

Features

- Includes Malleco™ pull-down kitchen faucet with soap/lotion dispenser in Vibrant Stainless
- 1.8 gpm (6.8 lpm) maximum flow rate at 60 psi (4.14 bar)
- Faucet meets NSF 61 and NSF 372
- Includes top-filled soap/lotion dispenser
- Includes sink drain and strainer
- One faucet hole with one accessory hole to the right
- 9-1/2" (241 mm) depth provides generous workspace
- Matte finish offers rich, dimensional color
- Sink drain with strainer sold separately

Material

- KOHLER Neoroc® composite is durable and built to withstand day-to-day cleaning tasks
- Solid color throughout the sink
- Heat-resistant up to 750°F
- Scratch-, stain-, chip-, and thermal-shock-resistant

Installation

- Cutout templates included
- Top-mount or undermount
- 36" minimum base cabinet width for undermount or top-mount installation

Recommended Products/Accessories

- K-8801 Sink drain and strainer with tailpiece
- K-8799 Sink drain and strainer basket
- K-23726 Drain treatment
- K-23725 Cast iron cleaner

Optional Products/Accessories

- K-11352 Disposal Flange with Stopper

Included Components

- 7400 Stainless Steel Sink Drain and Strainer
- K-R562-SD Pull-down kitchen sink faucet with two-function sprayhead



Codes/Standards

ASME A112.18.1/CSA B125.1
CSA B45.5/IAPMO Z124
NSF/ANSI/CAN 61
NSF/ANSI/CAN 372
All applicable US Federal and State material regulations
DOE - Energy Policy Act 1992
California Energy Commission (CEC)
IAPMO Certification

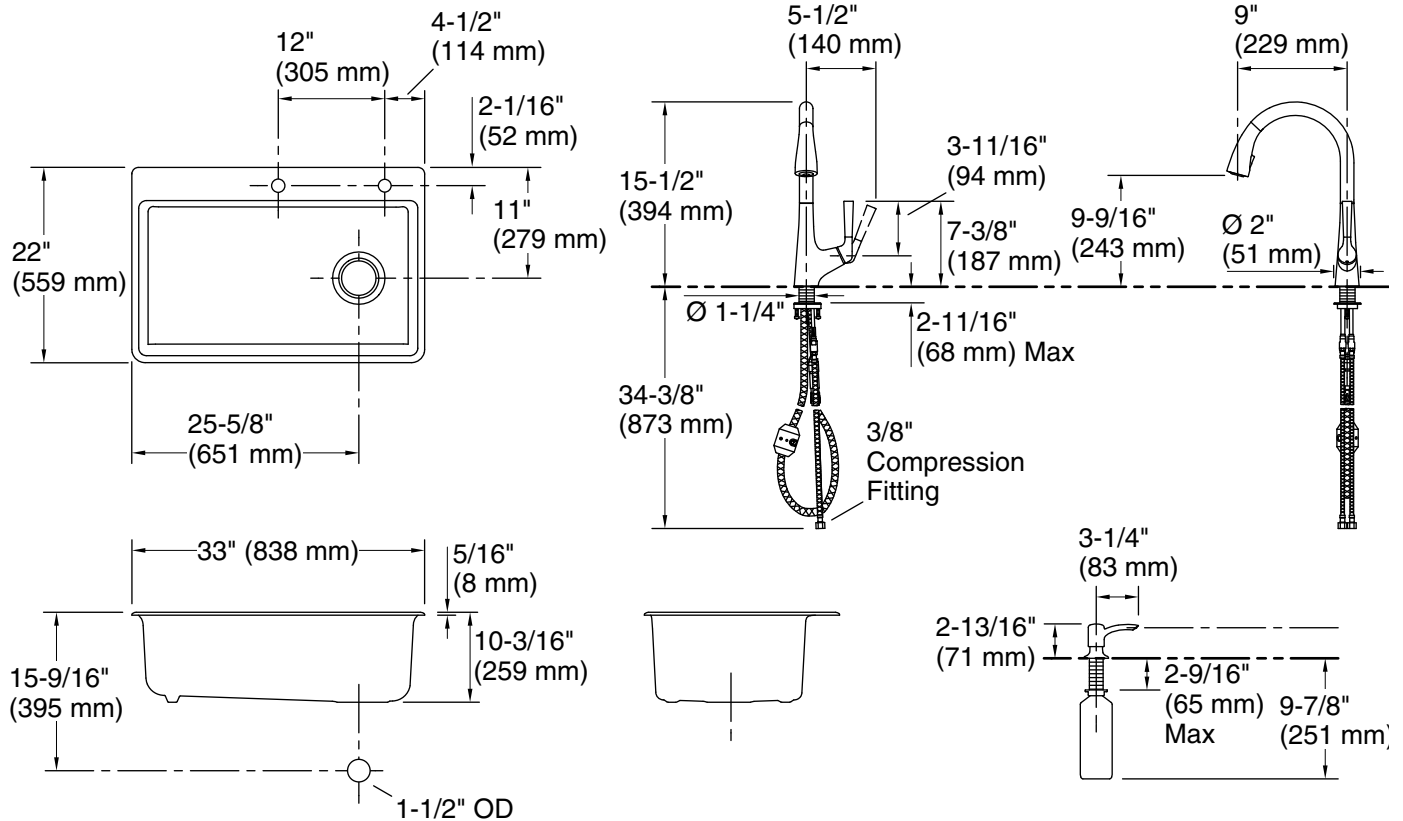
KOHLER® Neoroc® Sinks Lifetime Limited Warranty

See website for detailed warranty information.

Available Colors/Finishes

Color tiles intended for reference only.

Color	Code	Description
■	CM1	Matte Black



Technical Information

All product dimensions are nominal.

Bowl configuration:	Single
Min. base cabinet width:	36" (914 mm)
Bowl area:	Length: 30-1/8" (765 mm) Width: 16-15/16" (430 mm) Bowl depth: 9-1/2" (241 mm) Water depth: 9-1/2" (241 mm)
Number of deck holes:	2
Drain hole:	3-7/8" (98 mm)
Template:	1281757-7, required, included

Notes

Install this product according to the installation instructions.

NOTICE: Countertop manufacturer or cutter must use the cut-out template provided with the product, or a current one provided by Kohler Co. (call 1-800-4-KOHLER). Kohler Co. is not responsible for cutout errors when the incorrect cut-out template is used.