

## Features

- Single lever handle is simple to use and makes adjusting water temperature easy
- High-arch swivel spout and 360° spout rotation offer superior clearance for filling pots and cleaning
- Two-function pull-down sprayhead allows you to switch from aerated stream to Sweep® spray
- Sweep® spray features specially angled nozzles that form a wide, powerful blade of water to sweep your dishes and sink clean
- MasterClean™ sprayface features an easy-to-clean surface that withstands mineral buildup and maximizes spray performance
- Includes soap/lotion dispenser
- KOHLER® ceramic disc valves exceed industry longevity standards for a lifetime of durable performance
- 1.5 gpm (5.7 lpm) maximum flow rate at 60 psi (4.14 bar)
- DockNetik® secure docking system locks sprayhead into place when not in use

## Material

- KOHLER® finishes resist corrosion and tarnishing
- Premium metal construction for durability and reliability

## Installation

- Installs with 1-, 2-, 3-, or 4- hole sink (escutcheon plate included)
- Flexible supply lines and installation ring simplify installation

## Recommended Products/Accessories

K-23723 Faucet cleaner



**ADA** **CSA B651**

## Codes/Standards

ASME A112.18.1/CSA B125.1

NSF/ANSI/CAN 61

NSF/ANSI/CAN 372

All applicable US Federal and State material regulations

DOE - Energy Policy Act 1992

California Energy Commission (CEC)

ADA

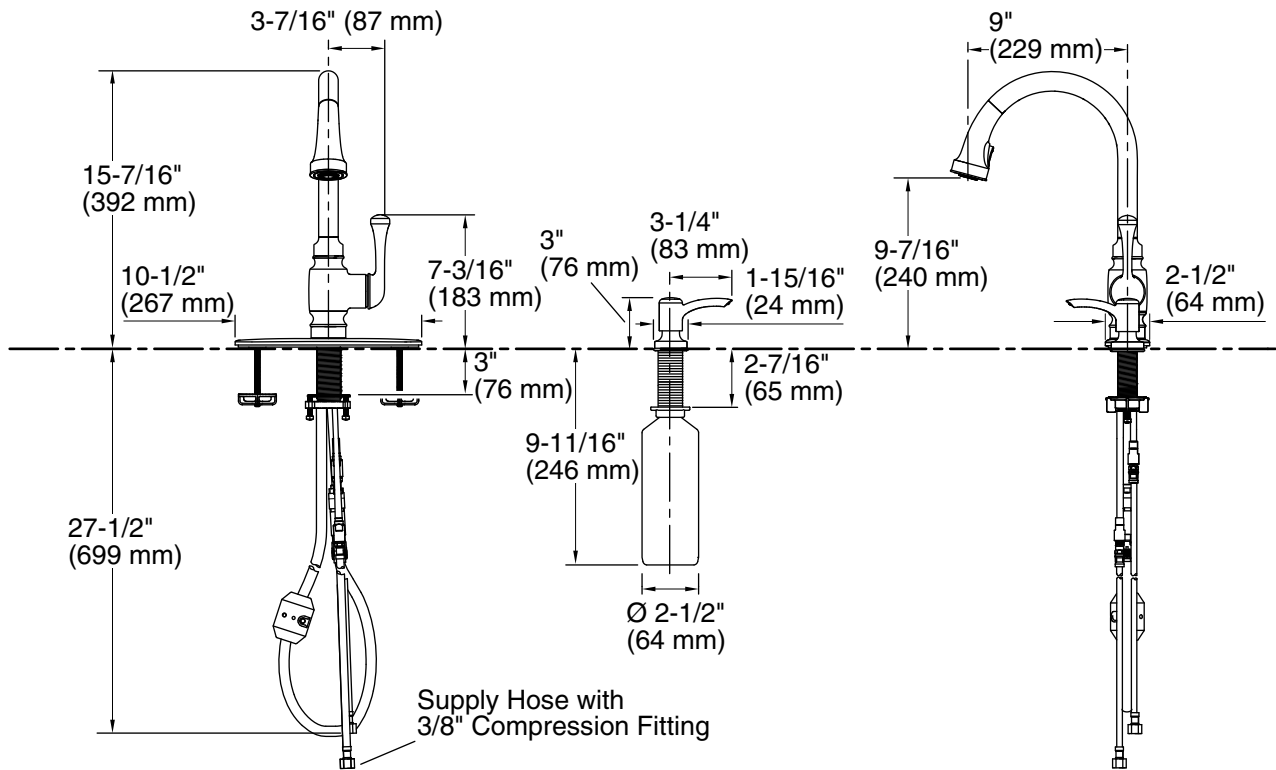
ICC/ANSI A117.1

CSA B651

IAPMO Certification

## KOHLER® Faucet Lifetime Limited Warranty

See website for detailed warranty information.



## Technical Information

All product dimensions are nominal.

### Faucet:

Flow rate: 1.5 gal/min (5.7 l/min)

## Notes

Install this product according to the installation guide.

Faucet contains all necessary parts for 1-, 2-, 3-, or 4-hole installations.

ADA complaint for faucet handles only.

ADA, CSA B651 compliant when installed to the specific requirements of these regulations.