

#### Features

- Single lever handle is simple to use and makes adjusting water temperature easy
- MasterClean™ sprayface features an easy-to-clean surface that withstands mineral buildup and maximizes spray performance
- Includes soap/lotion dispenser
- KOHLER® ceramic disc valves exceed industry longevity standards for a lifetime of durable performance
- ProMotion® technology's light, quiet braided hose and swiveling ball joint make the pull-out sprayhead easier and more comfortable to use
- 1.5 gpm (5.7 lpm) maximum flow rate at 60 psi (4.14 bar)

#### Material

- KOHLER® finishes resist corrosion and tarnishing
- Premium metal construction for durability and reliability

#### Installation

- Installs with 1-, 2-, 3-, or 4- hole sink (escutcheon plate included)
- Flexible supply lines and installation ring simplify installation
- Two-function pullout sprayhead with touch-control allows you to switch from stream to spray

#### Recommended Products/Accessories

K-23723 Faucet cleaner



ADA CSA B651

#### Codes/Standards


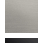

ASME A112.18.1/CSA B125.1  
NSF/ANSI/CAN 61  
NSF/ANSI/CAN 372  
All applicable US Federal and State material regulations  
DOE - Energy Policy Act 1992  
California Energy Commission (CEC)  
ADA  
ICC/ANSI A117.1  
CSA B651  
IAPMO Certification

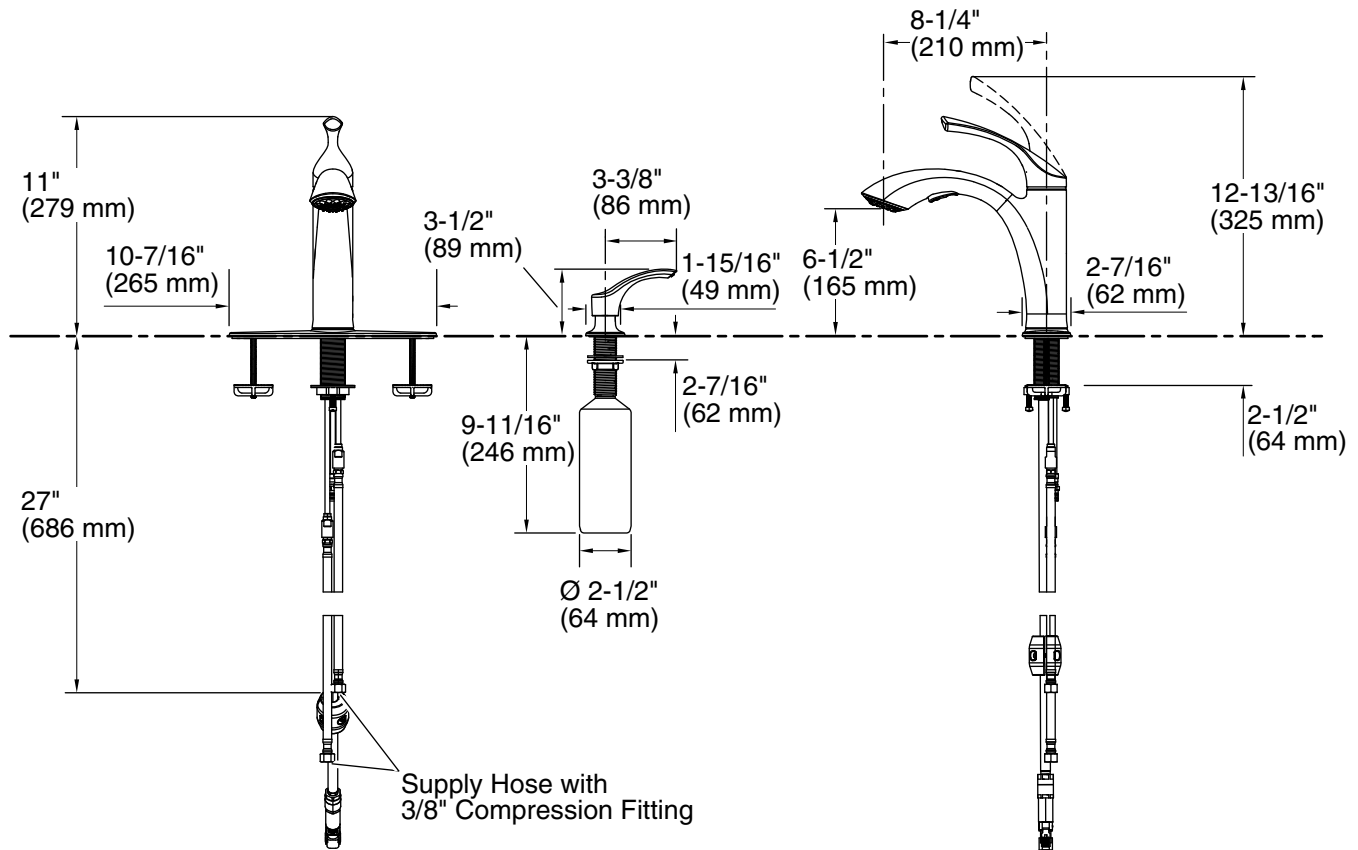
#### KOHLER® Faucet Lifetime Limited Warranty

See website for detailed warranty information.

#### Available Colors/Finishes

*Color tiles intended for reference only.*

Color	Code	Description
	CP	Polished Chrome
	VS	Vibrant® Stainless
	BL	Matte Black



### Technical Information

All product dimensions are nominal.

#### Faucet:

Flow rate: 1.5 gal/min (5.7 l/min)

Pressure: 60 psi (4.1 bar)

#### Spout:

Spout reach: 8-1/4" (210 mm)

### Notes

Install this product according to the installation guide.

Faucet contains all necessary parts for both single-hole and three-hole installations.

ADA compliant for faucet handles only.

ADA, CSA B651 compliant when installed to the specific requirements of these regulations.