

### Features

- Metal construction
- One-piece, self-contained ceramic disc valve allows both volume and temperature control
- High-temperature limit setting for added safety
- Remote valve
- Three-function sprayhead with spray, aerated stream, and pause settings
- Flexible supplies
- 9" (229 mm) spout reach
- Soap dispenser
- 360° spout rotation
- 1.8 gpm (6.8 lpm) maximum flow rate at 60 psi (4.14 bar)

### Recommended Products/Accessories

K-23723 Faucet cleaner

### Optional Products/Accessories

1167289 1.5 GPM [5.7 l/min] Low Flow Kit  
1167290 2.2 GPM (8.3 l/min) Low Flow Kit



**ADA**

**CSA B651**

### Codes/Standards

ASME A112.18.1/CSA B125.1

NSF/ANSI/CAN 61

NSF/ANSI/CAN 372

All applicable US Federal and State material regulations

DOE - Energy Policy Act 1992

California Energy Commission (CEC)

ADA

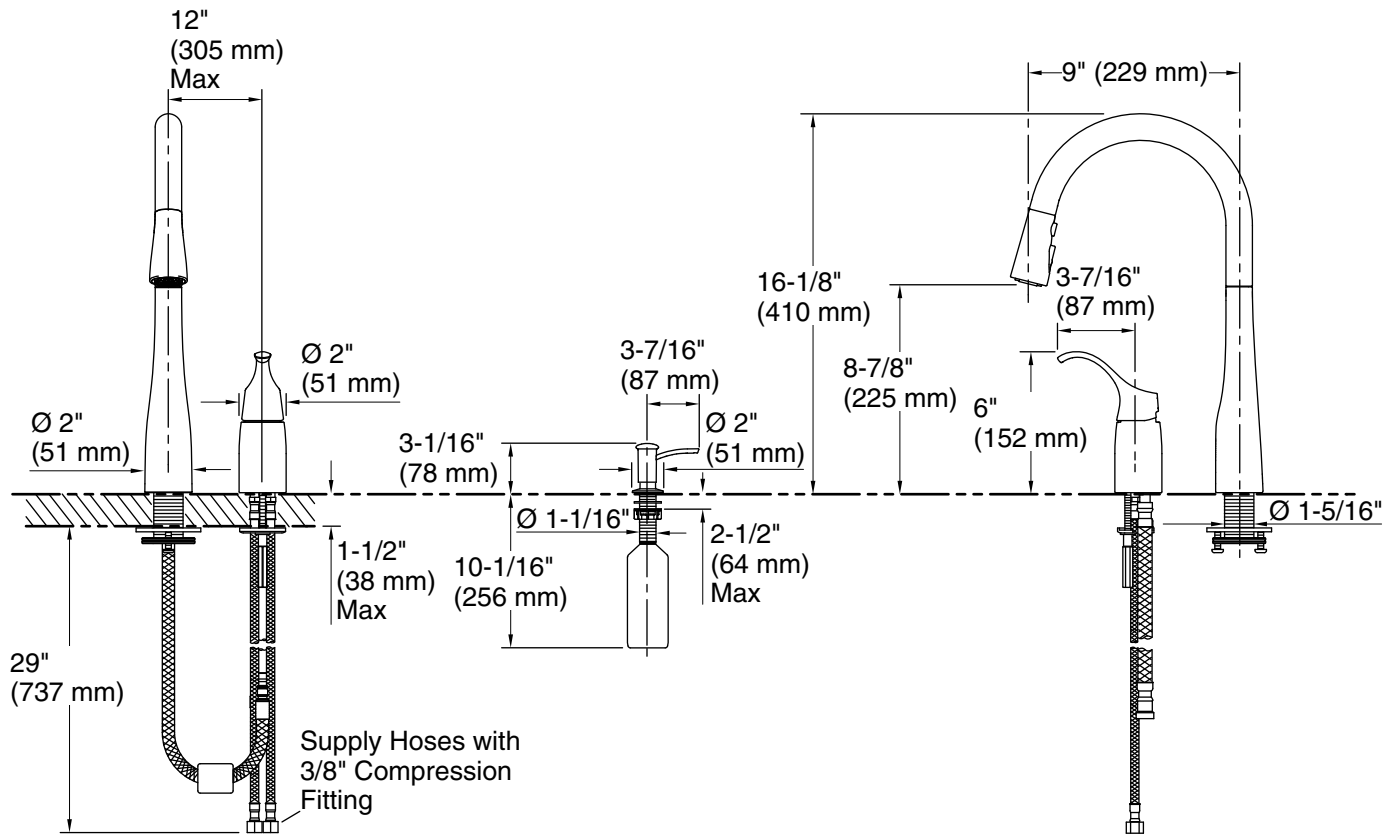
ICC/ANSI A117.1

CSA B651

IAPMO Certification

### KOHLER® Faucet Lifetime Limited Warranty

See website for detailed warranty information.



### Technical Information

All product dimensions are nominal.

#### Faucet:

Flow rate: 1.75 gal/min (6.6 l/min)

#### Spout:

Spout reach: 9" (229 mm)

### Notes

Install this product according to the installation guide.

ADA complaint for faucet handles only.

ADA, CSA B651 compliant when installed to the specific requirements of these regulations.