

### Features

- One piece, self-contained ceramic disc valve allows both volume and temperature control.
- Temperature memory allows faucet to be turned on and off at any temperature setting.
- High-temperature limit setting for added safety.
- Remote valve.
- Three-function sprayhead with spray, aerated stream, and pause settings.
- Flexible supplies.
- 9" (229 mm) spout reach.
- Soap dispenser.
- 360° spout rotation.

### Material

- Metal construction.
- 1.8 gpm (6.8 lpm) maximum flow rate at 60 psi (4.1 bar).

### Recommended Products/Accessories

K-23723 Faucet cleaner

### Optional Products/Accessories

1167289 1.5 GPM [5.7 l/min] Low Flow Kit

1167290 2.2 GPM (8.3 l/min) Low Flow Kit



ADA CSA B651

### Codes/Standards

ASME A112.18.1/CSA B125.1

NSF/ANSI 61

NSF/ANSI 372

All applicable US Federal and State material regulations

DOE - Energy Policy Act 1992

California Energy Commission (CEC)

ADA

ICC/ANSI A117.1

CSA B651

### KOHLER® Faucet Lifetime Limited Warranty

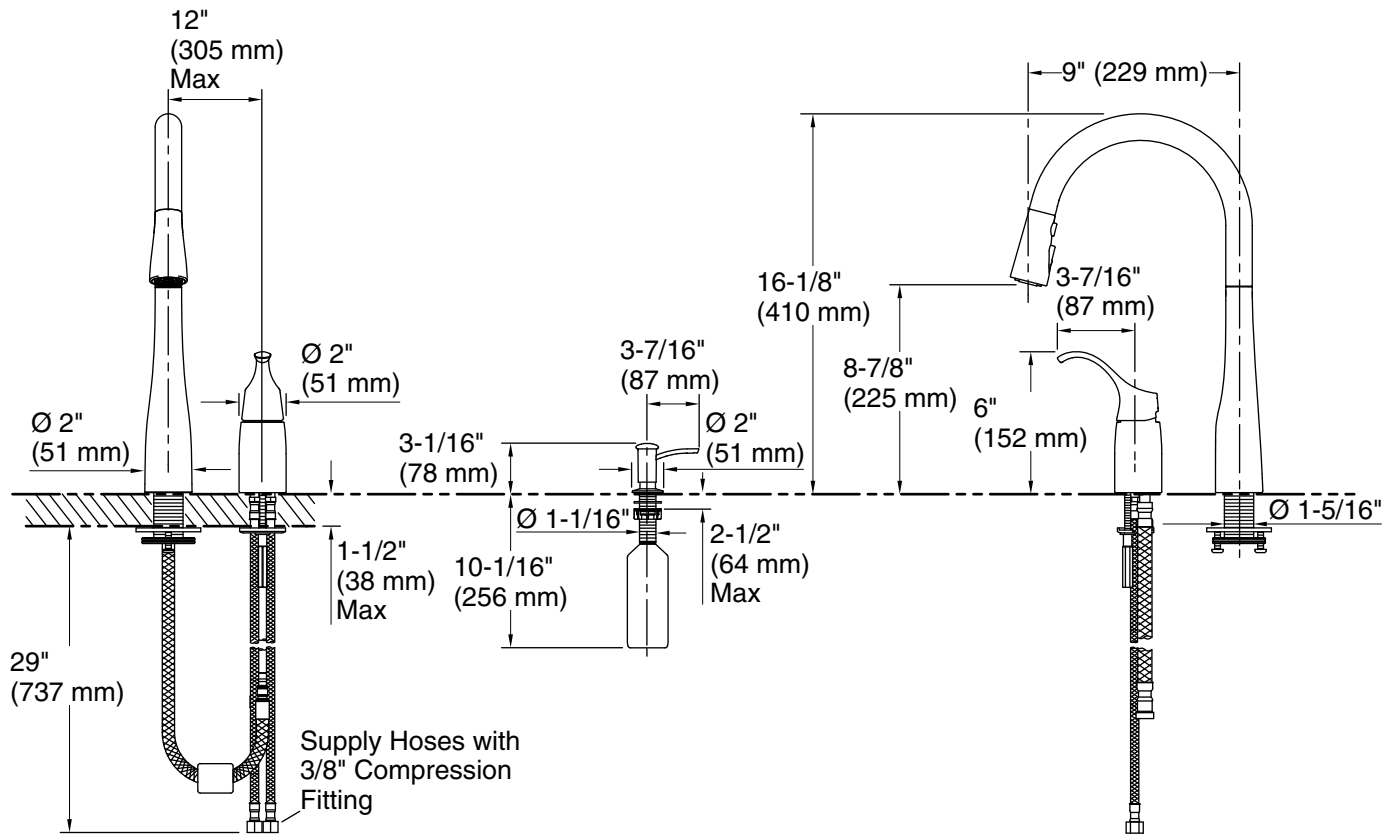
See website for detailed warranty information.

### Available Colors/Finishes

*Color tiles intended for reference only.*

Color	Code	Description
-------	------	-------------

	VS	Vibrant® Stainless
--	----	--------------------



### Technical Information

All product dimensions are nominal.

#### Spout:

Spout reach: 9" (229 mm)

### Notes

Install this product according to the installation guide.

ADA, CSA B651 compliant when installed to the specific requirements of these regulations.