

KOHLER® Faucets **Maxton®** Touchless pull-down kitchen faucet w/ soap dispenser **K-R26281-SD**

Features

- Response® technology provides reliable touchless on/off operation through a state-of-the-art sensor that responds in 20 milliseconds
- Powered by six AA batteries. AC power adapter is also available (sold separately)
- Sweep® spray features specially angled nozzles that form a wide, powerful blade of water to sweep your dishes and sink clean
- MasterClean™ sprayface features an easy-to-clean surface that withstands mineral buildup and maximizes spray performance
- High-arch spout offers vertical clearance for tall cookware and pitchers
- Two-function pull-down sprayhead allows you to switch from aerated stream to Sweep® spray
- Temperature memory allows faucet to be turned on and off at the temperature set during prior usage
- KOHLER® ceramic disc valves exceed industry longevity standards for a lifetime of durable performance
- 1.5 gpm (5.7 lpm) maximum flow rate at 60 psi (4.14 bar)
- Box includes: Assembled faucet, supply lines, escutcheon plate, soap/lotion dispenser
- DockNetik® secure docking system locks sprayhead into place when not in use

Material

- Premium metal construction for durability and reliability
- Select KOHLER finishes feature ScratchShield® technology which withstands even the toughest daily use

Installation

- Installs with 1-, 2-, 3-, or 4-hole sinks (escutcheon plate included)
- Flexible supply lines and quick-connect fittings simplify installation
- Longer shank works with countertops up to 2½" inches thick and is easy to install.

Recommended Products/Accessories

- K-23723 Faucet cleaner
- K-R78184 AC power adapter for touchless kitchen faucets



ADA **CSA B651**

Codes/Standards


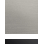

ASME A112.18.1/CSA B125.1
 NSF/ANSI/CAN 61
 NSF/ANSI/CAN 372
 All applicable US Federal and State material regulations
 DOE - Energy Policy Act 1992
 California Energy Commission (CEC)
 ADA
 ICC/ANSI A117.1
 CSA B651
 IAPMO Certification

KOHLER® Electronic Faucets, Valves, and Controls Five-Year Limited Warranty

See website for detailed warranty information.

Available Colors/Finishes

Color tiles intended for reference only.

| Color | Code | Description |
|---|------|--------------------|
|  | CP | Polished Chrome |
|  | VS | Vibrant® Stainless |
|  | BL | Matte Black |

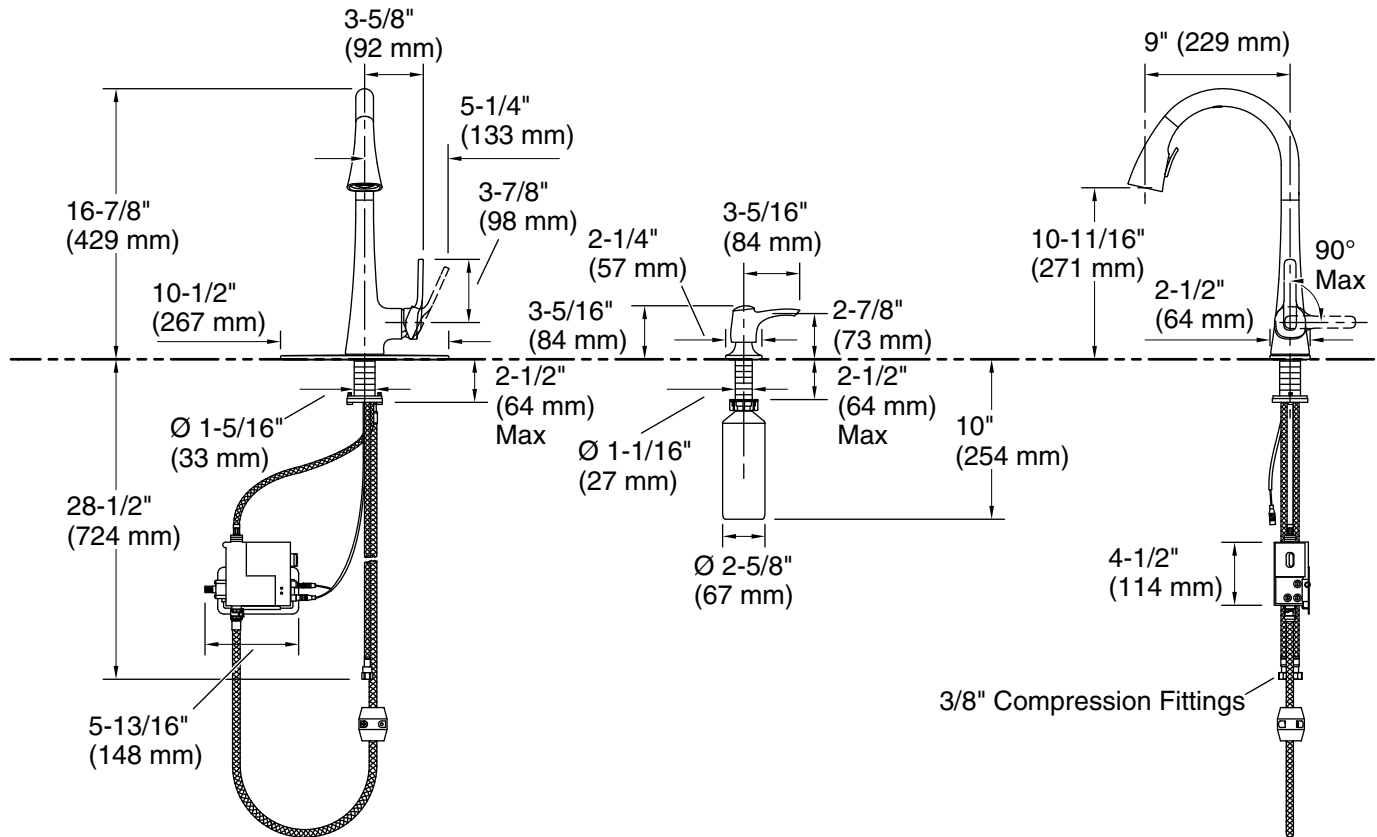
1-800-4KOHLER (1-800-456-4537)

Kohler Co. reserves the right to make revisions without notice to product specifications.

For the most current Specification Sheet, go to www.kohler.com USA or www.kohler.ca Canada

6-23-2024 21:03 - US

THE BOLD LOOK
OF **KOHLER®**



Technical Information

All product dimensions are nominal.

Power source: Battery - DC, included

Faucet:

Flow rate: 1.5 gal/min (5.7 l/min)

Pressure: 60 psi (4.1 bar)

Notes

Install this product according to the installation instructions.

ADA complaint for faucet handles only.

ADA, CSA B651 compliant when installed to the specific requirements of these regulations.