

### Features

- Advanced spray engine provides three alternate experiences: wide coverage, intense drenching, and targeted spray
- Wide coverage spray produces an encompassing spray for everyday use
- Intense drenching spray delivers a forceful spray ideal for rinsing shampoo from hair
- Targeted spray is a focused stream for targeting sore muscles or use as a utility spray
- Pause feature temporarily pauses water flow to conserve water while you lather, shave, or shampoo
- Thumb tab allows for a smooth transition between sprays
- MasterClean™ sprayface features an easy-to-clean surface that withstands mineral buildup and maximizes spray performance
- 2.5 gpm (9.5 lpm) maximum flow rate at 45 psi (3.1 bar)
- 36" (914 mm) sidebar features adjustable mounting brackets for installation flexibility
- 60" (1524 mm) hose length
- Pause feature temporarily pauses water flow to conserve water while you lather, shave, or shampoo

### Material

- Durable material construction
- KOHLER® finishes resist corrosion and tarnishing

### Installation

- Wall-mount

### Recommended Products/Accessories

K-30646 Shower filter  
K-30647 Shower filter replacement  
K-23723 Faucet cleaner

### Optional Products/Accessories

K-98350 wall-mount supply elbow  
K-98351 wall-mount supply elbow with check valve



### Codes/Standards




ASME A112.18.1/CSA B125.1  
DOE - Energy Policy Act 1992  
IAPMO Certification

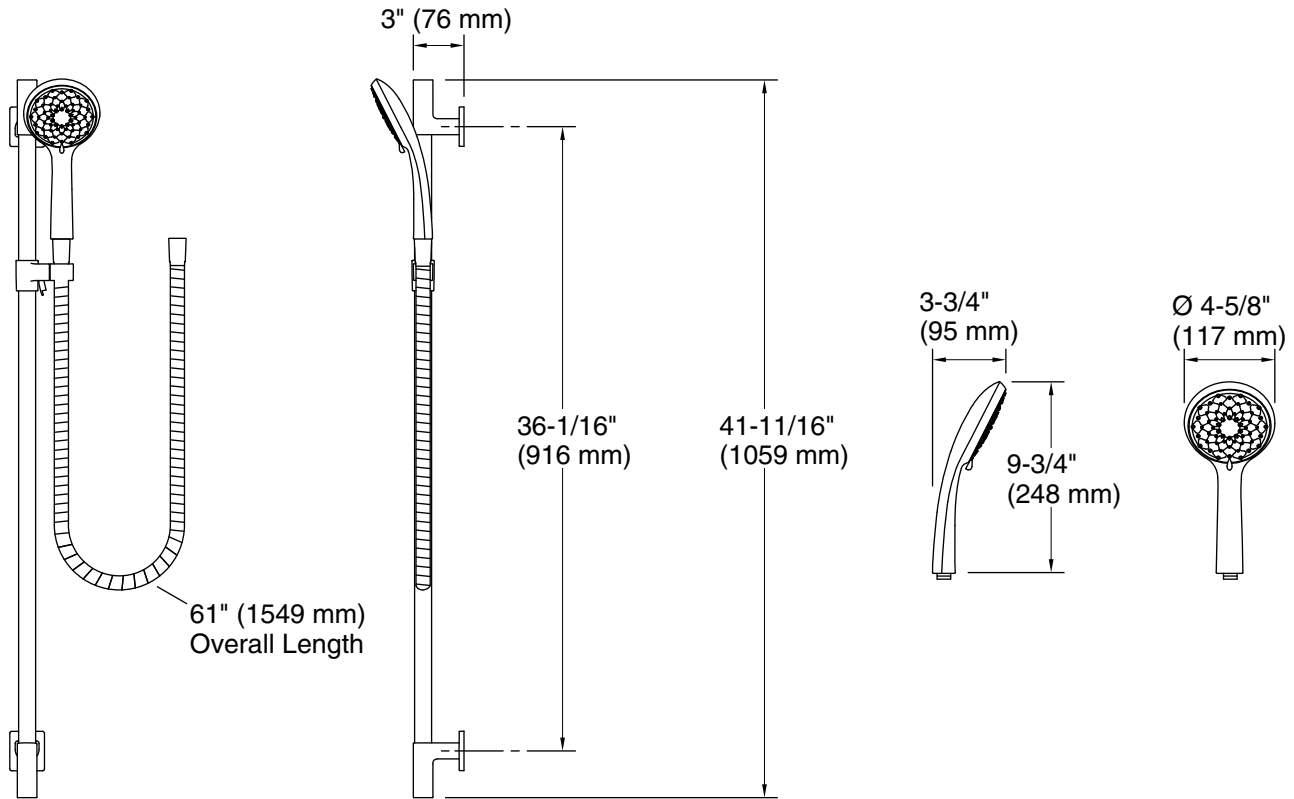
### KOHLER® Faucet Lifetime Limited Warranty

See website for detailed warranty information.

### Available Colors/Finishes

*Color tiles intended for reference only.*

| Color   | Code | Description             |
|---|------|-------------------------|
|  | CP   | Polished Chrome         |
|  | BN   | Vibrant® Brushed Nickel |
|  | 2BZ  | Oil-Rubbed Bronze       |



**Technical Information**

All product dimensions are nominal.

Drain included: No

**Handshower:**

Rated maximum flow: 2.5 gal/min (9.5 l/min)

Pressure: 45 psi (3.1 bar)

**Notes**

Install this product according to the installation instructions.

Plumbing codes require approved backflow prevention devices to be installed in-line to handshowers. Please consult with local plumbing officials.

**IMPORTANT!** The sidebar must be mounted to stud framing at both the top and bottom mounting locations. Do not use or depend on plastic wall anchors to attach the sidebar.