

Features

- Compact, streamlined one-piece smart toilet with integrated personal cleansing
- Compact elongated bowl offers added comfort while requiring less space
- Comfort Height® feature offers chair-height seating that makes sitting down and standing up easier for most adults
- Dual-flush offers a choice of 1.0 or 1.28 gpf (3.4 or 4.8 lpf)
- Fully skirted trapway simplifies cleaning
- Patented ReadyLock® installation system, a simple solution for skirted toilets, saves time, hassle, and eliminates the need to drill into the floor for standard 12" (305 mm) rough-in
- Quiet-Close™ elongated lid and seat prevents slamming
- Stainless steel wand offers adjustable spray shape, position, water pressure, temperature, pulsate, and oscillate functions
- Front and rear wash modes provide warm water for cleansing
- Motion-activated, hands-free opening/closing of cover
- Heated seat with adjustable temperature settings
- Warm-air drying system
- Automatic deodorization system
- LED lighting illuminates the bowl to serve as a nightlight
- Power-save mode monitors usage and adjusts heated seat settings to save energy
- Automatic flushing after every use; flush can also be controlled by the remote control or backup button

Installation

- Standard 12" (305 mm) rough-in
- Requires dedicated electrical GFCI circuit (120 V, 15 A, 60 Hz)



ADA	CSA B651	OBC
-----	----------	-----

Codes/Standards

ASME A112.19.2/CSA B45.1
 ASME A112.4.2/CSA B45.16
 ASME A112.19.14
 DOE - Energy Policy Act 1992
 EPA WaterSense®
 California Energy Commission (CEC)
 UL 1951
 CSA C22.2 No. 14
 CSA C22.2 No. 68
 ADA
 ICC/ANSI A117.1
 CSA B651
 OBC
 IAPMO Certification
 cUL Listed

KOHLER® Intelligent Toilet and C3® Cleansing Seat Three-Year Limited Warranty

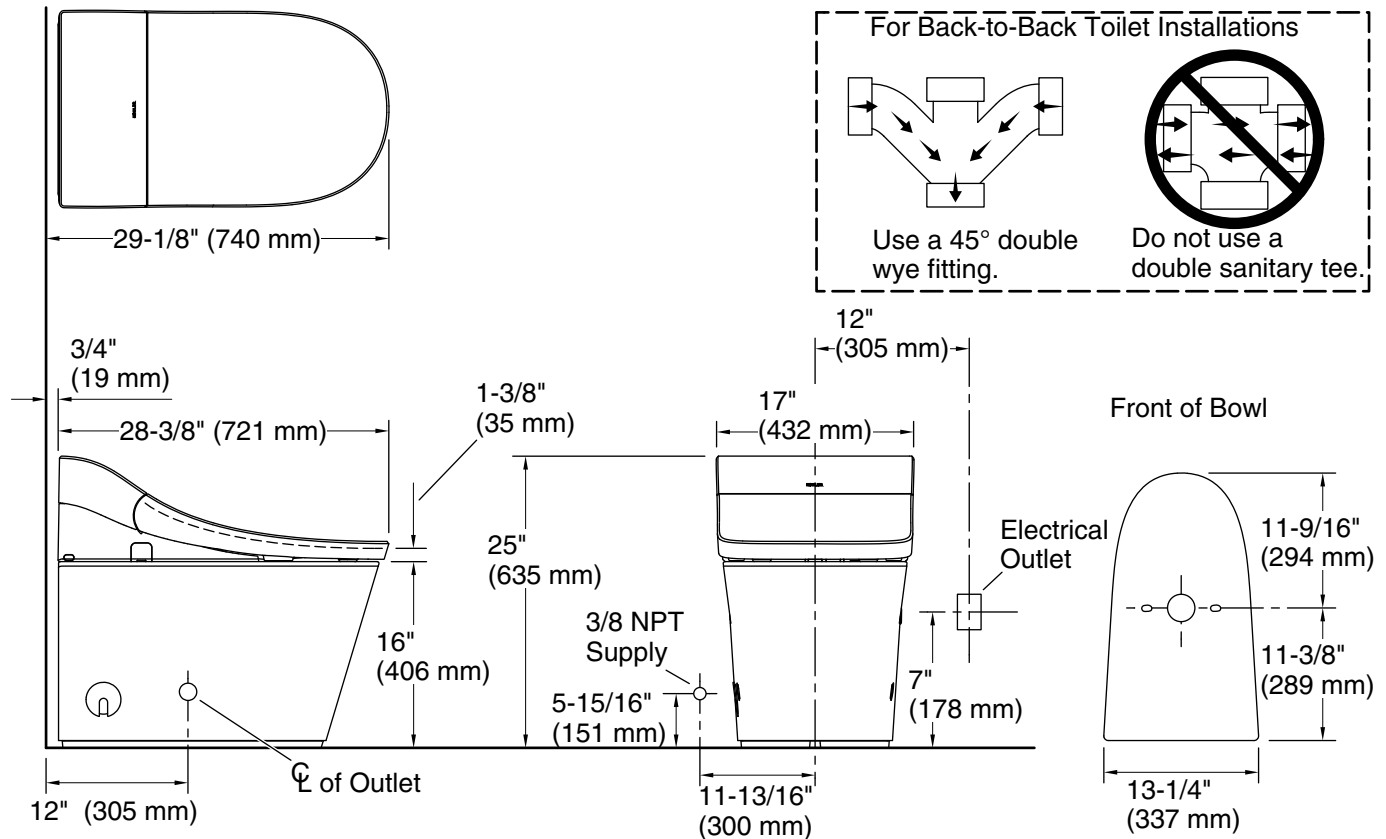
See website for detailed warranty information.

Available Colors/Finishes

Color tiles intended for reference only.

Color	Code	Description
-------	------	-------------

	0	White
---	---	-------



Required Electrical Service

One dedicated circuit required, protected with Class A Ground-Fault Circuit-Interrupter (GFCI). Outside North America, this device may be known as a Residual Current Device (RCD).

120 V, 15 A, 60 Hz

Technical Information

All product dimensions are nominal.

Toilet type:	Floor-mount
Waste Outlet:	Floor
Bowl shape:	Elongated
Flush type:	Dual-Flush Technology
Seat hinge type:	Self-raising
Trap passageway:	1-15/16" (49 mm)
Rim to water surface:	5-1/4" (133 mm)
Rough-in:	12" (305 mm)

Notes

Install this product according to the installation instructions.

Install this product according to the installation instructions.

ADA, OBC, CSA B651 compliant when installed to the specific requirements of these regulations.

Plumbing codes may require elongated toilets and elongated, open-front seats in public bathrooms.

Accessibility standards may require controls to be located on the open side of the toilet.