

Features

- Metal construction
- Vintage artisan-inspired top-mount handle provides a unique statement to any bathroom
- KOHLER® ceramic disc valves exceed industry longevity standards for a lifetime of durable performance
- High-temperature limit setting for added safety
- Includes clicker drain with 1-1/4" (32 mm) metal tailpiece
- Coordinates with other faucets and accessories in the Artifacts collection
- 1.2 gpm (4.5 lpm) maximum flow rate at 60 psi (4.14 bar)
- Tall height is ideal for vessel-style sinks

Material

- KOHLER® finishes resist corrosion and tarnishing

Installation

- Single-hole mounting

Recommended Products/Accessories

- K-23726 Drain treatment
- K-23723 Faucet cleaner
- K-72567 18" Towel Bar
- K-72568 24" Towel Bar
- K-72570 24" Double Towel Bar
- K-72571 Towel Ring
- K-72572 Robe Hook
- K-72573 Pivoting toilet paper holder
- K-72576 Toilet paper carriage



Codes/Standards

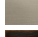
- ASME A112.18.1/CSA B125.1
- NSF/ANSI/CAN 61
- NSF/ANSI/CAN 372
- All applicable US Federal and State material regulations
- DOE - Energy Policy Act 1992
- EPA WaterSense®
- California Energy Commission (CEC)
- IAPMO Certification

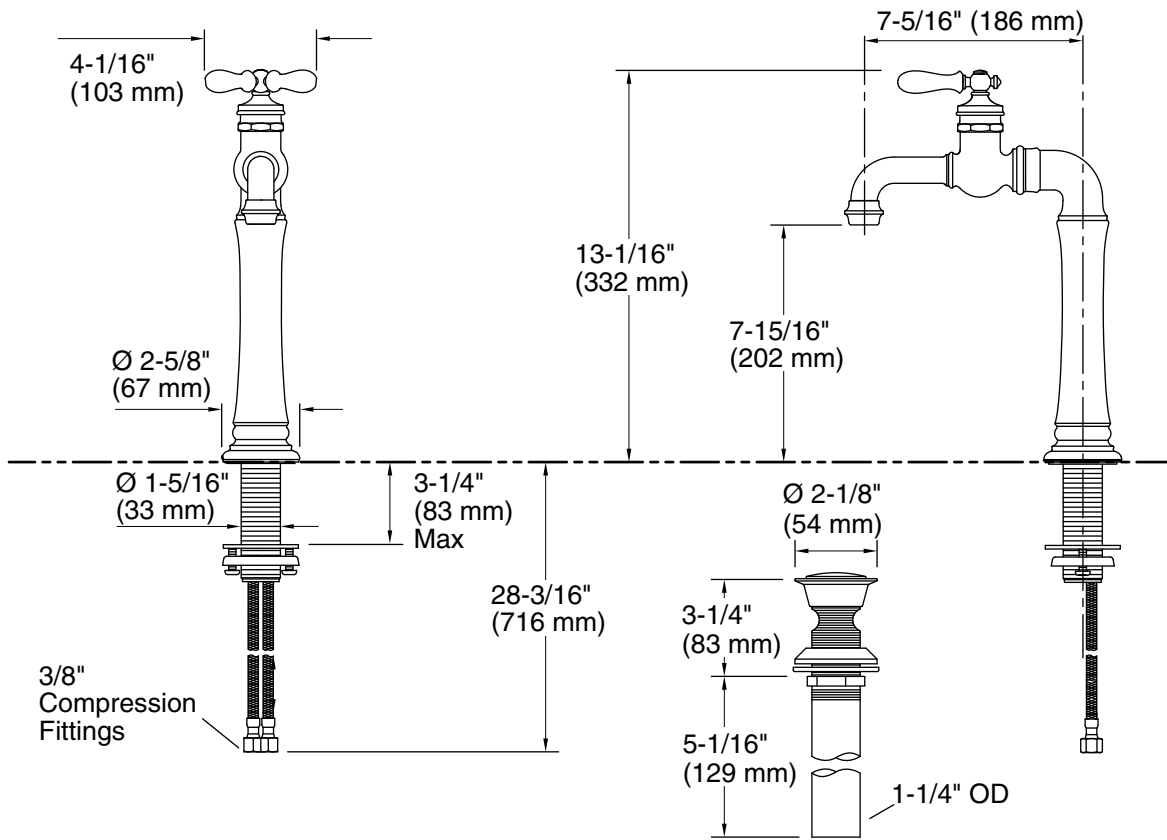
KOHLER® Faucet Lifetime Limited Warranty

See website for detailed warranty information.

Available Colors/Finishes

Color tiles intended for reference only.

Color	Code	Description
	CP	Polished Chrome
	SN	Vibrant® Polished Nickel
	BN	Vibrant® Brushed Nickel
	BV	Vibrant® Brushed Bronze
	2BZ	Oil-Rubbed Bronze
	2MB	Vibrant® Brushed Moderne Brass



Technical Information

All product dimensions are nominal.

Faucet:

Flow rate: 1.2 gal/min (4.5 l/min)

Pressure: 60 psi (4.1 bar)

Drain included: Yes

Drain with overflow: Yes

Spout:

Spout reach: 7-5/16" (186 mm)

Notes

Install this product according to the installation instructions.

For new installations, assemble the faucet to the sink before installing the sink.