



**Whitehaven® Hayridge®**  
29-11/16" undermount single-bowl farmhouse kitchen  
sink  
**K-7251**

**Features**

- Textured ridge design on apron-front
- Fits minimum 30" (762 mm) apron sink base cabinet
- Single bowl
- 9" (229 mm) depth provides generous workspace
- Self-Trimming® apron overlaps cabinet face for easy installation and beautiful results
- Bowl slopes toward drain to minimize water pooling
- Offset drain increases workspace in the sink and storage space underneath

**Material**

- KOHLER® enameled cast iron

**Installation**

- Cutout templates included
- Undermount

**Recommended Products/Accessories**

- K-6638 Sink racks for 30" Whitehaven kitchen sink
- K-8801 Sink drain and strainer with tailpiece
- K-8799 Sink drain and strainer basket
- K-23726 Drain treatment
- K-23725 Cast iron cleaner

**Optional Products/Accessories**

- K-11352 Disposal Flange with Stopper
- K-9000 P-Trap



**Codes/Standards**

ASME A112.19.1/CSA B45.2  
IAPMO Certification

**KOHLER® Enameled Cast Iron  
Kitchen and Bathroom Sink Lifetime  
Limited Warranty**

See website for detailed warranty information.

**Available Colors/Finishes**

*Color tiles intended for reference only.*

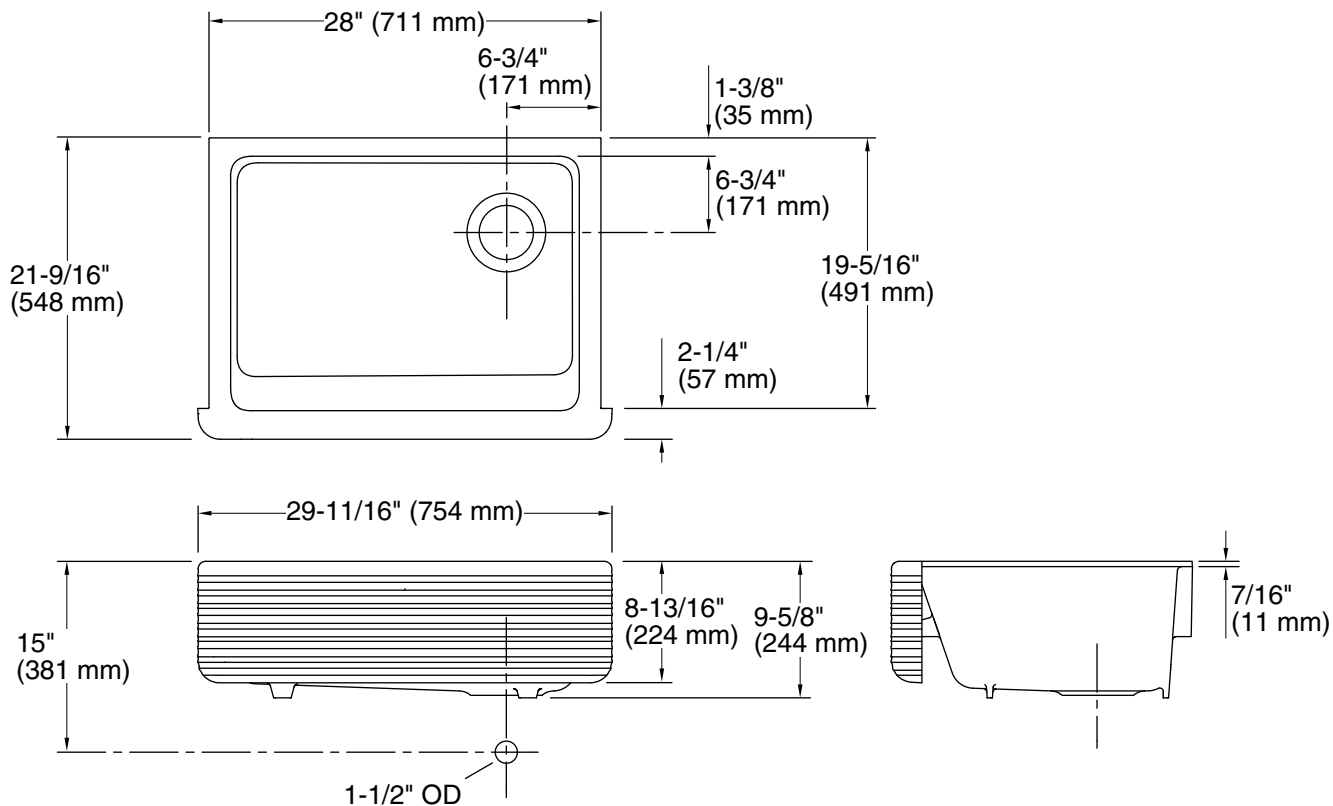
**Color Code Description**

	0	White
---	---	-------



# Whitehaven® Hayridge®

29-11/16" undermount single-bowl farmhouse kitchen sink  
sink  
K-7251



## Technical Information

All product dimensions are nominal.

Bowl configuration: Single

Min. base cabinet width: 30" (762 mm)

Bowl area (Only): Length: 24-3/4" (629 mm)  
Width: 18-1/16" (459 mm)  
Bowl depth: 9" (229 mm)

Drain hole: 3-5/8" (92 mm)

Template: 1156909-7, required, included  
1157000, required, included

## Notes

Install this product according to the installation instructions.

**IMPORTANT!** The distance from the top edge of the cabinet to the top of the cabinet door must be at least 9" (229 mm) to install this sink.

**NOTICE:** Countertop manufacturer or cutter must use the cut-out template provided with the product, or a current one provided by Kohler Co. (call 1-800-4-KOHLER). Kohler Co. is not responsible for cutout errors when the incorrect cut-out template is used.