

Features

- Frameless design emphasizes glass and creates a sleek, minimalist look
- Dual sliding barn door style
- Cushioned center guide provides smooth, quiet sliding action
- Smooth, easy-to-clean wall jambs
- 16-1/4" (413 mm) vertical handles with 1/4" (6 mm) knob on opposite side for easy opening and closing
- CleanCoat®+ glass coating creates a hydrophobic barrier that repels water, soap scum, and residue, saving time and protecting shower doors 10 times longer than original CleanCoat. (Based on 2021 internal wear/abrasion testing using a microfiber cloth.)
- Innovative roller design simplifies installation and provides out-of-plumb adjustability while glass is installed

Material

- Frameless, heavy 5/16" (8 mm) thick Crystal Clear tempered glass
- Anodized aluminum prevents rust and corrosion

Installation

- Fits opening widths 54-5/8" – 59-5/8" (1387 – 1514 mm)
- Out-of-plumb adjustability simplifies installation
- For residential use only
- Not for use in hospitality



Codes/Standards


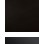



ANSI Z97.1
CAN/CGSB-12.1
CPSC 16CFR 1201

KOHLER® Bath and Shower Doors Ten-Year Limited Warranty

See website for detailed warranty information.

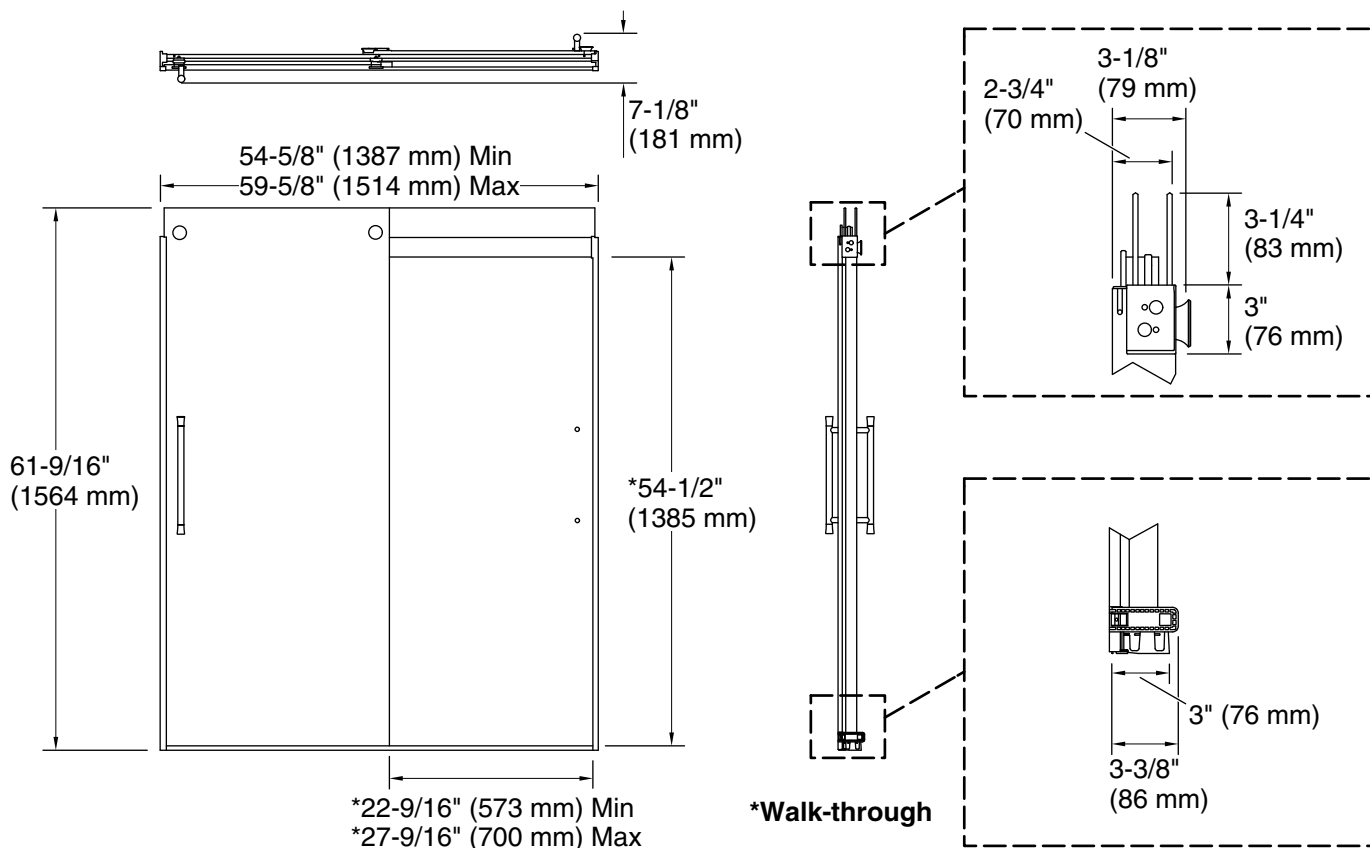
Available Colors/Finishes

Color tiles intended for reference only.

Color	Code	Description
	SHP	Bright Polished Silver
	ABZ	Anodized Dark Bronze
	BL	Matte Black
	BNK	Anodized Brushed Nickel
	2MB	Vibrant® Brushed Moderne Brass

Available Glass Options

Code	Description
L	Crystal Clear



Technical Information

All product dimensions are nominal.

Base-To-Wall	1/2" (13 mm)
Radius – Max:	
Shower Ledge Min	3" (76 mm)
Flat:	
Shower Wall Min	3-1/2" (89 mm)
Flat:	

Notes

Install this product according to the installation instructions.

If replacing a shower door, the narrow wall jamb design of this door may not cover the existing shower door holes.

The vertical opening should be a minimum of 63" (1600 mm) to allow for installation clearance.