

## Features

- Freestanding design creates a striking focal point in your bathing area
- Oval basin creates a spacious bathing experience
- Integral lumbar support on both ends
- 16" (406 mm) depth offers a deep soaking experience
- Wide deck along one side simplifies installation and provides support for getting in and out of bath
- Fluted shroud
- Textured bottom surface

## Material

- Acrylic

## Installation

- Center drain
- Freestanding

## Required Products/Accessories

- K-78438 30" cable bath drain
- K-T37391 Rotary-turn bath drain trim
- K-T37392 Rotary-turn bath drain trim

## Recommended Products/Accessories

- K-7265 Brass toe tap bath drain
- K-23726 Drain treatment
- K-23732 Tub & shower cleaner



## Codes/Standards

CSA B45.5/IAPMO Z124

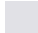
## KOHLER® Plastic Baths and Shower Bases Lifetime Limited Warranty

See website for detailed warranty information.

## Available Colors/Finishes

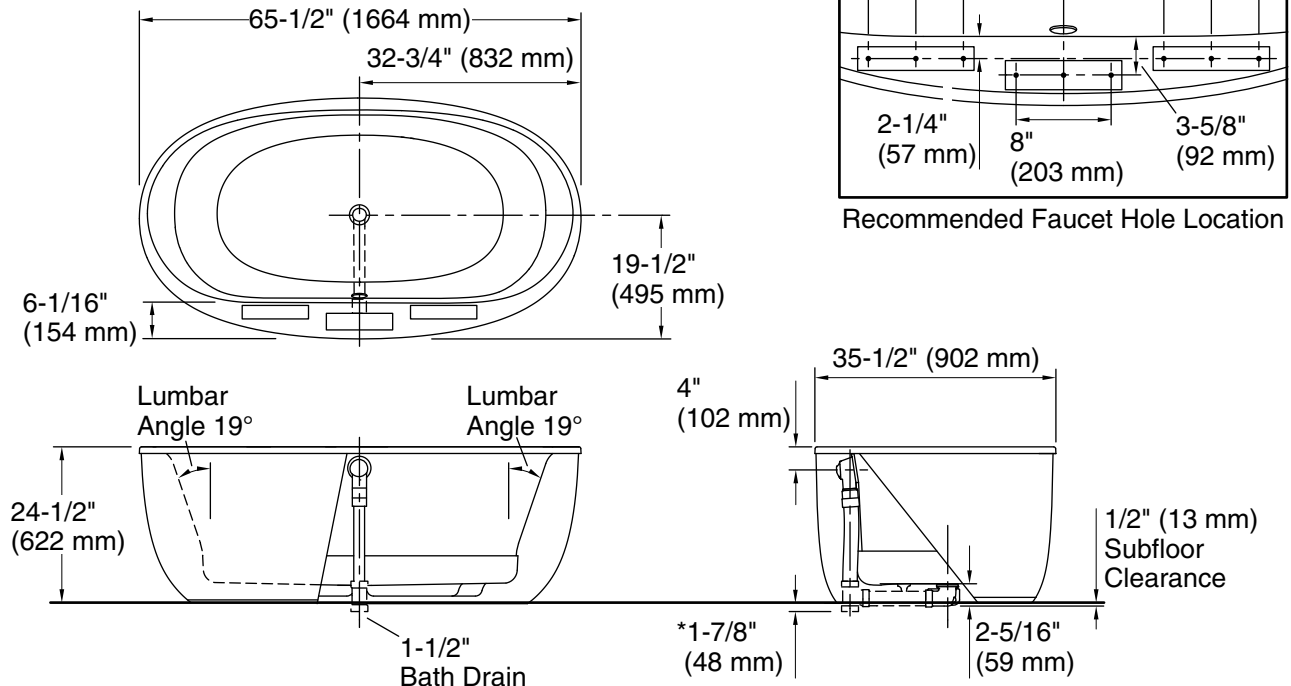
*Color tiles intended for reference only.*

| Color | Code | Description |
|-------|------|-------------|
|-------|------|-------------|

|   |   |       |
|---|---|-------|
|  | 0 | White |
|---|---|-------|

No change in measurements if connected with drain illustrated. (K-37385)

 Recommended Faucet Location



\*Allow for appropriate clearance in subfloor for drain tee clearance.  
Note: Horizontal PVC pipe and tee shown, not included.

### Technical Information

All product dimensions are nominal.

|                     |   |
|---------------------|---|
| Drain location:     | Center  |
| Basin area, bottom: | 45-3/4" x 24-7/8" (1162 mm x 632 mm)                |
| Basin area, top:    | 54-7/8" x 29-3/16" (1394 mm x 741 mm)               |
| Weight:             | 110 lbs (49.9 kg)                                   |
| Minimum floor load: | 40.4 lbs/ft <sup>2</sup> (197.3 kg/m <sup>2</sup> ) |
| Water depth:        | 15-3/4" (400 mm)                                    |
| Water capacity:     | 72.6 gal (274.8 L)                                  |
| Template:           | Footprint, 1245667, not required, not included      |

### Notes

Measure your actual product for rough-in details.

Install this product according to the installation instructions.

The hot water supply should be 70% of the capacity of the bath or greater. Installations will vary.

Do not support the load weight of the bath by the rim.

If installing a rim-mount faucet, make sure there is no interference above or below the deck before drilling any holes.