

Features

- 18" (457 mm) minimum base cabinet width
- Single bowl
- 9" (229 mm) depth provides generous workspace
- Rear drain increases workspace in the sink and allows for more storage space underneath the sink
- Includes a bottom sink rack and installation hardware
- Rounded 10mm corners are easy to clean

Material

- Handcrafted from 16-gauge stainless steel
- Premium 16-gauge stainless steel

Installation

- Undermount

Required Products/Accessories

K-11352 Disposal Flange with Stopper

or

K-8801 Sink drain and strainer with tailpiece

or

K-8799 Sink drain and strainer basket

Recommended Products/Accessories

K-23726 Drain treatment

K-23729 Stainless steel cleaner



ADA

Codes/Standards

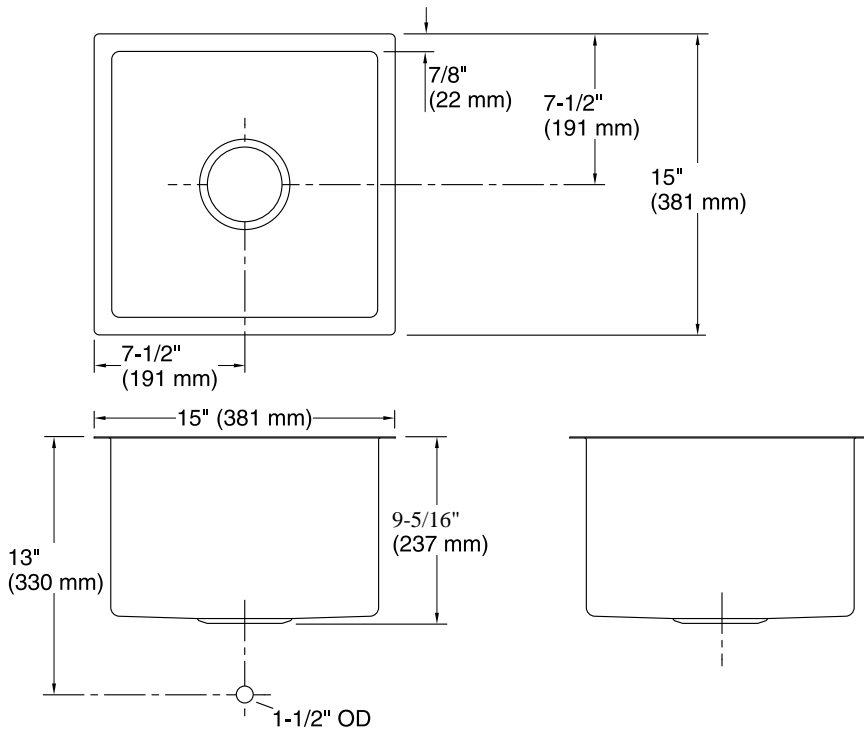
ASME A112.19.3/CSA B45.4

ADA

ICC/ANSI A117.1

KOHLER® Stainless Steel Sinks Lifetime Limited Warranty

See website for detailed warranty information.



Technical Information

All product dimensions are nominal.

Bowl configuration: Single

Min. base cabinet width: 18" (457 mm)

Bowl area: Length: 13-1/4" (337 mm)
Width: 13-1/4" (337 mm)
Bowl depth: 9-5/16" (237 mm)
Water depth: 9" (229 mm)

Drain hole: 3-11/16" (94 mm)

Template: 1207219-7, required, included

Notes

Install this product according to the installation instructions.

ADA compliant when installed to the specific requirements of these regulations.

ADA permits a parallel approach to wet bars.