

## Features

- 18-inch minimum base cabinet width.
- Single bowl.
- 9" depth provides generous workspace.
- No faucet holes.
- Rear drain increases workspace in the sink and allows for more storage space underneath the sink.
- SilentShield® sound-absorption technology offers quieter performance.
- Includes a bottom sink rack and installation hardware.
- Rounded 10mm corners are easy to clean.

## Material

- Handcrafted from 16-gauge stainless steel.
- Premium 16-gauge stainless steel.

## Installation

- Undermount.

## Recommended Products/Accessories

- K-8801 Sink Strainer
- K-8799 Sink Strainer
- K-23726 Drain treatment
- K-23729 Stainless steel cleaner

## Optional Products/Accessories

- K-11352 Disposal Flange with Stopper

## Included Components

Additional Components:

- Bottom bowl rack
- Cut-out template
- Hardware kit(s) (Qty 2)



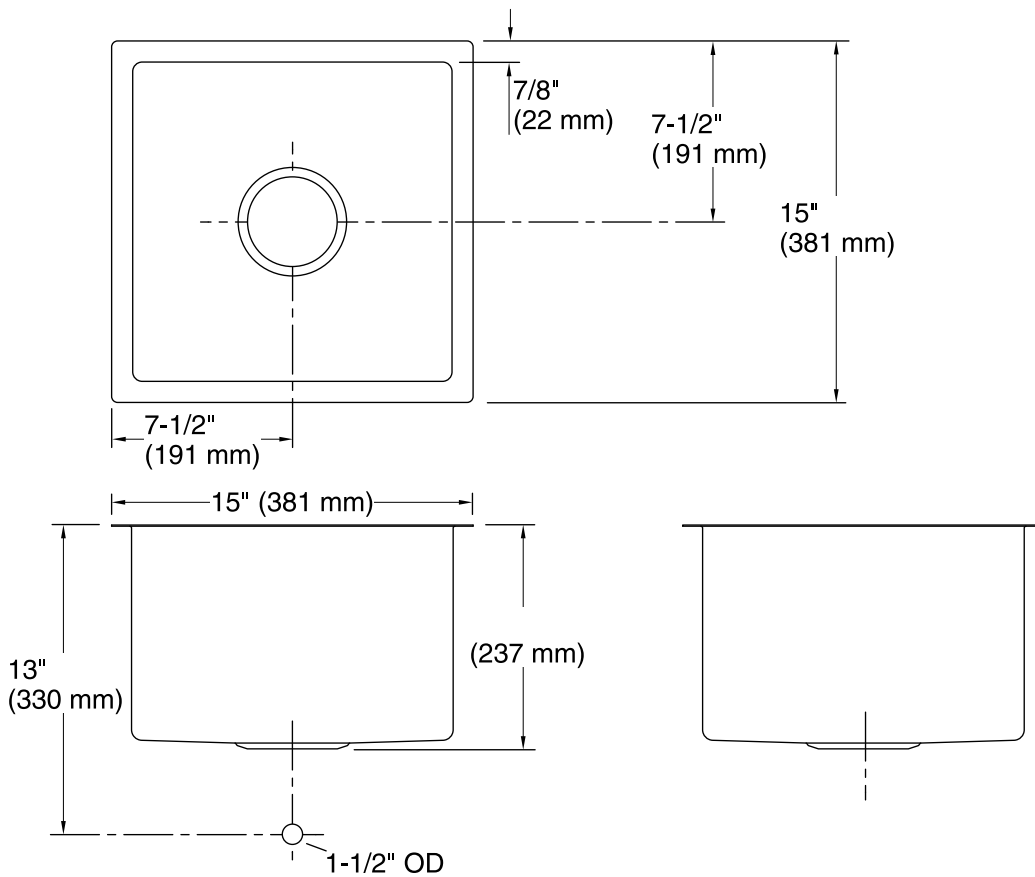
ADA

## Codes/Standards

ASME A112.19.3/CSA B45.4  
ADA  
ICC/ANSI A117.1

## Lifetime Limited Warranty for KOHLER® Stainless Steel Sinks

See website for detailed warranty information.



## Technical Information

All product dimensions are nominal.

Bowl configuration:	Single
Installation:	Under-mount
Min. base cabinet width:	18" (457 mm)
Bowl area:	Length: 13-1/4" (337 mm) Width: 13-1/4" (337 mm) Bowl depth: 9-5/16" (237 mm) Water depth: 9" (229 mm)
Drain hole:	3-11/16" (94 mm)
Template:	1207219-7, required, included

## Notes

Install this product according to the installation instructions.

ADA compliant when installed to the specific requirements of these regulations.

ADA permits a parallel approach to wet bars.