

Features

- 27" (686 mm) minimum base cabinet width
- Single bowl
- 9" (229 mm) depth provides generous workspace
- Rear drain increases workspace in the sink and allows for more storage space underneath the sink
- Includes a combination dishcloth bar/utility shelf and a bottom sink rack
- Includes installation hardware
- Rounded 10mm corners are easy to clean



Material

- Handcrafted from 16-gauge stainless steel
- Premium 16-gauge stainless steel

Installation

- Undermount

Required Products/Accessories

K-11352 Disposal Flange with Stopper

or

K-8801 Sink drain and strainer with tailpiece

or

K-8799 Sink drain and strainer basket

Recommended Products/Accessories

K-23726 Drain treatment

K-23729 Stainless steel cleaner

Included Components

K-6429 Utility Rack

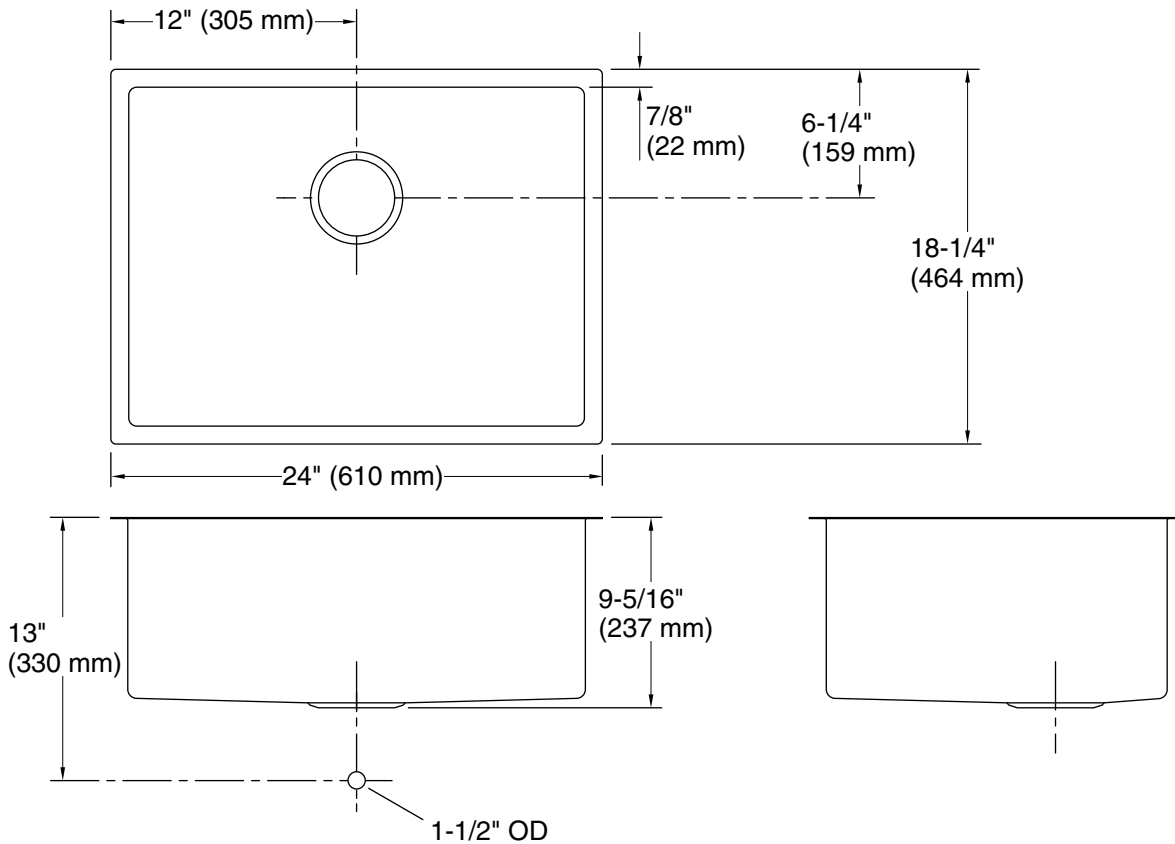
K-6645 Sink Rack

Codes/Standards

ASME A112.19.3/CSA B45.4

KOHLER® Stainless Steel Sinks Lifetime Limited Warranty

See website for detailed warranty information.



Technical Information

All product dimensions are nominal.

Bowl configuration: Single

Min. base cabinet width: 27" (686 mm)

Bowl area: Length: 22-1/4" (565 mm)
 Width: 16-1/2" (419 mm)
 Bowl depth: 9-5/16" (237 mm)
 Water depth: 9" (229 mm)

Template: 1207218-7, required, included

Notes

Install this product according to the installation instructions.