



Freshman™
1.0 gpf Rear-inlet Urinal
K-4989-R

Features

- Siphon jet.
- 3/4" (190 mm) rear spud.
- 1.0 gpf (3.8 lpf).
- Includes inlet and outlet spuds and hangers.

Material

- Vitreous china.

Recommended Products/Accessories

- K-23726 Drain treatment
- K-23725 Cast iron cleaner

Included Components

Additional Components:

- Hanger(s)
- Inlet Spud
- Outlet Spud
- Urinal



Codes/Standards





ASME A112.19.2/CSA B45.1
DOE - Energy Policy Act 1992

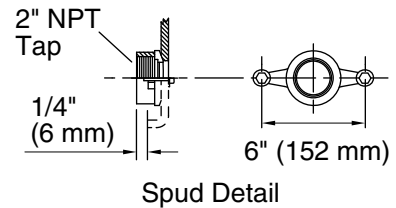
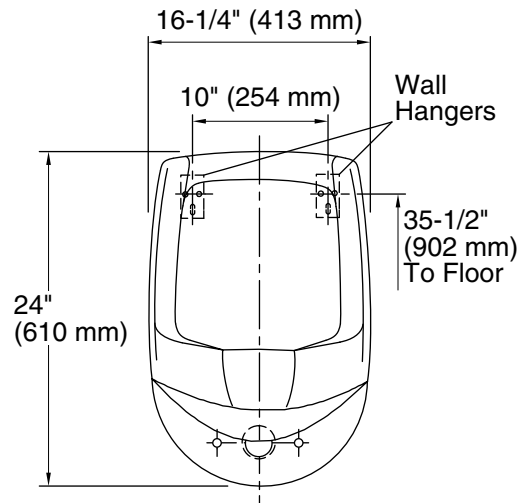
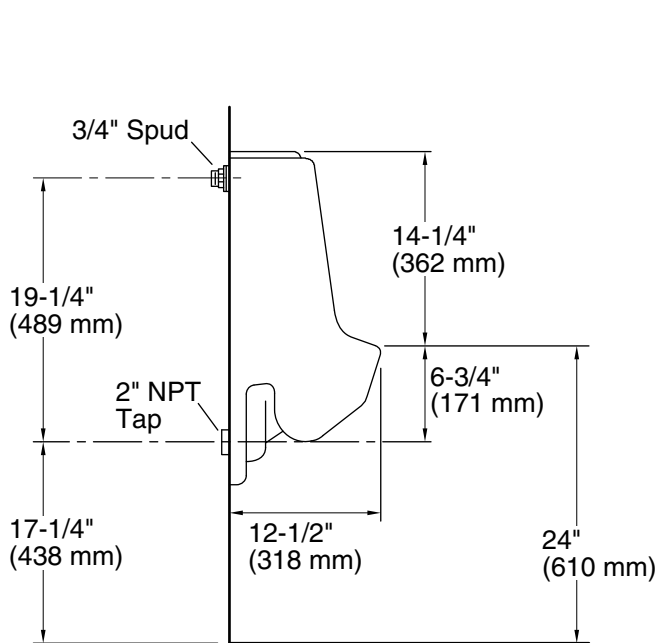
KOHLER® One-Year Limited Warranty

See website for detailed warranty information.

Available Colors/Finishes

Color tiles intended for reference only.

Color	Code	Description
	0	White
	96	Biscuit
	47	Almond
	7	Black Black™



Technical Information

All product dimensions are nominal.

Flush outlet Siphon jet
 technology:

Spud size: Inlet, Rear

Max. Water per Flush: 1 gal (3.8 L)

Notes

Install this product according to the installation guide.