

Features

- 36" minimum base cabinet width
- Double-equal bowls
- 6" (152 mm) depth
- Rear drains increase workspace in the sink and storage space underneath
- Includes installation hardware
- Three faucet holes and one accessory hole to the right

Material

- Handcrafted from 18-gauge stainless steel
- Premium 18-gauge stainless steel

Installation

- For undermount installation, countertop thickness cannot be greater than 1" (25 mm) for ADA compliance
- Top-mount or undermount

Recommended Products/Accessories

- K-6641 Stainless steel sink rack
- K-8801 Sink drain and strainer with tailpiece
- K-8799 Sink drain and strainer basket
- K-23726 Drain treatment
- K-23729 Stainless steel cleaner

Optional Products/Accessories

- K-6434 Saddle Utility Rack
- K-6667 Wood Cutting Board
- 1177161 Installation Clip Kit
- K-11352 Disposal Flange with Stopper

Included Components

- 1130570 Hardware Kit, Self-Rimming



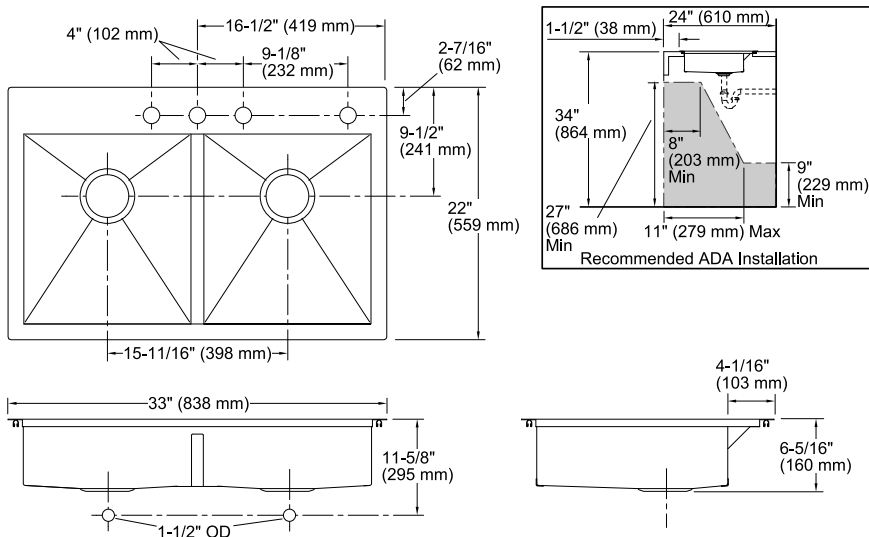
ADA

Codes/Standards

ASME A112.19.3/CSA B45.4
ADA
ICC/ANSI A117.1
IAPMO Certification

KOHLER® Stainless Steel Sinks Lifetime Limited Warranty

See website for detailed warranty information.



Technical Information

All product dimensions are nominal.

Bowl configuration: Double equal

Center(s): 4

Min. base cabinet width: 36" (914 mm)

Bowl area (Left): Length: 14-9/16" (370 mm)
Width: 16-9/16" (421 mm)
Bowl depth: 6" (152 mm)

Bowl area (Right): Length: 14-9/16" (370 mm)
Width: 16-9/16" (421 mm)
Bowl depth: 6" (152 mm)

Number of deck holes: 4

Faucet hole spacing: 4" (102 mm)

Faucet hole(s): 1-7/16" (37 mm)

Drain hole: 3-5/8" (92 mm)

Template: 1130821, required, included

Notes

Install this product according to the installation instructions.

ADA compliant when installed to the specific requirements of these regulations.