

Features

- Two-piece toilet.
- Round-front bowl offers an ideal solution for smaller baths and powder rooms.
- Left-hand nested trip lever offers a choice of 1.1 or 1.6 gallons per flush (gpf).
- 2-1/8" (54 mm) fully-glazed trapway.
- Coordinates with other products in the Wellworth collection.
- Combination consists of the the K-4197 bowl and the K-4458 tank.
- Seat not included.

Technology

- Dual-flush technology allows you to choose between a full- or partial-flush.

Installation

- Standard 12" (305 mm) rough-in.
- Three-bolt installation.

Water Conservation & Rebates

- Eligible for consumer rebates in some municipalities.

Recommended Products/Accessories

K-4639 Cachet® Quiet-Close™ Round-Front Toilet Seat
K-5589 Purefresh® Round-Front Toilet Seat
K-76923 Puretide™ Quiet-Close™ Round-front manual cleansing toilet seat
K-5420 Low-Profile Bolt Caps
K-9237 Dual-flush Trip Lever
1023457 Wax Ring/Hardware Kit
1265114 Connector Hose
K-23726 Drain treatment

Included Components

Product consists of:

K-4197 Round-Front Bowl
K-4458 Toilet tank, dual-flush

Additional Components:

Bolt cap accessory pack
Bowl
Tank
Tank cover
Trip lever



Codes/Standards




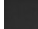
ASME A112.19.2/CSA B45.1
EPA WaterSense®

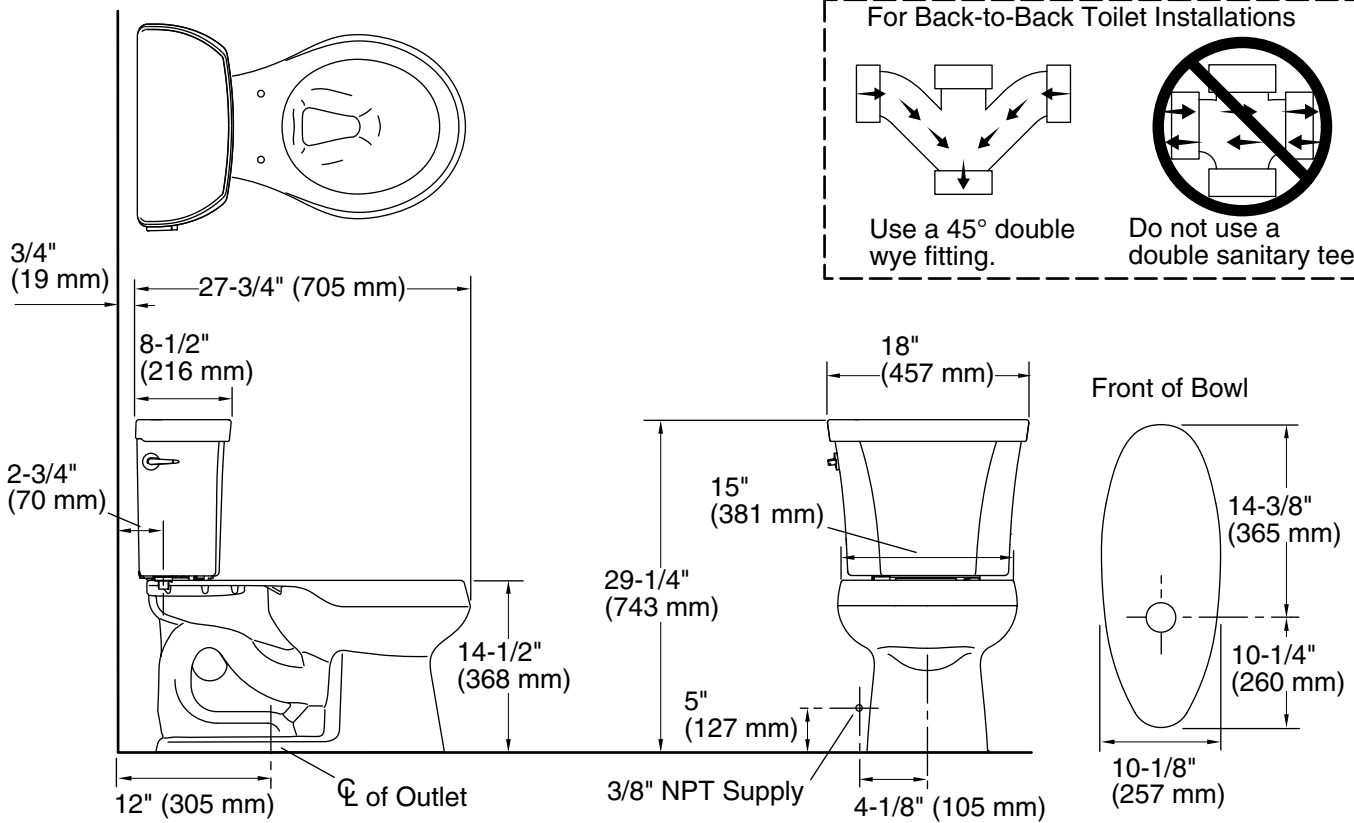
KOHLER® Toilets and Seats Limited Warranty

See website for detailed warranty information.

Available Colors/Finishes

Color tiles intended for reference only.

Color	Code	Description
	0	White
	96	Biscuit
	47	Almond
	7	Black Black™



Technical Information

All product dimensions are nominal.

Toilet type:	Two-piece, Floor-mount
Waste Outlet:	Floor
Bowl shape:	Round-front
Flush type:	Class Five®
Trap passageway:	2-1/8" (54 mm)
Water surface size:	10-1/2" x 7-3/4" (267 mm x 197 mm)
Rim to water surface:	5-1/4" (133 mm)
Rough-in:	12" (305 mm)
Seat-mounting holes:	5-1/2" (140 mm)

Notes

Install this product according to the installation instructions.

For back-to-back toilet installations: Use only a 45° double wye fitting.