

Features

- 36-inch minimum base cabinet width.
- Single bowl.
- 9" depth provides generous workspace.
- Short apron allows sink to be used in most standard cabinetry or retrofitted to existing standard cabinetry.
- Self-Trimming apron overlaps the cabinet face for easy installation.
- No faucet holes.
- Rear drain increases workspace in the sink and storage space underneath.
- Includes installation hardware and bottom sink rack.
- SilentShield® sound-absorption technology offers quieter performance.

Material

- Handcrafted from 18-gauge stainless steel.
- Premium 18-gauge stainless steel.

Installation

- Under-mount farmhouse.

Recommended Products/Accessories

- K-6474 Sink Rack
- K-8801 Sink Strainer
- K-8799 Sink Strainer
- K-23726 Drain treatment
- K-23729 Stainless steel cleaner

Optional Products/Accessories

- K-11352 Disposal Flange with Stopper

Included Components

Product consists of:

- 91915 Hardware Kit
- K-6474 Sink Rack

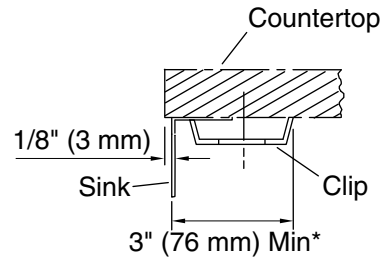
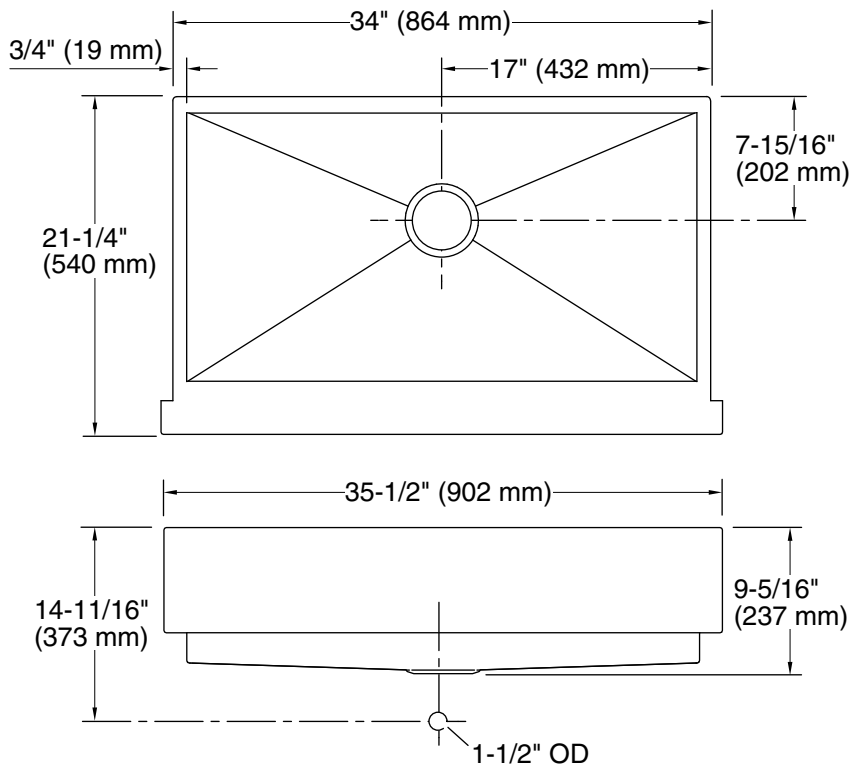


Codes/Standards

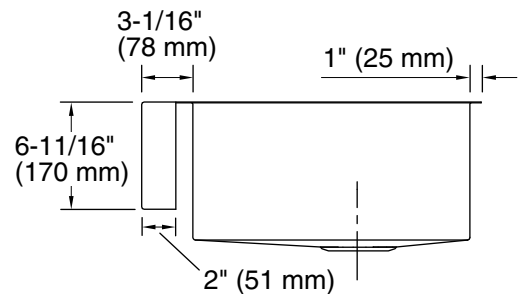
ASME A112.19.3/CSA B45.4

Lifetime Limited Warranty for KOHLER® Stainless Steel Sinks

See website for detailed warranty information.



*Allow clearance around the back sink rim for clip attachment.



Technical Information

All product dimensions are nominal.

Bowl configuration:	Single
Installation:	Top-mount, Under-mount
Min. base cabinet width:	36" (914 mm)
Bowl area (Only):	Length: 32-1/2" (826 mm) Width: 17-3/16" (437 mm) Bowl depth: 9" (229 mm)
Drain hole:	3-11/16" (94 mm)
Template:	1166719-7, required, included

Notes

- Install this product according to the installation instructions.
- Allow a minimum of 3" (76 mm) clearance for the back 1" (25 mm) sink rim flange for clip attachment.
- The 3/4" (19 mm) side rim flanges are supported without using the clip attachment. See the installation guide for further instructions.