



**Undertone®**

15-3/4" undermount single-bowl bar sink  
**K-3331**

### Features

- 21" (533 mm) minimum base cabinet width
- Single bowl
- 7-1/2" (191 mm) depth
- Rear drain placement increases cabinet storage space underneath sink
- Includes installation hardware

### Material

- Premium 18-gauge stainless steel

### Installation

- Undermount

### Recommended Products/Accessories

- K-6388 Sink Rack
- K-8801 Sink drain and strainer with tailpiece
- K-8799 Sink drain and strainer basket
- K-23726 Drain treatment
- K-23729 Stainless steel cleaner

### Optional Products/Accessories

- K-11352 Disposal Flange with Stopper

### Included Components

- 91915 Hardware Kit



**ADA**

### Codes/Standards

ASME A112.19.3/CSA B45.4  
ADA  
ICC/ANSI A117.1  
IAPMO Certification

### KOHLER® Stainless Steel Sinks Lifetime Limited Warranty

See website for detailed warranty information.

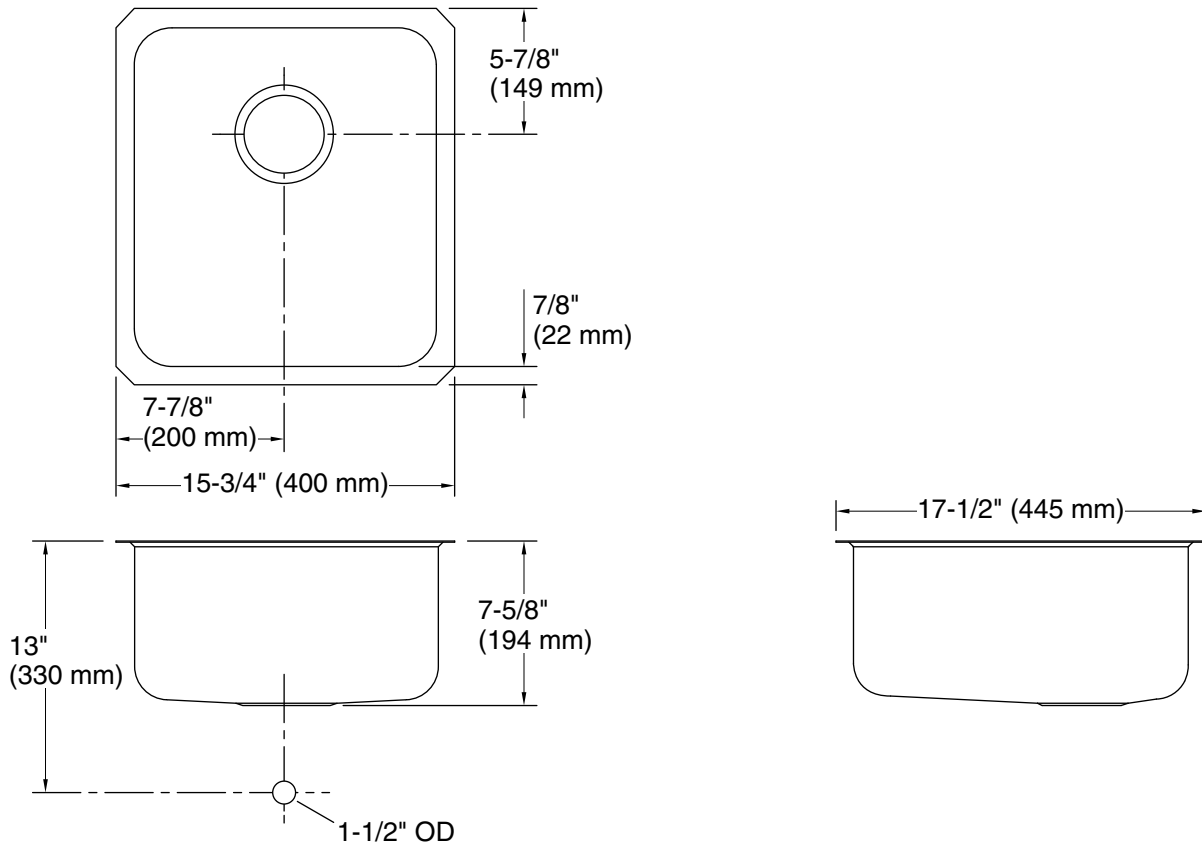
1-800-4KOHLER (1-800-456-4537)

Kohler Co. reserves the right to make revisions without notice to product specifications.

For the most current Specification Sheet, go to [www.kohler.com](http://www.kohler.com) USA or [www.kohler.ca](http://www.kohler.ca) Canada

6-10-2024 20:20 - US

THE BOLD LOOK  
OF **KOHLER®**



## Technical Information

All product dimensions are nominal.

Min. base cabinet width: 21" (533 mm)

Bowl area (Only): Length: 14" (356 mm)  
 Width: 15-3/4" (400 mm)  
 Bowl depth: 7-1/2" (191 mm)  
 Water depth: 7-1/2" (191 mm)

Drain hole: 3-5/8" (92 mm)

Template: 111134-7, required, included

## Notes

Install this product according to the installation instructions.

ADA compliant when installed to the specific requirements of these regulations.

ADA permits a parallel approach to wet bars.