



Undertone®

Under-Mount Kitchen Sink

K-3188

Features

- Undertone trough sinks take functionality to a higher level in the kitchen.
- 43"L x 8-1/4"W.
- Basin depth: 5-15/16"
- Single-basin design.
- Undercounter installation.
- No faucet holes.
- Sink can operate as a secondary or prep sink for ultimate flexibility when designing a custom workspace.
- Please order the K-3156-NA sink which includes the following: sink and sink rack.

Material

- Premium 16-gauge stainless steel.

Recommended Products/Accessories

- K-8801 Sink Strainer
- K-8799 Sink Strainer
- K-23726 Drain treatment
- K-23729 Stainless steel cleaner

Optional Products/Accessories

- K-2989 Hardwood Countertop Cutting Board
- K-3136 Sink Rack
- K-11352 Disposal Flange with Stopper

Included Components

- Product consists of:
- 91915 Hardware Kit

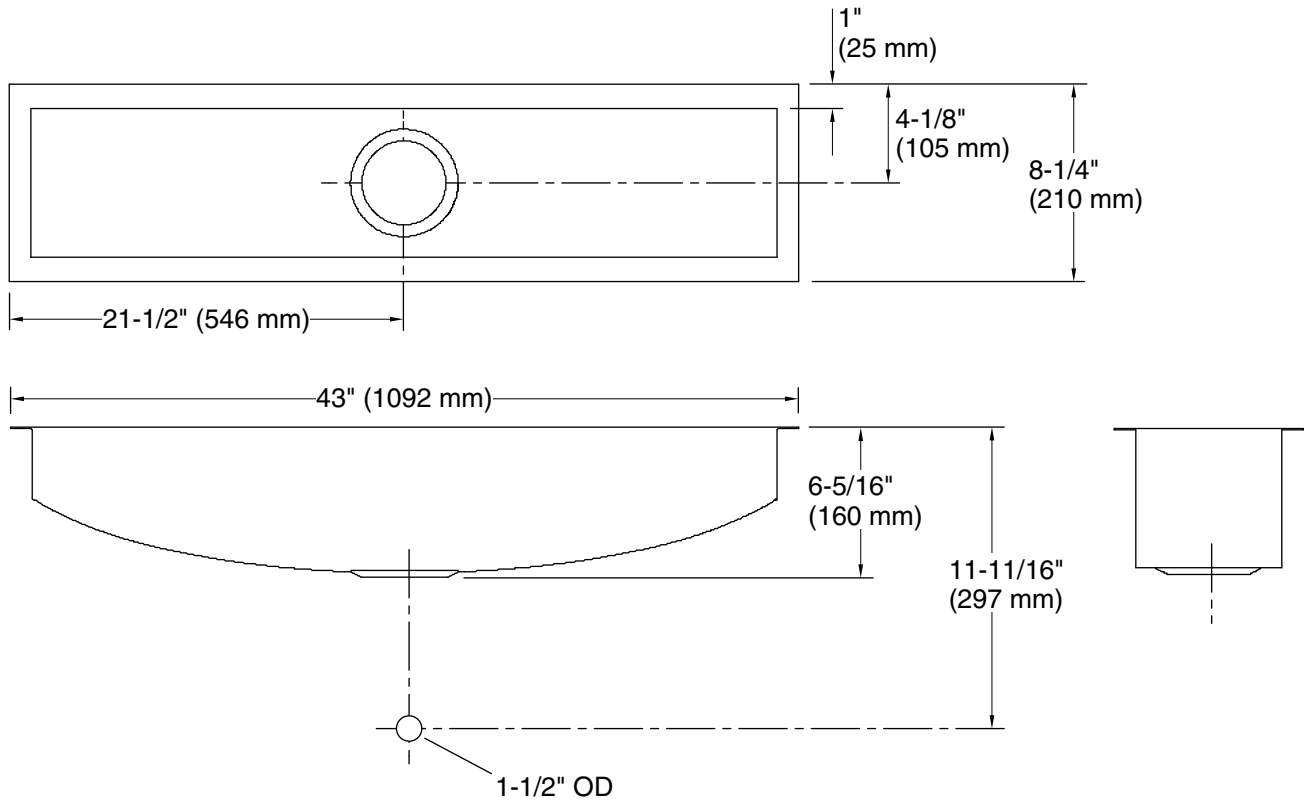


Codes/Standards

ASME A112.19.3/CSA B45.4

Lifetime Limited Warranty for KOHLER® Stainless Steel Sinks

See website for detailed warranty information.



Technical Information

All product dimensions are nominal.

Bowl configuration:	Single
Installation:	Under-mount
Min. base cabinet width:	45" (1143 mm)
Bowl area:	Length: 41" (1041 mm) Width: 6-1/4" (159 mm) Bowl depth: 6-5/16" (160 mm)
Drain hole:	3-5/8" (92 mm)
Template:	1022024-7, required, included

Notes

Install this product according to the installation instructions.