

Features

- 36" (914 mm) minimum base cabinet width
- Double-equal bowls
- 9" (229 mm) depth provides generous workspace
- Rounded corners are easy to clean
- SilentShield® sound-absorption technology offers quieter performance
- Rear drains increase workspace in the sink and storage space underneath
- No faucet holes; requires wall- or counter-mount faucet
- Box includes: Sink, installation hardware
- Optional K-28903 silicone bowl mat (sold separately)



Material

- Premium 18-gauge stainless steel
- KOHLER stainless steel sinks resist corrosion and tarnishing

Installation

- Undermount

Recommended Products/Accessories

- K-8801 Sink drain and strainer with tailpiece
- K-23729 Stainless steel cleaner
- K-8799 Sink drain and strainer basket
- K-23726 Drain treatment

Optional Products/Accessories

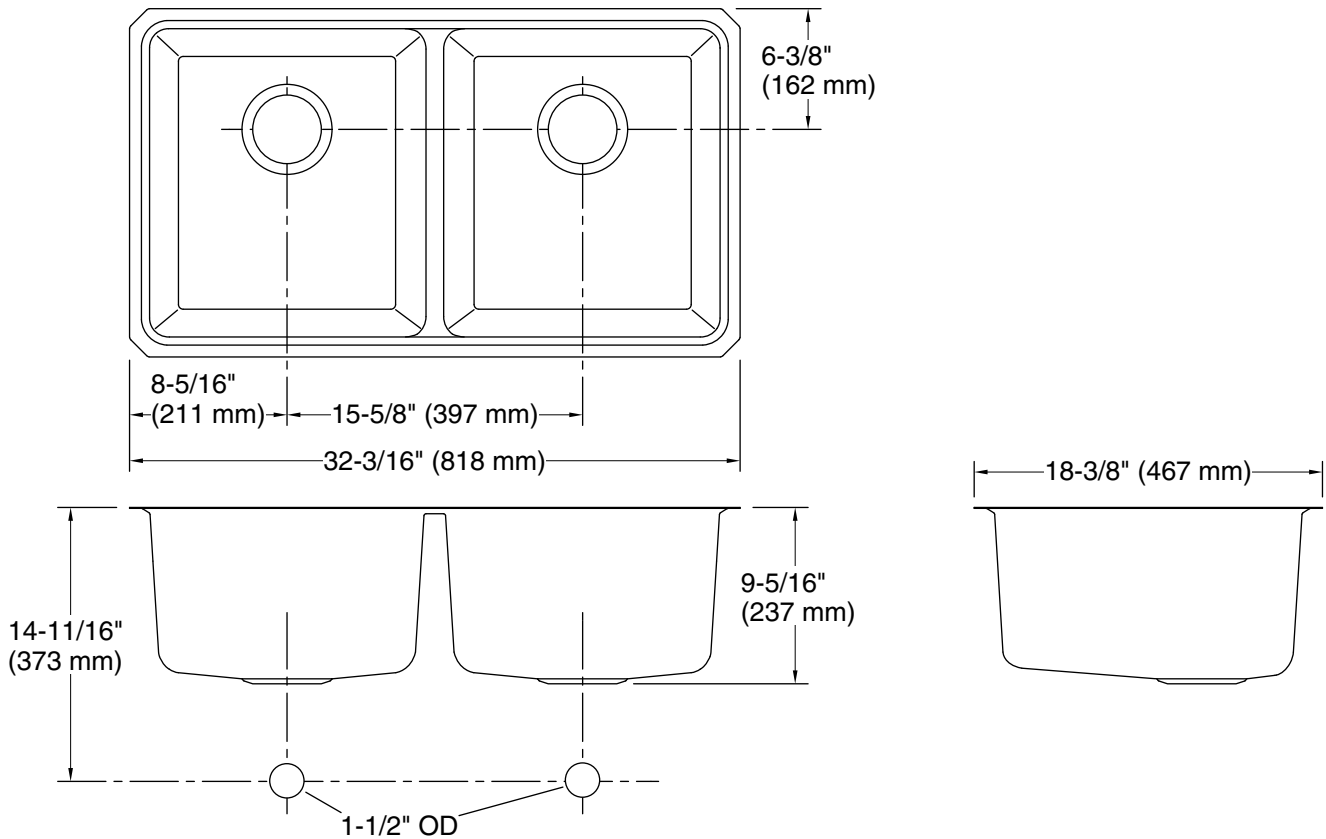
- K-28905 Bamboo cutting board
- K-28906 Acacia cutting board
- K-11352 Disposal Flange with Stopper

Codes/Standards

ASME A112.19.3/CSA B45.4
IAPMO Certification

KOHLER® Stainless Steel Sinks Lifetime Limited Warranty

See website for detailed warranty information.



Technical Information

All product dimensions are nominal.

Bowl configuration: Double equal

Min. base cabinet width: 36" (914 mm)

Bowl area (Left): Length: 14-3/8" (365 mm)
 Width: 16-1/8" (410 mm)
 Bowl depth: 9" (229 mm)
 Water depth: 9" (229 mm)

Bowl area (Right): Length: 14-3/8" (365 mm)
 Width: 16-1/8" (410 mm)
 Bowl depth: 9" (229 mm)
 Water depth: 9" (229 mm)

Drain hole: 3-5/8" (92 mm)

Template: Undermount, 1476436-7, required, included

Notes

Install this product according to the installation instructions.