

### Features

- 8" (203 mm) widespread faucet holes
- Elegant rectangular basin
- Overflow drain
- Coordinates with other products in the Memoirs collection

### Material

- Vitreous china

### Installation

- Drop-in

### Recommended Products/Accessories

- K-8998 P-Trap
- K-23726 Drain treatment
- K-23725 Cast iron cleaner



ADA

CSA B651

OBC

### Codes/Standards









ASME A112.19.2/CSA B45.1  
ADA  
ICC/ANSI A117.1  
CSA B651  
OBC  
IAPMO Certification

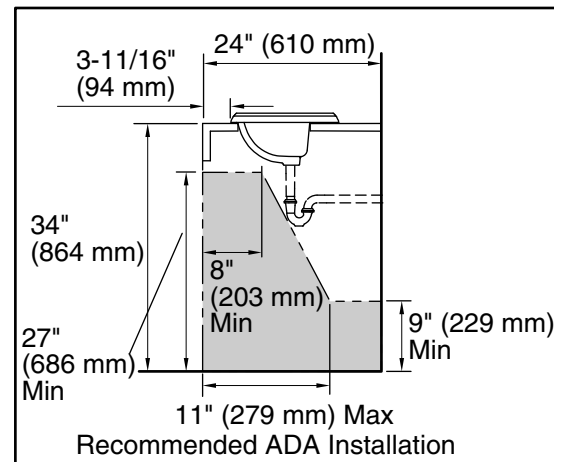
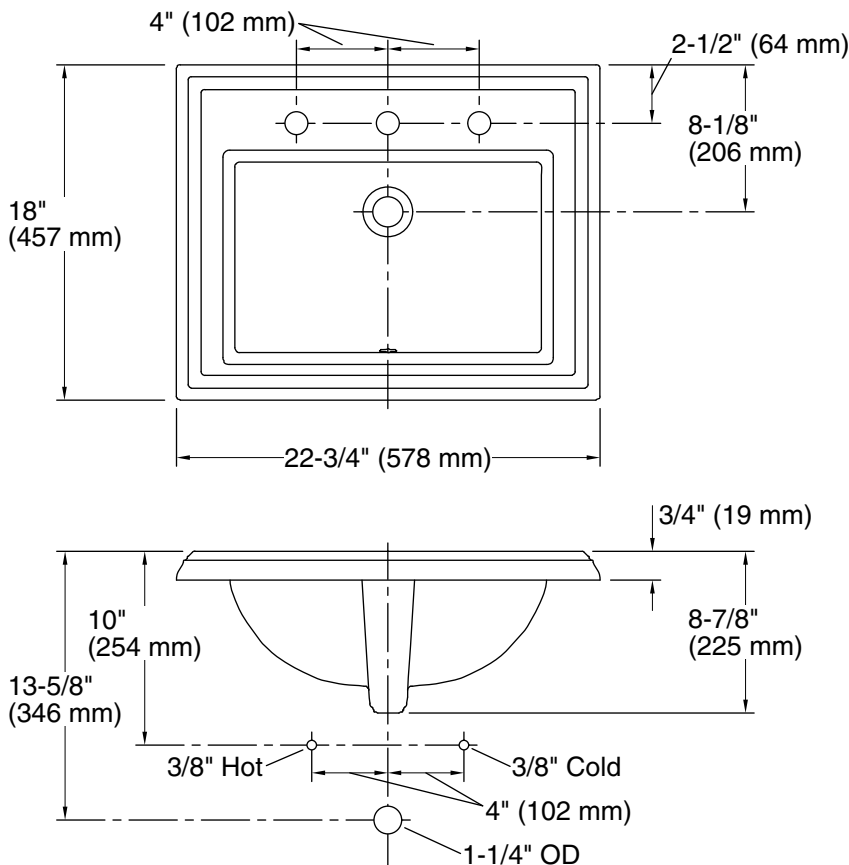
### KOHLER® One-Year Limited Warranty

See website for detailed warranty information.

### Available Colors/Finishes

*Color tiles intended for reference only.*

| Color   | Code | Description   |
|---|------|---------------|
|  | 0    | White         |
|  | 96   | Biscuit       |
|  | NY   | Dune          |
|  | 95   | Ice™ Grey     |
|  | 58   | Thunder™ Grey |
|  | 7    | Black Black™  |
|  | 17   | Teal          |
|  | 42   | Aspen Green   |



### Technical Information

All product dimensions are nominal.

|                       |   |
|-----------------------|---|
| Bowl configuration:   | Single  |
| Center(s):            | 8   |
| Bowl area (Only):     | Length: 17" (432 mm)<br>Width: 10" (254 mm)<br>Water depth: 5" (127 mm) |
| With overflow:        | Yes   |
| Number of deck holes: | 3   |
| Faucet hole spacing:  | 8" (203 mm)   |
| Faucet hole(s):       | 1-3/8" (35 mm)  |
| Drain hole:           | 1-3/4" (44 mm)  |
| Template:             | 1003676, required, included   |

### Notes

Install this product according to the installation instructions.

**NOTICE:** Countertop manufacturer or cutter must use the cut-out template provided with the product, or a current one provided by Kohler Co. (call 1-800-4KOHLER). Kohler Co. is not responsible for cut-out errors when incorrect cut-out template is used.

ADA, OBC, CSA B651 compliant when installed to the specific requirements of these regulations.