

## Features

- For use with the K-18829 2" x 4" in-wall tank and carrier system
- Large flush actuator plate is easily removed, allowing access to inner tank and flush valve for service
- Dual-flush actuator offers a choice of 0.8 or 1.6 gpf (3.0 or 6.0 lpf)
- Fingerprint-resistant finish stays clean longer

## Material

- Premium material construction for durability and reliability
- KOHLER® finishes resist corrosion and tarnishing

## Installation

- Requires K-8108 Pneumatic Conversion In-Wall Kit (sold separately)

## Required Products/Accessories

K-18829 2" x 4" In-wall tank and carrier system  
K-8108 Pneumatic conversion kit for in-wall tank

## Recommended Products/Accessories

K-23723 Faucet cleaner



## Codes/Standards

None Applicable



## KOHLER® Toilets and Seats Limited Warranty

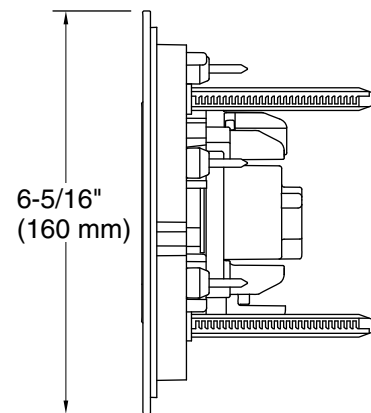
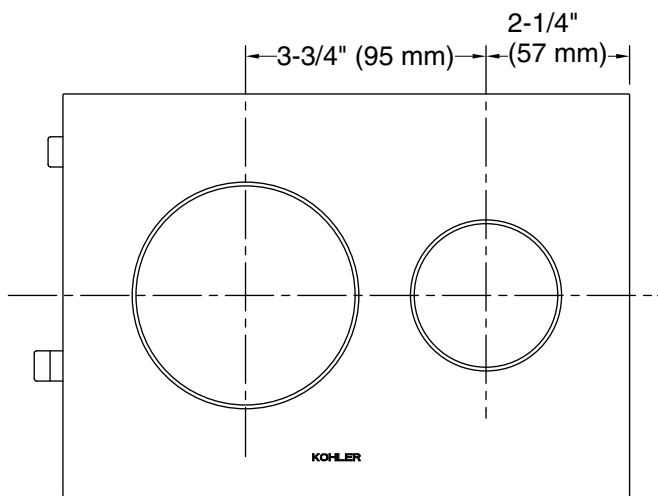
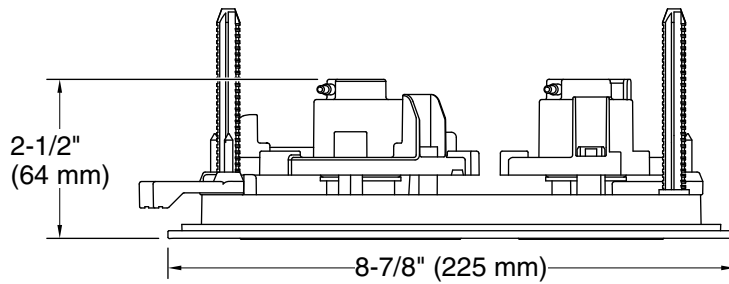
See website for detailed warranty information.

## Available Colors/Finishes

*Color tiles intended for reference only.*

Color	Code	Description
-------	------	-------------

	0	White
	7	Black Black™



## Technical Information

All product dimensions are nominal.

Material: Plastic