



**Brookline®**  
Drop-in Bathroom Sink  
**K-2202-4**

**Features**

- 4" (102 mm) centerset faucet holes
- Round basin
- Overflow drain

**Material**

- Vitreous china

**Installation**

- Drop-in

**Recommended Products/Accessories**

- K-23726 Drain treatment
- K-23725 Cast iron cleaner



ADA

CSA B651

OBC

**Codes/Standards**

ASME A112.19.2/CSA B45.1

ADA

ICC/ANSI A117.1

CSA B651

OBC

IAPMO Certification

**KOHLER® One-Year Limited  
Warranty**

See website for detailed warranty information.

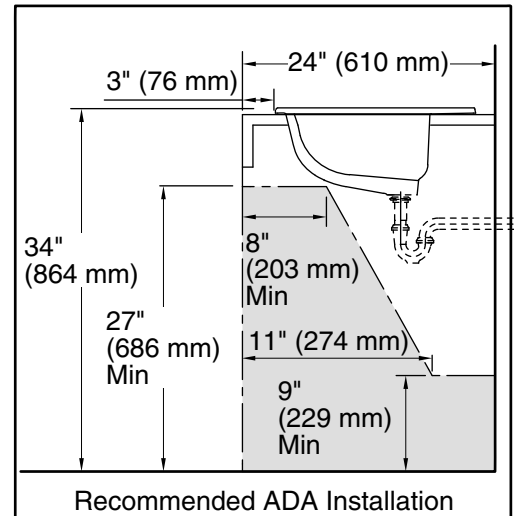
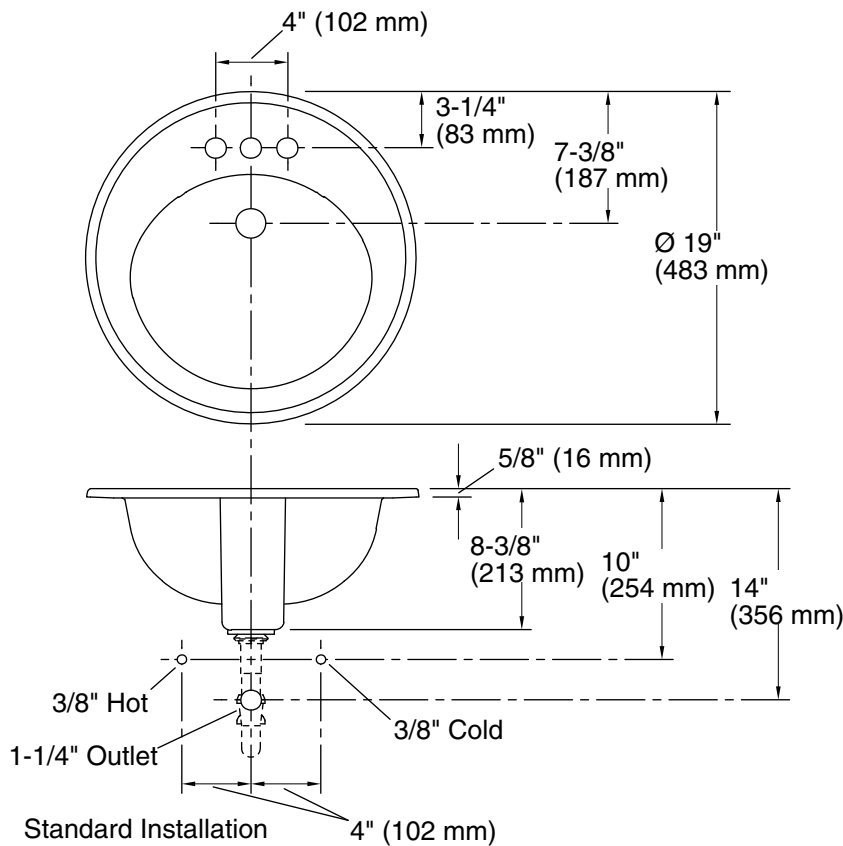
1-800-4KOHLER (1-800-456-4537)

Kohler Co. reserves the right to make revisions without notice to product specifications.

For the most current Specification Sheet, go to [www.kohler.com](http://www.kohler.com) USA or [www.kohler.ca](http://www.kohler.ca) Canada

2-28-2024 20:23 - US

THE BOLD LOOK  
OF **KOHLER®**



## Technical Information

All product dimensions are nominal.

Bowl configuration:	Single
Center(s):	4
Bowl area (Only):	Length: 14" (356 mm) Width: 12" (305 mm) Water depth: 4" (102 mm)
With overflow:	Yes
Number of deck holes:	3
Faucet hole spacing:	4" (102 mm)
Faucet hole(s):	1-1/4" (32 mm)
Drain hole:	1-3/4" (44 mm)

## Notes

Install this product according to the installation instructions.

**NOTICE:** Countertop manufacturer or cutter must use the cut-out template provided with the product or a current one provided by Kohler Co. (call 1-800-4KOHLER). Kohler Co. is not responsible for cut-out errors when incorrect cut-out template is used.

ADA, OBC, CSA B651 compliant when installed to the specific requirements of these regulations.