



Brazn®

24-1/4" oval undermount bathroom sink
K-21057

Features

- Brass drain and color-matched brass drain cover
- With overflow
- Elongated oval basin
- No faucet holes; requires counter-mount faucet with lift rod

Material

- Vitreous china

Installation

- Undermount



ADA **CSA B651** **OBC**

Codes/Standards

ASME A112.19.2/CSA B45.1

ADA

ICC/ANSI A117.1

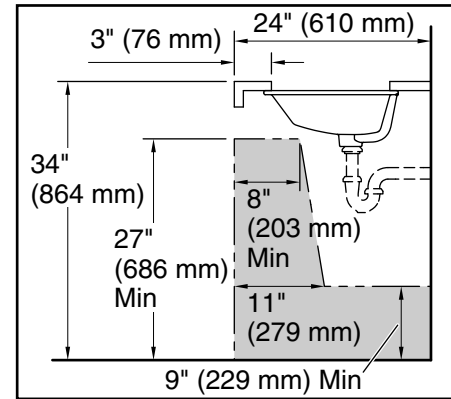
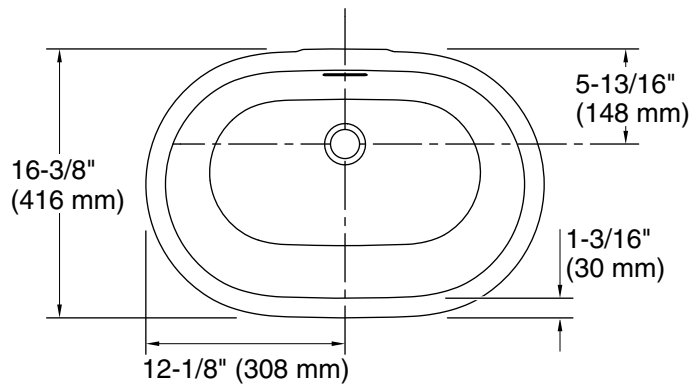
CSA B651

OBC

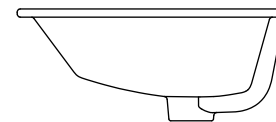
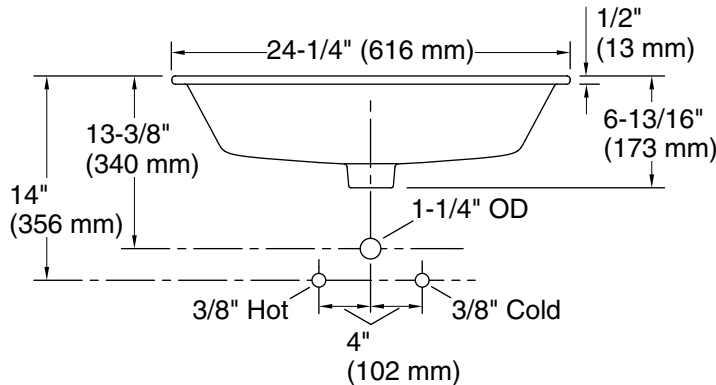
IAPMO Certification

**KOHLER® One-Year Limited
Warranty**

See website for detailed warranty information.



Recommended ADA Installation



Technical Information

All product dimensions are nominal.

Bowl area (Basin #1):	Length: 22-1/16" (560 mm)
	Width: 13-7/8" (352 mm)
	Bowl depth: 5-1/8" (130 mm)
With overflow:	Yes
Drain hole:	1-3/4" (45 mm)
Template:	1483029-7, required, included

Notes

Install this product according to the installation instructions.

NOTICE: Countertop manufacturer or cutter must use the cut-out template provided with the product, or a current one provided by Kohler Co. (call 1-800-4-KOHLER). Kohler Co. is not responsible for cutout errors when the incorrect cut-out template is used.

ADA, OBC, CSA B651 compliant when installed to the specific requirements of these regulations.