



## Artifacts™

66-1/4" x 32-1/2" freestanding bath  
K-21000-P5

### Features

- Freestanding design creates a striking focal point in your bathing area
- Integral lumbar support on both ends
- Safeguard® slip-resistant surface provides excellent traction underfoot
- Coordinates with Artifacts faucets and accessories

### Material

- KOHLER® enameled cast iron
- Painted exterior in Iron Black

### Installation

- Freestanding

### Required Products/Accessories

K-204 ball-and-claw feet  
K-7159 1-1/2" pop-up bath drain for freestanding baths

or

K-20027 bath base for freestanding bath  
K-7159 1-1/2" pop-up bath drain for freestanding baths

### Recommended Products/Accessories

K-23726 Drain treatment  
K-23725 Cast iron cleaner



### Codes/Standards

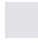


ASME A112.19.1/CSA B45.2

### KOHLER® Enameled Cast Iron Bath and Shower Base Lifetime Limited Warranty

See website for detailed warranty information.

### Available Colors/Finishes

*Color tiles intended for reference only.*

Color	Code	Description
	0	White
	96	Biscuit
	7	Black Black™

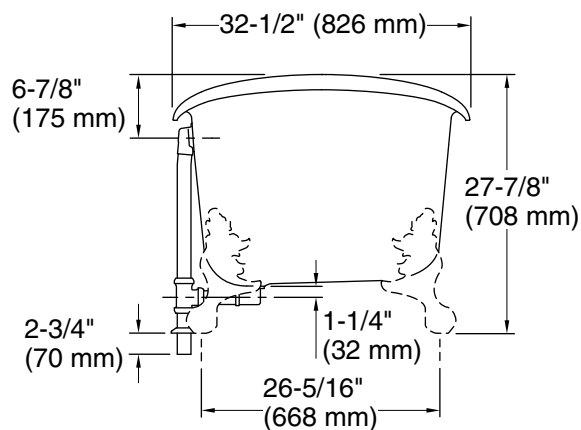
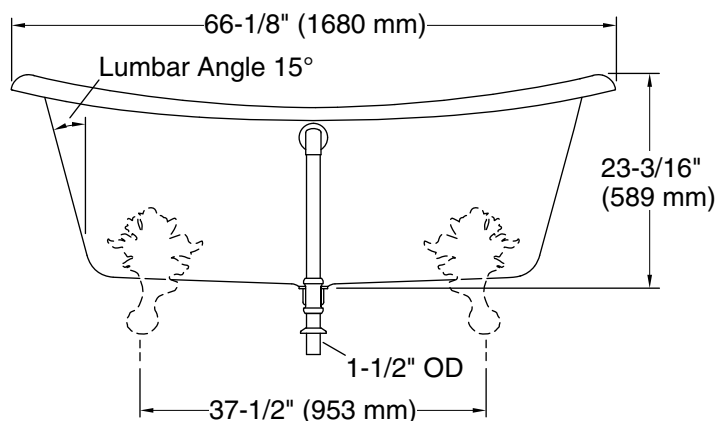
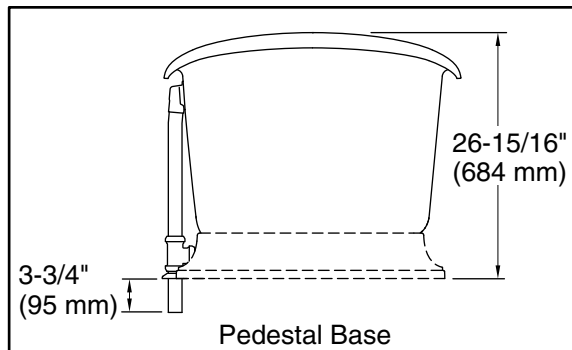
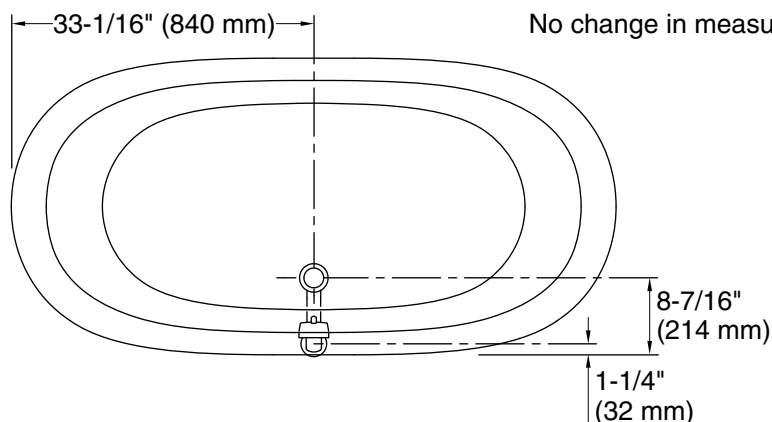
1-800-4KOHLER (1-800-456-4537)

Kohler Co. reserves the right to make revisions without notice to product specifications.

For the most current Specification Sheet, go to [www.kohler.com](http://www.kohler.com) USA or [www.kohler.ca](http://www.kohler.ca) Canada

6-8-2024 20:18 - US

THE BOLD LOOK  
OF **KOHLER**®



#### Technical Information

All product dimensions are nominal.

Drain location:	Center
Basin area, bottom:	48-15/16" x 24-3/4" (1243 mm x 629 mm)
Basin area, top:	58-11/16" x 27-13/16" (1491 mm x 706 mm)
Weight:	396.2 lbs (179.7 kg)
Minimum floor load:	90 lbs/ft <sup>2</sup> (439.4 kg/m <sup>2</sup> )
Water depth:	14-3/8" (366 mm)
Water capacity:	69 gal (261.2 L)
Template:	1344921-7, not required, included

#### Notes

Measure your actual product for rough-in details.

Install this product according to the installation instructions.

The hot water supply should be 70% of the capacity of the bath or greater. Installations will vary.