

## Features

- Large asymmetrical oval basin
- Trough-style basin allows for two-faucet application or striking large vanity installation
- No faucet holes; requires wall- or counter-mount faucet
- Includes color-matched brass drain cover
- Coordinates with other products in the Veil collection

## Material

- Fireclay

## Installation

- Vessel

## Required Products/Accessories

For above-counter installation  
K-7114 Pop-Up Drain

## Recommended Products/Accessories

K-23726 Drain treatment  
K-23725 Cast iron cleaner

## Included Components

1331521 Drain Cover Kit



ADA

CSA B651

OBC

## Codes/Standards

ASME A112.19.2/CSA B45.1

ADA

ICC/ANSI A117.1

CSA B651

OBC

IAPMO Certification

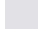


## KOHLER® One-Year Limited Warranty

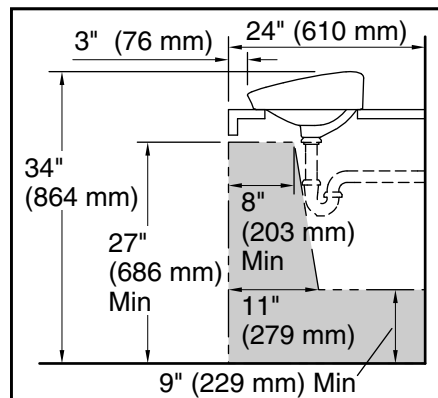
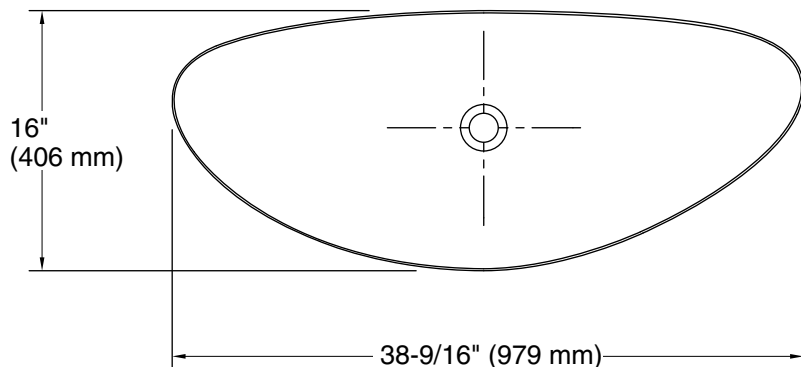
See website for detailed warranty information.

## Available Colors/Finishes

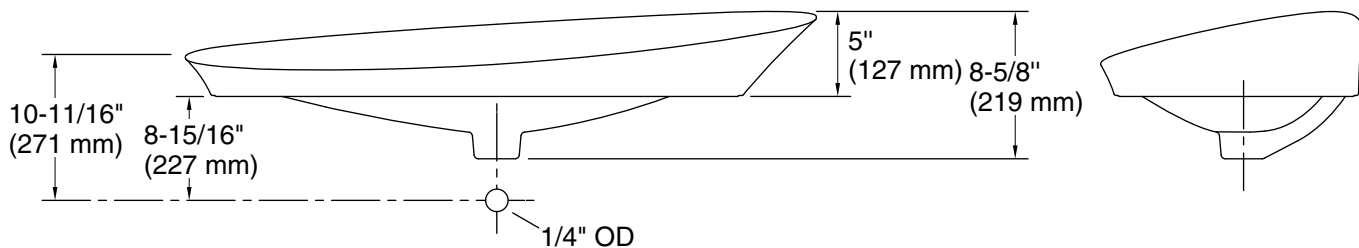
*Color tiles intended for reference only.*

### Color Code Description

|   |    |              |
|---|----|--------------|
|  | 0  | White        |
|  | 96 | Biscuit      |
|  | 7  | Black Black™ |



Recommended ADA Installation



### Technical Information

All product dimensions are nominal.

- Bowl area (Only):    Length: 37-7/8" (962 mm)  
                               Width: 15-1/2" (393 mm)  
                               Bowl depth: 3-1/2" (89 mm)  
                               Water depth: 2-13/16" (71 mm)
- Drain hole:            1-3/4" (44 mm)
- Template:             1317552-7, not required, included

### Notes

Install this product according to the installation instructions.

**NOTICE:** Countertop manufacturer or cutter must use the cut-out template provided with the product, or a current one provided by Kohler Co. (call 1-800-4-KOHLER). Kohler Co. is not responsible for cutout errors when the incorrect cut-out template is used.

ADA, OBC, CSA B651 compliant when installed to the specific requirements of these regulations.