

Features

- 8 hydromassage jets can be individually adjusted for water flow and direction
- Variable-speed pump for adjusting hydromassage intensity
- Chromatherapy lighting allows you to select a preferred color scheme to suit your mood
- Built-in heater
- Lighted keypad control
- Remote control
- Spacious design accommodates up to two bathers
- Coordinates with other products in the Memoirs collection

Material

- Acrylic

Hydrotherapy

- 8 effervescence ports deliver gentle, caressing bubbles
- Whirlpool
- Chromatherapy

Installation

- Drop-in

Required Products/Accessories

K-T37391 Rotary-turn bath drain trim
K-T37392 Rotary-turn bath drain trim

or

K-37385 rough-in cable drain, PVC, 45" cable
K-78439 45" cable bath drain

Recommended Products/Accessories

K-1491 Bath/Whirlpool Pillow
K-1601 Bath/whirlpool footstop, removable
K-23726 Drain treatment
K-23732 Tub & shower cleaner
K-31796 Above-the-floor bath drain kit
K-31798 Bath drain kit



Codes/Standards

ASME A112.19.7/CSA B45.10
CSA B45.5/IAPMO Z124
ASTM E162
ASTM E662
UL 1795
CSA C22.2 No. 218.2
IAPMO Certification
cUL Listed
UL Listed



KOHLER® Plastic Baths and Shower Bases Lifetime Limited Warranty KOHLER® Hydrotherapy Components Five-Year Limited Warranty

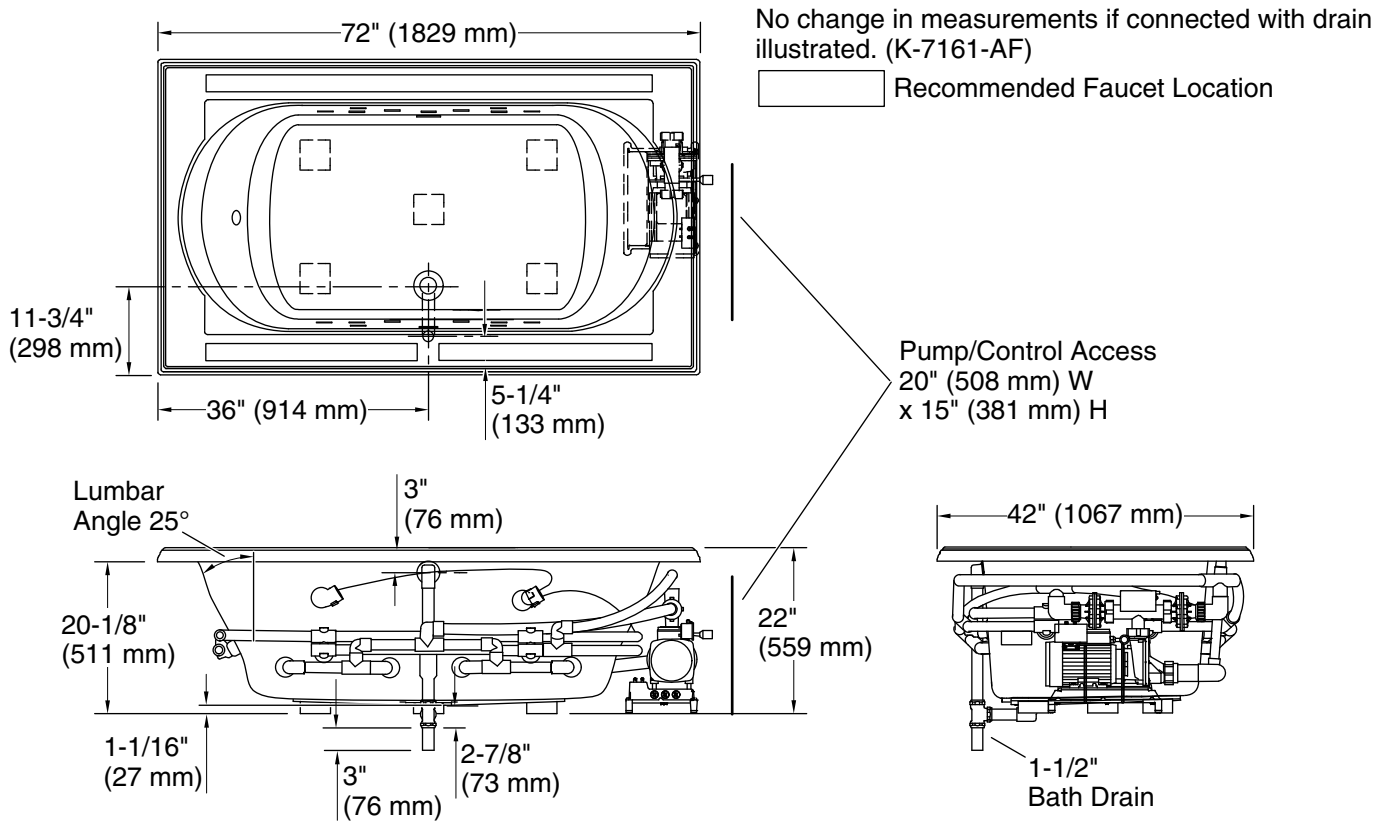
See website for detailed warranty information.

Available Colors/Finishes

Color tiles intended for reference only.

Color	Code	Description
-------	------	-------------

	0	White
	96	Biscuit



Required Electrical Service

One dedicated circuit required, protected with Class A Ground-Fault Circuit-Interrupter (GFCI). Outside North America, this device may be known as a Residual Current Device (RCD).

Pump, Heater: 240 V, 20 A, 50/60 Hz

Technical Information

All product dimensions are nominal.

Drain location: Center

Basin area, bottom: 48" x 27" (1219 mm x 686 mm)

Basin area, top: 60" x 30" (1524 mm x 762 mm)

Weight: 140 lbs (63.5 kg)

Minimum floor load: 45 lbs/ft² (219.7 kg/m²)

Water depth: 16" (406 mm)

Water capacity: 94 gal (355.8 L)

Cutout: Drop-in, 70-1/2" x 40-1/2" (1791 mm x 1029 mm)

Electrical component rating: Pump: 240 V, 11 A, 50/60 Hz
Heater: 240 V, 6.3 A, 50/60 Hz, 1500 W

Pump speed: Variable

Notes

Measure your actual product for rough-in details.

Install this product according to the installation instructions.

The hot water supply should be 70% of the capacity of the bath or greater. Installations will vary.

This whirlpool is designed for drop-in installation only. It is not suited for use in a three wall alcove with an overhead shower.

If installing a rim-mount faucet, make sure there is no interference above or below the deck before drilling any holes.