

Features

- Four Riverjets and eight hydromassage jets can be individually adjusted for water flow and direction
- Two variable-speed pumps for adjusting massage intensity
- Built-in heater
- Lighted keypad control
- Floating remote control
- Integral fill with factory-installed faucet valves
- Spacious design accommodates multiple bathers
- Drilled for grab bars (required); sold separately
- Requires jet trim kit (sold separately)
- Three pillows provide extra comfort

Material

- Acrylic

Hydrotherapy

- RiverBath Whirlpool

Installation

- Drop-in

Required Products/Accessories

- K-37385 rough-in cable drain, PVC, 45" cable
- K-78439 45" cable bath drain
- K-9398 Whirlpool Trim Kit
- K-9669 Hand Grab Bars
- K-T37391 Rotary-turn bath drain trim
- K-T37392 Rotary-turn bath drain trim
- K-T9540-4 Transfer Valve Trim

Recommended Products/Accessories

- K-23726 Drain treatment
- K-23732 Tub & shower cleaner
- K-31796 Above-the-floor bath drain kit
- K-31798 Bath drain kit



Codes/Standards

ASME A112.19.7/CSA B45.10
CSA B45.5/IAPMO Z124
ASTM E162
ASTM E662
UL 1795
CSA C22.2 No. 218.2
IAPMO Certification
cUL Listed
UL Listed

KOHLER® Plastic Baths and Shower Bases Lifetime Limited Warranty KOHLER® Hydrotherapy Components Five-Year Limited Warranty

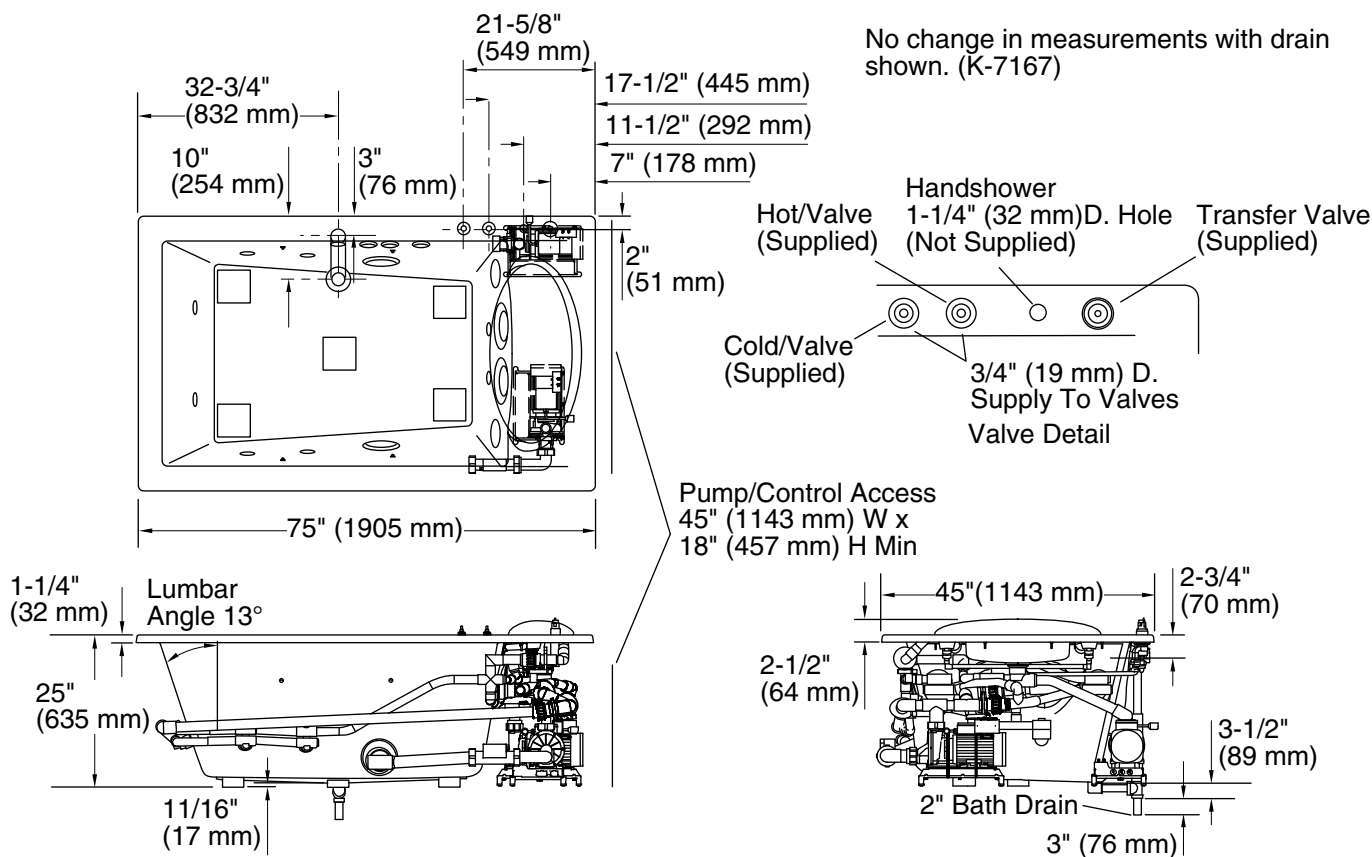
See website for detailed warranty information.

Available Colors/Finishes

Color tiles intended for reference only.

Color Code Description

■ 0 White



Required Electrical Service

Two dedicated circuits required, protected with Class A Ground-Fault Circuit-Interrupter (GFCI). Outside North America, this device may be known as a Residual Current Device (RCD).

Pump, Pump: 240 V, 20 A, 50/60 Hz
Heater: 240 V, 20 A, 50/60 Hz

Technical Information

All product dimensions are nominal.

Drain location: Center
Basin area, bottom: 46" x 34" (1168 mm x 864 mm)
Basin area, top: 57" x 37" (1448 mm x 940 mm)
Weight: 215 lbs (97.5 kg)
Minimum floor load: 62 lbs/ft² (302.7 kg/m²)
Water depth: 20" (508 mm)
Water capacity: 149 gal (564 L)
Template: Drop-in, 1000153-7, required, included
Electrical component rating: Pump: 240 V, 9 A, 50/60 Hz
Pump: 240 V, 9 A, 50/60 Hz
Heater: 240 V, 17 A, 50/60 Hz, 4000 W

Notes

Measure your actual product for rough-in details.

Install this product according to the installation instructions.

The hot water supply should be 70% of the capacity of the bath or greater. Installations will vary.

Consult local and national codes for minimum air gap requirements when installing a spout on the faucet deck other than that supplied.

The PerfectFill drain includes piping that will fit most installations. Some installations may require additional PVC piping.