

KOHLER®

Cimarron®
The Complete Solution® two-piece elongated toilet,
1.28 gpf
K-11451

Features

- Two-piece design
- Elongated bowl offers added room and comfort
- Comfort Height® feature offers chair-height seating that makes sitting down and standing up easier for most adults
- 1.28 gpf (4.8 lpf)
- The Complete Solution toilets provide everything you need, including bowl, tank, seat, wax ring, and hardware
- Left-hand Polished Chrome trip lever
- Coordinates with other products in the Cimarron collection
- AquaPiston® canister optimizes the flow out of the tank, harnessing gravity and the natural powerful reducing cascade of water to increase the power and effectiveness of the flush
- Easy-to-flush canister design requires less force to actuate than a 3" (76 mm) flapper, and has 90% less exposed seal material which resists conditions that cause wear, tear, shrinkage and swelling
- Eligible for consumer rebates in some municipalities

Installation

- Supply line sold separately
- Standard 12" (305 mm) rough-in
- DryLock® system saves installation time and helps prevent water leakage

Recommended Products/Accessories

K-5588 Purefresh® Deodorizing elongated toilet seat
K-5420 Low-Profile Bolt Caps
K-23726 Drain treatment

Included Components

K-4421 Toilet tank, 1.28 gpf
K-4774 Brevia™ Quick-Release™ elongated toilet seat



ADA

CSA B651

OBC

Codes/Standards

ASME A112.19.2/CSA B45.1
DOE - Energy Policy Act 1992
EPA WaterSense®
California Energy Commission (CEC)
ADA
ICC/ANSI A117.1
CSA B651
OBC
IAPMO Certification

KOHLER® Toilets and Seats Limited Warranty

See website for detailed warranty information.

1-800-4KOHLER (1-800-456-4537)

Kohler Co. reserves the right to make revisions without notice to product specifications.

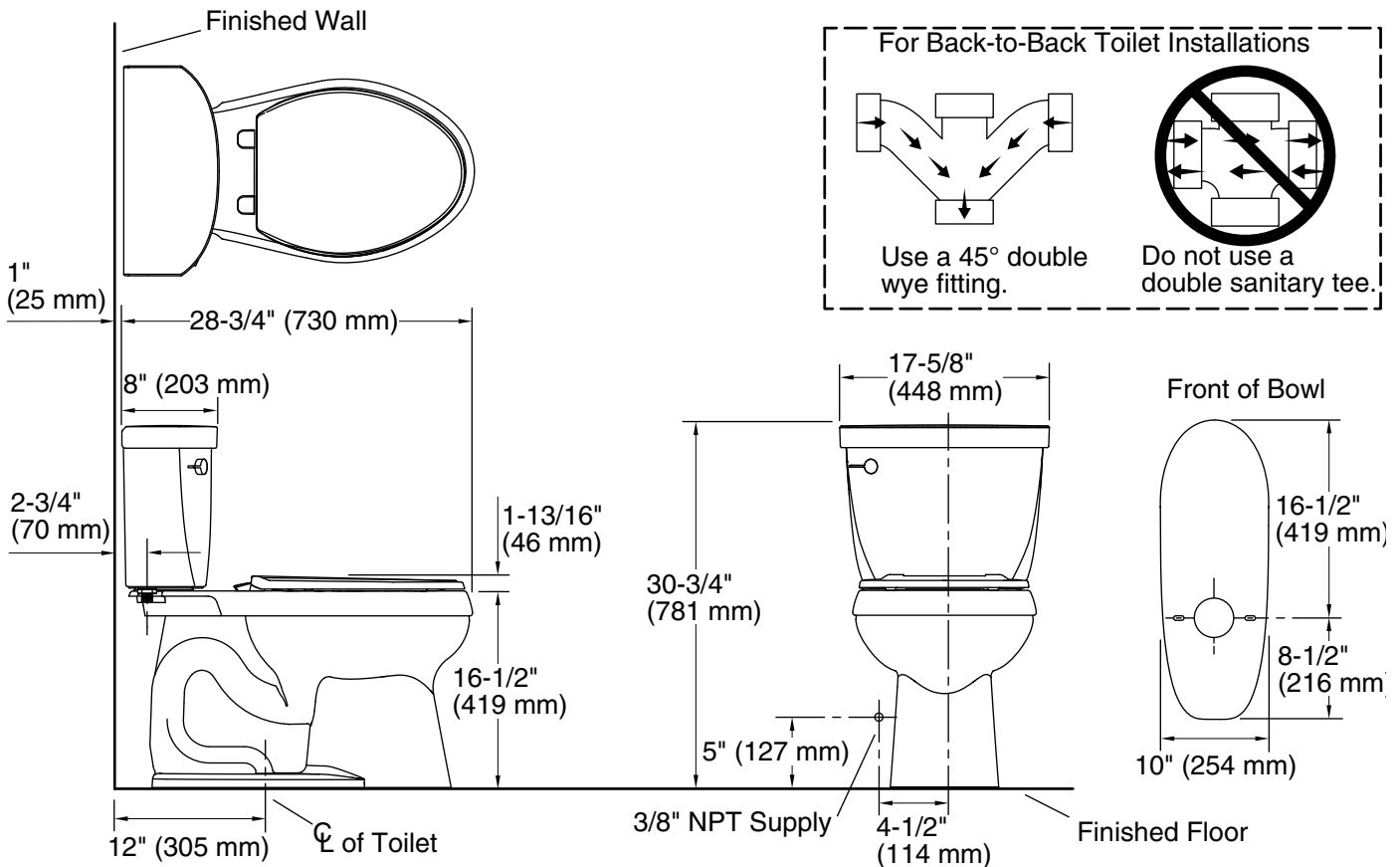
For the most current Specification Sheet, go to www.kohler.com USA or www.kohler.ca Canada

2-29-2024 20:41 - US

THE BOLD LOOK
OF **KOHLER®**

KOHLER®

Cimarron®
The Complete Solution® two-piece elongated toilet,
1.28 gpf
K-11451



Technical Information

All product dimensions are nominal.

Toilet type:	Floor-mount
Waste Outlet:	Floor
Bowl shape:	Elongated
Flush type:	AquaPiston
Seat hinge type:	Quick-Attach®, Quick-Release™
Trap passageway:	2-1/8" (54 mm)
Water surface size:	10-1/2" x 7-7/8" (267 mm x 200 mm)
Rim to water surface:	6-3/8" (162 mm)
Rough-in:	12" (305 mm)
Seat-mounting holes:	5-1/2" (140 mm)

Notes

Install this product according to the installation instructions.

For back-to-back toilet installations: Use only a 45° double wye fitting.

The model is acceptable for left-hand Accessible compartment installations only.

ADA, OBC, CSA B651 compliant when installed to the specific requirements of these regulations.

Plumbing codes may require elongated toilets and elongated, open-front seats in public bathrooms.

Accessibility standards may require controls to be located on the open side of the toilet.

1-800-4KOHLER (1-800-456-4537)

Kohler Co. reserves the right to make revisions without notice to product specifications.

For the most current Specification Sheet, go to www.kohler.com USA or www.kohler.ca Canada

2-29-2024 20:41 - US

THE BOLD LOOK
OF **KOHLER®**