

## Features

- KOHLER® ceramic disc valves exceed industry longevity standards for a lifetime of durable performance
- Single lever handle is simple to use and makes adjusting water temperature easy
- Temperature memory allows faucet to be turned on and off at the temperature set during prior usage
- 1.5 gpm (5.7 lpm) maximum flow rate at 60 psi (4.14 bar)

## Material

- Premium metal construction for durability and reliability
- KOHLER® finishes resist corrosion and tarnishing

## Installation

- For single-hole installation
- Flexible supply lines simplify installation

## Recommended Products/Accessories

- K-1893-C Soap/Lotion Dispenser
- K-1894-C Traditional soap/lotion dispenser
- K-1895-C Soap/Lotion Dispenser
- K-23723 Faucet cleaner



ADA

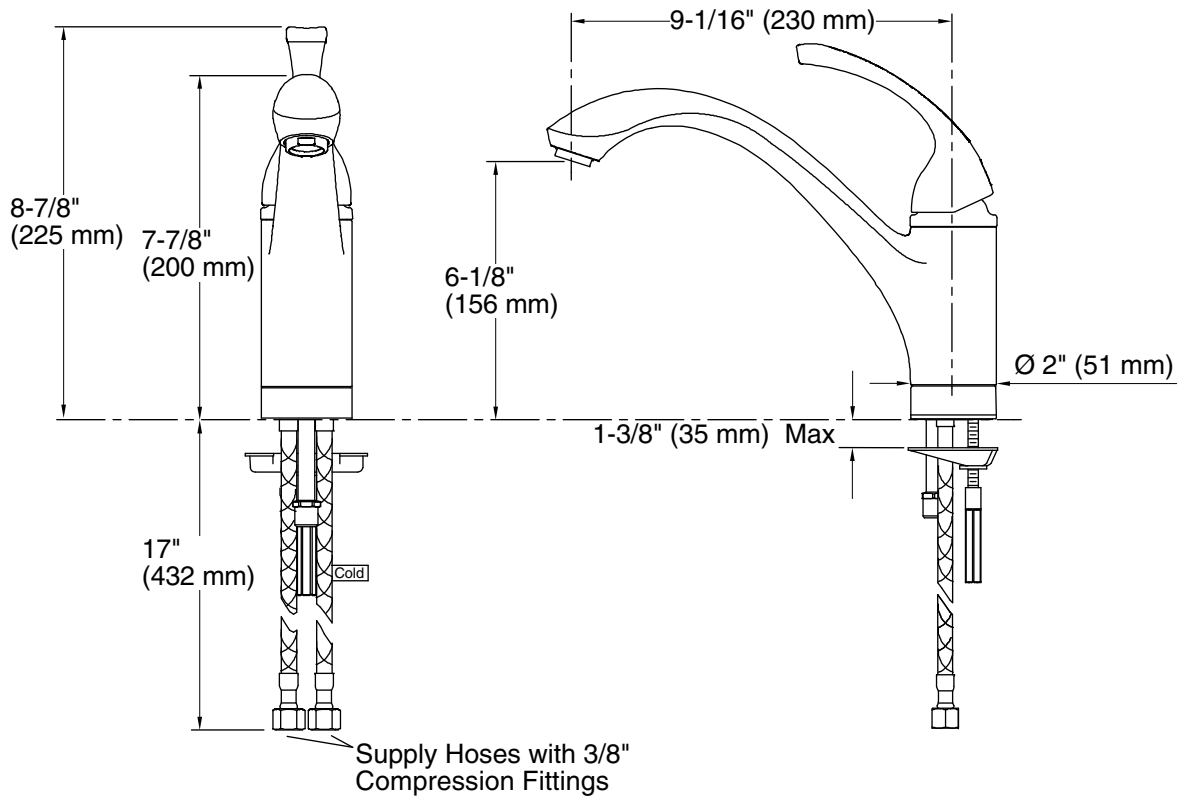
CSA B651

## Codes/Standards

ASME A112.18.1/CSA B125.1  
NSF/ANSI/CAN 61  
NSF/ANSI/CAN 372  
All applicable US Federal and State material regulations  
DOE - Energy Policy Act 1992  
California Energy Commission (CEC)  
ADA  
ICC/ANSI A117.1  
CSA B651  
IAPMO Certification

## KOHLER® Faucet Lifetime Limited Warranty

See website for detailed warranty information.



## Technical Information

All product dimensions are nominal.

### Faucet:

Flow rate: 1.5 gal/min (5.7 l/min)

### Spout:

Spout reach: 9-1/16" (230 mm)

## Notes

Install this product according to the installation guide.

ADA, CSA B651 compliant when installed to the specific requirements of these regulations.