

Features

- Hybrid heater technology provides instant and unlimited warm water for consistent comfort.
- Stainless-steel wand auto-cleanses before and after each use.
- Waterproof seat (IPX5 rated) can be cleaned and rinsed with spray of water.
- Waterproof remote control (IPX7 rated) can be fully submerged for cleaning.
- Separate front and rear nozzles for maximum comfort and personalization.
- Three-level adjustable nozzle position, water temperature, and water pressure.
- Oscillating wash covers a wider area of cleansing.
- Turbo setting produces a massaging effect as water moves back and forth.
- Air bubble wash offers a soft, gentle wash with effective cleansing.
- Auto cleansing mode with silver nano-technology for water sterilization while cleaning bidet wand.
- Child mode with soft, gentle wash provides a safe experience.
- Warm-air dryer with three heat levels.
- Heated seat with three temperature levels.
- Soft-close seat and lid prevent slamming.
- Sittable lid for convenience.
- Powerful, chemical-free, carbon filter air deodorizer automatically minimizes odors.
- One-touch detachable design for quick, easy cleaning.

Technology

- Remote control with large, easy-to-read icons; can be wall-mounted.
- Energy-saving feature.

Installation

- Fits most elongated toilets via quick-release brackets.
- 120 VAC electricity required.
- Includes T-valve, hoses, washers, mounting plate, nuts, bolts, manual, remote control, and 3 AA batteries.

Included Components

Additional Components:

- Remote
- Supply hose



Codes/Standards

ASME A112.4.2/CSA B45.16
UL 1431
CSA C22.2 No. 64
CSA C22.2 No. 68

KOHLER® Intelligent Toilet and C3® Cleansing Seat Three-Year Limited Warranty

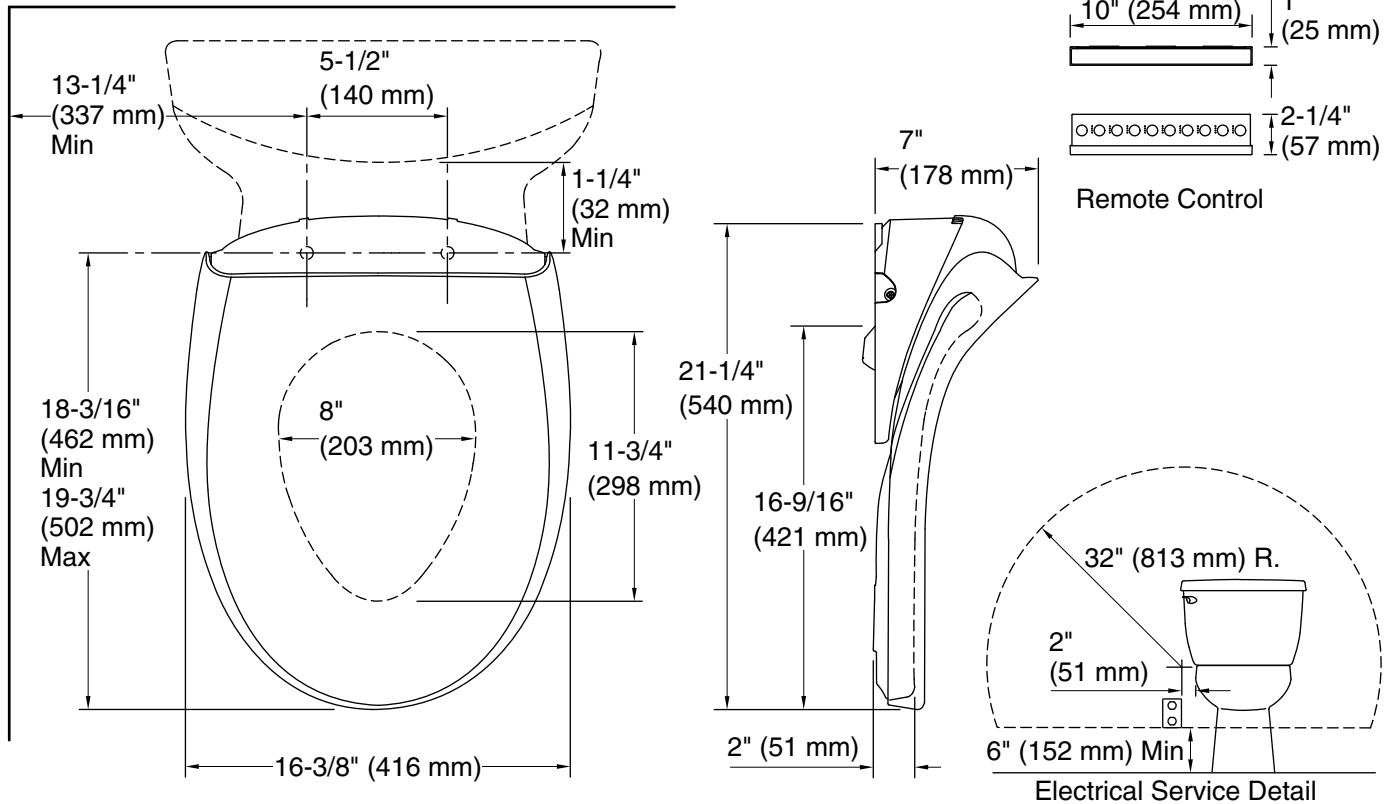
See website for detailed warranty information.

Available Colors/Finishes

Color tiles intended for reference only.

Color	Code	Description
-------	------	-------------

	N0	Novita White
--	----	--------------



Required Electrical Service

One dedicated circuit required, protected with Class A Ground-Fault Circuit-Interrupter (GFCI). Outside North America, this device may be known as a Residual Current Device (RCD).
120 V, 15 A, 60 Hz

Technical Information

All product dimensions are nominal.

Seat shape type: Elongated
Seat front type: Closed-front
Seat-mounting holes: 5-1/2" (140 mm)
Power cord length: 51" (1295 mm)

Notes

Install this product according to the installation instructions.

Connect the seat to a cold water supply of drinking quality water at a pressure of 20 psi - 80 psi (139 kPa - 551 kPa).

Do not install this seat in a location where: (1) water might be splashed on the product or (2) excessive moisture, high humidity levels, or condensation is present. This will avoid damage to the electronic components.

NOTICE: Do not use an extension cord with this product.

NOTICE: Do not plug in the seat until instructed to do so in the installation guide. This will avoid possible product malfunction.

Locate the receptacle at least 6" (152 mm) above the floor, and within a 32" (813 mm) radius measured 2" (51 mm) from the bowl ledge.