

Homeowners Guide

Bidet Seat

Record your model number:
Noter le numéro de modèle:
Anoté su número de modelo: _____

Français, page 16
Español, página 31

KOHLER®

Thank You for Choosing KOHLER

Need help? Contact our Customer Care Center.

- USA/Canada: 1-800-4KOHLER (1-800-456-4537) Mexico: 001-800-456-4537
- Service parts: [kohler.com/serviceparts](https://www.kohler.com/serviceparts)
- Care and cleaning: [kohler.com/clean](https://www.kohler.com/clean)
- Patents: [kohlercompany.com/patents](https://www.kohlercompany.com/patents)

Share your experience! Customer delight and a gracious product experience is our top priority and we want to know how we did. Post a review on the [kohler.com](https://www.kohler.com) product page for your product or on the website where you purchased your product.


Warranty

This product is covered under the KOHLER® Intelligent Toilet and C3® Cleansing Seat Three-Year Limited Warranty, found at [kohler.com/warranty](https://www.kohler.com/warranty). For a hardcopy of warranty terms, contact the Customer Care Center.


IMPORTANT SAFEGUARDS AND PRECAUTIONS


READ ALL INSTRUCTIONS BEFORE USING


When using electrical products, especially when children are present, basic safety precautions should always be followed, including the following:


 **DANGER: Risk of electric shock.** Connect only to a circuit protected by a Ground-Fault Circuit-Interrupter (GFCI)*.


*Outside North America, this may be known as a Residual Current Device (RCD).


 **WARNING: Risk of electric shock.** Disconnect the power before servicing.


 **WARNING: Risk of personal injury.** RG-3 UV radiation emitted from this device. Unintended use of the device, or damage to the housing, may result in exposure to ultraviolet radiation. Skin or eye injury could result. Avoid exposure of eyes and skin to unshielded lamp. Always be certain the lamp is off before opening the protective cover.


 **CAUTION: Risk of personal injury.** Replacement of the UV lamp must only be performed by qualified service personnel. The UV lamp cover has an interlock to reduce the risk of excessive ultraviolet radiation. Do not bypass the interlock. Reinstall the interlock after servicing.

 **CAUTION: Risk of product damage.** Do not install this product in a location exposed to excessive moisture where condensation might form on the product surface. Provide adequate ventilation when bathing to avoid damage to the electronic components due to high humidity levels.


 **CAUTION: Risk of product damage.** Do not supply electrical power to the unit until the plumbing installation work has been completed, as it may cause the product to malfunction.

 **CAUTION: Risk of product damage.** Do not apply excessive force to the spray wand.

 **CAUTION: Risk of property or product damage.** Pushing or pulling on the water connection may cause water leakage.

 **CAUTION: Risk of product damage.** In areas where water may freeze in the pipes, make arrangements to keep the pipes warm. Any water remaining in the seat may freeze during winter storage. Allow the unit to warm to room temperature before reinstalling or using.


NOTE: This product contains thermal protectors that may trip during storage or transportation in warm conditions, causing the unit to not operate. Allow the unit to cool to room temperature before installation or operation.

 **DANGER: To reduce the risk of electrocution:**

Do not place or store this product where it can fall or be pulled into a bath or sink.

Do not place in or drop into water or other liquid.

Do not reach for a product that has fallen into water. Unplug immediately.

 **WARNING: To reduce the risk of burns, electrocution, fire, or injury to persons:**

Close supervision is necessary when this product is used by or near children, the elderly, or invalids. Do not allow to be used as a toy. Adjust the temperature of the seat for the elderly, those who are incapacitated, or persons with sensitive skin.

Use this product only for its intended use as described in this manual. Only use attachments recommended by Kohler Co.

Never operate this product if it has a damaged cord or plug, if it is not working properly, if it has been dropped, damaged, or dropped into water. Return the product for examination and repair.

Keep the cord away from heated surfaces.

Never block the air openings of the product. Keep the air openings free of lint, hair, and the like.

Never use while sleeping or drowsy.

Never drop or insert any object into any opening or hose.

Do not use outdoors or operate where aerosol spray products are being used or where oxygen is being administered.

Connect this product to a properly grounded outlet only. See the "Grounding Instructions" section.


The use of this product is a supplement to and not a substitute for standard infection control practices; users must continue to follow all current infection control practices, including those related to the cleaning and disinfection of environmental surfaces.

This product conforms to applicable provisions of US 21 CFR, Chapter 1, Subchapter J, Radiological Health.

SAVE THESE INSTRUCTIONS

Grounding Instructions


This product should be grounded. In the event of an electrical short circuit, grounding reduces the risk of electric shock by providing an escape wire for the electric current. This product is equipped with a cord having a grounding wire with a grounding plug. The plug must be plugged into an electrical outlet that is properly installed and grounded.

 **DANGER: Risk of electric shock.** Improper use of the grounding plug can result in a risk of electric shock.

If repair or replacement of the cord or plug is necessary, do not connect the grounding wire to either flat blade terminal. The wire with insulation having an outer surface that is green with or without yellow stripes is the grounding wire.

Check with a qualified electrician or service personnel if the grounding instructions are not completely understood, or if in doubt whether the product is properly grounded.

This product is factory equipped with a specific electric cord and plug to permit connection to a proper electric circuit. Make sure that the product is connected to an outlet having the same configuration as the plug. No adapter should be used with this product. Do not modify the plug provided — if it will not fit the outlet, have the proper outlet installed by a qualified electrician. If the product must be reconnected for use on a different type of electric circuit, the connection should be made by qualified service personnel.

 **CAUTION: Risk of property damage.** If it is necessary to use an extension cord, a single cord may be used provided that the “Type” begins with “SJ”, the cord is a 12 gauge, grounded (12/3), is no longer than 25 feet (7.6 meters), and is plugged into a GFCI* electrical outlet. Promptly replace an extension cord that exhibits any sign of damage.

*Outside North America, this may be known as a Residual Current Device (RCD).

Remote Control Setup

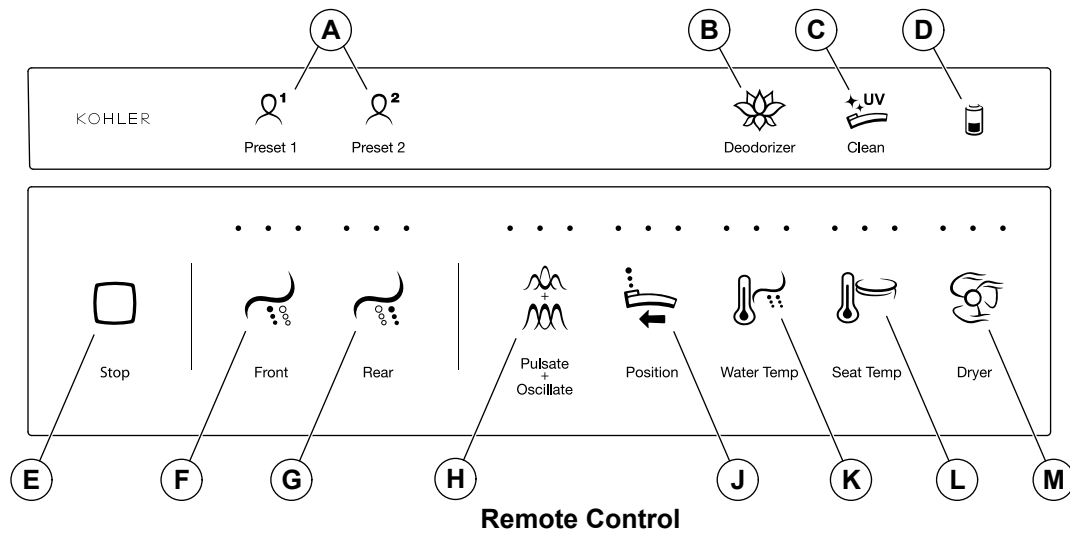
NOTE: A remote control must be paired with the toilet seat before use. The included remote control should already be paired with your seat. If a replacement remote control is required, follow the instructions below to pair with your seat.

NOTE: Only one remote control can be paired with the toilet seat at a time.

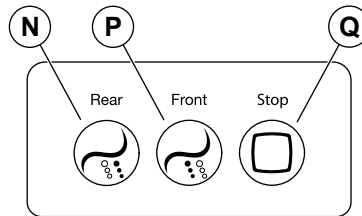
NOTE: The remote control cannot be paired while the toilet seat is occupied.

- Verify that four AA batteries are installed correctly in the remote control. Refer to the “Replacing the Batteries” section.
- Bring the new remote control near the seat.
- Verify that all other remote controls have been removed from the seat area.
- Press and hold the “**Dryer**” icon until the icon blinks.
- Simultaneously press and hold the “**Front**” and “**Rear**” icons on the seat until a beep is heard.
- When the “**Dryer**” icon on the remote control stops blinking, the remote control has been paired.

Directions For Use



Remote Control



Panel

NOTE: For features with multiple settings, press the icon to move the setting one level higher. If the feature is set at the highest level, pressing the icon will deactivate the feature or adjust it to a lower setting. The last setting used will be saved for the next use.

NOTE: Verify that four AA batteries are installed correctly in the remote control.

(A) - Preset 1 and Preset 2: The presets allow two users to save their feature settings. When “Preset 1” or “Preset 2” is selected, the saved preferences will activate. Refer to the “User Presets” section.

(B) - Deodorize: Press to activate the deodorizer. Press the “Stop” icon to deactivate.

(C) - Clean: Press to run the UV cleaning cycle. Lift the seat lid to end the UV cleaning cycle.

(D) - Battery Indicator: Shows the status of the battery charge. When the icon flashes, the batteries need to be replaced. Refer to the “Replacing the Batteries” section.

(E and Q) - Stop: Press to stop any activated wash features or the dryer.

(F and P) - Front: Press to activate the front wash feature and adjust the front wash water pressure. There are three settings.

(G and N) - Rear: Press to activate the rear wash feature and adjust the rear wash water pressure. There are three settings.

(H) - Pulsate + Oscillate: When front or rear wash is active, press the “Pulsate + Oscillate” When a wash feature is active, press the icon once to oscillate the wand back and forth. Press again to pulsate the water flow. Press a third time to oscillate and pulsate simultaneously. Press again to stop the feature.

(J) - Position: When a wash feature is active, press the icon to adjust the wand position. There are five settings.

(K) - Water Temp: Press to adjust the water spray temperature. There are five settings.

(L) - Seat Temp: Press to adjust the heated seat temperature. There are five settings.

(M) - Dryer: Press to activate the dryer. Press again to increase the air temperature. There are six settings.

User Presets

NOTE: The presets allow two users to save their feature settings. When **“Preset 1”** or **“Preset 2”** is selected, the saved preferences will activate.

NOTE: User presets will reset when the batteries are replaced in the remote control.

Setting the User Presets

- While seated, adjust the seat features to your preferences.
- Press and hold the **“Preset 1”** or **“Preset 2”** icon for 3 seconds to save activated features at the current settings.
- To change a user preset, adjust the seat features as desired while the preset is in use. Press and hold the **“Preset 1”** or **“Preset 2”** icon for 3 seconds to save the preset with the new preferences.

Using the User Presets

- While seated, press the **“Preset 1”** or **“Preset 2”** icon to activate saved features and settings.
- If the **“Preset 1”** or **“Preset 2”** icon is pressed while the seat is not occupied, the seat will gradually (approximately 2 minutes) change to the preset temperature.
- To reset or delete a preset, press and hold the **“Preset 1”** or **“Preset 2”** and the **“Stop”** icons at the same time for 3 seconds.

Enable/Disable Automatic Features

Deodorizer

- Press and hold the “**Deodorizer**” icon on the remote control until the icon blinks. Release and press the icon again.
- A short beep indicates that the feature is enabled. A long beep indicates that the feature is disabled.

Automatic UV Cleaning

- Press and hold the “**Clean**” icon on the remote control until the icon blinks. Release and press the icon again.
- A short beep indicates that the feature is enabled. A long beep indicates that the feature is disabled.

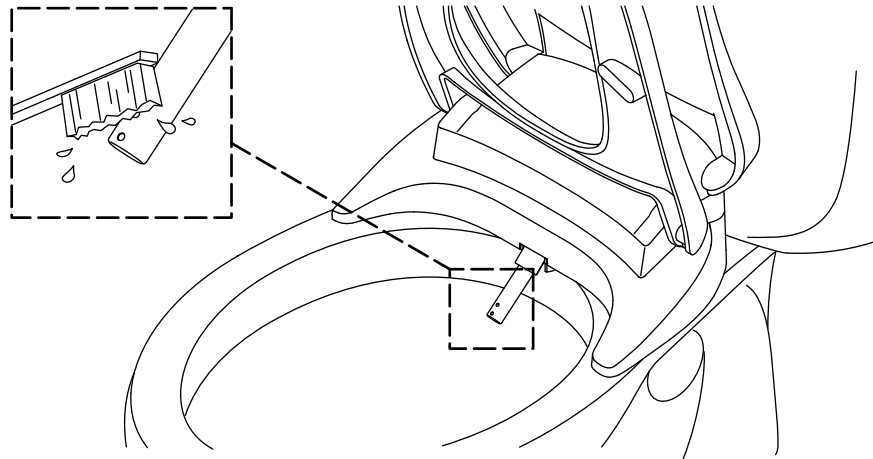
Nightlight

- To enable the nightlight, while not seated, press the “**Stop**” icon on the panel.
- To disable the nightlight, while not seated, press and hold the “**Stop**” icon on the panel for 3 seconds.

Energy Save

- To turn ON the Energy Save feature, press and hold the “**Seat Temp**” icon on the remote control.
- For general energy saving:** Press and hold the “**Seat Temp**” icon on the remote control for 3 seconds. A short beep and one nightlight blink indicates the general energy saving mode. This mode sets the seat temperature to 77°F (25°C) when the seat is not in use.
- For advanced energy saving:** Press and hold the “**Seat Temp**” icon on the remote control for 3 seconds. A short beep and two nightlight blinks indicate the advanced energy saving mode. This mode turns OFF the seat heater when the seat is not in use. The seat will warm to its set level when the seat is in use.
- To disable the Energy Save feature, press and hold the “**Seat Temp**” icon on the remote control for 3 seconds. A long beep and one nightlight blink indicates that the Energy Save feature is disabled and the seat will remain at its set level even when not in use.

Cleaning the Spray Wand



NOTE: The spray tip on the wand can become clogged over time with mineral deposits from the water. The spray wand should be cleaned when there is a reduction in spray performance.

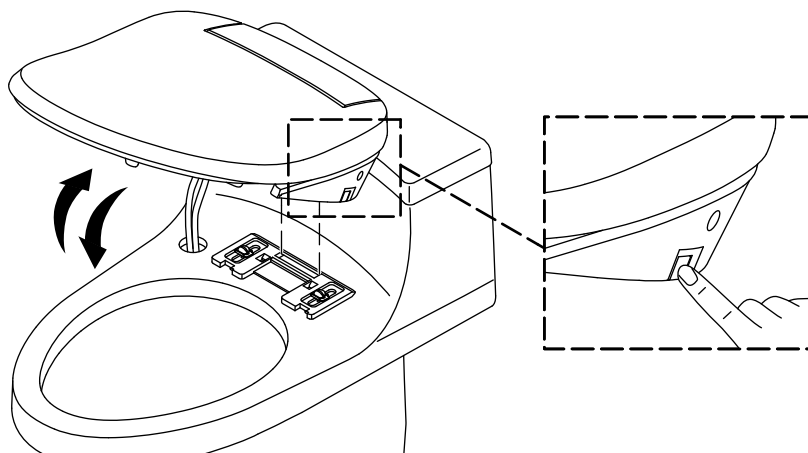
NOTE: The spray wand can only be extended for cleaning when the seat is not activated or occupied.

- Raise the lid and seat.
- Press and hold the **“Position”** icon on the panel to extend the wand forward for cleaning.
- Clean the spray wand with a soft-bristled brush and hot water.
- Press and hold the **“Position”** icon again to retract the wand.

Automatic UV Cleaning

- An automatic UV cleaning cycle activates every 24 hours.
- Lifting the seat lid will end a UV cycle that is in process.

Removing the Seat



IMPORTANT! When removing the seat for cleaning, take care to avoid tension on the hose connections.

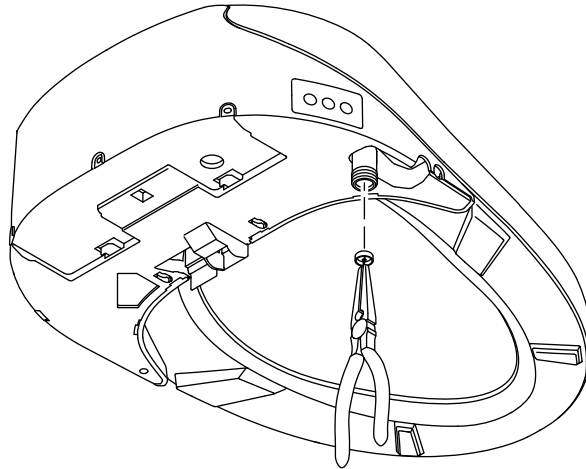
For Cleaning

- Press and hold the release button.
- Tilt the seat up and lift to remove. Avoid tension on the hose connections.
- Clean the area as needed.
- To reinstall, engage the rear edge of the seat with the lip on the mounting bracket. Then tilt the seat down to lock into place.

For Servicing

- Turn OFF the water at the supply stop.
- Flush the toilet to relieve water pressure.
- Unplug the power cord from the electrical outlet.
- Disconnect the water supply hose from the T-valve.
- Press and hold the release button.
- Tilt the seat up and lift to remove.
- When servicing is complete, reinstall the seat and reconnect all components.

Cleaning the Filter Screen

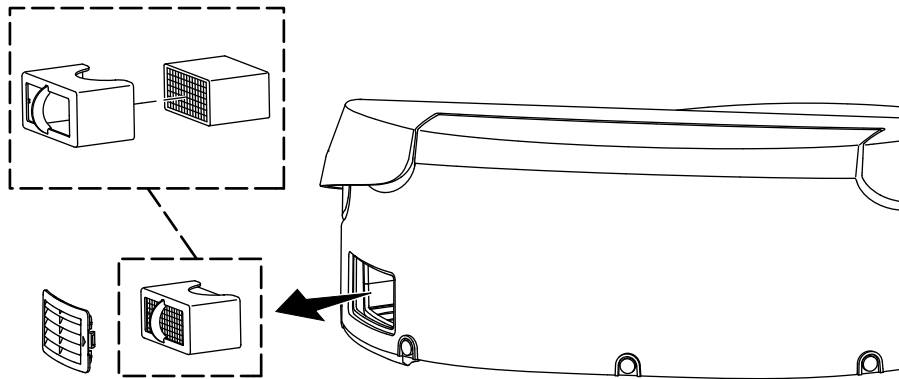


⚠ CAUTION: Risk of product damage. Do not cross-thread the hose connection to the inlet.

NOTE: Clean the filter screen every 6 months or when there is a reduction in the maximum water flow from the spray wand.

- Turn OFF the water at the supply stop.
- Flush the toilet to relieve water pressure.
- Unplug the power cord from the electrical outlet.
- Disengage the seat from the mounting bracket. Refer to the “Removing the Seat” section.
- Tilt the seat up and lift to allow access to the inlet port.
- Disconnect the water line from the white inlet port on the seat.
- Using long-nosed pliers, carefully remove the filter screen from the inlet.
- Clean the filter screen with a soft-bristled brush.
- Reinstall the filter screen.
- Reconnect the water line to the inlet, one-quarter turn past hand-tight.
- Reinstall the seat.
- Plug the power cord into the electrical outlet.
- Turn ON the water supply.
- Check all connections for leaks, and make adjustments as needed.

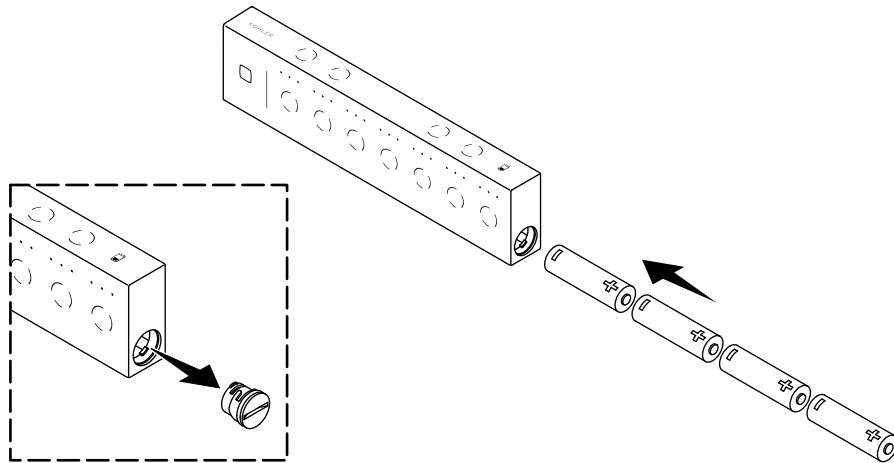
Replacing the Deodorizer



NOTE: Replace the deodorizer every 2 years or when the deodorizing performance decreases.

- Remove the cover.
- Carefully remove the deodorizer housing from the seat.
- Remove the deodorizer block from the housing.
- Insert the new deodorizer block into the housing.
- Reinstall the housing into the seat.
- Reinstall the cover.

Replacing the Batteries



- Remove the remote control from the docking station.
- Remove and retain the cap to the battery compartment.
- Remove the batteries.
- Install the replacement batteries, oriented as shown.
- Reinstall the cap to the battery compartment.
- Place the remote control on the docking station.

Troubleshooting

This troubleshooting guide is for general aid only. A Kohler Co. Authorized Service Representative (ASR) or qualified electrician should correct any electrical problems. For warranty service, contact your dealer or wholesale distributor, or contact the Customer Care Center using the information located in the front of this manual.

Start Up

When electrical power is connected to the toilet seat, the seat will automatically go through a start-up sequence. The sequence includes wand movement, water line purge, and nightlight blinks (if equipped). The toilet seat will go silent when the start-up sequence is complete.

If the seat does not function correctly upon completing the start-up sequence, or fails to start, contact the Customer Care Center using the information located in the front of this manual.

Cleansing Features Troubleshooting

Symptoms	Probable Cause	Recommended Action
1. Low or no water flow.	<p>A. The water supply to the seat is not turned ON.</p> <p>B. The filter screen is clogged.</p>	<p>A. Turn ON the water supply to the seat.</p> <p>B. Clean or replace the filter screen. Refer to the "Cleaning the Filter Screen" section.</p>
2. The seat features do not work.	<p>A. A power failure has occurred.</p> <p>B. The power cord is unplugged from the electrical outlet.</p> <p>C. The Ground-Fault Circuit-Interrupter (GFCI) or Residual Current Device (RCD) is tripped.</p> <p>D. The user is not detected by the seat sensor.</p>	<p>A. Wait until power is restored.</p> <p>B. Plug the power cord into a GFCI or RCD electrical outlet.</p> <p>C. Reset the GFCI or RCD.</p> <p>D1. Shift your position on the seat. The sensor is located near the front of the seat.</p> <p>D2. Children may be too small to be detected by the sensor.</p>
3. Water stops flowing from the spray wand before cleansing is complete.	<p>A. Cleansing automatically stops several minutes after pressing a spray icon.</p> <p>B. The user shifted position and is no longer detected by the seat sensor.</p>	<p>A. Press the "Front" or "Rear" icon to restart cleansing.</p> <p>B. Shift your position on the seat. The sensor is located near the front of the seat.</p>
4. The seat is loose.	<p>A. The mounting plate fasteners are loose.</p>	<p>A. Tighten the fasteners. Refer to the Installation Instructions.</p>

Remote Control Troubleshooting

Symptoms	Probable Cause	Recommended Action
1. The remote control does not turn on.	<p>A. The batteries are not properly installed.</p> <p>B. The batteries need to be replaced.</p>	<p>A. Reinstall the batteries. Refer to the "Replacing the Batteries" section.</p> <p>B. Replace the batteries. Refer to the "Replacing the Batteries" section.</p>

Symptoms	Probable Cause	Recommended Action
2. The remote control does not connect to the seat.	<p>A. The remote control is too far from the seat to receive a signal.</p> <p>B. The remote control is not paired with the seat.</p>	<p>A. Move the remote control closer to the seat to regain a connection.</p> <p>B. Pair the remote control to the seat. Refer to the “Remote Control Setup” section.</p>

Compliance

FCC ID: N82-KOHLER024, N82-KOHLER025

This device complies with Part 15 of the FCC Rules. Operation is subject to the following two conditions: (1) this device may not cause harmful interference, and (2) this device must accept any interference received, including interference that may cause undesired operation.

Changes or modifications not expressly approved by the party responsible for compliance could void the user’s authority to operate the equipment.

This equipment has been tested and found to comply with the limits for a Class B digital device, pursuant to Part 15 of the FCC Rules. These limits are designed to provide reasonable protection against harmful interference in a residential installation. This equipment generates, uses, and can radiate radio frequency energy and, if not installed and used in accordance with the instructions, may cause harmful interference to radio communications. However, there is no guarantee that interference will not occur in a particular installation. If this equipment does cause harmful interference to radio or television reception, which can be determined by turning the equipment off and on, the user is encouraged to try to correct the interference by one of the following measures:

- Reorient or relocate the receiving antenna.
- Increase the separation between the equipment and receiver.
- Connect the equipment into an outlet on a circuit different from that to which the receiver is connected.
- Consult the dealer or an experienced radio/TV technician for help.

RF Exposure Warning

This transmitter with its antenna complies with FCC’s RF exposure limits for general population/uncontrolled exposure. This device must not be co-located or operated in conjunction with any other antenna or transmitter. This device should be operated with a minimum distance of 7-7/8" (200 mm) between the radiator and your body.

IC: 4554A-KOHLER024, 4554A-KOHLER025

This device complies with Industry Canada license-exempt RSS standard(s). Operation is subject to the following two conditions: (1) this device may not cause interference, and (2) this device must accept any interference, including interference that may cause undesired operation of the device.

Under Industry Canada regulations, this radio transmitter may only operate using an antenna of a type and maximum (or lesser) gain approved for the transmitter by Industry Canada. To reduce potential radio interference to other users, the antenna type and its gain should be so chosen that the equivalent isotropically radiated power (EIRP) is not more than that necessary for successful communication.

Guide du propriétaire

Siège de bidet

Merci d'avoir choisi KOHLER

Besoin d'aide? Appeler notre centre de services à la clientèle.

- USA/Canada : 1-800-4KOHLER (1-800-456-4537) Mexique : 001-800-456-4537
- **Pièces d'entretien** : [kohler.com/serviceparts](https://www.kohler.com/serviceparts)
- **Entretien et nettoyage** : [kohler.com/clean](https://www.kohler.com/clean)
- **Brevets** : [kohlercompany.com/patents](https://www.kohlercompany.com/patents)

Partagez votre expérience! Le plaisir des clients et une expérience agréable du produit sont nos objectifs absolus et nous aimerions savoir ce que vous en pensez. Affichez vos commentaires sur la page du produit du site [kohler.com](https://www.kohler.com) ou sur le site Web où vous avez acheté votre produit.


Garantie

Ce produit est couvert sous la **garantie limitée de trois ans des toilettes intelligentes et sièges de nettoyage C3® KOHLER®**, fournie sur le site [kohler.com/warranty](https://www.kohler.com/warranty). Pour obtenir une copie imprimée des termes de la garantie, s'adresser au centre de services à la clientèle.


MESURES DE SAUVEGARDE ET DE PRÉCAUTION IMPORTANTES


LIRE TOUTES LES INSTRUCTIONS AVANT UTILISATION







Lors de l'utilisation de produits électriques, et en particulier en présence d'enfants, toujours observer les mesures de sécurité fondamentales, dont les suivantes :

 **DANGER : Risque de choc électrique.** Uniquement connecter à un circuit protégé par un disjoncteur de fuite de terre (GFCI)*.


*Hors de l'Amérique du Nord, ce dispositif peut être connu sous le nom de dispositif à courant résiduel (RCD).

 **AVERTISSEMENT : Risque de choc électrique.** Débrancher l'alimentation électrique avant un entretien.

 **AVERTISSEMENT : Risque de blessures.** Rayonnement RG-3 UV émis par ce dispositif. Une utilisation non prévue du dispositif ou un endommagement du logement pourrait créer une exposition à un rayonnement ultraviolet. Cela pourrait créer des lésions de la peau ou des yeux. Éviter toute exposition des yeux et de la peau à une lampe non protégée par un écran. Toujours s'assurer que la lampe est éteinte avant d'ouvrir le couvercle de protection.

-  **ATTENTION : Risque de blessures.** Le remplacement de la lampe UV peut seulement être effectué par un personnel d'entretien qualifié. Le couvercle de la lampe UV est doté d'un système de verrouillage destiné à réduire le risque d'un rayonnement ultraviolet excessif. Ne pas annuler le verrouillage. Réinstaller le verrouillage après l'entretien.
-  **ATTENTION : Risque d'endommagement du produit.** Ne pas installer ce produit dans un emplacement exposé à un excès d'humidité et où de la condensation pourrait se former sur la surface du produit. Fournir une ventilation adéquate lors des bains afin d'éviter d'endommager les composants électroniques en raison de niveaux d'humidité élevés.
-  **ATTENTION : Risque d'endommagement du produit.** Ne pas fournir d'alimentation électrique au dispositif avant d'avoir achevé le travail d'installation de la plomberie, étant donné que cela pourrait créer des problèmes de fonctionnement.
-  **ATTENTION : Risque d'endommagement du produit.** Ne pas appliquer de force excessive sur la baguette de pulvérisation.
-  **ATTENTION : Risque de dommages matériels ou d'endommagement du produit.** Des fuites d'eau pourraient se produire si l'on pousse ou tire sur le raccord d'eau.
-  **ATTENTION : Risque d'endommagement du produit.** Prendre les mesures nécessaires pour maintenir les tuyaux au chaud dans les régions où l'eau pourrait geler dans les tuyaux. Toute l'eau qui reste dans le siège pourrait geler pendant l'entreposage en hiver. Laisser le dispositif se réchauffer à la température ambiante avant de le réinstaller ou de l'utiliser.

REMARQUE : Ce produit contient des protecteurs thermiques qui pourraient se déclencher pendant l'entreposage ou le transport dans des conditions plus chaudes, et le dispositif ne fonctionnera pas. Laisser le dispositif se refroidir à la température ambiante avant de l'installer ou de l'utiliser.

 **DANGER : Pour réduire le risque d'électrocution :**

Ne pas placer ou entreposer ce produit dans un endroit où il pourrait tomber ou d'où il pourrait être tiré et tomber dans une baignoire ou un lavabo.

Ne pas placer et ne pas laisser tomber ce produit dans de l'eau ou un autre liquide.

Ne pas essayer de récupérer un produit qui est tombé dans de l'eau. Débrancher le dispositif immédiatement.

 **AVERTISSEMENT : Pour réduire le risque de brûlures, d'électrocution, d'incendie ou de lésions corporelles :**

Il est nécessaire de superviser de près lorsque ce produit est utilisé par des enfants, des personnes âgées ou invalides. Ne pas laisser utiliser ce produit en tant que jouet. Ajuster la température du siège pour les personnes âgées, les personnes frappées d'incapacité, ou les personnes dont la peau est sensible.

Utiliser ce produit uniquement pour l'usage auquel il est destiné, comme décrit dans ce manuel. Uniquement utiliser des accessoires recommandés par Kohler Co.

Ne jamais faire fonctionner ce produit si son cordon ou sa prise sont endommagés, s'il ne fonctionne pas correctement, s'il est tombé, s'il est endommagé, ou s'il est tombé dans de l'eau. Retourner le produit pour le faire examiner et réparer.

Tenir le cordon à distance de surfaces chauffées.

Ne jamais bloquer les ouvertures d'air du produit. S'assurer de l'absence de peluches, de cheveux ou d'autres éléments similaires sur les ouvertures d'air.

Ne jamais utiliser ce dispositif lorsque l'on dort ou si l'on se sent somnolent.

Ne jamais faire tomber ou insérer un objet quelconque dans une ouverture ou un tuyau.

Ne pas utiliser ce dispositif à l'extérieur et ne pas le faire fonctionner en présence de produits aérosols ou si l'on administre de l'oxygène.

Connecter ce produit à une prise mise à la terre de manière adéquate uniquement. Voir la section « Instructions de mise à la terre ».


L'utilisation de ce produit est un supplément des pratiques de prévention des infections standard et non pas un substitut de telles pratiques; les utilisateurs doivent continuer à respecter toutes les pratiques de prévention des infections actuelles, y compris celles qui ont trait au nettoyage et à la désinfection des surfaces environnementales.

Ce produit est conforme aux conditions applicables de l'US 21 CFR, Chapitre 1, Sous-chapitre J, Radiological Health (Hygiène radiologique).

CONSERVER CES INSTRUCTIONS

Instructions de mise à la terre


Ce produit doit être mis à la terre. En cas de court-circuit électrique, la mise à la terre réduit le risque de choc électrique en fournissant un câble d'échappement pour le courant électrique. Ce produit est équipé d'un cordon muni d'un câble de mise à la terre avec une fiche de mise à la terre. La fiche doit être branchée sur une prise électrique installée et mise à la terre de manière adéquate.

 **DANGER : Risque de choc électrique.** L'utilisation incorrecte de la fiche de mise à la terre peut résulter en risque de choc électrique.

S'il est nécessaire de réparer ou de remplacer le cordon ou la fiche, ne pas brancher le câble de mise à la terre à l'une des bornes à lame plate. Le câble avec isolation dont la surface extérieure est verte avec ou sans rayures jaunes est le câble de mise à la terre.

Vérifier auprès d'un électricien qualifié ou d'un dépanneur si les instructions de mise à la terre ne sont pas bien comprises ou en cas de doute sur la mise à la terre adéquate du produit.

Ce produit est équipé en usine avec un cordon et une fiche électriques spécifiques pour permettre le branchement à un circuit électrique adéquat. S'assurer que le produit est connecté à une prise ayant la même configuration que celle de la fiche. Aucun adaptateur ne doit être utilisé avec ce produit. Ne pas modifier la fiche fournie - si elle ne s'adapte pas à la prise, faire installer une prise adéquate par un électricien qualifié. Si le produit doit être rebranché pour être utilisé sur un circuit électrique différent, le branchement doit être effectué par un personnel qualifié.

 **ATTENTION : Risque de dommages matériels.** S'il est nécessaire d'utiliser une rallonge, un seul cordon peut être utilisé à condition que le « Type » commence avec « SJ », que le cordon soit de calibre 12, qu'il soit mise à la terre (12/3), qu'il ne dépasse pas 25 pi (7,6 mètres), et qu'il soit branché dans une prise électrique GFCI*. Remplacer immédiatement une rallonge qui exhibe des signes de dommages quelconques.

*Hors de l'Amérique du Nord, ce dispositif peut être connu sous le nom de dispositif à courant résiduel (RCD).

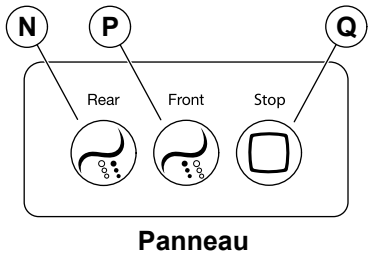
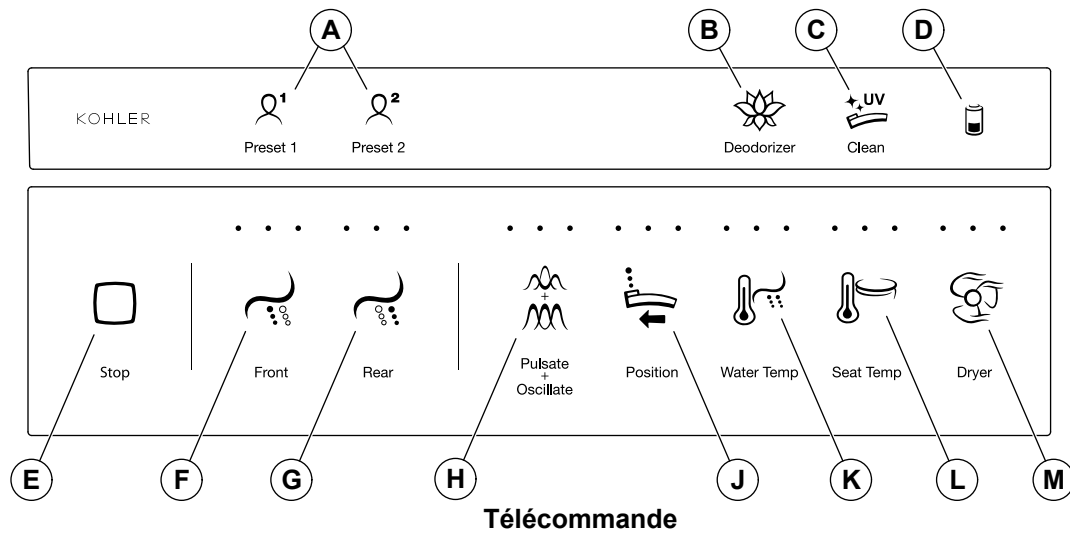
Configuration de la télécommande

REMARQUE : Une télécommande doit être appariée avec le siège de la toilette avant utilisation. La télécommande incluse devrait déjà être appariée avec le siège. Si une télécommande de rechange est requise, suivre les instructions ci-dessous pour l'apparier avec le siège.

REMARQUE : Une seule télécommande peut être appariée avec le siège de la toilette à la fois.

REMARQUE : La télécommande ne peut pas être appariée lorsque le siège de la toilette est occupé.

- Vérifier que quatre piles AA sont installées correctement dans la télécommande. Se reporter à la section « Remplacer les piles ».
- Amener la nouvelle télécommande à proximité du siège.
- Vérifier que toutes les autres télécommandes ont été retirées de la zone du siège.
- Appuyer longuement sur l'icône « **Dryer** » (**Séchoir**) jusqu'à ce que l'icône clignote.
- Appuyer simultanément et longuement sur les icônes « **Front** » (**Avant**) et « **Rear** » (**Arrière**) du siège jusqu'à ce qu'un bip soit entendu.
- Lorsque l'icône « **Dryer** » (**Séchoir**) de la télécommande s'arrête de clignoter, la télécommande a été appariée.



REMARQUE : Pour les fonctions avec plusieurs réglages, appuyer sur l'icône pour déplacer le réglage à un niveau supérieur. Si la fonction est réglée au niveau le plus élevé, la fonction est désactivée ou ajustée à un réglage inférieur lorsque l'on appuie sur l'icône. Le dernier réglage utilisé sera sauvegardé pour la prochaine utilisation.

REMARQUE : Vérifier que quatre piles AA sont installées correctement dans la télécommande.

(A) - Preset 1 (Préréglage 1) et Preset 2 (Préréglage 2) : Les préréglages permettent à deux utilisateurs d'enregistrer leurs réglages des fonctionnalités. Lorsque les options « **Preset 1** » (**Préréglage 1**) ou « **Preset 2** » (**Préréglage 2**) sont sélectionnées, les préférences enregistrées sont activées. Se reporter à la section « Préréglages utilisateurs ».

(B) - Deodorize (Désodoriser) : Appuyer pour activer le désodorisant. Appuyer sur l'icône « **Stop** » (**Arrêt**) pour désactiver.

(C) - Clean (Nettoyer) : Appuyer pour exécuter le cycle de nettoyage UV. Relever le couvercle du siège pour terminer le cycle de nettoyage UV.

(D) - Indicateur de piles : Indique l'état de charge des piles. Lorsque l'icône clignote, il est nécessaire de remplacer les piles. Se reporter à la section « Remplacer les piles ».

(E et Q) - Stop (Arrêt) : Appuyer pour arrêter toutes les fonctions de lavage activées ou le séchoir.

(F et P) - Front (Avant) : Appuyer pour activer la fonction de lavage avant et ajuster la pression d'eau de lavage avant. Trois configurations sont possibles.

(G et N) - Rear (Arrière) : Appuyer pour activer la fonction de lavage arrière et ajuster la pression d'eau de lavage arrière. Trois configurations sont possibles.

(H) - Pulsate + Oscillate (Pulser + Osciller) : Lorsque le nettoyage avant ou arrière est activé, , appuyer une fois sur l'icône « **Pulsate + Oscillate** » (**Pulsation + Oscillation**) Lorsque une fonction de lavage est activée, appuyer une fois sur l'icône pour faire osciller la baguette dans un mouvement d'avant en arrière. Appuyer de nouveau pour pulser le débit d'eau. Appuyer une troisième fois pour osciller et pulser simultanément. Appuyer de nouveau pour arrêter la fonction.

(J) - Position : Lorsqu'une fonction de lavage est activée, appuyer sur l'icône pour ajuster la position de la baguette. Cinq réglages sont possibles.

(K) - Water Temp (Température de l'eau) : Appuyer pour ajuster la température de pulvérisation d'eau. Cinq réglages sont possibles.

(L) - Seat Temp (Température du siège) : Appuyer pour ajuster la température du siège chauffé. Cinq réglages sont possibles.

(M) - Dryer (Séchoir) : Appuyer pour activer le séchoir. Appuyer de nouveau pour augmenter la température de l'air. Six réglages sont possibles.

Préréglages utilisateur

REMARQUE : Les préréglages permettent à deux utilisateurs d'enregistrer leurs réglages des fonctions. Lorsque les options « **Preset 1** » (**Préréglage 1**) ou « **Preset 2** » (**Préréglage 2**) sont sélectionnées, les préférences enregistrées sont activées.

REMARQUE : Les préréglages des utilisateurs sont réinitialisés lors du remplacement des piles dans la télécommande.

Configuration des préréglages utilisateur

- Pendant que l'on est assis, ajuster les fonctions du siège selon les préférences.
- Appuyer longuement sur l'icône « **Preset 1** » (**Préréglage 1**) ou « **Preset 2** » (**Préréglage 2**) pendant 3 secondes pour enregistrer les fonctions activées aux réglages actuels.
- Pour changer un préréglage utilisateur, ajuster les fonctions du siège comme souhaité pendant que le préréglage est en cours d'utilisation. Appuyer longuement sur l'icône « **Preset 1** » (**Préréglage 1**) ou « **Preset 2** » (**Préréglage 2**) pendant 3 secondes pour enregistrer le préréglage avec les nouvelles préférences.

Utilisation des préréglages utilisateur

- Pendant que l'on est assis, appuyer sur l'icône « **Preset 1** » (**Préréglage 1**) ou « **Preset 2** » (**Préréglage 2**) pour activer les fonctions et les réglages enregistrés.
- Si l'on appuie sur l'icône « **Preset 1** » (**Préréglage 1**) ou « **Preset 2** » (**Préréglage 2**) alors que le siège n'est pas occupé, le siège change graduellement (environ 2 minutes) à la température préréglée.
- Pour réinitialiser ou supprimer un préréglage, appuyer simultanément sur les icônes « **Preset 1** » (**Préréglage 1**) ou « **Preset 2** » (**Préréglage 2**) et « **Stop** » (**Arrêt**) et continuer à appuyer pendant 3 secondes.

Activer/désactiver les fonctions automatiques

Désodorisant

- Appuyer longuement sur l'icône « **Deodorizer** » (**Désodoriser**) de la télécommande jusqu'à ce que l'icône clignote. Relâcher et appuyer de nouveau sur l'icône.
- Un bip bref indique que la fonction est activée. Un bip long indique que la fonction est désactivée.

Nettoyage automatique par UV

- Appuyer longuement sur l'icône « **Clean** » (**Nettoyer**) de la télécommande jusqu'à ce que l'icône clignote. Relâcher et appuyer de nouveau sur l'icône.
- Un bip bref indique que la fonction est activée. Un bip long indique que la fonction est désactivée.

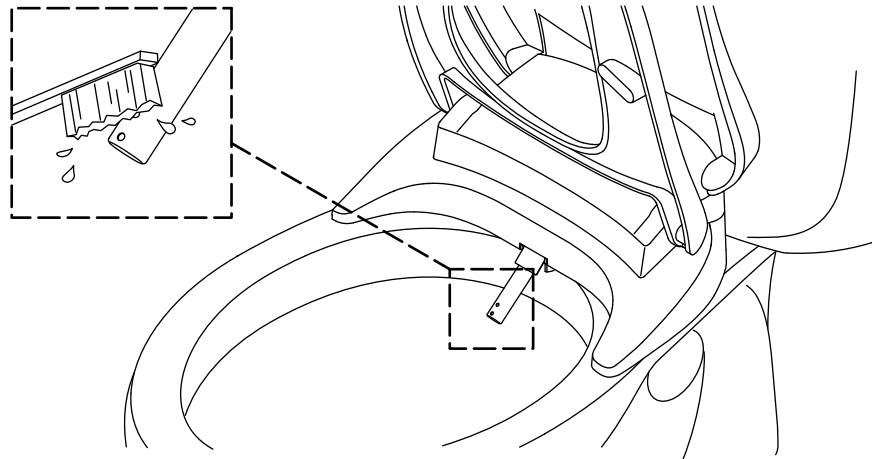
Veilleuse

- Pour activer la veilleuse, sans être assis, appuyer sur l'icône « **Stop** » (**Arrêt**) sur le panneau.
- Pour éteindre la veilleuse, sans être assis, appuyer sur l'icône « **Stop** » (**Arrêt**) sur le panneau et continuer à appuyer pendant 3 secondes.

Économie d'énergie

- Pour activer la fonction d'économie d'énergie, appuyer sur l'icône « **Seat Temp** » (**Température de siège**) sur la télécommande.
- Pour une économie d'énergie générale :** Appuyer pendant 3 secondes sur l'icône « **Seat Temp** » (**Température de siège**) sur la télécommande. Un bip court et un clignotement de veilleuse indiquent le mode d'économie d'énergie générale. Ce mode règle la température du siège à 25 °C (77 °F) lorsque celui-ci n'est pas utilisé.
- Pour une économie d'énergie avancée :** Appuyer pendant 3 secondes sur l'icône « **Seat Temp** » (**Température de siège**) sur la télécommande. Un bip court et deux clignotements de veilleuse indiquent le mode d'économie d'énergie avancée. Ce mode désactive le chauffage du siège lorsque ce dernier n'est pas utilisé. Le siège se réchauffe au niveau auquel il a été réglé lorsqu'il est utilisé.
- Pour désactiver la fonction d'économie d'énergie, appuyer pendant 3 secondes sur l'icône « **Seat Temp** » (**Température de siège**) sur la télécommande. Un long bip et un clignotement de veilleuse indiquent que la fonction d'économie d'énergie est désactivée et le siège reste au niveau auquel il a été réglé même lorsqu'il n'est pas utilisé.

Nettoyage de la baguette de pulvérisation



REMARQUE : L'extrémité de pulvérisation sur la tige peut se boucher au cours du temps avec des dépôts minéraux provenant de l'eau. La baguette de pulvérisation doit être nettoyée lorsque le rendement de la pulvérisation est réduit.

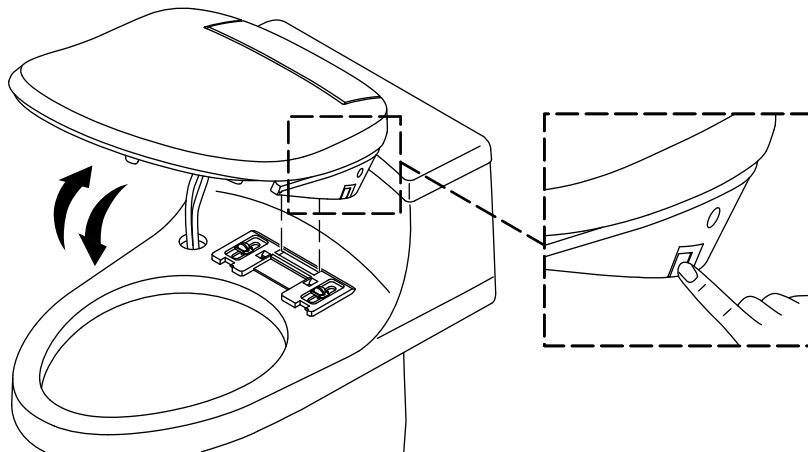
REMARQUE : La baguette de pulvérisation peut seulement être prolongée pour le nettoyage lorsque le siège n'est pas activé ou occupé.

- Lever le couvercle et le siège.
- Appuyer longuement sur l'icône « **Position** » sur le panneau pour prolonger la baguette vers l'avant pour le nettoyage.
- Nettoyer la baguette de pulvérisation avec une brosse à poils doux et de l'eau chaude.
- Appuyer de nouveau longuement sur l'icône « **Position** » pour rétracter la baguette.

Nettoyage automatique par UV

- Un cycle de nettoyage automatique par UV s'active toutes les 24 heures.
- Un cycle UV en cours se termine lorsque le couvercle du siège est relevé.

Retrait du siège



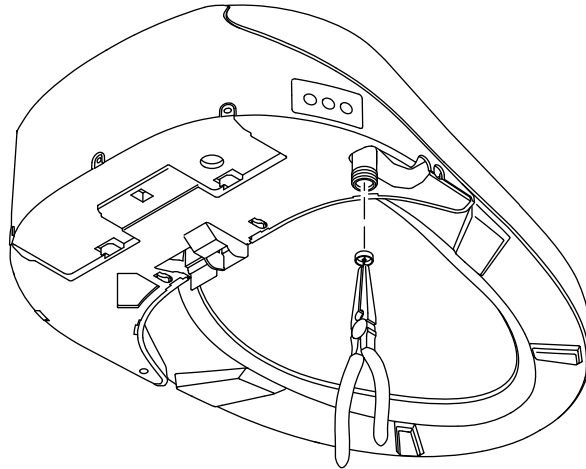
IMPORTANT! Lors du retrait du siège pour un nettoyage, veiller à ne pas exercer de tension sur les raccords du tuyau.

Pour le nettoyage

- Appuyer longuement sur le bouton de dégagement.
- Basculer le siège vers le haut et le soulever pour le retirer. Éviter d'exercer une tension sur les raccords de tuyaux.
- Nettoyer la zone au besoin.
- Pour réinstaller, engager le bord arrière du siège avec la lèvre sur le support de fixation. Basculer ensuite le siège vers le bas pour le verrouiller en place.

Pour l'entretien

- Couper l'eau au niveau du robinet d'arrêt d'alimentation.
- Passer la chasse pour relâcher la pression d'eau.
- Débrancher le cordon d'alimentation de la prise électrique.
- Déconnecter le tuyau d'alimentation en eau de la vanne en T.
- Appuyer longuement sur le bouton de dégagement.
- Basculer le siège vers le haut et le soulever pour le retirer.
- Lorsque l'entretien est terminé, réinstaller le siège et reconnecter tous les composants.

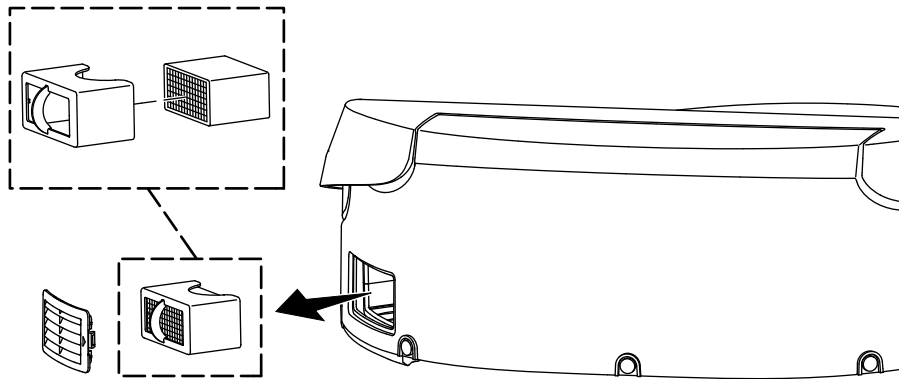


ATTENTION : Risque d'endommagement du produit. Ne pas fausser le filetage du raccord du tuyau à l'orifice d'entrée.

REMARQUE : Nettoyer la crépine tous les 6 mois ou lorsqu'il y a une réduction dans le débit d'eau maximum en provenance de la baguette de pulvérisation.

- Couper l'eau au niveau du robinet d'arrêt d'alimentation.
- Passer la chasse pour relâcher la pression d'eau.
- Débrancher le cordon d'alimentation de la prise électrique.
- Désengager le siège du support de fixation. Se reporter à la section « Retrait du siège ».
- Basculer le siège vers le haut et le lever pour permettre d'accéder au port d'entrée.
- Déconnecter la conduite d'eau du port d'entrée blanc sur le siège.
- À l'aide d'une pince à bec long, retirer avec précaution la crépine de l'orifice d'entrée.
- Nettoyer la crépine avec une brosse à poils doux.
- Réinstaller la crépine.
- Reconnecter la conduite d'eau à l'orifice d'entrée, d'un quart de tour au-delà du serrage à la main.
- Réinstaller le siège.
- Brancher le cordon d'alimentation dans la prise électrique.
- Ouvrir l'alimentation en eau.
- Inspecter tous les raccords pour y rechercher des fuites éventuelles et effectuer des ajustements au besoin.

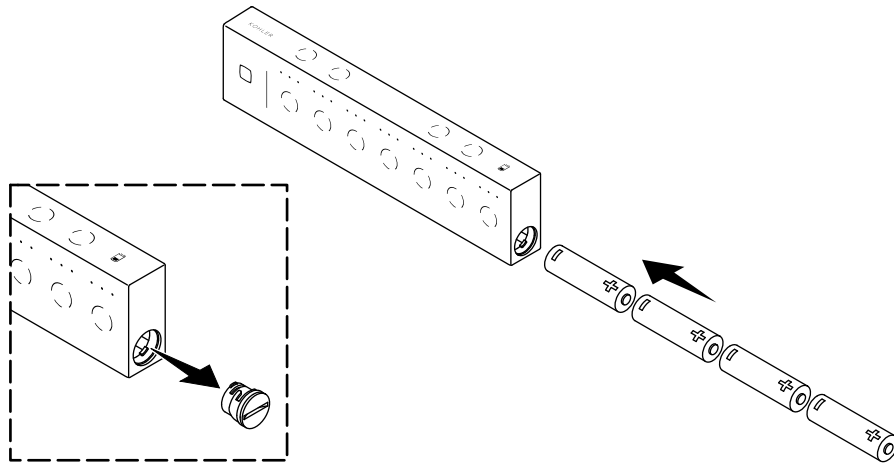
Remplacement du désodorisant



REMARQUE : Remplacer le désodorisant tous les 2 ans ou lorsque son rendement diminue.

- Retirer le couvercle.
- Retirer avec précaution le logement du désodorisant du siège.
- Retirer le bloc de désodorisant du logement.
- Insérer le bloc de désodorisant neuf dans le logement.
- Réinstaller le logement dans le siège.
- Réinstaller le couvercle.

Remplacement des piles



- Retirer la télécommande de la station d'accueil.
- Retirer et conserver le couvercle du compartiment à piles.
- Retirer les piles.
- Installer les piles de rechange, orientées comme sur l'illustration.
- Réinstaller le couvercle sur le porte-piles.
- Placer la télécommande sur la station d'accueil.

Dépannage

Ce guide de dépannage est destiné à fournir une aide d'ordre général uniquement. Un représentant du service agréé (ASR) de Kohler Co. ou un électricien qualifié doit rectifier tous les problèmes électriques. Pour obtenir un service de garantie, s'adresser au concessionnaire ou au distributeur en gros, ou s'adresser au centre de services à la clientèle en utilisant les renseignements fournis à l'avant de ce manuel.

Démarrage

Lorsqu'une alimentation électrique est connectée au siège de la toilette, le siège passe automatiquement par une séquence de démarrage. La séquence inclut un déplacement de la baguette, une purge de la conduite d'eau, et la veilleuse clignote (si présente). Le siège de la toilette ne fait plus de bruit lorsque la séquence de démarrage est terminée.

Si le siège ne fonctionne pas correctement lors de l'exécution de la séquence de démarrage, ou si elle ne se met pas en marche, s'adresser au centre de services à la clientèle en utilisant les renseignements fournis sur la page avant de ce manuel.

Dépannage des fonctions de nettoyage

Symptômes	Cause probable	Action recommandée
1. Débit d'eau bas ou pas d'eau.	A. L'alimentation en eau vers le siège n'est pas ouverte. B. La crépine est obstruée.	A. Ouvrir l'alimentation en eau vers le siège. B. Nettoyer ou remplacer la crépine. Se reporter à la section « Nettoyer le tamis ».
2. Les fonctions du siège ne fonctionnent pas.	A. Une erreur d'alimentation électrique s'est produite. B. Le cordon d'alimentation est débranché de la prise électrique. C. Le disjoncteur de fuite de terre (GFCI) ou le dispositif à courant résiduel (RCD) s'est déclenché. D. L'utilisateur n'est pas détecté par le capteur du siège.	A. Attendre que l'alimentation électrique soit restaurée. B. Brancher le cordon d'alimentation dans une prise électrique protégée par un dispositif GFCI ou RCD. C. Réinitialiser le dispositif GFCI ou RCD. D1. Changer de position sur le siège. Le capteur se trouve à proximité de l'avant du siège. D2. Les enfants pourraient être trop petits pour être détectés par le capteur.
3. L'eau s'arrête de s'écouler de la baguette de pulvérisation avant que le nettoyage soit terminé.	A. Le nettoyage s'arrête automatiquement plusieurs minutes après un appui sur une icône de pulvérisation. B. L'utilisateur a changé de position et n'est plus détecté par le capteur du siège.	A. Appuyer sur l'icône « Front » (Avant) ou « Rear » (Arrière) pour redémarrer le nettoyage. B. Changer de position sur le siège. Le capteur se trouve à proximité de l'avant du siège.
4. Le siège est desserré.	A. Les dispositifs d'attache de la plaque de fixation sont desserrés.	A. Serrer les dispositifs d'attache. Consulter les instructions d'installation.

Dépannage de la télécommande

Symptômes	Cause probable	Action recommandée
1. La télécommande ne se met pas en marche.	A. Les piles ne sont pas installées correctement. B. Les piles doivent être remplacées.	A. Réinstaller les piles. Se reporter à la section « Remplacer les piles ». B. Remplacer les piles. Se reporter à la section « Remplacer les piles ».
2. La télécommande ne se connecte pas au siège.	A. La télécommande est trop éloignée du siège pour recevoir un signal. B. La télécommande n'est pas appariée avec le siège.	A. Amener la télécommande plus près du siège pour regagner une connexion. B. Appairer la télécommande au siège. Se reporter à la section « Configuration de la télécommande ».

Conformité

ID FCC : N82-KOHLER024, N82-KOHLER025

Ce dispositif est conforme à la section 15 des réglementations de la FCC. L'utilisation est assujettie aux deux conditions suivantes : (1) Ce dispositif ne peut pas créer un brouillage nuisible, et (2) ce dispositif doit accepter tous les brouillages captés, y compris les brouillages qui pourraient créer un fonctionnement non souhaité.

Tous changements ou modifications non expressément approuvés par la partie responsable garantissant la conformité pourraient annuler le droit à l'utilisateur d'opérer cet équipement.

Cet équipement a été testé et a été considéré être conforme aux limitations pour un dispositif numérique de classe B, selon la section 15 des réglementations FCC. Ces limites sont conçues pour fournir une protection raisonnable contre tout brouillage nuisible dans une installation résidentielle. Ce dispositif génère, utilise et peut émettre une énergie de radiofréquence et, s'il n'est pas installé et utilisé conformément aux instructions, pourrait créer des brouillages nuisibles aux communications par radio. Cependant, il n'est pas garanti qu'aucun brouillage n'aura lieu dans une installation particulière. Si cet équipement cause des brouillages radio nuisibles à la réception de radio ou de télévision, ce qui peut être déterminé en éteignant l'équipement et en le rallumant, l'utilisateur est encouragé à essayer de rectifier ce brouillage par l'un des moyens suivants :

- Réorienter ou changer l'emplacement de l'antenne de réception.
- Augmenter la séparation entre l'équipement et le récepteur.
- Brancher l'équipement sur une prise d'un circuit différent de celui auquel le récepteur est connecté.
- Consulter le concessionnaire ou un technicien radio/TV expérimenté pour obtenir de l'assistance.

Avertissement d'exposition RF

Cet émetteur et son antenne sont conformes aux limites d'exposition RF de la FCC pour le public général/l'exposition non contrôlée. Ce dispositif ne doit pas être co-localisé ou opéré avec toute autre antenne ou tout autre émetteur. Ce dispositif doit être utilisé en laissant une distance minimale de 7-7/8 po (200 mm) entre le radiateur et votre corps.

IC : 4554A-KOHLER024, 4554A-KOHLER025

Ce dispositif est conforme aux normes CNR exemptes de licence d'Industrie Canada. L'utilisation est assujettie aux deux conditions suivantes : (1) Ce dispositif ne peut pas créer de brouillage, et (2) ce dispositif doit accepter tous les brouillages, y compris ceux qui pourraient créer un fonctionnement non souhaité dudit dispositif.

Selon les réglementations d'Industrie Canada, cet émetteur radio peut seulement fonctionner en utilisant une antenne d'un gain maximum (ou moins) et d'un type approuvé pour l'émetteur par Industrie Canada. Pour réduire le potentiel d'un brouillage radio pour d'autres utilisateurs, le type d'antenne et son gain doivent être choisis de manière à ce que la puissance isotrope rayonnée équivalente (PIRE) ne soit pas supérieure à ce qui est nécessaire pour une communication réussie.

Guía del usuario

Asiento bidet

Gracias por elegir productos KOHLER

¿Necesita ayuda? Comuníquese con nuestro Centro de Atención al Cliente.

- EE. UU./Canadá: 1-800-4KOHLER (1-800-456-4537) México: 001-800-456-4537
- **Piezas de repuesto:** kohler.com/serviceparts
- **Cuidado y limpieza:** kohler.com/clean
- **Patentes:** kohlercompany.com/patents

¡**Comparta sus experiencias!** Ofrecer deleite y una experiencia refinada a los clientes es nuestra mayor prioridad, y deseamos saber si lo logramos. Escriba una reseña en la página del producto en kohler.com o en el sitio de Internet donde haya adquirido su producto.


Garantía

A este producto lo cubre la **garantía limitada de tres años para inodoros inteligentes y asientos de limpieza C3® de KOHLER®**, que puede consultarse en kohler.com/warranty. Si lo desea, solicite al Centro de Atención al Cliente una copia impresa de los términos de la garantía.

IMPORTANTES SALVAGUARDIAS Y PRECAUCIONES


LEA TODAS LAS INSTRUCCIONES ANTES DE USAR


Al usar productos eléctricos, en especial cuando haya niños presentes, siempre cumpla las precauciones básicas de seguridad, como las siguientes:


 **PELIGRO: Riesgo de sacudidas eléctricas.** Solo conecte a un circuito protegido por un interruptor de circuito con pérdida a tierra (GFCI)*.


*Fuera de Estados Unidos es posible que este se conozca como dispositivo de corriente residual (RCD).


 **AVISO: Riesgo de sacudidas eléctricas.** Desconecte el suministro eléctrico antes de dar servicio.


 **AVISO: Riesgo de lesiones personales.** Este dispositivo emite radiación ultravioleta RG-3. El uso accidental del dispositivo, o daños al alojamiento, pueden ocasionar exposición a radiación ultravioleta. Estos podrían ocasionar lesiones a la piel o a los ojos. Evite que los ojos y la piel queden expuestos a la lámpara al descubierto. Siempre asegúrese de que la lámpara esté apagada antes de abrir la cubierta protectora.


 **PRECAUCIÓN: Riesgo de lesiones personales.** Solamente personal capacitado de servicio debe cambiar la lámpara de luz UV. Esta cubierta de lámpara UV tiene un seguro de bloqueo para reducir el riesgo de recibir radiación ultravioleta excesiva. No evite el seguro de bloqueo. Vuelva a instalar el seguro de bloqueo después de dar servicio.

 **PRECAUCIÓN: Riesgo de daños al producto.** No instale este producto en un lugar donde quede expuesto a humedad excesiva, donde pudiera formarse condensación en la superficie del producto. Al tomar un baño, asegúrese de que haya ventilación adecuada para evitar daños a los componentes electrónicos debidos a altos niveles de humedad.


 **PRECAUCIÓN: Riesgo de daños al producto.** No suministre corriente eléctrica a la unidad mientras no se haya completado la instalación de la plomería, ya que esto podría causar que el producto no funcionara bien.

 **PRECAUCIÓN: Riesgo de daños al producto.** No aplique fuerza excesiva a la varilla de rociado.

 **PRECAUCIÓN: Riesgo de daños al producto o a la propiedad.** Si se empuja la conexión de agua, o si se tira de ella, podrían ocasionarse fugas de agua.

 **PRECAUCIÓN: Riesgo de daños al producto.** En áreas donde el agua pudiera congelarse en las tuberías, haga lo necesario para mantenerlas a una temperatura adecuada. El agua que quede en el asiento durante el almacenamiento podría congelarse en invierno. Antes de volver a instalar o a usar la unidad, permita que esta unidad llegue a la temperatura ambiente.


NOTA: Este producto contiene protectores térmicos que podrían activarse durante el almacenamiento o el transporte, y causar que la unidad no funcione. Antes de instalar la unidad o ponerla en funcionamiento, deje que se enfríe hasta la temperatura ambiente.

 **PELIGRO: Para reducir el riesgo de electrocución:**

No coloque ni almacene este producto donde pudiera caer o ser jalado hacia dentro de una bañera o de un lavabo.

No lo coloque ni lo deje caer en agua ni en ningún otro líquido.

No trate de sacar del agua algún aparato que haya caído en ella. Desconéctelo de inmediato.

 **AVISO: Para reducir el riesgo de quemaduras, electrocución, incendio o lesiones personales:**

Es necesario que haya supervisión cuando este producto esté siendo usado cerca de niños, ancianos o inválidos, o por ellos mismos. No permita que sea usado como juguete. Ajuste la temperatura del asiento para los ancianos, los discapacitados o las personas con piel sensible.

Use este producto únicamente con el fin para el que ha sido fabricado, tal como se describe en este manual. Solo use aditamentos que recomiende Kohler Co.

No use este producto si el enchufe o el cable están dañados, si el equipo no funciona adecuadamente, si se ha dejado caer, si ha sufrido daños, o si ha caído en agua. Devuelva el producto para que sea examinado y reparado.

Mantenga el cable alejado de superficies calientes.

Nunca bloquee las aberturas para aire del producto. Evite pelusa, cabello y similares en las aberturas para aire.

Nunca utilice el producto mientras duerma o esté adormilado.

No deje caer ni introduzca objetos en ninguna abertura o manguera.

No lo utilice a la intemperie ni en lugares en los que se empleen aerosoles o en los que se administre oxígeno.

Conecte este producto solamente a un tomacorriente con conexión adecuada a tierra. Consulte la sección "Instrucciones de conexión a tierra".

El uso de este producto es un suplemento, y no un sustituto, para las prácticas de control de infecciones; los usuarios deben continuar todas las prácticas de control de infecciones, entre ellas las relacionadas con la limpieza y desinfección de las superficies en contacto con el medio ambiente.

Este producto cumple las estipulaciones de US 21 CFR, Capítulo 1, Subcapítulo J, Salud Radiológica.

GUARDE ESTAS INSTRUCCIONES

Instrucciones de conexión a tierra


Este producto se debe conectar a tierra. En caso de que haya un corto en el circuito eléctrico, la conexión a tierra reduce el riesgo de sufrir una sacudida eléctrica ya que proporciona un alambre de escape para la corriente eléctrica. Este producto está equipado con un cable que tiene un alambre de conexión a tierra y un enchufe con conexión a tierra. El enchufe debe estar conectado en un tomacorriente bien instalado y conectado a tierra.

 **PELIGRO: Riesgo de sacudidas eléctricas.** El uso incorrecto del enchufe con conexión a tierra puede ocasionar un riesgo de sufrir una sacudida eléctrica.

Si es necesario reparar o cambiar el cable o el enchufe, no conecte el alambre de conexión a tierra a ninguno de los terminales de hoja plana. El alambre con aislamiento con superficie exterior verde, con o sin rayas amarillas, es el alambre de conexión a tierra.

Si tiene alguna duda de si el producto está bien conectado a tierra o si las instrucciones de conexión a tierra no están completamente claras, solicite la verificación de un electricista calificado o de personal de servicio.

Este producto viene equipado de fábrica con un cable y un enchufe eléctrico que permiten conectarlo a un circuito eléctrico adecuado. Asegúrese de que el producto se conecte a un tomacorriente que tenga la misma configuración que el enchufe. No utilice ningún tipo de adaptador con este producto. No modifique el enchufe provisto; si el enchufe no entra en el tomacorriente, pida a un electricista calificado que instale el tomacorriente adecuado. Si el producto se debe conectar en un tipo diferente de circuito eléctrico, la conexión debe realizarla personal de servicio calificado.

 **PRECAUCIÓN: Riesgo de daños a la propiedad.** Si es necesario usar un cable de extensión, se puede usar un cable sencillo siempre que su tipo comience con las letras "SJ", que sea de calibre 12, que tenga conexión a tierra (calibre 12/3 alambres), que no sea más largo de 25 pies (7,6 m), y que quede conectado a un tomacorriente con protección GFCI. Reemplace con urgencia cualquier cable de extensión que parezca estar dañado.

*Fuera de Estados Unidos es posible que este se conozca como dispositivo de corriente residual (RCD).

Configuración del control remoto

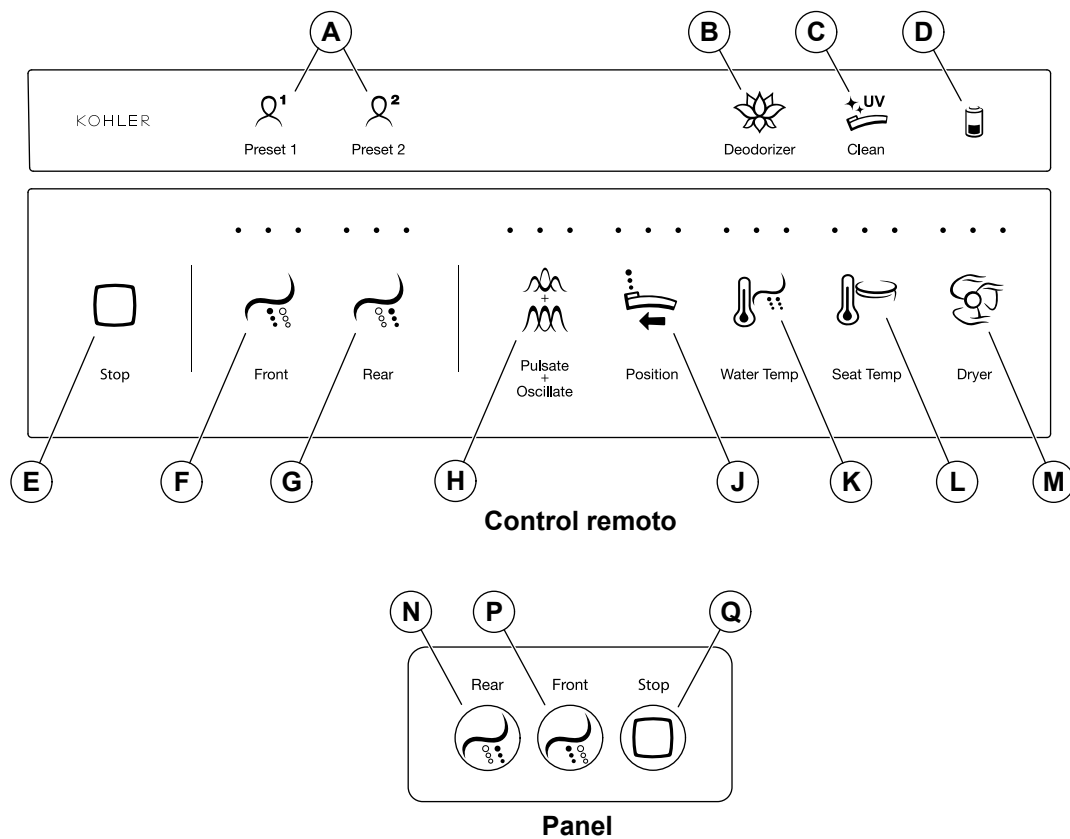
NOTA: Antes de usar un control remoto es necesario vincularlo al asiento del inodoro. El control remoto que se incluye ya debe estar vinculado a su asiento. Si se requiere un control remoto de repuesto, siga las siguientes instrucciones para vincularlo a su asiento.

NOTA: Se puede vincular un solo control remoto al asiento del inodoro a la vez.

NOTA: No es posible vincular el control remoto mientras el asiento del inodoro está ocupado.

- Asegúrese de instalar correctamente 4 pilas AA en el control remoto. Consulte la sección “Cambio de pilas”.
- Acerque el nuevo control remoto al asiento.
- Verifique que los demás controles remotos hayan sido retirados del área cercana al asiento.
- Oprima y sostenga oprimido el icono del secador “**Dryer**” hasta que el icono comience a parpadear.
- Simultáneamente oprima y sostenga oprimidos los iconos de lavado frontal “**Front**” y de lavado posterior “**Rear**” en el asiento hasta que escuche un sonido de bip.
- Cuando el icono del secador “**Dryer**” en el control remoto deja de parpadear, el control remoto ha quedado vinculado.

Instrucciones de uso



NOTA: En el caso de funciones con configuraciones múltiples, oprima el icono para cambiar la configuración a un nivel más alto. Si la función se establece a su nivel más alto, al oprimir el icono la función se desactiva o se ajusta a un nivel más bajo. La última selección que se haya usado se guarda para el siguiente uso.

NOTA: Asegúrese de instalar correctamente 4 pilas AA en el control remoto.

(A) - Preselección 1 (Preset 1) y preselección 2 (Preset 2): Las preselecciones permiten que 2 usuarios guarden sus configuraciones de las funciones. Cuando se selecciona alguno de los iconos de preselección “Preset 1” o “Preset 2”, se activan las preferencias guardadas. Consulte la sección “Preselecciones del usuario”.

(B) - Desodorizar (Deodorize): Oprima para activar el desodorizante. Oprima el icono de paro “Stop” para desactivar.

(C) - Limpieza (Clean): Oprima para iniciar el ciclo de limpieza UV. Levante la tapa del asiento para finalizar el ciclo de limpieza UV.

(D) - Indicador de carga (Battery Indicator): Muestra el estado de carga de las pilas. Cuando el icono comienza a parpadear, es necesario cambiar las pilas. Consulte la sección “Cambio de pilas”.

(E y Q) - Paro (Stop): Oprima para detener las funciones de lavado activadas o el secador.

(F y P) - Lavado frontal (Front): Oprima para activar la función de lavado frontal y ajustar la presión del agua de lavado frontal. Hay 3 selecciones.

(G y N) - Lavado posterior (Rear): Oprima para activar la función de lavado posterior y ajustar la presión del agua de lavado posterior. Hay 3 selecciones.

(H) - Pulsar + oscilar (Pulsate + Oscillate): Cuando el lavado frontal o posterior está activo, oprima una vez el icono de pulsar y oscilar **"Pulsate + Oscillate"** Cuando haya una función de lavado activada, oprima el icono una vez para que la varilla de rociado oscile hacia adelante o hacia atrás. Oprima de nuevo para pulsar el flujo de agua. Oprima por tercera vez para que oscile y pulse simultáneamente. Oprima de nuevo para detener la función.

(J) - Posición (Position): Cuando haya una función de lavado activada, oprima para ajustar la posición de la varilla de rociado. Hay 5 selecciones.

(K) - Temperatura del agua (Water Temp): Oprima para ajustar la temperatura del agua de rociado. Hay 5 selecciones.

(L) - Temperatura del asiento (Seat Temp): Oprima para ajustar la temperatura del asiento con calefacción. Hay 5 selecciones.

(M) - Secador (Dryer): Oprima para activar el secador. Oprima de nuevo para aumentar la temperatura del aire. Hay 6 selecciones.

Preselecciones del usuario

NOTA: Las preselecciones permiten a 2 usuarios guardar sus selecciones de las funciones. Cuando se selecciona alguno de los iconos de preselección **"Preset 1"** o **"Preset 2"**, se activan las preferencias guardadas.

NOTA: Las preselecciones de usuario se restablecen al cambiar las pilas del control remoto.

Cómo configurar las preselecciones del usuario

- Al estar sentado, ajuste las funciones del asiento a sus preferencias.
- Oprima y sostenga oprimido el icono de preselección 1 **"Preset 1"** o de preselección 2 **"Preset 2"** durante 3 segundos para guardar las funciones activadas en las selecciones actuales.
- Para cambiar una preselección de usuario, ajuste las funciones del asiento lo que desee mientras la preselección esté en uso. Oprima y sostenga oprimido el icono de preselección 1 **"Preset 1"** o de preselección 2 **"Preset 2"** durante 3 segundos para guardar la preselección con las nuevas preferencias.

Uso de preselecciones del usuario

- Al estar sentado, oprima el icono de preselección 1 **"Preset 1"** o de preselección 2 **"Preset 2"** para activar las funciones y las selecciones guardadas.
- Si se oprime el icono de preselección 1 **"Preset 1"** o de preselección 2 **"Preset 2"** cuando el asiento no está ocupado, el asiento cambia gradualmente (aproximadamente en 2 minutos) a la temperatura preseleccionada.
- Para restablecer o borrar una preselección, oprima y sostenga oprimidos los iconos de preselección 1 **"Preset 1"** o de preselección 2 **"Preset 2"** y el de paro **"Stop"** al mismo tiempo durante 3 segundos.

Habilitar e inhabilitar funciones automáticas

Desodorizante

- Oprima y sostenga oprimido el icono del desodorizante **“Deodorizer”** en el control remoto hasta que el icono comience a centellear. Suelte y oprima el icono de nuevo.
- Un sonido corto indica que la función ha sido habilitada. Un sonido largo indica que la función ha sido inhabilitada.

Limpieza UV automática

- Oprima y sostenga oprimido el icono de limpieza **“Clean”** en el control remoto hasta que el icono comience a centellear. Suelte y oprima el icono de nuevo.
- Un sonido corto indica que la función ha sido habilitada. Un sonido largo indica que la función ha sido inhabilitada.

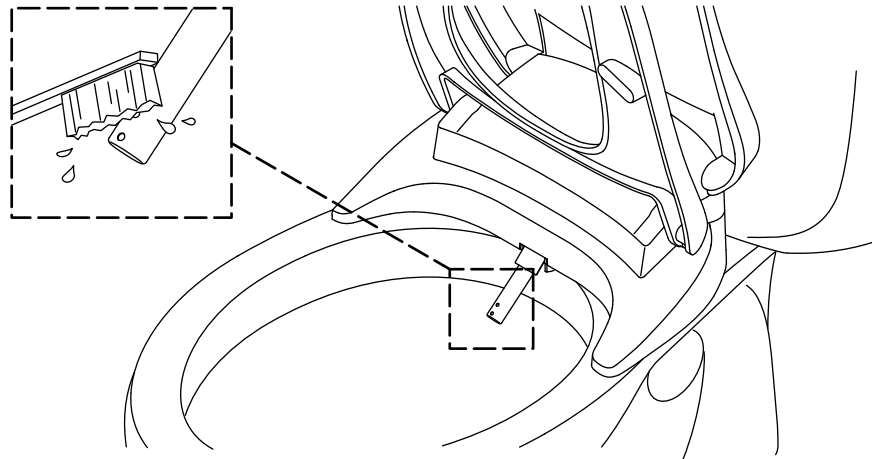
Luz nocturna

- Para permitir el funcionamiento de la luz nocturna sin estar sentado en el inodoro, oprima el icono de paro **“Stop”** en el panel.
- Para inhabilitar la luz nocturna sin estar sentado en el inodoro, oprima y sostenga oprimido el icono de paro **“Stop”** en el panel durante 3 segundos.

Modo de ahorro de energía

- Para activar la función de ahorro de energía, oprima y sostenga oprimido el icono de temperatura del asiento **“Seat Temp”** en el control remoto.
- Para el modo de ahorro de energía general:** Oprima y sostenga oprimido el icono de temperatura del asiento **“Seat Temp”** durante 3 segundos en el control remoto. Un sonido corto y un parpadeo de la luz nocturna indican el modo de ahorro de energía general. Este modo establece la temperatura del asiento en 77°F (25°C) cuando el asiento no está en uso.
- Para el modo de ahorro de energía avanzado:** Oprima y sostenga oprimido el icono de temperatura del asiento **“Seat Temp”** durante 3 segundos en el control remoto. Un sonido corto y dos parpadeos de la luz nocturna indican el modo de ahorro de energía avanzado. Esto apaga el calentador del asiento cuando el asiento no está en uso. El asiento se calentará a su nivel establecido cuando el asiento esté en uso.
- Para inhabilitar la función de ahorro de energía, oprima y sostenga oprimido el icono de temperatura del asiento **“Seat Temp”** durante 3 segundos en el control remoto. Un sonido largo y un parpadeo de la luz nocturna indican que la función de ahorro de energía está inhabilitada, y el asiento permanecerá al nivel establecido incluso cuando no esté en uso.

Limpieza de la varilla de rociado



NOTA: La punta de rociado de la varilla puede llegar a taparse al paso del tiempo con depósitos minerales provenientes del agua. La varilla de rociado debe limpiarse cuando se note una disminución en su capacidad de rocío.

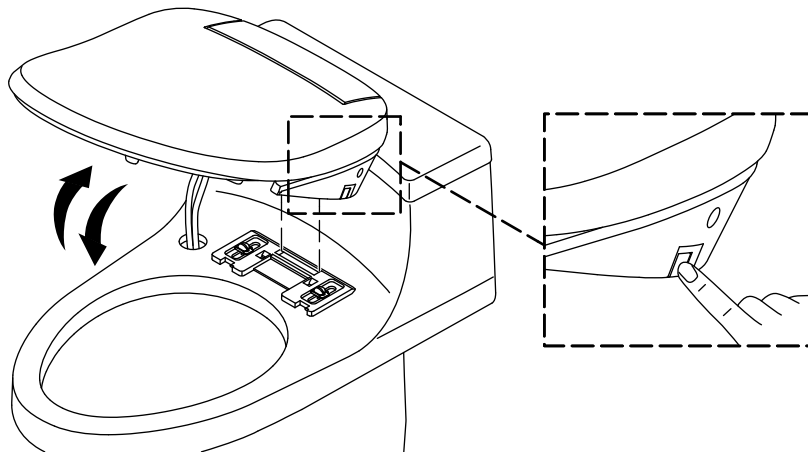
NOTA: La varilla de rociado solo se puede extender para limpiarla cuando el asiento no está activado u ocupado.

- Levante la tapa y el asiento.
- Oprima y sostenga oprimido el icono de posición **“Position”** en el panel para extender la varilla hacia adelante para limpiarla.
- Limpie la varilla de rociado con un cepillo de cerdas suaves y agua caliente.
- Oprima de nuevo el icono de posición **“Position”** para retraer la varilla.

Limpieza UV automática

- El ciclo de limpieza UV automática se activa cada 24 horas.
- Si se levanta la tapa del asiento, se cancela el ciclo de desinfección UV que está en proceso.

Desmontaje del asiento



¡IMPORTANTE! Al desmontar el asiento para limpiarlo, tenga cuidado para evitar ejercer tensión en las conexiones de la manguera.

Para limpiar

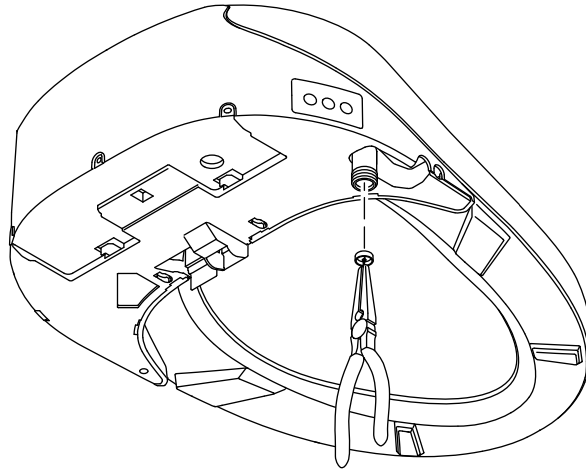
- Oprima y sostenga oprimido el botón de desenganche.
- Incline el asiento hacia arriba y levántelo para retirarlo. Evite ejercer tensión en las conexiones de mangueras.
- Limpie el área lo que sea necesario.
- Para volver a instalarlo, enganche el borde posterior del asiento con el labio en el soporte de montaje. Luego incline el asiento hacia abajo para bloquearlo en su lugar.

Para dar servicio

- Cierre el agua en la llave de paso de suministro.
- Accione la descarga del inodoro para reducir la presión del agua.
- Desconecte el cable de suministro eléctrico del tomacorriente.
- Desconecte la manguera de suministro de agua de la válvula en T.
- Oprima y sostenga oprimido el botón de desenganche.
- Incline el asiento hacia arriba y levántelo para retirarlo.
- Cuando termine de darle servicio, vuelva a instalarlo y a conectar todos los componentes.

Lavado del tamiz de filtro

ES

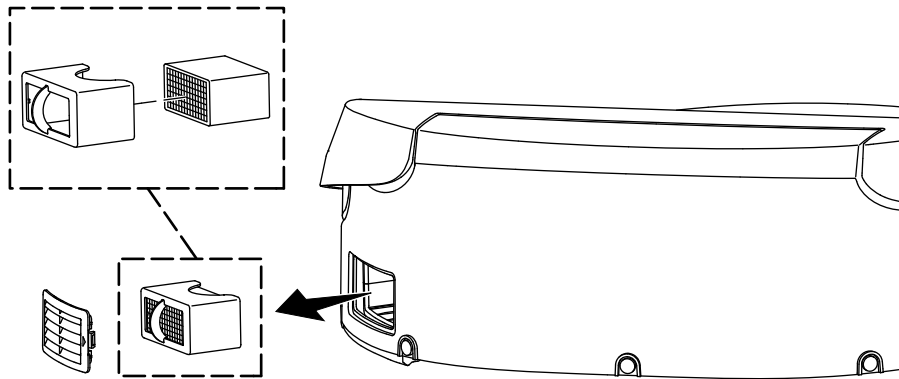


⚠ PRECAUCIÓN: Riesgo de daños al producto. No trasrose la conexión de la manguera a la línea de entrada.

NOTA: Limpie el tamiz de filtro cada 6 meses, o en cualquier momento en que baje el flujo de agua máximo de la varilla de rociado.

- Cierre el agua en la llave de paso de suministro.
- Accione la descarga del inodoro para reducir la presión del agua.
- Desconecte el cable de suministro eléctrico del tomacorriente.
- Desenganche el asiento del soporte de montaje. Consulte la sección "Desmontaje del asiento".
- Incline el asiento hacia arriba y levántelo para permitir acceso al puerto de entrada.
- Desconecte la línea de suministro de agua del puerto de entrada blanco en el asiento.
- Con pinzas de punta larga retire con cuidado el tamiz de filtro de la entrada.
- Limpie el tamiz de filtro con un cepillo de cerdas suaves.
- Vuelva a instalar el tamiz de filtro.
- Vuelva a conectar la línea de suministro de agua a la entrada, y gire 1/4 de vuelta adicional después de apretar a mano.
- Vuelva a instalar el asiento.
- Enchufe el cable eléctrico al tomacorriente.
- Abra el suministro de agua.
- Revise todas las conexiones para asegurarse de que no haya fugas, y haga los ajustes necesarios.

Cambio del desodorizante

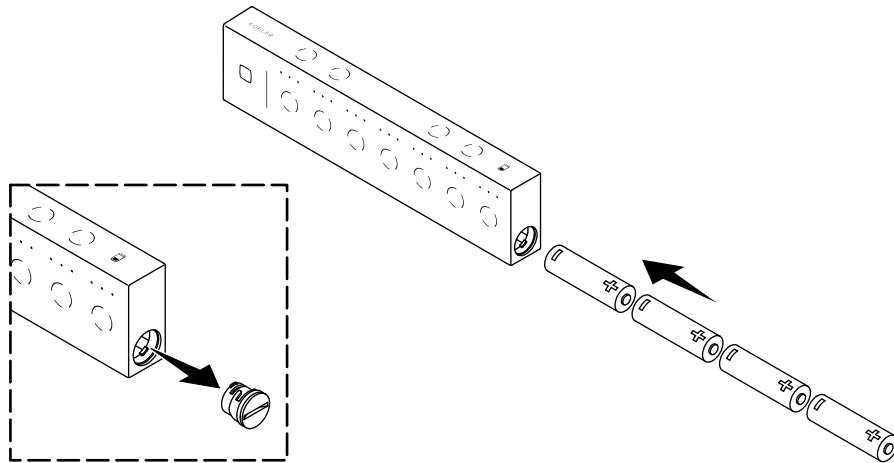


NOTA: El desodorizante debe ser reemplazado cada 2 años o cuando disminuye el efecto del desodorizante.

- Retire la tapa del asiento.
- Con cuidado retire el alojamiento del desodorizante del asiento.
- Retire el bloque desodorizante de su alojamiento.
- Introduzca el nuevo bloque desodorizante en el alojamiento.
- Vuelva a instalar el alojamiento en el asiento.
- Vuelva a instalar la tapa del asiento.

Cambio de pilas

ES



- Retire el control remoto de la estación de conexión.
- Retire y retenga la tapa del compartimiento de pilas.
- Saque las pilas.
- Instale las pilas de repuesto, orientadas como se indica.
- Vuelva a instalar la tapa en el compartimiento de pilas.
- Coloque el control remoto en la estación de conexión.

Resolución de problemas

Esta guía de resolución de problemas está diseñada únicamente como ayuda general. Todos los problemas eléctricos deben ser resueltos por un representante de servicio autorizado (ASR) de Kohler Co., o por un electricista capacitado. Para obtener servicio bajo garantía, comuníquese con su consecionario o distribuidor, o llame al Centro de Atención al Cliente mediante la información que aparece al frente de este manual.

Encendido inicial

Al conectar el suministro eléctrico al asiento del inodoro, este hará automáticamente una secuencia de encendido. Esta secuencia incluye movimiento de la varilla, purga de la línea de agua y centelleo de la luz nocturna (si está equipado). El asiento del inodoro queda sin actividad al completarse la secuencia de encendido.

Si el asiento no funciona correctamente al completar la secuencia de encendido inicial, o si no puede realizar esta secuencia, comuníquese con el Centro de Atención al Cliente con la información que aparece al inicio de este manual.

Resolución de problemas de las funciones de lavado

Síntomas	Causa probable	Acción recomendada
1. Poco o nada de flujo de agua.	<p>A. El suministro de agua al asiento no está abierto.</p> <p>B. El tamiz de filtro está tapado.</p>	<p>A. Abra el suministro de agua al asiento.</p> <p>B. Limpie o cambie el tamiz de filtro. Consulte la sección "Limpieza del tamiz de filtro".</p>
2. Las funciones del asiento no funcionan.	<p>A. Se ha perdido el suministro eléctrico.</p> <p>B. El cable de suministro eléctrico está desconectado del tomacorriente.</p> <p>C. El interruptor de circuito con pérdida a tierra (GFCI) o el dispositivo de corriente residual (RCD) se ha disparado.</p> <p>D. El sensor del asiento no detecta al usuario.</p>	<p>A. Espere hasta que se restaure el suministro eléctrico.</p> <p>B. Enchufe el cable de suministro eléctrico al tomacorriente protegido con un GFCI o un RCD.</p> <p>C. Restablezca el GFCI o el RCD.</p> <p>D1. Cambie su posición en el asiento. El sensor está ubicado cerca de la parte delantera del asiento.</p> <p>D2. Es posible que los niños no pesen lo suficiente para ser detectados por el sensor.</p>
3. El agua deja de fluir de la varilla de rociado antes de que termine el proceso de lavado.	<p>A. El lavado se detiene automáticamente varios minutos después de oprimir un icono de rocío.</p> <p>B. El usuario cambió de posición, y ya no lo detecta el sensor del asiento.</p>	<p>A. Oprima el icono de lavado frontal "Front" o de lavado posterior "Rear" para reiniciar la limpieza.</p> <p>B. Cambie su posición en el asiento. El sensor está ubicado cerca de la parte delantera del asiento.</p>
4. El asiento está suelto.	<p>A. Los sujetadores de la placa de montaje están sueltos.</p>	<p>A. Apriete los sujetadores. Consulte las instrucciones de instalación.</p>

Resolución de problemas del control remoto

Síntomas	Causa probable	Acción recomendada
1. El control remoto no enciende.	A. Las pilas no están bien instaladas. B. Es necesario cambiar las pilas.	A. Vuelva a instalar las pilas. Consulte la sección "Cambio de pilas". B. Cambie las pilas. Consulte la sección "Cambio de pilas".
2. El control remoto no se conecta al asiento.	A. El control remoto está demasiado lejos del asiento para poder recibir una señal. B. El control remoto no está vinculado al asiento.	A. Acerque el control remoto al asiento para recobrar la conexión. B. Vincule el control remoto al asiento. Consulte la sección "Configuración del control remoto".

Conformidad

FCC ID: N82-KOHLER024, N82-KOHLER025

Este dispositivo cumple lo establecido en la sección 15 de las normas de la FCC. Su funcionamiento está sujeto a las siguientes 2 condiciones: (1) que este dispositivo no cause interferencia perjudicial y (2) que acepte cualquier interferencia, incluida la que pueda causar funcionamiento no deseado.

Cualquier modificación o cambio sin aprobación expresa de la parte responsable del cumplimiento podría invalidar el derecho del usuario a utilizar el equipo.

Este equipo ha sido probado, y se ha encontrado que satisface los límites de un aparato digital Clase B, de acuerdo a la sección 15 de las normas de la FCC. Estos límites están diseñados para ofrecer protección razonable contra interferencia perjudicial en una instalación residencial. Este equipo genera, usa y puede radiar energía de radiofrecuencia y, si no se instala y utiliza en cumplimiento de las instrucciones, puede causar interferencia perjudicial a las comunicaciones de radio. Sin embargo, no se garantiza que la interferencia no pudiera ocurrir en una instalación en particular. Si este equipo causa interferencia perjudicial a la recepción de radio o televisión, lo que se puede determinar al encender y apagar el equipo, se le recomienda al usuario que trate de corregir la interferencia mediante una de las siguientes medidas:

- Cambiar la orientación o el lugar de la antena receptora.
- Aumentar la separación entre el equipo y el receptor.
- Conectar el equipo a un tomacorriente en un circuito diferente al que utiliza el receptor.
- Consultar al distribuidor o a un técnico con experiencia en radio y televisión, para obtener ayuda.

Advertencia sobre exposición a radiofrecuencias

Este transmisor con su antena cumple los límites de exposición de radiofrecuencia (RF) de la FCC para la exposición no controlada/población general. Este dispositivo no debe ubicarse ni hacerse funcionar con ninguna otra antena o transmisor. Este dispositivo se debe usar a una distancia mínima de 7-7/8" (200 mm) entre el radiador y un cuerpo humano.

IC: 4554A-KOHLER024, 4554A-KOHLER025

Este dispositivo cumple con los estándares RSS de exención de licencia de Industry Canada. El funcionamiento está sujeto a las siguientes 2 condiciones: (1) que este dispositivo no cause interferencia y (2) que acepte cualquier interferencia, incluida la que pueda causar funcionamiento no deseado del dispositivo.

De acuerdo a los reglamentos canadienses Industry Canada, este transmisor de radio solo puede funcionar con una antena de un tipo y ganancia máxima (o menos) aprobados para el transmisor por Industry Canada. Para reducir la interferencia de radio potencial a otros usuarios, el tipo de antena y su ganancia deben elegirse de tal forma que la potencia isotrópica radiada equivalente (EIRP por sus siglas en inglés) no sea mayor que la necesaria para obtener una buena comunicación.

USA/Canada: 1-800-4KOHLER (1-800-456-4537)
Mexico: 001-800-456-4537
kohler.com

THE BOLD LOOK
OF **KOHLER**®

©2022 Kohler Co.



1381632-5

1381632-5-D