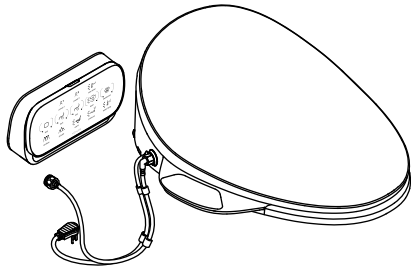


Homeowners Guide

Cleansing Seat with Remote Control

K-4108



Français, page "Français-1"
Español, página "Español-1"

THE BOLD LOOK
OF **KOHLER**®

1194356-5-E

IMPORTANT SAFEGUARDS

READ ALL INSTRUCTIONS BEFORE USING

When using electrical products, especially when children are present, basic safety precautions should always be followed, including the following:



WARNING: Risk of personal injury. Do not remove the UV lamp protective cover. Eye damage may result from viewing the UV light directly. Always be certain the lamp is off before opening the protective cover. When the night light flashes, the UV lamp is in operation.



CAUTION: Risk of personal injury. Replacement of the UV lamp must only be performed by qualified service personnel.

IMPORTANT! Risk of product damage. Do not install this product in a location exposed to excessive moisture where condensation might form on the product surface. Provide adequate ventilation when bathing to avoid damage to the electronic components due to high humidity levels.

IMPORTANT! Risk of product or property damage. Pushing or pulling on the water connection may cause water leakage.

IMPORTANT! Risk of product damage. Do not apply excessive force to the spray wands.

IMPORTANT! Risk of product damage. In areas where water may freeze in the pipes, make arrangements to keep the pipes warm. Any water remaining in the seat may freeze during winter storage. Allow the unit to warm to room temperature before reinstalling or using.

IMPORTANT! Risk of product damage. Do not supply electrical power to the unit until the plumbing installation work has been completed; it could cause the product to malfunction.

NOTE: The thermal protectors may trip during storage or transportation in warm weather causing the unit to not operate. Allow the unit to cool to room temperature before installation or operation.

IMPORTANT SAFEGUARDS (cont.)



DANGER: To reduce the risk of electrocution:

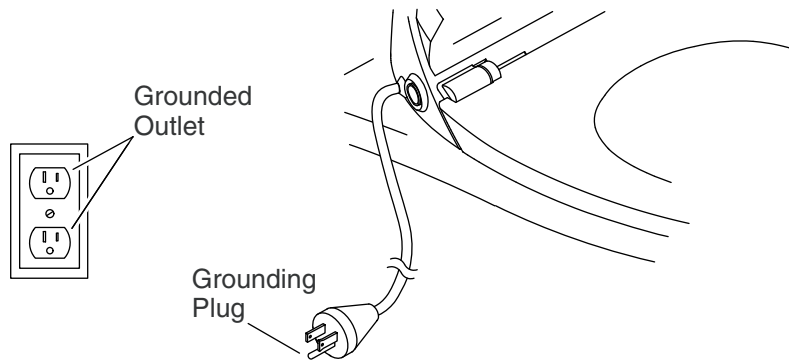
- Do not place or store this product where it can fall or be pulled into a bath or sink.
- Do not place in or drop into water or other liquid.
- Do not reach for a product that has fallen into water. Unplug immediately.



WARNING: To reduce the risk of burns, electrocution, fire, or injury to persons:

- Close supervision is necessary when this product is used by or near children, the elderly, or invalids. Adjust the temperature of the seat for the elderly, those who are incapacitated, or persons with sensitive skin.
- Use this product only for its intended use as described in this manual. Do not use attachments not recommended by Kohler Co.
- Never operate this product if it has a damaged cord or plug, if it is not working properly, if it has been dropped, damaged, or dropped into water. Return the product for examination and repair.
- Keep the cord away from heated surfaces.
- Never block the air openings of the product or place it on a soft surface, such as a bed or couch, where the air openings may be blocked. Keep the air openings free of lint, hair, and the like.
- Never use while sleeping or drowsy.
- Never drop or insert any object into any opening or hose.
- Do not use outdoors or where aerosol spray products are being used or where oxygen is administered.
- Connect this product to a properly grounded outlet only. See the "Grounding Instructions" section.
- This product conforms to applicable provisions of US 21 CFR, Chapter 1, Subchapter J, Radiological Health.

SAVE THESE INSTRUCTIONS



Grounding Instructions



WARNING: Risk of electric shock, fire, or personal injury.

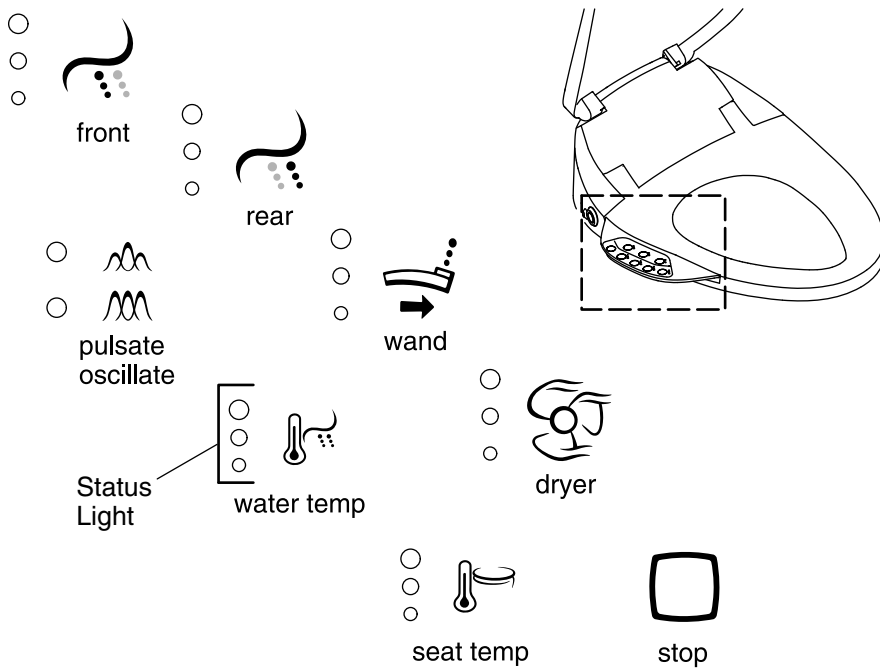
This product must be grounded and connected only to a dedicated, nominal 120 VAC, 60 Hz circuit protected by a minimum 15 A Ground-Fault Circuit-Interrupter (GFCI) or Residual Current Device (RCD).

- This product should be grounded. In the event of an electrical short circuit, grounding reduces the risk of electric shock by providing an escape wire for the electric current. This product is equipped with a cord having a grounding wire with a grounding plug. The plug must be plugged into an outlet that is properly installed and grounded.



DANGER: Risk of electric shock. Improper use of the grounding plug can result in a risk of electric shock.

- If repair or replacement of the cord or plug is necessary, do not connect the grounding wire to either flat blade terminal. The wire with insulation having an outer surface that is green with or without yellow stripes is the grounding wire.
- Check with a qualified electrician or service personnel if the grounding instructions are not completely understood, or if in doubt as to whether the product is properly grounded.
- Do not use an extension cord with this product.



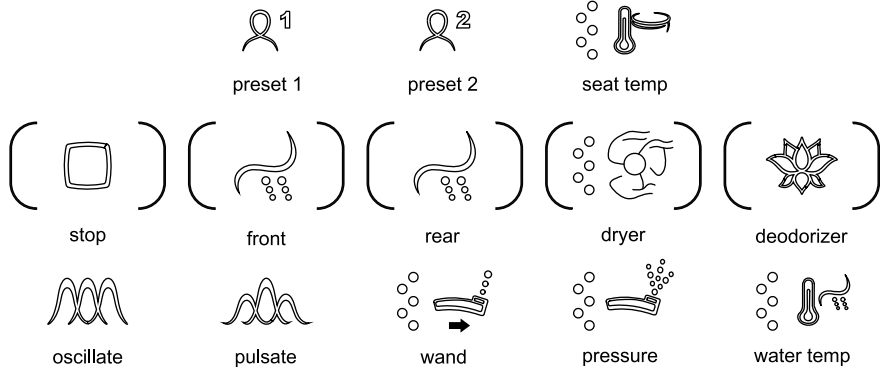
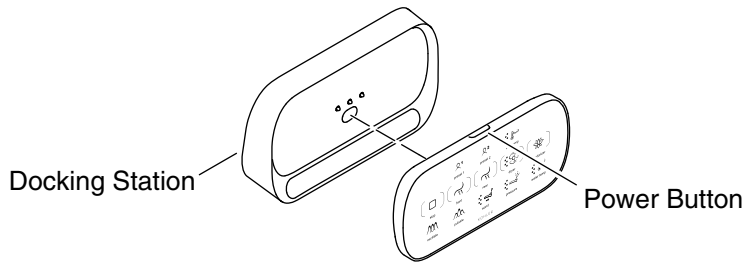
Manual Operation

NOTE: For features with multiple settings, press the icon to move the setting one level higher. If the feature is set at the highest level, pressing the icon will deactivate it or adjust it to a lower setting.

- **"stop"** - Stops the front wash, rear wash, dryer, or deodorizer features. The deodorizer automatically reactivates when the seat sensor detects the next user.
- **"front"** - Activates the front wash feature and adjusts the front wash water pressure.
- **"rear"** - Activates the rear wash feature and adjusts the rear wash water pressure.
- **"wand"** - Extends the wand position. There are five settings.
- **"dryer"** - Activates the dryer and adjusts the air temperature. Press once to activate the dryer. While activated, press again to increase the air temperature. Each press will adjust the temperature through six settings. The dryer stops automatically after 4 minutes.

Manual Operation (cont.)

- **"pulsate oscillate"** - Press once to pulsate the water flow from the spray wand. Press again to oscillate the wand back and forth. Press a third time to oscillate and pulsate simultaneously. Press again to turn the feature off.
- **"water temp"** - Changes the water spray temperature. There are six settings.
- **"seat temp"** - Changes the heated seat temperature. There are six settings.
- **Status light** - Shows the status of an enabled feature. When the feature is set to the lowest level, the bottom indicator is lit. At the second level, the bottom indicator is lit while the middle indicator blinks. At the third level, the bottom and middle indicators are lit. At the fourth level, the bottom and middle indicators are lit while the top indicator blinks. At the fifth level, all three indicators are lit.
- **Deodorizer** - To enable or disable the automatic deodorizer, press and hold the "stop" and "dryer" icons simultaneously for 2 seconds.
- **UV disinfection** - To enable or disable automatic daily UV wand disinfection, press and hold the "stop" and "wand" icons simultaneously for 2 seconds.
- **Night light** - To enable or disable the automatic night light, press and hold the "stop" icon for 2 seconds.



Remote Control Operation

NOTE: The remote control must be charged to operate. The remote control charges when attached to the docking station.

- Press the power button to turn the remote control ON or OFF.

Synchronizing the Remote Control

NOTE: Synchronize the remote control to establish a connection. When there is no connection, the icons on the bottom row will flash steadily.

- When the bottom row of icons flash steadily, press and hold the "dryer" icon until the icons flash rapidly.
- Release the "dryer" icon. The icons should continue flashing.
- On the manual controls, press and hold the "rear" and "front" icons simultaneously until the icons on the remote control stop flashing.
- The remote control is now synchronized.

Using the Remote Control

Remote Control Operation (cont.)

NOTE: For features with multiple settings, press the icon to move the setting one level higher. If the feature is set at the highest level, pressing the icon will deactivate it or adjust it to a lower setting.

- For **"seat temp," "front," "rear," "dryer," "wand,"** and **"water temp"** features, see the "Manual Operation" section.
- **"preset 1"** and **"preset 2"** - Refer to the "User Presets" sections below.
- **"stop"** - Stops the front wash, rear wash, or deodorizer features. Press and hold for 3 seconds to turn the remote control off.
- **"deodorizer"** - Activates the deodorizer. To deactivate, press **"stop"** icon.

NOTE: Pulsate and oscillate can be activated at the same time.

- **"oscillate"** - Moves the wand in and out while washing. Press the icon a second time to deactivate the motion.
- **"pulsate"** - Alternates water flow from the wand. Press the icon a second time to stop the pulsating flow.
- **"pressure"** - Adjusts the force of the water from the wand. There are five settings.

Setting the User Presets

NOTE: The presets allow two users to save their feature settings. When **"preset 1"** or **"preset 2"** are selected, the saved preferences will activate.

- While seated, adjust the seat features to your preferences.
- Press and hold the preset icon for 3 seconds to save activated features at the current settings.
- To change a setting, adjust the front wash, rear wash, or dryer feature while the preset is in use. Press and hold the preset icon for 3 seconds to store the new setting to memory.

Using the User Presets

- When **"preset 1"** or **"preset 2"** is selected when you are seated, front wash, rear wash, or dryer will operate at your stored settings.
- If the preset icon is pressed while the seat is occupied, the seat will gradually (approximately 2 minutes) change to the preset temperature.

Desynchronizing the Remote Control

Remote Control Operation (cont.)

NOTE: The remote must be desynchronized from the seat before a new remote can be synchronized.

- Press the power button to turn on the remote control.
- Move the remote control away from the seat until the icons on the bottom row flash steadily.
- The remote control is now desynchronized.

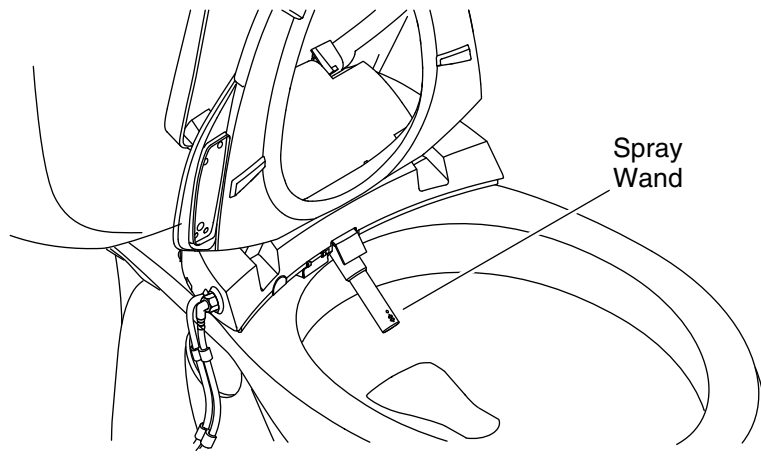
Care and Cleaning

For best results, keep the following in mind when caring for your KOHLER product:

IMPORTANT! Do not immerse product in water.

- Always test your cleaning solution on an inconspicuous area before applying to the entire surface.
- Use a soft, dampened sponge or cloth to wipe surfaces clean. Remove the cleaner quickly after applying. Rinse and dry any overspray that lands on nearby surfaces.
- Do not allow cleaners to soak on surfaces.
- Never use an abrasive material such as a brush or scouring pad to clean surfaces.

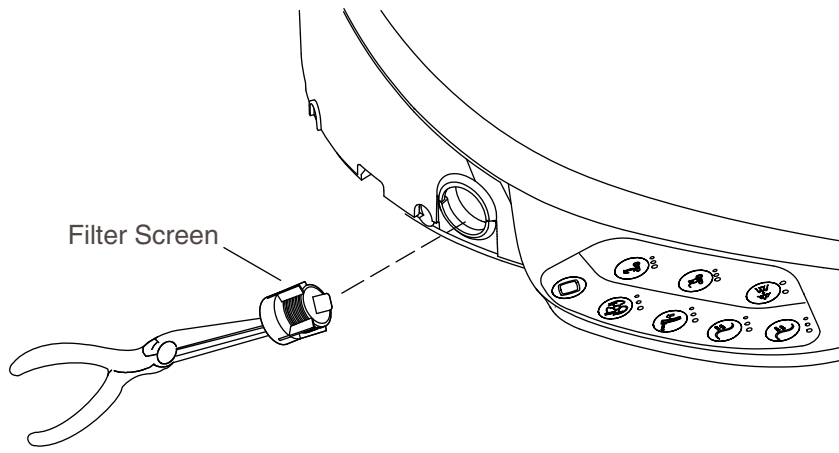
For detailed cleaning information and products to consider, visit www.kohler.com/clean. To order Care & Cleaning information, call 1-800-456-4537.



Cleaning the Spray Wand

NOTE: The spray wand can only be extended for cleaning when the seat is not activated or occupied.

- Raise the lid and seat.
- Press the "**wand**" icon on the panel to extend the wand forward for cleaning.
- Clean the spray wand with a soft-bristled brush and hot water.
- Press the "**wand**" icon again to retract the wand.



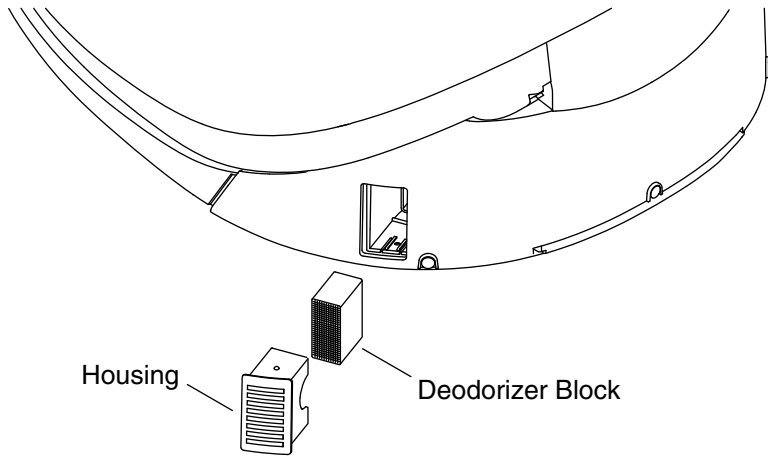
Cleaning the Filter Screen

NOTE: The filter screen should be cleaned every six months or when there is a reduction in the maximum water flow from the spray wand.

- Turn off the water at the supply stop.
- Disconnect the water supply hose from the inlet.
- Using a long-nosed pliers, carefully remove the filter screen from the inlet.
- Clean the filter screen with a soft-bristled brush.
- Reinstall the filter screen.

CAUTION: Risk of product damage. Do not cross-thread the hose connection to the inlet.

- Reconnect the water supply hose to the inlet, 1/4 turn past hand tight.
- Turn on the water supply.
- Check all connections for leaks and make any adjustments as needed.

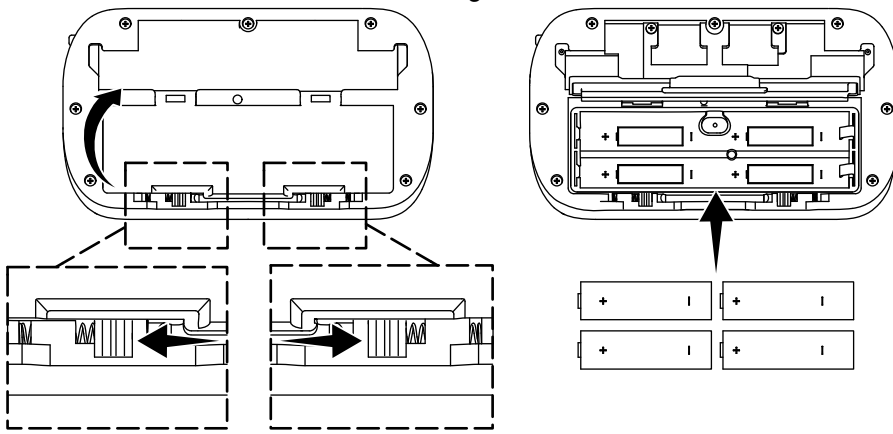


Replacing the Deodorizer

NOTE: The deodorizer should be replaced every two years or when its performance decreases.

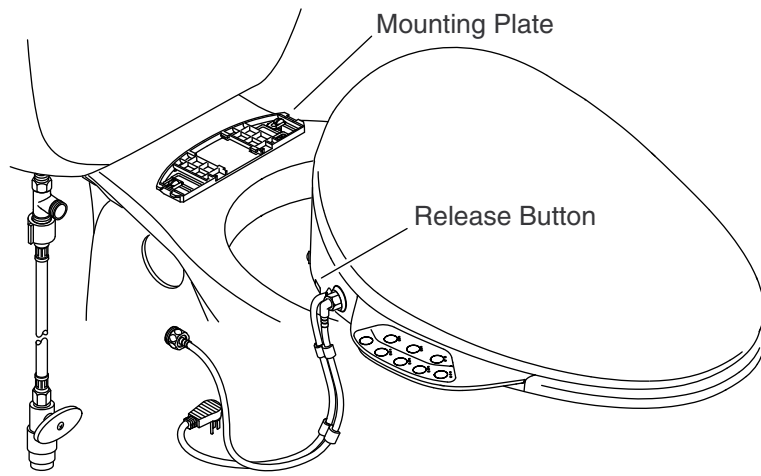
- Carefully remove the deodorizer housing from the seat.
- Remove the deodorizer block from the housing.
- Insert the new deodorizer block in the housing.
- Reinstall the housing into the seat.

Back of Docking Station



Replacing the Batteries

- Remove the remote control from the docking station.
- Remove the docking station from the wall by carefully lifting up and out.
- Push both tabs on the battery compartment outward at the same time.
- Open the door to the battery compartment.
- Remove the batteries.
- Install the replacement batteries, oriented according to the diagram in the battery compartment.
- Close the door to the battery compartment.
- Reinstall the docking station on the wall.



Removing the Seat

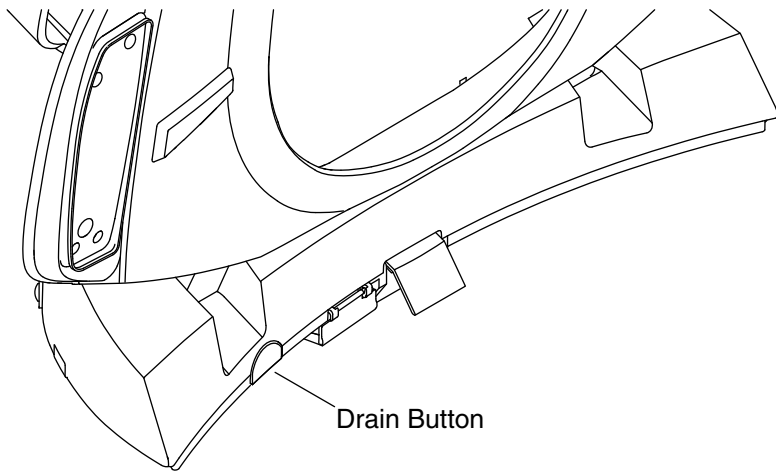
For Cleaning

IMPORTANT! When removing the seat for cleaning, take care to avoid exerting any force on the hose connections.

- Press the release button.
- Slide the seat forward to access the area around the mounting plate. Avoid putting pressure on the hoses.
- Clean the area as needed.
- To reinstall, slide the seat back until it engages the mounting plate.

For Servicing

- Turn off the water at the supply stop.
- Flush the toilet to relieve any pressure from the supply hose.
- Unplug the power cord from the electrical outlet.
- Disconnect the water supply hose from the T-valve.
- Press the release button.
- Slide the seat forward to disengage from the mounting plate.
- When servicing is complete, reinstall the seat and reconnect all components.



Draining the Tank

NOTICE: Drain the water from the internal water line if the seat will not be used for long periods of time, or there is the possibility of freezing temperatures.

- Turn off the water supply and unplug the unit.
- Flush the toilet to relieve any pressure from the water supply hose.
- Press the drain button until all water is drained from the internal water line.

Troubleshooting

This troubleshooting guide is for general aid only. A Kohler Co. Authorized Service Representative or qualified electrician should correct any electrical problems.

For warranty service, contact the Customer Care Center using the numbers located on the back page of this manual.

Cleansing Features

Symptoms	Probable Causes	Recommended Action
1. There is no water flow.	A. The user is not detected by the seat sensor.	A1. Small children may be too light to be detected by the sensor.

Troubleshooting (cont.)		
Cleansing Features		
Symptoms	Probable Causes	Recommended Action
		A2. Shift your position on the seat. The sensor is located on the front of the seat.
	B. The water supply is not turned on.	B. Open the water supply stop all the way.
2. The water pressure is low.	A. The filter screen is clogged.	A. Clean or replace the filter screen. See the "Cleaning the Filter Screen" section.
	B. The water supply stop is partially closed.	B. Open the water supply stop all the way.
3. Water stops flowing from the spray wand before cleansing is complete.	A. Washing automatically stops one minute after pressing a spray icon.	A. Press the "front" or "rear" icon to restart cleansing.
	B. The user shifted position and is no longer detected by the seat sensor.	B. Shift your position on the seat. The sensor is located on the front of the seat.
4. Dripping sounds are heard before and after using the cleansing features.	A. The unit is running through the pre- or post- use cleansing cycle.	A. No action needed.
Deodorizer Feature		
Symptoms	Probable Causes	Recommended Action
1. The deodorizer feature does not work.	A. The deodorizer is not activated.	A. Press the "deodorizer" icon.
	B. The user is not detected by the seat sensor.	B. Shift your position on the seat. The sensor is located on the front of the seat.

Troubleshooting (cont.)		
Deodorizer Feature		
Symptoms	Probable Causes	Recommended Action
2. Odor is not removed.	A. The carbon filter has exceeded the two-year life expectancy.	A. Replace the carbon filter. Visit kohler.com/serviceparts to order a new filter.
	B. The fan is not running when the seat is occupied.	B1. Confirm there is power to the seat.
		B2. Call the Customer Care Center using the information provided on the back page of this manual.
Dryer Feature		
Symptoms	Probable Causes	Recommended Action
1. The dryer stops during use.	A. The dryer automatically stops ten minutes after pressing the "dryer" icon.	A. Press the "dryer" icon to restart.
Seat Sensor		
Symptoms	Probable Causes	Recommended Action
1. The wash, deodorizer, or dryer features run when the icon is pressed while the seat is not occupied.	A. The seat sensor is covered by an object or the seat is wet.	A. Remove any water or object from the seat sensor area.
2. Even though the seat is occupied, the spray feature does not work.	A. The user is not detected by the seat sensor.	A. Shift your position on the seat. The sensor is located on the front of the seat.
3. The seat does not warm up.	A. The seat is in energy save mode.	A1. The seat will warm up within 5 minutes after being activated.

Troubleshooting (cont.)		
Seat Sensor		
Symptoms	Probable Causes	Recommended Action
		A2. Small children may be too light to be detected by the sensor.
Remote Control		
Symptoms	Probable Causes	Recommended Action
1. The remote control does not operate the seat.	A. The batteries are low.	A. Replace the batteries.
	B. The batteries are not installed correctly.	B. Reinstall the batteries according to the "Replacing the Batteries" section.
2. The icons on the bottom row of the remote control are flashing.	A. The remote control is not synchronized with the seat.	A. Synchronize the remote control. Refer to the "Remote Control Operation" section.
Other		
Symptoms	Probable Causes	Recommended Action
1. The seat is loose.	A. The mounting plate fasteners are loose.	A. Tighten the fasteners. Refer to the Installation Guide.
Remote Control Compliance		
<p>This device complies with Part 15 of the FCC Rules. Operation is subject to the following two conditions:</p> <ol style="list-style-type: none"> 1. This device may not cause harmful interference, and 2. This device must accept any interference received, including interference that may cause undesired operation. <p>Changes or modifications not expressly approved by the party responsible for compliance could void the user's authority to operate the equipment.</p>		

Remote Control Compliance (cont.)

This equipment has been tested and found to comply with the limits for a Class B digital device, pursuant to Part 15 of the FCC Rules. These limits are designed to provide reasonable protection against harmful interference in a residential installation. This equipment generates, uses, and can radiate radio frequency energy and, if not installed and used in accordance with the instructions, may cause harmful interference to radio communications. However, there is no guarantee that interference will not occur in a particular installation. If this equipment does cause harmful interference to radio or television reception, which can be determined by turning the equipment off and on, the user is encouraged to try to correct the interference by one of the following measures:

- Reorient or relocate the receiving antenna.
- Increase the separation between the equipment and receiver.
- Connect the equipment into an outlet on a circuit different from that to which the receiver is connected.
- Consult the dealer or an experienced radio/TV technician for help.

RF Exposure Warning

This transmitter with its antenna complies with FCC's RF exposure limits for general population/uncontrolled exposure.

This device must not be co-located or operated in conjunction with any other antenna or transmitter.

This device complies with Industry Canada licence-exempt RSS standard(s).

Operation is subject to the following two conditions:

1. This device may not cause interference, and
2. This device must accept any interference, including interference that may cause undesired operation of the device.

This transmitter with its antenna complies with Industry Canada RF Exposure Limits for General Population/Uncontrolled Exposure.

This Class B digital apparatus complies with Canadian ICES-003.

Warranty

KOHLER Intelligent Toilet and C3 Cleansing Seat Three-Year Limited Warranty

Kohler Co. warrants that its toilets with integrated cleansing functionality ("Intelligent Toilets") and electric cleansing seats will be free of defects in material and workmanship during normal residential use for three years from the date the product is installed. This warranty applies only to intelligent toilets and electric cleansing seats installed in the United States of America, Canada and Mexico ("North America").

If a defect is found in normal residential use, Kohler Co. will, at its election, repair, provide a replacement part or product, or make appropriate adjustment where Kohler Co.'s inspection discloses any such defect. Damage caused by accident, misuse, or abuse is not covered by this warranty. Improper care and cleaning will void the warranty*. Proof of purchase (original sales receipt) must be provided to Kohler Co. with all warranty claims. Kohler Co. is not responsible for labor charges, installation, or other incidental or consequential costs other than those noted above. In no event shall the liability of Kohler Co. exceed the purchase price of the intelligent toilet or electric cleansing seat.

If the intelligent toilets or electric cleansing seats are used commercially or are installed outside of North America, Kohler Co. warrants that the intelligent toilet or electric cleansing seat will be free from defects in material and workmanship for one (1) year from the date the product is installed, with all other terms of this warranty applying except duration.

If you believe that you have a warranty claim, contact your Home Center, Dealer, Plumbing Contractor or E-tailer. Please be sure to provide all pertinent information regarding your claim, including a complete description of the problem, the product, model number, the date the product was purchased, from whom the product was purchased and the installation date. Also include your original invoice. For other information, or to obtain the name and address of the service and repair facility nearest you, write Kohler Co., Attn: Customer Care Center, Kohler, Wisconsin 53044 USA, or by calling 1-800-4-KOHLER (1-800-456-4537) from within the USA and Canada, and 001-800-456-4537 from within Mexico, or visit www.kohler.com within the USA, www.ca.kohler.com from within Canada, or www.mx.kohler.com in Mexico.

THE FOREGOING WARRANTIES ARE IN LIEU OF ALL OTHER WARRANTIES, EXPRESS OR IMPLIED, INCLUDING BUT NOT LIMITED TO THE IMPLIED WARRANTIES OF MERCHANTABILITY AND FITNESS FOR A PARTICULAR

Warranty (cont.)

PURPOSE. KOHLER CO. AND/OR SELLER DISCLAIM ANY LIABILITY FOR SPECIAL, INCIDENTAL OR CONSEQUENTIAL DAMAGES.

Some states/provinces do not allow limitations of how long an implied warranty lasts or the exclusion or limitation of such damages, so these limitations and exclusions may not apply to you. This warranty gives the consumer specific legal rights. You may also have other rights that vary from state/province to state/province. This warranty is to the original consumer purchaser only, and excludes product damage due to installation error, product abuse, or product misuse, whether performed by a contractor, service company, or the consumer.

This is Kohler Co.'s exclusive written warranty.

* Never use cleaners containing abrasive cleansers, ammonia, bleach, acids, waxes, alcohol, solvents or other products not recommended for stainless steel or polypropylene plastic. This will void the warranty.

Mesures de sécurité importantes

LIRE TOUTES LES INSTRUCTIONS AVANT UTILISATION

Lors de l'utilisation de produits électriques, et en particulier en présence d'enfants, toujours observer les mesures de sécurité fondamentales, notamment:



AVERTISSEMENT: Risque de blessures. Ne pas retirer le couvercle de protection de la lampe UV. Les yeux pourraient subir des lésions lorsque l'on regarde directement dans la lumière UV. Toujours s'assurer que la lampe est éteinte avant d'ouvrir le couvercle de protection. Lorsque la veilleuse clignote, la lampe UV est en train de fonctionner.



ATTENTION: Risque de blessures. Le remplacement de la lampe UV peut seulement être effectué par un personnel d'entretien qualifié.

IMPORTANT! Risque d'endommagement du produit. Ne pas installer ce produit dans un emplacement exposé à un excès d'humidité et où de la condensation pourrait se former sur la surface du produit. Fournir une ventilation adéquate lors des bains afin d'éviter d'endommager les composants électroniques en raison des niveaux d'humidité.

IMPORTANT! Risque d'endommagement du produit. Des fuites d'eau pourraient se produire si l'on pousse ou tire sur le raccord d'eau.

IMPORTANT! Risque d'endommagement du produit. Ne pas appliquer de force excessive sur les baguettes de vaporisation.

IMPORTANT! Risque d'endommagement du produit. Prendre les mesures nécessaires pour maintenir les tuyaux au chaud dans les régions où l'eau pourrait geler. Toute l'eau présente dans le siège pourrait geler pendant l'entreposage en hiver. Laisser le dispositif se réchauffer à la température ambiante avant de l'installer ou de l'utiliser.

Mesures de sécurité importantes (cont.)

IMPORTANT! Risque d'endommagement du produit. Ne pas fournir d'alimentation électrique au dispositif avant d'avoir effectué le travail d'installation de la plomberie; ceci pourrait créer des problèmes de fonctionnement.

REMARQUE: Les protecteurs thermiques pourraient se déclencher pendant l'entreposage ou le transport par temps chaud, et le dispositif ne fonctionnera pas. Laissez le dispositif se refroidir à la température ambiante avant de l'installer ou de l'utiliser.



DANGER: Pour réduire le risque d'électrocution:

- Ne pas placer et ne pas entreposer ce produit dans un endroit où il pourrait tomber ou d'où il pourrait être tiré et tomber dans une baignoire ou un lavabo.
- Ne pas placer et ne pas laisser tomber cet appareil dans de l'eau ou un autre liquide.
- Ne pas essayer de récupérer un produit qui est tombé dans de l'eau. Débrancher l'appareil immédiatement.



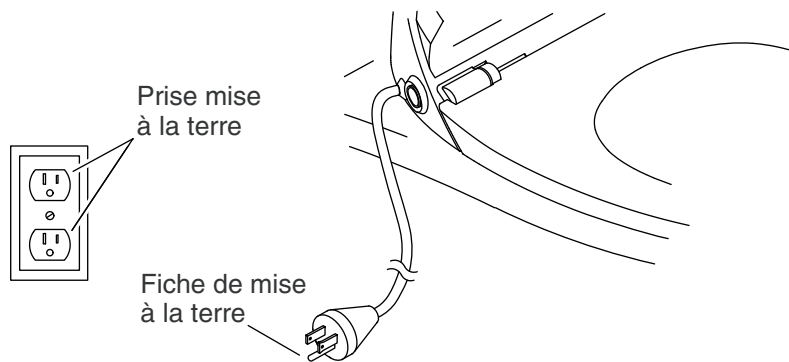
AVERTISSEMENT: Pour réduire le risque de brûlures, d'électrocution, d'incendie ou de blessures personnelles:

- Il est nécessaire de superviser de près lorsque ce produit est utilisé par de jeunes enfants, des personnes âgées ou invalides, ou lorsqu'il se trouve dans leur proximité. Ajuster la température du siège pour les personnes âgées, les personnes frappées d'incapacité, ou les personnes dont la peau est sensible.
- Utiliser ce produit uniquement pour l'usage pour lequel il est destiné, tel que décrit dans ce manuel. Ne pas utiliser de dispositifs d'attache non recommandés par Kohler Co.
- Ne jamais faire fonctionner ce produit si son cordon ou sa prise sont endommagés, s'il ne fonctionne pas correctement, s'il est tombé, s'il est endommagé, ou s'il est tombé dans de l'eau. Retourner le produit pour le faire examiner et réparer.
- Tenir le cordon à distance de surfaces chauffées.
- Ne jamais bloquer les ouvertures d'air du produit et ne jamais le placer sur une surface molle, comme un lit ou un divan, à un emplacement où les ouvertures d'air pourraient être bloquées. S'assurer de l'absence de peluches, de cheveux ou d'autres éléments similaires sur les ouvertures d'air.

Mesures de sécurité importantes (cont.)

- Ne jamais utiliser ce dispositif lorsque l'on dort ou si l'on se sent somnolent.
- Ne jamais faire tomber ou insérer un objet quelconque dans une ouverture ou un tuyau.
- Ne pas utiliser ce dispositif à l'extérieur et ne pas le faire fonctionner en présence de produits aérosols ou si l'on administre de l'oxygène.
- Connecter ce produit à une prise mise à la terre de manière adéquate uniquement. Voir la section "Instructions de mise à la terre".
- Ce produit est conforme aux conditions applicables de l'US 21 CFR, Chapitre 1, Sous-chapitre J, Hygiène radiologique.

CONSERVER CES INSTRUCTIONS



Instructions de mise à la terre



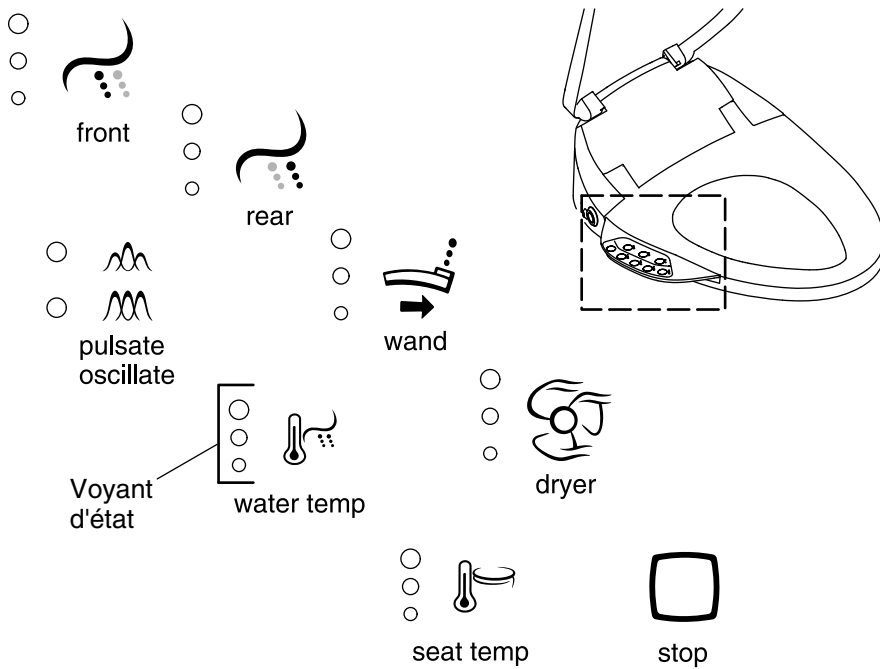
AVERTISSEMENT: Risque de choc électrique, d'incendie, ou de blessures corporelles. Ce produit doit être mis à la terre et connecté uniquement à un circuit nominal dédié de 120 V c.a., 60 Hz protégé par un disjoncteur de fuite de terre (GFCI) ou par un dispositif à courant résiduel (RCD) de 15 A minimum.

- Ce produit doit être mis à la terre. En cas de court-circuit, la mise à la terre réduit le risque d'électrocution en apportant un câble d'échappement pour le courant électrique. Ce produit est équipé d'un cordon muni d'un câble de mise à la terre avec une fiche de mise à la terre. Cette fiche doit être branchée dans une prise installée et mise à la terre de manière adéquate.



DANGER: Risque de choc électrique. L'utilisation incorrecte de la fiche de mise à la terre peut résulter en risque de choc électrique.

- S'il est nécessaire de remplacer le cordon ou la fiche, ne pas brancher le câble de mise à la terre à l'une des bornes à lame plate. Le câble avec isolation dont l'extérieur est vert avec ou sans rayures jaunes est le câble de mise à la terre.
- Vérifier auprès d'un électricien qualifié ou d'un dépanneur si les instructions de mise à la terre ne sont pas bien comprises ou en cas de doute sur la mise à la terre adéquate du produit.
- Ne pas utiliser de cordon de rallonge avec ce produit.



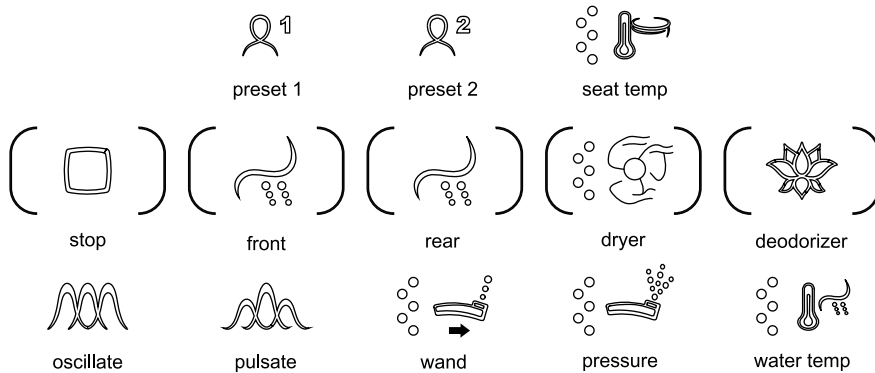
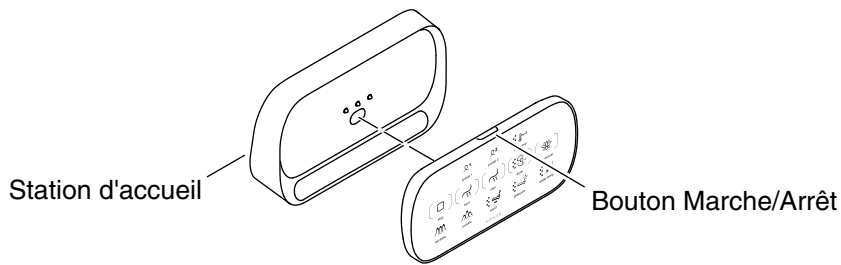
Fonctionnement manuel

REMARQUE: Pour les fonctions avec plusieurs réglages, appuyer sur l'icône pour déplacer le réglage à un niveau supérieur. Si la fonction est réglée sur le niveau le plus élevé, elle est désactivée si l'on appuie sur l'icône, ou ajuster la fonction à un réglage inférieur.

- **"stop" (arrêt)** - Arrête les fonctions de lavage avant, de lavage arrière, ou celles du séchoir ou du désodorisant. La fonction de désodorisant est réactivée automatiquement lorsque le capteur du siège détecte l'utilisateur suivant.
- **"front" (avant)** - Active la fonction de lavage avant et règle la pression d'eau de lavage avant.
- **"rear" (arrière)** - Active la fonction de lavage arrière et règle la pression d'eau de lavage arrière.
- **"wand" (baguette)** - Prolonge la position de la baguette. Cinq réglages sont possibles.

Fonctionnement manuel (cont.)

- **"dryer" (séchoir)** - Active le séchoir et règle la température de l'air. Appuyer une fois pour activer le séchoir. Pendant qu'il est activé, appuyer de nouveau pour augmenter la température de l'air. Chaque appui régler la température de l'air par six réglages. Le séchoir s'arrête automatiquement au bout de 4 minutes.
- **"pulsate oscillate" (pulser osciller)** - Appuyer une fois pour pulser le débit d'eau en provenance de la baguette de vaporisation. Appuyer de nouveau pour osciller la baguette en un mouvement de va-et-vient. Appuyer une troisième fois pour osciller et pulser simultanément. Appuyer de nouveau pour éteindre la fonction.
- **"water temp" (temp. eau)** - Change la température du vaporisateur d'eau. Six réglages sont possibles.
- **"seat temp" (temp. siège)** - Change la température du siège chauffé. Six réglages sont possibles.
- **Voyant d'état** - Indique l'état d'une fonction activée. Lorsque cette caractéristique est configurée sur le niveau le plus bas, le voyant inférieur est allumé. Au deuxième niveau, le voyant inférieur est allumé alors que le voyant du milieu clignote. Au troisième niveau, le voyant inférieur et le voyant du milieu sont allumés. Au quatrième niveau, le voyant inférieur et le voyant du milieu sont allumés alors que le voyant supérieur clignote. Au cinquième niveau, les trois voyants sont allumés.
- **Désodorisant** - Pour activer ou désactiver le désodorisant automatique, appuyer simultanément sur les icônes "stop" (arrêt) et "dryer" (séchoir) et continuer à appuyer pendant 2 secondes.
- **Désinfection par UV** - Pour activer ou désactiver la désinfection quotidienne automatique par UV de la baguette, appuyer simultanément sur les icônes "stop" (arrêt) et "wand" (baguette) et continuer à appuyer pendant 2 secondes.
- **Veilleuse** - Pour activer ou désactiver la veilleuse automatique, appuyer sur l'icône "stop" (arrêt) et continuer à appuyer pendant 2 secondes.



Fonctionnement de la télécommande

REMARQUE: La télécommande doit être chargée pour fonctionner. La télécommande se charge lorsqu'elle est attachée à la station d'accueil.

- Appuyer sur le bouton Marche/Arrêt pour mettre la télécommande en marche ou pour l'arrêter.

Synchronisation de la télécommande

REMARQUE: Synchroniser la télécommande pour établir une connexion. S'il n'y a pas de connexion, les icônes situées sur la rangée du bas clignotent de façon constante.

- Lorsque la rangée inférieure des icônes clignote de façon constante, appuyer sur l'icône "**dryer**" (**séchoir**) et continuer à appuyer jusqu'à ce que l'icône clignote rapidement.
- Relâcher l'icône "**dryer**" (**séchoir**). Les icônes doivent continuer à clignoter.

Fonctionnement de la télécommande (cont.)

- Sur les commandes manuelles, appuyer simultanément sur les icônes "**rear**" (**arrière**) et "**front**" (**avant**) et continuer à appuyer jusqu'à ce que les icônes de la télécommande s'arrêtent de clignoter.
- La télécommande est maintenant synchronisée.

Utilisation de la télécommande

REMARQUE: Pour les fonctions avec plusieurs réglages, appuyer sur l'icône pour déplacer le réglage à un niveau supérieur. Si la fonction est réglée au niveau le plus élevé, elle se désactive si l'on appuie sur l'icône, ou ajuster la fonction à un réglage inférieur.

- Pour les fonctions "**seat temp,**" (**temp. siège**), "**front,**" (**avant**), "**rear,**" (**arrière**), "**dryer,**" (**séchoir**), "**wand,**" (**baguette**) et "**water temp**" (**temp. eau**), se reporter à la section "Fonctionnement manuel".
- "**preset 1**" (**préréglage 1**) et "**preset 2**" (**préréglage 2**) - Se reporter aux sections "Préréglages utilisateur" ci-dessous.
- "**stop**" (**arrêt**) - Arrête les fonctions de lavage avant, de lavage arrière, ou du désodorisant. Appuyer et continuer à appuyer pendant 3 secondes pour éteindre la télécommande.
- "**deodorizer**" (**désodorisant**) - Active le désodorisant. Pour désactiver, appuyer sur l'icône "**stop**" (**arrêt**).

REMARQUE: La pulsation et l'oscillation peuvent être activées en même temps.

- "**oscillate**" (**osciller**) - Déplace la baguette vers l'intérieur et l'extérieur pendant le lavage. Appuyer sur l'icône une deuxième fois pour désactiver le mouvement.
- "**pulsate**" (**pulser**) - Alterne le débit d'eau en provenance de la baguette. Appuyer sur l'icône une deuxième fois pour arrêter le débit avec pulsation.
- "**pressure**" (**pression**) - Ajuste la force de l'eau en provenance de la baguette. Cinq réglages sont possibles.

Configuration des préréglages utilisateur

REMARQUE: Les préréglages permettent à deux utilisateurs d'enregistrer leurs réglages des fonctions. Lorsque les options "**preset 1**" (**préréglage 1**) ou "**preset 2**" (**préréglage 2**) sont sélectionnées, les préférences enregistrées sont activées.

Fonctionnement de la télécommande (cont.)

- Pendant que l'on est assis, ajuster les fonctions du siège selon les préférences.
- Appuyer sur l'icône de préréglage et continuer à appuyer pendant 3 secondes pour enregistrer les fonctions activées au réglages actuels.
- Pour modifier un réglage, ajuster le lavage avant, le lavage arrière ou la fonction du séchoir pendant que le préréglage est en cours d'utilisation. Appuyer sur l'icône préréglée et continuer à appuyer pendant 3 secondes pour enregistrer le nouveau réglage dans la mémoire.

Utilisation des préréglages utilisateur

- Lorsque les options "preset 1" (préréglage 1) ou "preset 2" (préréglage 2) sont sélectionnées pendant que l'utilisateur est assis, le lavage avant, le lavage arrière ou le séchoir fonctionnent aux réglages qui ont été enregistrés.
- Si l'on appuie sur l'icône de préréglage pendant que le siège est occupé, le siège change graduellement (2 minutes environ) à la température préréglée.

Désynchronisation de la télécommande

REMARQUE: La télécommande doit être désynchronisée du siège avant qu'une nouvelle télécommande puisse être synchronisée.

- Appuyer sur le bouton Marche/Arrêt pour activer la télécommande.
- Éloigner la télécommande du siège jusqu'à ce que les icônes de la rangée inférieure clignotent de manière constante.
- La télécommande est maintenant désynchronisée.

Entretien et nettoyage

Pour obtenir les meilleurs résultats possibles, prendre ce qui suit en considération lors de l'entretien de votre produit KOHLER:

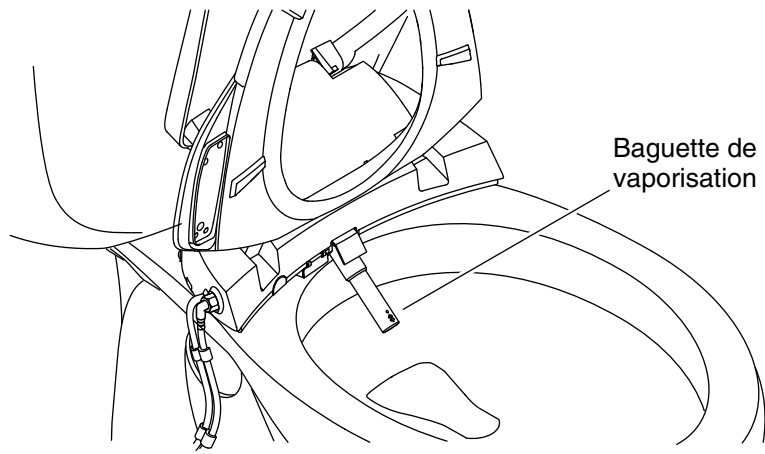
IMPORTANT! Ne pas immerger le produit dans de l'eau.

- Toujours tester la solution de nettoyage sur une surface non visible avant de l'appliquer sur l'ensemble de la surface.

Entretien et nettoyage (cont.)

- Utiliser une éponge ou un chiffon doux et légèrement mouillé pour essuyer les surfaces. Enlever le nettoyant rapidement après l'application. Rincer et sécher tout éclaboussement sur les surfaces avoisinantes.
- Ne pas laisser les nettoyants tremper sur les surfaces.
- Ne jamais utiliser de matériau abrasif tel qu'une brosse ou une éponge à récurer pour nettoyer les surfaces.

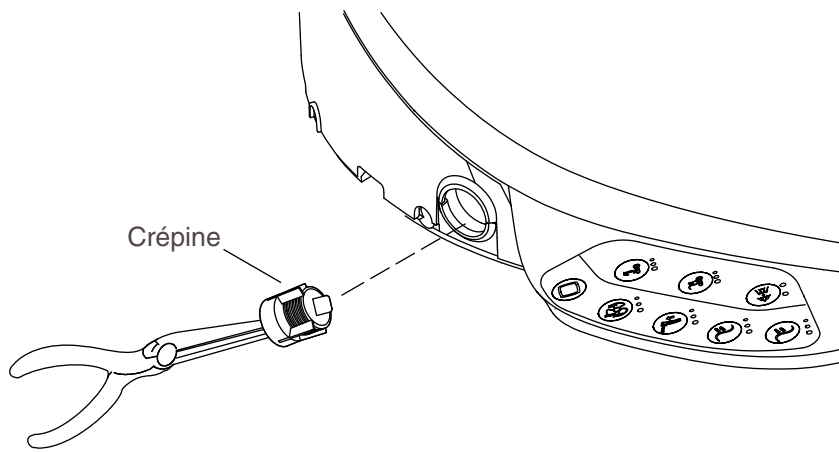
Pour obtenir des informations détaillées sur le nettoyage et les produits à considérer, consulter le site www.kohler.com/clean. Pour commander des informations sur l'entretien & le nettoyage, appeler le 1-800-456-4537.



Nettoyage de la baguette de vaporisation

REMARQUE: La baguette de vaporisation peut seulement être prolongée pour le nettoyage lorsque le siège n'est pas activé ou occupé.

- Lever le couvercle et le siège.
- Appuyer sur l'icône "**wand**" (**baguette**) sur le panneau pour prolonger la baguette vers l'avant pour le nettoyage.
- Nettoyer la baguette de vaporisation avec une brosse à poils doux et de l'eau chaude.
- Appuyer de nouveau sur l'icône "**wand**" (**baguette**) pour rétracter la baguette.



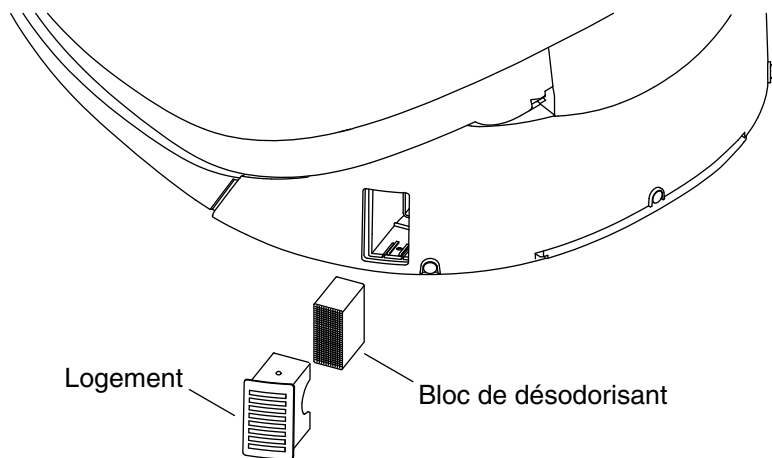
Nettoyage de la crépine

REMARQUE: La crépine doit être nettoyée tous les six mois ou chaque fois que l'on observe une réduction dans le débit d'eau maximum en provenance de la baguette de vaporisation.

- Couper l'arrivée d'eau au niveau du robinet d'arrêt d'arrivée.
- Déconnecter le tuyau d'arrivée d'eau de l'orifice d'entrée.
- À l'aide d'une pince à bec long, retirer la crépine avec précaution de l'orifice d'entrée.
- Nettoyer la crépine avec une brosse à poils doux.
- Réinstaller la crépine.

ATTENTION: Risque d'endommagement du produit. Ne pas fausser la connexion tuyau à orifice d'entrée.

- Reconnecter le tuyau d'arrivée d'eau à l'orifice d'entrée, d'1/4 de tour au-delà du serrage à la main.
- Ouvrir l'alimentation en eau.
- Inspecter tous les raccords pour y rechercher des fuites et effectuer tous les réglages selon les besoins.

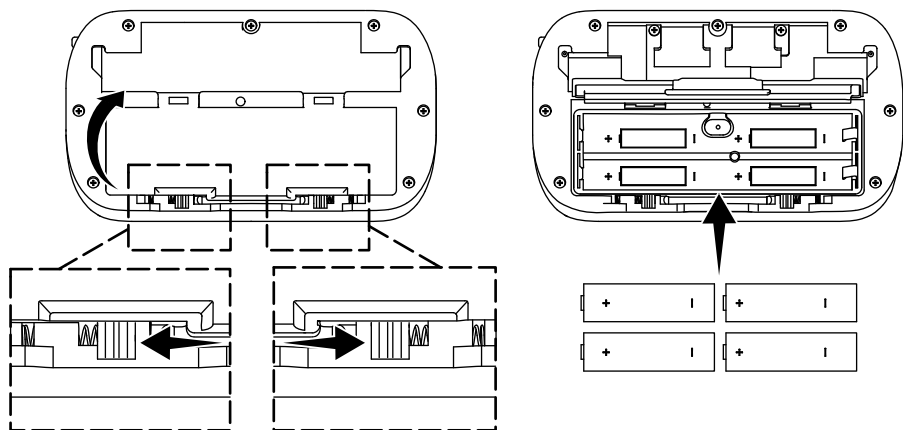


Remplacement du désodorisant

REMARQUE: Le désodorisant doit être remplacé tous les deux ans ou lorsque sa performance diminue.

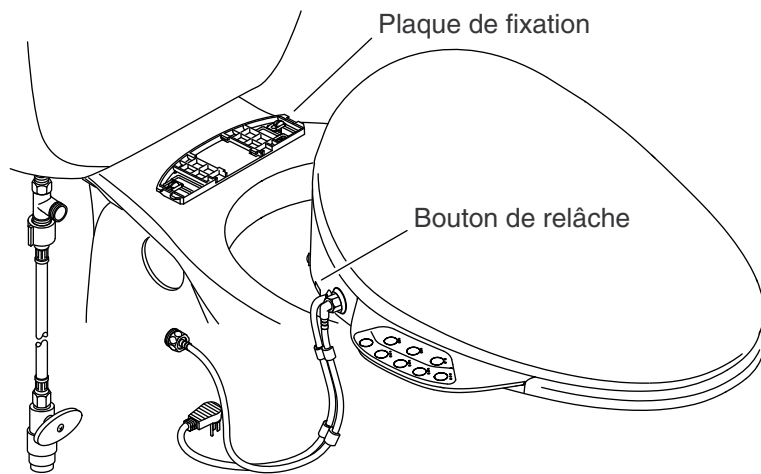
- Retirer avec précaution le logement du désodorisant du siège.
- Retirer le bloc de désodorisant du logement.
- Insérer le bloc de désodorisant neuf dans le logement.
- Réinstaller le logement dans le siège.

Arrière de la station d'accueil



Remplacement des piles

- Retirer la télécommande de la station d'accueil.
- Retirer la station d'accueil du mur en la levant avec précaution pour la faire sortir.
- Pousser les deux pattes se trouvant sur le compartiment à piles vers l'extérieur en même temps.
- Ouvrir la porte du compartiment à piles.
- Retirer les piles.
- Installer les piles de rechange en les dirigeant selon le diagramme dans le compartiment à piles.
- Fermer la porte du compartiment à piles.
- Réinstaller la station d'accueil sur le mur.



Retrait du siège

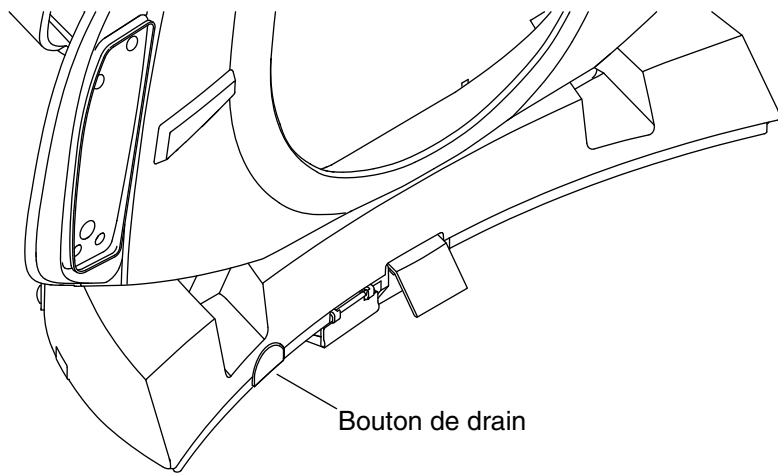
Pour le nettoyage

IMPORTANT! Lors du retrait du siège pour un nettoyage, veiller à ne pas exercer de force sur les raccords du tuyau.

- Appuyer sur le bouton de dégagement.
- Glisser le siège vers l'avant pour accéder à la zone autour de la plaque de fixation. Éviter d'exercer une pression sur les tuyaux.
- Nettoyer la zone selon les besoins.
- Pour réinstaller, glisser le siège vers l'arrière jusqu'à ce qu'il engage la plaque de fixation.

Pour l'entretien

- Couper l'arrivée d'eau au niveau du robinet d'arrêt d'arrivée.
- Passer la chasse pour relâcher toute pression du tuyau d'arrivée d'eau.
- Débrancher le cordon d'alimentation de la prise électrique.
- Déconnecter le tuyau d'arrivée d'eau de la vanne en T.
- Appuyer sur le bouton de dégagement.
- Glisser le siège vers l'avant pour le dégager de la plaque de fixation.
- Lorsque l'entretien est terminé, réinstaller le siège et reconnecter tous les composants.



Bouton de drain

Vidange du réservoir

AVIS: Vider l'eau de la conduite d'eau interne si le siège n'est pas utilisé pendant de longues périodes, ou s'il y a une possibilité de températures de gel.

- Couper l'arrivée d'eau et débrancher le dispositif.
- Passer la chasse pour relâcher toute pression du tuyau d'arrivée d'eau.
- Appuyer sur le bouton du drain jusqu'à ce que toute l'eau soit vidangée de la conduite d'eau interne.

Dépannage

Ce guide de dépannage est seulement destiné à fournir une aide d'ordre général. Un représentant du service agréé Kohler Co. ou un électricien qualifié doit rectifier tous les problèmes électriques.

Pour obtenir un service de garantie, appeler le Service après-vente en utilisant les numéros se trouvant sur la page arrière de ce manuel.

Fonctions de nettoyage

Symptômes	Causes probables	Action recommandée
1. Aucun débit d'eau.	A. L'utilisateur n'est pas détecté par le capteur du siège.	A1. Les petits enfants pourraient être trop légers pour être détectés par le capteur.

Dépannage (cont.)		
Fonctions de nettoyage		
Symptômes	Causes probables	Action recommandée
		A2. Changer de position sur le siège. Le capteur se trouve sur l'avant du siège.
	B. L'arrivée d'eau n'est pas ouverte.	B. Ouvrir entièrement le robinet d'arrêt d'arrivée d'eau.
2. La pression d'eau est faible.	A. La crépine est obstruée.	A. Nettoyer ou remplacer la crépine. Se reporter à la section "Nettoyage de la crépine".
	B. Le robinet d'arrêt d'arrivée d'eau est partiellement fermé.	B. Ouvrir entièrement le robinet d'arrêt d'arrivée d'eau.
3. L'eau s'arrête de s'écouler de la baguette de vaporisation avant que le nettoyage soit terminé.	A. Le lavage automatique s'arrête une minute après un appui sur l'icône du vaporisateur.	A. Appuyer sur l'icône " front " (avant) ou " rear " (arrière) pour redémarrer le nettoyage.
	B. L'utilisateur a changé de position et n'est plus détecté par le capteur de siège.	B. Changer de position sur le siège. Le capteur se trouve sur l'avant du siège.
4. Des sons d'égouttement sont entendus avant et après l'utilisation des fonctions de nettoyage.	A. L'unité passe par le cycle de nettoyage avant ou après utilisation.	A. Aucune action n'est nécessaire.
Fonction de désodorisant		
Symptômes	Causes probables	Action recommandée
1. La fonction de désodorisant ne fonctionne pas.	A. Le désodorisant n'est pas activé.	A. Appuyer sur l'icône " deodorizer " (désodorisant).

Dépannage (cont.)		
Fonction de désodorisant		
Symptômes	Causes probables	Action recommandée
	B. L'utilisateur n'est pas détecté par le capteur du siège.	B. Changer de position sur le siège. Le capteur se trouve sur l'avant du siège.
2. L'odeur n'est pas éliminée.	A. Le filtre à charbon a dépassé la durée de vie prévue de deux ans.	A. Remplacer le filtre à charbon. Visiter le site kohler.com/serviceparts pour commander un filtre neuf.
	B. Le ventilateur ne fonctionne pas lorsque le siège est occupé.	B1. Confirmer que le siège est alimenté.
		B2. Appeler le Service après-vente en se reportant aux informations figurant au dos de ce manuel.
Fonction de séchage		
Symptômes	Causes probables	Action recommandée
1. Le séchoir s'arrête en cours d'utilisation.	A. Le séchoir s'arrête automatiquement une fois que l'on a appuyé sur l'icône "dryer" (séchoir).	Appuyer sur l'icône "dryer" (séchoir) pour redémarrer.
Capteur de siège		
Symptômes	Causes probables	Action recommandée
1. Les fonctions de lavage, de désodorisant ou de séchage fonctionnent lorsque l'on appuie sur l'icône pendant que le siège n'est pas occupé.	A. Le capteur de siège est couvert par un objet ou le siège est mouillé.	A. Retirer toute l'eau ou tout objet de la zone du capteur de siège.

Dépannage (cont.)		
Capteur de siège		
Symptômes	Causes probables	Action recommandée
2. Bien que le siège soit occupé, la fonction de vaporisation ne fonctionne pas.	A. L'utilisateur n'est pas détecté par le capteur du siège.	A. Changer de position sur le siège. Le capteur se trouve sur l'avant du siège.
3. Le siège ne se réchauffe pas.	A. Le siège est en mode d'économie d'énergie.	A1. Le siège se réchauffe en l'espace de 5 minutes après avoir été activé.
		A2. Les petits enfants pourraient être trop légers pour être détectés par le capteur.
Télécommande		
Symptômes	Causes probables	Action recommandée
1. La télécommande ne fait pas fonctionner le siège.	A. Les piles sont vides.	A. Remplacer les piles.
	B. Les batteries ne sont pas installées correctement.	B. Réinstaller les piles conformément à la section "Remplacement des piles".
2. Les icônes se trouvant sur la rangée inférieure de la télécommande clignotent.	A. La télécommande n'est pas synchronisée avec le siège.	A. Synchroniser la télécommande. Se référer à la section "Fonctionnement de la télécommande".
Autre		
Symptômes	Causes probables	Action recommandée
1. Le siège est desserré.	A. Les dispositifs d'attache de la plaque de fixation sont desserrés.	A. Serrer les dispositifs d'attache. Se référer au guide d'installation.

Conformité de la télécommande

Cet appareil est conforme à la section 15 des réglementations de la FCC. Le fonctionnement de l'appareil est soumis aux deux conditions suivantes:

1. Cet appareil ne doit pas provoquer d'interférences néfastes, et
2. Cet appareil doit tolérer les interférences reçues, y compris celles qui risquent de provoquer un fonctionnement indésirable.

Tous changements ou modifications non expressément approuvés par la partie responsable garantissant la conformité, pourraient annuler le droit à l'utilisateur d'opérer l'équipement.

Cet appareil a été testé et est considéré conforme aux limitations d'un appareil numérique de classe B, selon la section 15 des réglementations FCC. Ces limites sont conçues pour fournir une protection raisonnable contre toute interférence nuisible lors d'une installation résidentielle. Cet appareil génère, utilise et peut émettre une énergie de radiofréquence et, s'il n'est pas installé et utilisé conformément aux instructions, pourrait être la cause d'interférences nuisibles aux communications par radio. Cependant, il n'est pas garanti qu'aucune interférence n'aura lieu dans une installation particulière. Si cet équipement cause des interférences radio nuisibles à la réception de radio ou de télévision, ce qui peut être déterminé en éteignant l'équipement et en le rallumant, l'utilisateur est encouragé à essayer de rectifier cette interférence par l'un des moyens suivants:

- Réorienter ou changer l'emplacement de l'antenne de réception.
- Augmenter la séparation entre l'équipement et le récepteur.
- Brancher l'équipement sur une prise d'un circuit différent de celui auquel le récepteur est connecté.
- Consulter un revendeur ou un technicien radio/TV expérimenté pour obtenir de l'assistance.

Avertissement d'exposition RF

Cet émetteur et son antenne sont conformes aux limites d'exposition RF de la FCC pour le public général/l'exposition non contrôlée.

Cet appareil ne doit pas être co-localisé ou opéré avec toute autre antenne ou tout autre émetteur.

Le présent appareil est conforme aux CNR d'Industrie Canada applicables aux appareils radio exempts de licence.

Conformité de la télécommande (cont.)

Le fonctionnement de l'appareil est soumis aux deux conditions suivantes:

1. L'appareil ne doit pas produire de brouillage, et
2. Cet appareil doit tolérer les interférences reçues, y compris celles qui risquent de provoquer un fonctionnement indésirable.

Cet émetteur et son antenne sont conformes aux limites d'exposition RF d'Industrie Canada pour le public général/l'exposition non contrôlée.

Cet appareillage numérique de classe B est conforme à la norme canadienne NMB-003.

Garantie

Garantie limitée de trois ans de la toilette intelligente et du siège de nettoyage C3 de KOHLER

Kohler Co. garantit que ses toilettes dotées de la fonctionnalité de nettoyage intégrée ("Toilettes intelligentes") et les sièges de nettoyage électriques contre tout vice de matériau et de fabrication lors d'une utilisation domestique normale, pendant trois ans à partir de la date d'installation du produit. La présente garantie s'applique uniquement aux toilettes intelligentes et aux sièges de nettoyage électriques installés aux États-Unis d'Amérique, au Canada et au Mexique ("Amérique du Nord").

En cas de défectuosité lors d'une utilisation domestique normale, Kohler Co. choisira, à son gré, la réparation, le remplacement de la pièce ou du produit, ou la rectification appropriée, dans les cas où l'inspection de Kohler révélerait une telle défectuosité. Tout dommage causé par un accident, une mauvaise utilisation ou un mauvais traitement n'est pas couvert par la présente garantie. Un entretien et un nettoyage inadéquats annulent la garantie*. Une preuve d'achat (ticket de caisse d'origine) doit être présentée à Kohler Co. avec toutes les réclamations au titre de la garantie. Kohler Co. n'est pas responsable des frais de main-d'œuvre, d'installation ou de tout autre frais particulier accessoire ou indirect que ceux susmentionnés. La responsabilité de Kohler Co. ne dépassera en aucun cas le prix d'achat de la toilette intelligente ou du siège de nettoyage électrique.

Si les toilettes intelligentes ou les sièges de nettoyage électrique sont utilisés dans un commerce ou si ces articles sont installés hors de l'Amérique du Nord, Kohler Co. garantit la toilette intelligente ou le siège de nettoyage électrique contre tout vice de matériau et de fabrication pendant un (1) an à partir de la date d'installation dudit

Garantie (cont.)

produit, et toutes les autres modalités de la présente garantie s'appliquent à l'exception de sa durée.

Pour toute réclamation au titre de la présente garantie, contacter le vendeur, plombier, centre de rénovation ou revendeur par internet. Fournir tous les renseignements pertinents à la réclamation, dont notamment une description complète du problème et du produit, le numéro de modèle, la date et le lieu d'achat du produit, ainsi que la date de son installation. Joindre également l'original de la facture. Pour de plus amples renseignements ou pour obtenir les coordonnées du service de réparation le plus proche, écrire à Kohler Co., Attn: Customer Care Center, Kohler, Wisconsin 53044, USA, ou appeler le 1-800-4-KOHLER (1-800-456-4537) à partir des É.-U. et du Canada, et le 001-800-456-4537 à partir du Mexique, ou consulter le site www.kohler.com aux É.-U., www.ca.kohler.com à partir du Canada, ou www.mx.kohler.com au Mexique.

LES GARANTIES SUSMENTIONNÉES SONT FOURNIES AU LIEU ET PLACE DE TOUTES AUTRES GARANTIES, EXPRESSES OU TACITES, Y COMPRIS LES GARANTIES TACITES DE COMMERCIALITÉ ET D'ADAPTATION À UN USAGE PARTICULIER. KOHLER CO. ET/OU LE REVENDEUR DÉCLINENT TOUTE RESPONSABILITÉ CONTRE LES DOMMAGES PARTICULIERS, ACCESSOIRES OU INDIRECTS.

Certains états et provinces ne permettent pas de limite sur la durée de la garantie tacite, ni l'exclusion ou la limite des dommages, et, par conséquent, lesdites limites et exclusions peuvent ne pas s'appliquer à votre cas. La présente garantie accorde au consommateur des droits juridiques particuliers. Vous pouvez également avoir d'autres droits qui varient d'un état ou d'une province à l'autre. La présente garantie est accordée uniquement à l'acquéreur d'origine et exclut tous dommages dus à une mauvaise installation, un usage abusif ou une mauvaise utilisation du produit, qu'ils soient effectués par un entrepreneur, une société de services ou le consommateur.

Ceci constitue la garantie écrite exclusive de Kohler Co.

*Ne jamais utiliser de nettoyeurs contenant des agents abrasifs, de l'ammoniaque, de l'eau de Javel, des acides, des cires, de l'alcool, des dissolvants ou autres produits non recommandés pour l'acier inoxydable ou le plastique polypropylène. Ceci annulera la garantie.

Guía del propietario

Asiento de limpieza con control remoto

Advertencias importantes de seguridad

LEA TODAS LAS INSTRUCCIONES ANTES DE USAR

Al emplear productos eléctricos, en especial cuando haya niños presentes, siempre cumpla las precauciones básicas de seguridad, incluidas las siguientes:



ADVERTENCIA: Riesgo de lesiones personales. No retire la cubierta protectora de la lámpara UV. Ver la luz UV directamente puede ocasionar daños a los ojos. Siempre asegúrese de que la lámpara esté apagada antes de abrir la cubierta protectora. Cuando la luz nocturna parpadea, indica que la lámpara UV está funcionando.



PRECAUCIÓN: Riesgo de lesiones personales. Solamente personal capacitado de servicio debe cambiar la lámpara UV.

¡IMPORTANTE! Riesgo de daños al producto. No instale este producto en un lugar donde quede expuesto a humedad excesiva, donde pudiera formarse condensación en la superficie del producto. Al tomar un baño, asegúrese de que haya ventilación adecuada para evitar daños a los componentes electrónicos debidos a altos niveles de humedad.

¡IMPORTANTE! Riesgo de daños al producto o a la propiedad. Si se empuja o si se tira de la conexión de agua podrían ocasionarse fugas de agua.

¡IMPORTANTE! Riesgo de daños al producto. No aplique fuerza excesiva a las varillas de rociado.

¡IMPORTANTE! Riesgo de daños al producto. En áreas donde el agua pudiera congelarse en las tuberías, haga lo necesario para evitar que se congele. El agua que quede en el asiento durante el

Advertencias importantes de seguridad (cont.)

almacenamiento en el invierno se podría congelar. Antes de volver a instalar o a usar la unidad, permita que llegue a la temperatura ambiente.

¡IMPORTANTE! Riesgo de daños al producto. No suministre corriente eléctrica a la unidad mientras no se haya completado la instalación de la plomería, ya que esto podría causar que el producto no funcionara bien.

NOTA: En climas cálidos los protectores térmicos podrían activarse durante el almacenamiento o el transporte, lo que causaría que la unidad no funcionara. Antes de instalar la unidad o ponerla en funcionamiento, deje que se enfríe hasta la temperatura ambiente.



PELIGRO: Para reducir el riesgo de electrocución:

- No coloque ni almacene este producto donde pudiera caer o ser jalado hacia dentro de una bañera o de un lavabo.
- No lo coloque ni lo deje caer en agua ni en ningún otro líquido.
- No trate de sacar del agua algún aparato que haya caído en ella. Desconéctelo de inmediato.



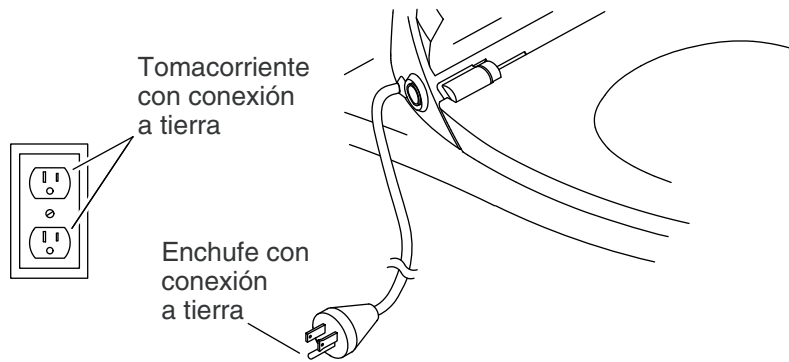
ADVERTENCIA: Para reducir el riesgo de quemaduras, electrocución, incendio o lesiones personales:

- Es necesario que haya supervisión cuando este producto esté siendo usado cerca de niños, ancianos o inválidos, o por ellos mismos. Ajuste la temperatura del asiento para los ancianos, los discapacitados o las personas con piel sensible.
- Use este producto únicamente con el fin para el que ha sido fabricado, tal como se describe en este manual. No use equipos adicionales que no recomiende Kohler Co.
- No haga funcionar este producto si el enchufe o el cable están dañados, si el equipo no funciona adecuadamente, si se ha dejado caer, si ha sufrido daños, o si ha caído en agua. Devuelva el producto para que sea examinado y reparado.
- Mantenga el cable lejos de superficies calientes.
- Nunca bloquee las aberturas para aire del producto ni lo coloque sobre una superficie blanda, como una cama o un sillón, donde las aberturas para aire pudieran quedar bloqueadas. Evite pelusa, cabello y similares en las aberturas para aire.
- Nunca utilice mientras duerma o esté adormilado.

Advertencias importantes de seguridad (cont.)

- No deje caer ni introduzca objetos en ninguna abertura o manguera.
- No utilice en exteriores ni en lugares en los que se empleen aerosoles o en los que se administre oxígeno.
- Conecte este producto solamente a un tomacorriente que esté conectado a tierra correctamente. Consulte la sección "Instrucciones de conexión a tierra".
- Este producto cumple las estipulaciones de US 21 CFR, Capítulo 1, Subcapítulo J, Salud Radiológica.

GUARDE ESTAS INSTRUCCIONES



Instrucciones de conexión a tierra



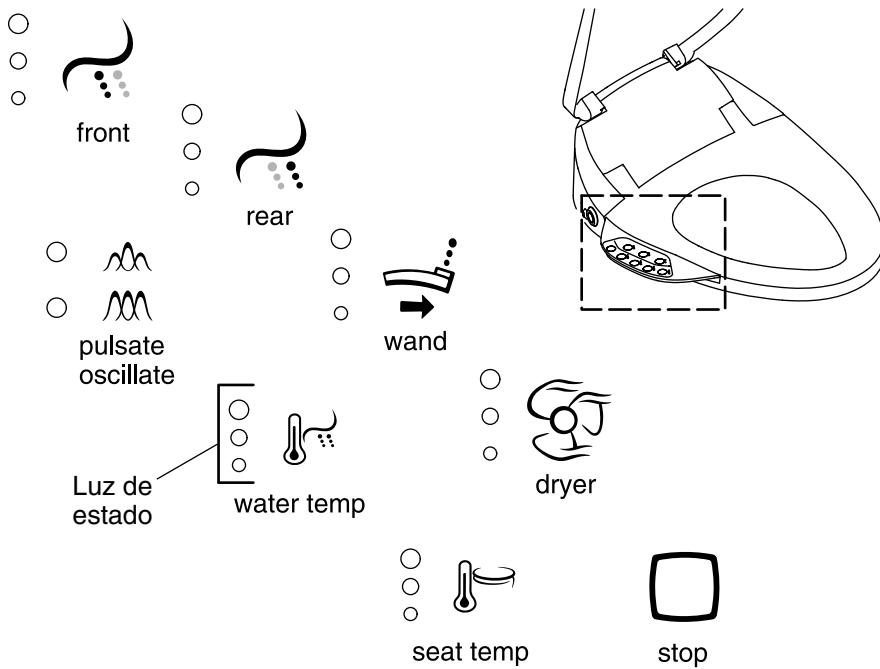
ADVERTENCIA: Riesgo de sacudida eléctrica, incendio o lesiones personales. Este producto debe tener conexión a tierra y conectarse solamente a un circuito dedicado nominal de 120 VCA, 60 Hz, protegido con un interruptor de circuito con pérdida a tierra (GFCI) o con un dispositivo de corriente residual (RCD) de 15 A como mínimo.

- Este producto se debe conectar a tierra. En caso de que haya un corto en el circuito eléctrico, la conexión a tierra reduce el riesgo de sacudida eléctrica ya que proporciona un alambre de escape para la corriente eléctrica. Este producto está equipado con un cable que tiene un alambre de conexión a tierra y un enchufe con conexión a tierra. El enchufe debe estar enchufado en un tomacorriente bien instalado y conectado a tierra.



PELIGRO: Riesgo de sacudidas eléctricas. El uso incorrecto del enchufe con conexión a tierra puede ocasionar un riesgo de sacudida eléctrica.

- Si es necesario reparar o cambiar el cable o el enchufe, no conecte el alambre de conexión a tierra a ninguno de los terminales de hoja plana. El alambre con aislamiento con superficie exterior verde, con o sin rayas amarillas, es el alambre de conexión a tierra.
- Si tiene alguna duda de si el producto está bien conectado a tierra, o si las instrucciones de conexión a tierra no están completamente claras, solicite la verificación de un electricista calificado o de personal de servicio.
- No utilice un cable de extensión con este producto.



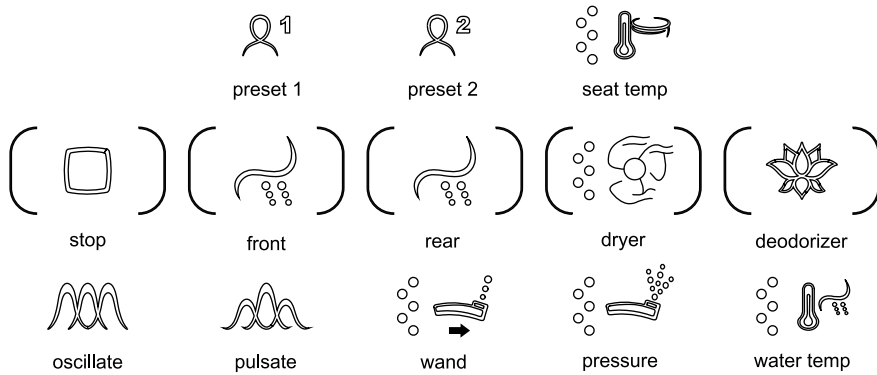
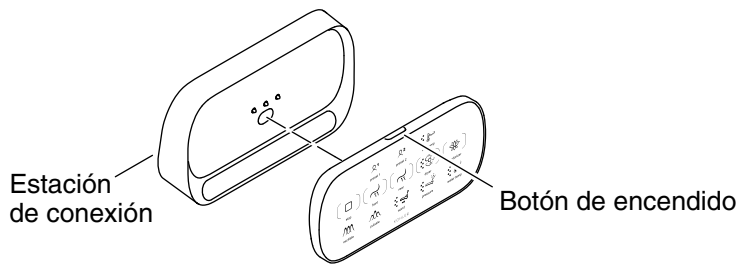
Funcionamiento manual

NOTA: En el caso de funciones con configuraciones múltiples, oprima el icono para cambiar la configuración a un nivel más alto. Si la función se establece a su nivel más alto, al oprimir el icono la función se desactiva o se ajusta a un nivel más bajo.

- **"stop" (parar)** - Detiene las funciones de lavado frontal, lavado posterior o desodorizante. El desodorizante se vuelve a activar automáticamente cuando el sensor del asiento detecta al siguiente usuario.
- **"front" (frontal)** - Activa la función de lavado frontal y ajusta la presión del agua para el lavado frontal.
- **"rear" (posterior)** - Activa la función de lavado posterior y ajusta la presión del agua para el lavado posterior.
- **"wand" (varilla)** - Extiende la posición de la varilla. Hay cinco posiciones de ajuste.

Funcionamiento manual (cont.)

- **"dryer" (secador)** - Activa el secador y ajusta la temperatura del aire. Oprima una vez para activar el secador. Mientras esté activado, vuelva a oprimir para aumentar la temperatura del aire. Cada vez que se oprime, cambia la temperatura a través de seis distintos niveles. El secador se apaga automáticamente después de 4 minutos.
- **"pulsate oscillate" (pulsar oscilar)** - Oprima una vez para que pulse el flujo de agua de la varilla de rociado. Oprima de nuevo para que la varilla oscile hacia atrás y hacia adelante. Oprima por tercera vez para oscilar y pulsar simultáneamente. Oprima de nuevo para apagar la función.
- **"water temp" (temperatura del agua)** - Cambia la temperatura del rocío de agua. Hay seis niveles de ajuste.
- **"seat temp" (temperatura del asiento)** - Cambia la temperatura de la calefacción del asiento. Hay seis niveles de ajuste.
- **Luz indicadora de estado** - Muestra el estado de una función habilitada. Cuando la función se establece a su nivel más bajo, el indicador inferior se ilumina. En el segundo nivel, el indicador inferior se ilumina mientras que el indicador intermedio parpadea. En el tercer nivel, los indicadores inferior e intermedio se iluminan. En el cuarto nivel, los indicadores inferior e intermedio se iluminan mientras que el indicador superior parpadea. En el quinto nivel, los tres indicadores están iluminados.
- **Desodorizante** - Para habilitar o inhabilitar el desodorizante automático, oprima y sostenga oprimidos los iconos "stop" y "dryer" simultáneamente durante 2 segundos.
- **Desinfección UV** - Para habilitar o inhabilitar la desinfección automática diaria de la varilla con rayos UV, oprima y sostenga oprimidos los iconos "stop" y "wand" simultáneamente durante 2 segundos.
- **Luz nocturna** - Para habilitar o inhabilitar la luz nocturna automática, oprima y sostenga oprimido el icono "stop" durante 2 segundos.



Funcionamiento del control remoto

NOTA: El control remoto debe estar cargado para que pueda funcionar. El control remoto se carga al colocarlo en la estación de conexión.

- Oprima el botón de encendido para encender o apagar el control remoto.

Sincronización del control remoto

NOTA: Sincronice el control remoto para establecer una conexión. Cuando no haya conexión, los iconos en la hilera inferior parpadean constantemente.

- Cuando los iconos en la hilera inferior parpadean constantemente, oprima y sostenga oprimido el icono "dryer" (secador) hasta que los iconos parpadeen rápidamente.
- Oprima el icono de secado "dryer" (secador). Los iconos deben continuar parpadeando.

Funcionamiento del control remoto (cont.)

- En los controles manuales, oprima y sostenga oprimidos simultáneamente los iconos de lavado posterior **"rear"** y frontal **"front"** hasta que los iconos en el control remoto dejen de parpadear.
- El control remoto está ahora sincronizado.

Uso del control remoto

NOTA: En el caso de funciones con configuraciones múltiples, oprima el icono para cambiar la configuración a un nivel más alto. Si la función se establece a su nivel más alto, al oprimir el icono la función se desactiva o se ajusta a un nivel más bajo.

- Consulte las funciones de **"seat temp"** (temperatura del asiento), **"front"** (frontal), **"rear"** (posterior), **"dryer"** (secador), **"wand"** (varilla) y **"water temp"** (temperatura del agua) en la sección "Funcionamiento manual".
- **"preset 1"** (preselección 1) y **"preset 2"** (preselección 2) -Consulte las secciones "Preselecciones del usuario" a continuación.
- **"stop"** (parar) - Detiene las funciones de lavado frontal, lavado posterior o desodorizante. Oprima y mantenga oprimido el icono durante 3 segundos para apagar el control remoto.
- **"deodorizer"** (desodorizante) - Activa el desodorizante. Para desactivarlo, oprima el icono **"stop"** (parar).

NOTA: Las funciones de pulsar y oscilar pueden ser activadas al mismo tiempo.

- **"oscillate"** (oscilar) - Mueve la varilla hacia dentro y hacia fuera durante el lavado. Oprima el icono una segunda vez para desactivar el movimiento.
- **"pulsate"** (pulsar) - Alterna el flujo de agua de la varilla. Oprima el icono una segunda vez para detener el flujo pulsante.
- **"pressure"** (presión) - Ajusta la fuerza del agua que sale de la varilla. Hay cinco posiciones de ajuste.

Cómo configurar las preselecciones del usuario

NOTA: Las preselecciones permiten a dos usuarios guardar sus selecciones de las funciones. Cuando se selecciona **"preset 1"** (preselección 1) o **"preset 2"** (preselección 2) se activan las preferencias que han sido guardadas.

Funcionamiento del control remoto (cont.)

- Al estar sentado, ajuste las funciones del asiento a sus preferencias.
- Oprima y sostenga oprimido el icono de preselección (preset) durante 3 segundos para guardar los ajustes actuales de las funciones activadas.
- Para cambiar una configuración, ajuste la característica de lavado frontal, lavado posterior, o secado mientras la preselección esté en uso. Oprima y sostenga oprimido el icono de preselección (preset) durante 3 segundos para almacenar el nuevo valor seleccionado a la memoria.

Uso de preselecciones del usuario

- Cuando se selecciona "preset 1" (preselección 1) o "preset 2" (preselección 2) al estar sentado, el lavado frontal, el lavado posterior, o el secado funcionan al valor preseleccionado que usted haya guardado.
- Si se oprime el icono de preselecciones mientras el asiento está ocupado, el asiento cambia gradualmente (aproximadamente 2 minutos) a la temperatura preseleccionada.

Desincronización del control remoto

NOTA: El control remoto debe ser desincronizado del asiento antes de poder sincronizar un nuevo control remoto.

- Oprima el botón de encendido para encender el control remoto.
- Aleje el control remoto del asiento hasta que los iconos en la hilera inferior comiencen a parpadear constantemente.
- El control remoto está ahora desincronizado.

Cuidado y limpieza

Para obtener los mejores resultados, tenga presente lo siguiente al limpiar su producto KOHLER:

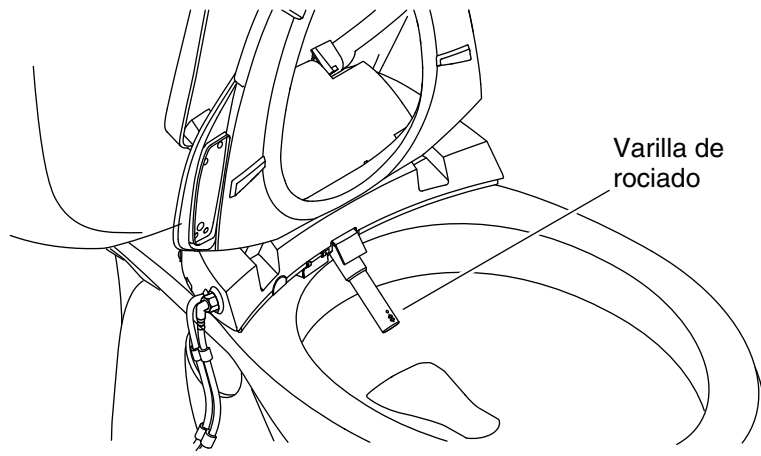
¡IMPORTANTE! No sumerja el producto en agua.

- Siempre pruebe la solución de limpieza en un área oculta antes de aplicarla a toda la superficie.
- Limpie bien con una esponja o con un trapo suave y húmedo. Retire el limpiador rápidamente después de aplicarlo. Enjuague y seque las superficies cercanas que hayan recibido salpicaduras.

Cuidado y limpieza (cont.)

- No deje mucho tiempo los limpiadores en las superficies.
- Para limpiar las superficies nunca utilice materiales abrasivos, como cepillos o estropajos de tallar.

Para obtener información detallada de limpieza y de productos a considerar, visite www.kohler.com/clean. Para solicitar información sobre el cuidado y la limpieza, llame al 1-800-456-4537.

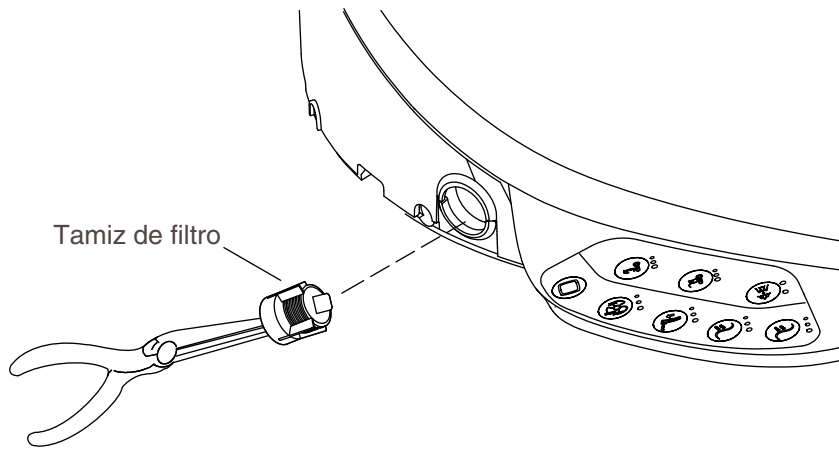


Varilla de rociado

Limpieza de la varilla de rociado

NOTA: La varilla de rociado solo se puede extender para limpiarla cuando el asiento no está activado u ocupado.

- Levante la tapa y el asiento.
- Oprima el icono "wand" (varilla) en el panel para extender la varilla hacia adelante para limpiarla.
- Limpie la varilla de rociado con un cepillo de cerdas suaves y agua caliente.
- Oprima el icono "wand" (varilla) de nuevo para retraer la varilla.



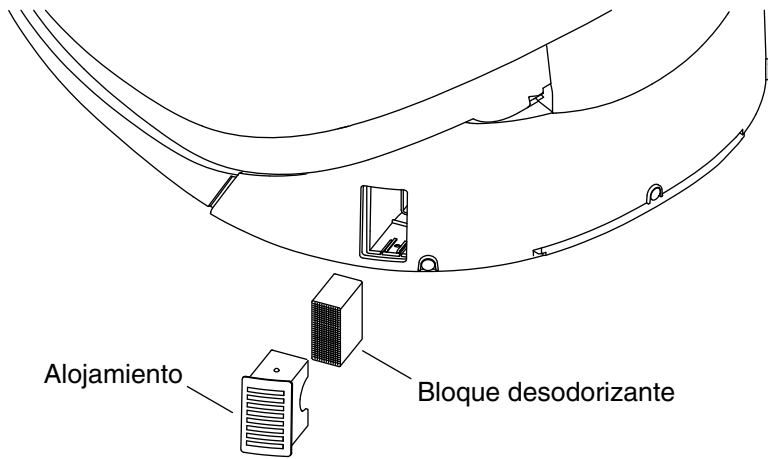
Limpieza del tamiz de filtro

NOTA: El tamiz de filtro debe limpiarse una vez cada seis meses o en cualquier momento en que baje el flujo de agua máximo de la varilla de rociado.

- Cierre el agua en la llave de paso de suministro.
- Desconecte la manguera de suministro de agua de la línea de entrada.
- Con pinzas de punta larga retire con cuidado el tamiz de filtro de la línea de entrada.
- Limpie el tamiz de filtro con un cepillo de cerdas suaves.
- Vuelva a instalar el tamiz de filtro.

PRECAUCIÓN: Riesgo de daños al producto. No trasrosque la conexión de la manguera a la línea de entrada.

- Vuelva a conectar la manguera de suministro de agua a la línea de entrada 1/4 de vuelta adicional después de apretar a mano.
- Abra el suministro de agua.
- Revise todas las conexiones para asegurarse de que no haya fugas, y haga los ajustes necesarios.

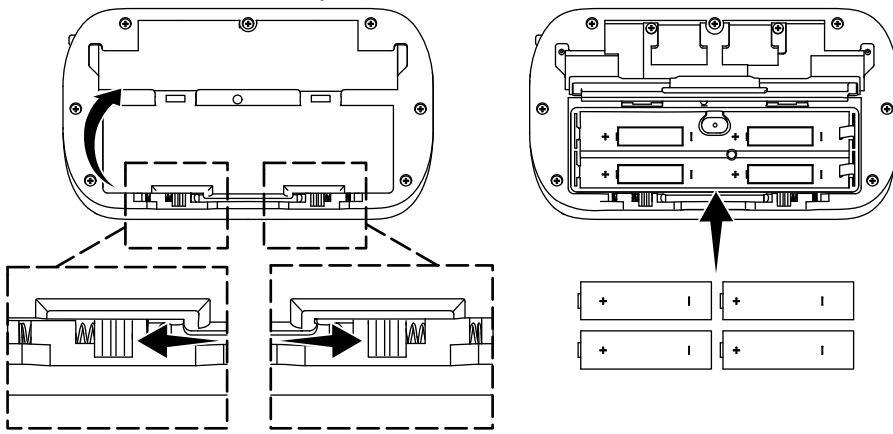


Cambio del desodorizante

NOTA: El desodorizante se debe cambiar cada dos años o cuando disminuya su rendimiento.

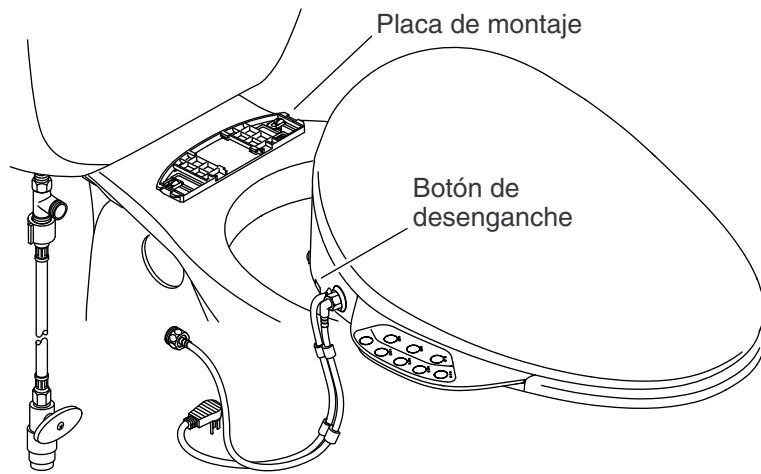
- Con cuidado retire el alojamiento del desodorizante del asiento.
- Retire el bloque desodorizante de su alojamiento.
- Instale el nuevo bloque desodorizante en el alojamiento.
- Vuelva a instalar el alojamiento en el asiento.

Parte posterior de la estación de conexión



Cambio de pilas

- Retire el control remoto de la estación de conexión.
- Retire la estación de conexión de la pared levantándola hacia arriba y hacia fuera con cuidado.
- Empuje hacia fuera al mismo tiempo ambas lengüetas en el compartimiento de pilas.
- Abra la puerta al compartimiento de pilas.
- Saque las pilas.
- Instale las pilas de repuesto, orientadas como se indica en el diagrama en el compartimiento de pilas.
- Cierre la puerta al compartimiento de pilas.
- Vuelva a instalar la estación de conexión a la pared.



Desmontaje del asiento

para limpiarlo

¡IMPORTANTE! Al desmontar el asiento para limpiarlo, tenga cuidado para evitar ejercer fuerza en las conexiones de la manguera.

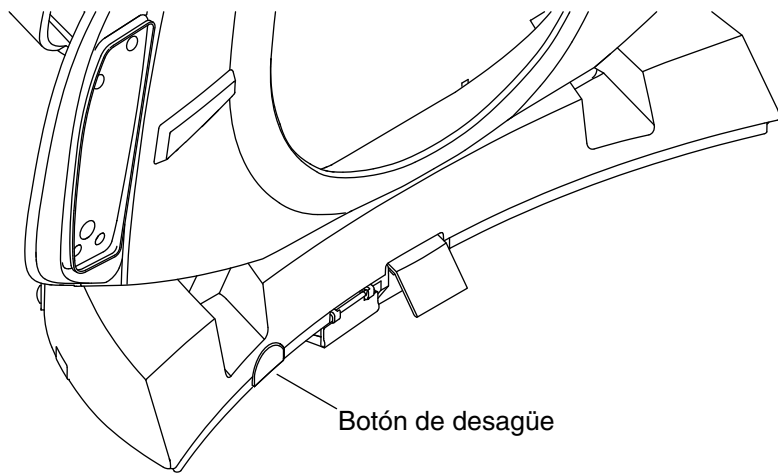
- Oprima el botón de desenganche.
- Deslice el asiento hacia adelante para obtener acceso al área alrededor de la placa de montaje. Evite ejercer presión en las mangueras.
- Limpie el área lo que sea necesario.
- Para volver a instalar el asiento, deslícelo hacia atrás hasta que se enganche en la placa de montaje.

para darle servicio

- Cierre el agua en la llave de paso de suministro.
- Accione la descarga del inodoro para eliminar la presión que pueda haber en la manguera de suministro.
- Desconecte el cable de suministro eléctrico del tomacorriente.
- Desconecte la manguera de suministro de agua de la válvula en T.
- Oprima el botón de desenganche.
- Deslice el asiento hacia adelante para soltarlo de la placa de montaje.

Desmontaje del asiento (cont.)

- Cuando termine de darle servicio, vuelva a instalarlo y a conectar todos los componentes.



Botón de desagüe

Vaciado del tanque

AVISO: Vacíe el agua de la línea interna de agua si el asiento no va a ser usado durante largos periodos de tiempo, o si existe la posibilidad de que haya temperaturas inferiores a la de congelación.

- Cierre el suministro de agua y desenchufe la unidad.
- Accione la descarga del inodoro para eliminar la presión que pueda haber en la manguera de suministro de agua.
- Oprima el botón de desagüe hasta que toda el agua drene de la línea interna de agua.

Resolución de problemas

Esta guía de resolución de problemas está diseñada únicamente como ayuda general. Todos los problemas eléctricos deben ser resueltos por un representante de servicio autorizado de Kohler Co. o un electricista calificado.

Para obtener servicio bajo garantía, comuníquese con el Centro de Atención al Cliente mediante los números en la página posterior de este manual.

Resolución de problemas (cont.)

Funciones de lavado

Síntomas	Causas probables	Acción recomendada
1. No hay flujo de agua.	A. El sensor del asiento no detecta al usuario.	A1. Es posible que los niños pequeños no pesen lo suficiente para ser detectados por el sensor. A2. Cambie su posición en el asiento. El sensor está ubicado en la parte delantera del asiento.
	B. El suministro de agua no está abierto.	B. Abra por completo la llave de paso de suministro de agua.
2. La presión de agua es baja.	A. El tamiz del filtro está tapado.	A. Limpie o cambie el tamiz del filtro. Consulte la sección "Limpieza del tamiz de filtro".
	B. La llave de paso de suministro de agua está parcialmente cerrada.	B. Abra por completo la llave de paso de suministro de agua.
3. El agua deja de fluir de la varilla de rociado antes de que termine el proceso de lavado.	A. El lavado se detiene automáticamente un minuto después de oprimir un icono de rocío.	A. Oprima el icono "front" (frontal) o "rear" (posterior) para reiniciar el proceso de lavado.
	B. El usuario cambió de posición y ya no lo detecta el sensor del asiento.	B. Cambie su posición en el asiento. El sensor está ubicado en la parte delantera del asiento.
4. Se escuchan sonidos de goteo antes y después de usar las funciones de lavado.	A. La unidad está ejecutando el ciclo de limpieza anterior o posterior al uso.	A. No se requiere acción de su parte.

Resolución de problemas (cont.)

Función desodorizante

Síntomas	Causas probables	Acción recomendada
1. No funciona la función desodorizante.	A. El desodorizante no está activado.	A. Oprima el icono del desodorizante "deodorizer"(desodorizante).
	B. El sensor del asiento no detecta al usuario.	B. Cambie su posición en el asiento. El sensor está ubicado en la parte delantera del asiento.
2. No se elimina el olor.	A. El filtro de carbón ha excedido la duración efectiva esperada de dos años.	A. Cambie el filtro de carbón. Ordene un nuevo filtro en kohler.com/serviceparts .
	B. El ventilador no funciona cuando el asiento está ocupado.	B1. Confirme que el asiento esté conectado a la corriente.
		B2. Llame al Centro de Atención al Cliente mediante la información en la página posterior de este manual.

Función de secador

Síntomas	Causas probables	Acción recomendada
1. El secador deja de funcionar durante el uso.	A. El secador se detiene automáticamente 10 minutos después de haber oprimido el icono "dryer" (secador).	A. Oprima el icono "dryer" (secador) para reactivar la función.

Resolución de problemas (cont.)

Sensor del asiento

Síntomas	Causas probables	Acción recomendada
1. Las funciones de lavado, desodorizante, o secador funcionan al oprimir el icono cuando no está ocupado el asiento.	A. El sensor del asiento está tapado por algún objeto o el asiento está mojado.	A. Quite el agua o el objeto del área del sensor del asiento.
2. Aunque el asiento esté ocupado, la función de rociado no funciona.	A. El sensor del asiento no detecta al usuario.	A. Cambie su posición en el asiento. El sensor está ubicado en la parte delantera del asiento.
3. El asiento no se calienta.	A. El asiento está en el modo de ahorro de energía.	A1. El asiento se calienta en menos de 5 minutos después de haber sido activado.
		A2. Es posible que los niños pequeños no pesen lo suficiente para ser detectados por el sensor.

Control remoto

Síntomas	Causas probables	Acción recomendada
1. El control remoto no hace funcionar el asiento.	A. Las pilas están bajas.	A. Cambie las pilas.
	B. Las pilas no están bien instaladas.	B. Vuelva a instalar las pilas de acuerdo a la sección "Cambio de pilas".
2. Los iconos en la hilera inferior del control remoto están parpadeando.	A. El control remoto no está sincronizado con el asiento.	A. Sincronice el control remoto. Consulte la sección "Funcionamiento del control remoto".

Resolución de problemas (cont.)

Otro

Síntomas	Causas probables	Acción recomendada
1. El asiento está suelto.	A. Los sujetadores de la placa de montaje están sueltos.	A. Apriete los sujetadores. Consulte la Guía de instalación.

Conformidad del control remoto

Este equipo cumple lo establecido en la sección 15 de las normas de la FCC. La operación de este equipo está sujeta a las siguientes dos condiciones:

1. Este equipo o dispositivo no puede causar interferencia perjudicial, y
2. Este dispositivo debe aceptar cualquier interferencia que reciba, incluida la interferencia que pudiera causar funcionamiento no deseado.

Cualquier modificación o cambio que no haya sido aprobado expresamente por la parte responsable de la conformidad podría invalidar el derecho del usuario a utilizar el producto.

Este equipo ha sido probado, y se ha encontrado que satisface los límites de un aparato digital Clase B, de acuerdo a la sección 15 de las normas de la FCC. Estos límites están diseñados para proveer protección razonable contra interferencia perjudicial en una instalación residencial. Este equipo genera, usa y puede radiar energía de radiofrecuencia y, si no se instala y utiliza en cumplimiento de las instrucciones, puede causar interferencia perjudicial a las comunicaciones de radio. Sin embargo, no se garantiza que la interferencia no pudiera ocurrir en una instalación en particular. Si este equipo causa interferencia perjudicial a la recepción de radio o televisión, lo que se puede determinar al encender y apagar el equipo, se le recomienda al usuario que trate de corregir la interferencia mediante una de las siguientes medidas:

- Cambiar la orientación o el lugar de la antena receptora.
- Aumentar la separación entre el equipo y el receptor.
- Conectar el equipo a un tomacorriente en un circuito diferente al que utiliza el receptor.

Conformidad del control remoto (cont.)

- Consultar al distribuidor o a un técnico con experiencia en radio/televisión para obtener ayuda.

Advertencia sobre exposición a radiofrecuencias

Este transmisor con su antena cumple los límites de exposición de radiofrecuencia (RF) de la FCC para la exposición no controlada/población general.

Este dispositivo no debe ubicarse ni hacerse funcionar con ninguna otra antena o transmisor.

Este dispositivo cumple las normas RSS de excepción de licencia de la Industria de Canadá.

La operación de este equipo está sujeta a las siguientes dos condiciones:

1. Este equipo no debe causar interferencia, y
2. Este equipo debe aceptar cualquier interferencia, incluida la interferencia que pueda causar funcionamiento no deseado.

Este transmisor con su antena cumple con los límites de exposición de radiofrecuencia (RF) de la Industria de Canadá para la exposición no controlada/población general.

Este aparato digital Clase B cumple la norma canadiense ICES-003.

Garantía

Garantía limitada de tres años del asiento de limpieza C3 y del inodoro inteligente KOHLER

Kohler Co. garantiza sus inodoros con funcionalidad integrada de limpieza ("inodoros inteligentes") y sus asientos de limpieza contra defectos de material y mano de obra durante el uso normal residencial, durante tres años a partir de la fecha de instalación del producto. Esta garantía se aplica solamente a inodoros inteligentes y asientos de limpieza instalados en Estados Unidos de América, Canadá y México ("Norteamérica").

Si se encuentra un defecto durante el uso residencial normal, Kohler Co., a su criterio, reparará, proveerá una pieza de repuesto o un producto, o realizará los ajustes pertinentes en los casos en que la inspección realizada por Kohler Co. determine dicho defecto. Esta garantía no cubre daños causados por accidente, abuso o uso indebido. El cuidado y la limpieza indebidos anulan la garantía*. Al presentar las reclamaciones de garantía a Kohler Co. es necesario incluir el comprobante de compra (recibo de venta original). Kohler Co. no se

Garantía (cont.)

hace responsable de costos de mano de obra, instalación u otros costos incidentales o indirectos, aparte de los mencionados arriba. En ningún caso deberá la responsabilidad de Kohler Co. exceder el precio de compra del inodoro inteligente o del asiento de limpieza eléctrico.

Si los inodoros inteligentes o los asientos de limpieza eléctricos se utilizan comercialmente o si se instalan fuera del territorio de Norteamérica, Kohler Co. garantiza que el inodoro inteligente y que el asiento de limpieza eléctrico estarán libres de defectos de material y de mano de obra durante un (1) año a partir de la fecha de instalación del producto, quedando en efecto el resto de las condiciones de esta garantía a excepción de la duración.

Si usted considera que tiene una reclamación en virtud de la garantía, comuníquese con su centro de remodelación, distribuidor, contratista de plomería o distribuidor por Internet. Asegúrese de proporcionar toda la información pertinente a su reclamación, incluida una descripción completa del problema, el producto, el número de modelo, la fecha de compra del producto, el lugar de compra del producto, y la fecha de instalación. También incluya el recibo original. Para obtener información adicional, o para el nombre y la dirección del lugar de reparación y servicio más cercano a usted, escriba a Kohler Co., Atención: Customer Care Center, Kohler, Wisconsin 53044 USA, o llame al 1-800-4-KOHLER (1-800-456-4537) desde los EE.UU. y Canadá, y al 001-800-456-4537 desde México, o visite www.kohler.com desde los EE.UU., www.ca.kohler.com desde Canadá, o www.mx.kohler.com en México.

LAS GARANTÍAS ANTERIORMENTE MENCIONADAS SUSTITUYEN A TODAS LAS DEMÁS GARANTÍAS, EXPRESAS O IMPLÍCITAS, INCLUIDAS, ENTRE OTRAS, LAS GARANTÍAS IMPLÍCITAS DE COMERCIALIZACIÓN E IDONEIDAD PARA UN USO DETERMINADO. KOHLER CO. Y/O EL VENDEDOR DESCARGAN TODA RESPONSABILIDAD POR CONCEPTO DE DAÑOS PARTICULARES, INCIDENTALES O INDIRECTOS.

Algunos estados/algunas provincias no permiten limitaciones en cuanto a la duración de una garantía implícita o a la exclusión o limitación de dichos daños, por lo que es posible que estas limitaciones y exclusiones no se apliquen a su caso. Esta garantía otorga al consumidor ciertos derechos legales específicos. Además, usted puede tener otros derechos que varían de estado a estado y de provincia a provincia. Esta garantía está destinada únicamente para el comprador consumidor original y excluye todo daño al producto como resultado de errores de instalación, abuso del producto o uso indebido del mismo, bien sea por parte de un contratista, de una compañía de servicios o del consumidor mismo.

Garantía (cont.)

Esta es la garantía exclusiva por escrito de Kohler Co.

*Nunca utilice limpiadores que contengan abrasivos, amoníaco, blanqueador, ácidos, ceras, alcohol, disolventes u otros productos no recomendados para acero inoxidable o para plástico de polipropileno. Esto anula la garantía.

USA/Canada: 1-800-4KOHLER

México: 001-800-456-4537

kohler.com

THE BOLD LOOK
OF **KOHLER**®

©2016 Kohler Co.

1194356-5-E