

**Features**

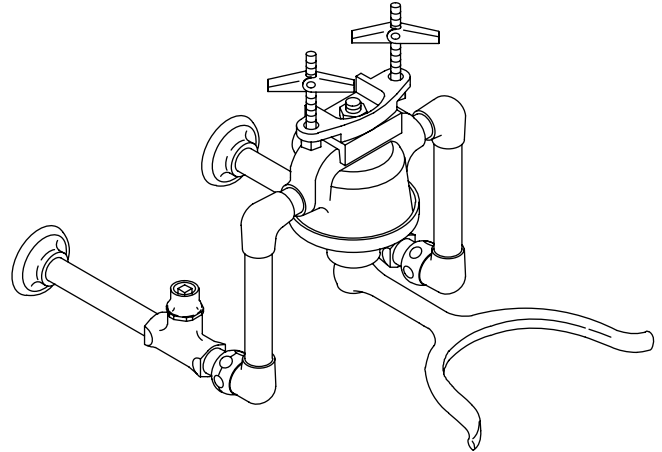
- Brass construction
- Niedecken mixer
- Stirrup handle
- Loose key stops
- Wall flanges
- NPT connections

**Codes/Standards Applicable**

Specified model meets or exceeds the following:

- ASME A112.18.1/CSA B125.1

**KNEE CONTROL FITTING  
K-13715**



**Colors/Finishes**

- CP: Polished Chrome

**Specified Model**

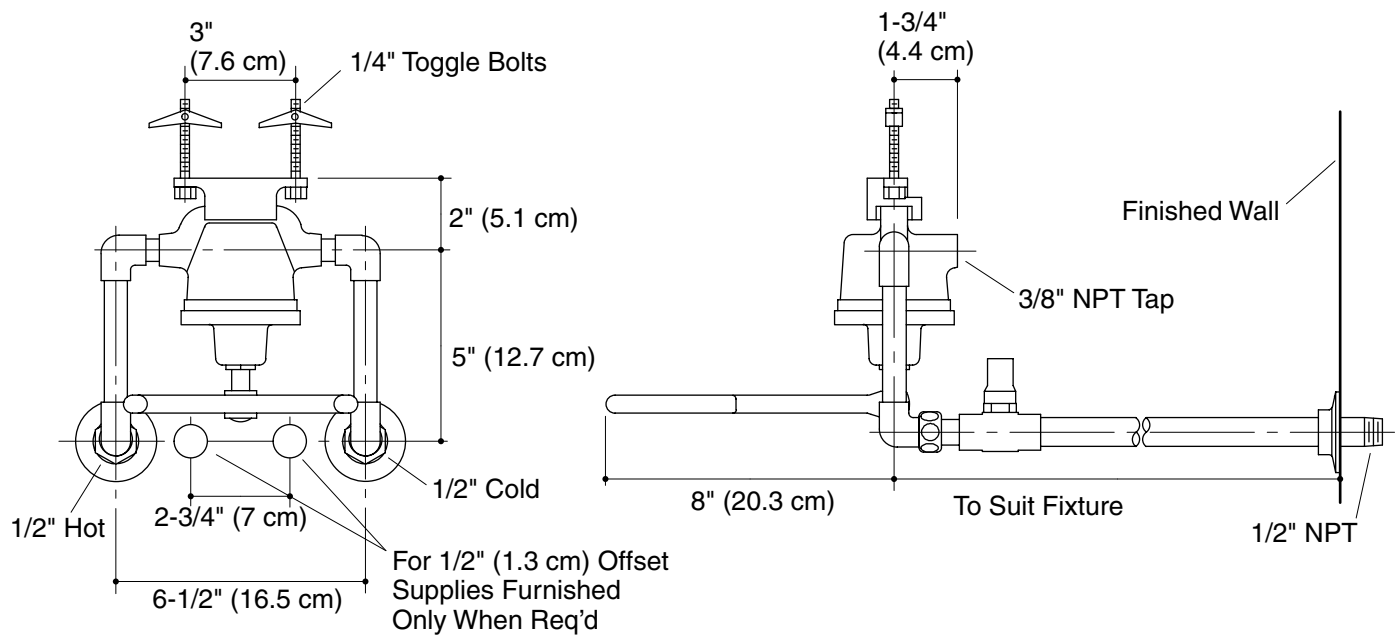
Model	For Fixture Similar To	Size	Colors/Finishes
K-13715-A	K-12643	20" (50.8 cm) x 18" (45.7 cm)	<input type="checkbox"/> CP
K-13715-B	K-12644	24" (61 cm) x 20" (50.8 cm)	<input type="checkbox"/> CP
	K-2053	20" (50.8 cm) x 18" (45.7 cm)	
K-13715-C	K-12793	28" (71.1 cm) x 22" (55.9 cm)	<input type="checkbox"/> CP
K-13715-D	K-12784	24" (61 cm) x 22" (55.9 cm)	<input type="checkbox"/> CP
	K-12781	30" (76.2 cm) x 22" (55.9 cm)	

**Product Specification**

Fixture-mount knee control fitting shall be of brass construction. Product shall feature a Niedecken mixer, stirrup handle, loose key stops, NPT connections, and wall flanges. Product shall be Kohler Model K-13715-\_\_\_\_\_-CP.

## Installation Notes

Install this product according to the installation guide.



## Product Diagram