

PURPOSE

To replace the diverter assembly.

Locate and follow the instructions for your specific spout type.

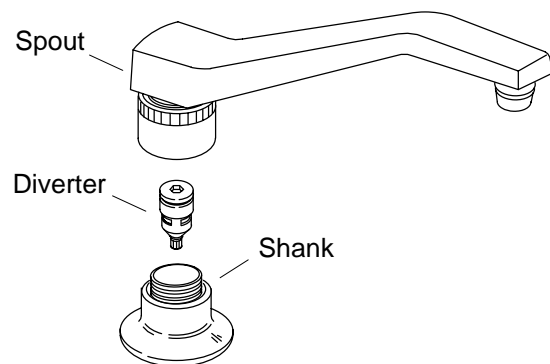
STANDARD SWING SPOUTS

Turn off the water supply.

Turn the knurled portion of the spout locknut counterclockwise to remove the spout. Unthread the diverter unit. Install the replacement diverter unit. Do not overtighten.

Thread the spout onto the shank.

Turn on the water supply and check for leaks.



ARCHED SWING SPOUTS

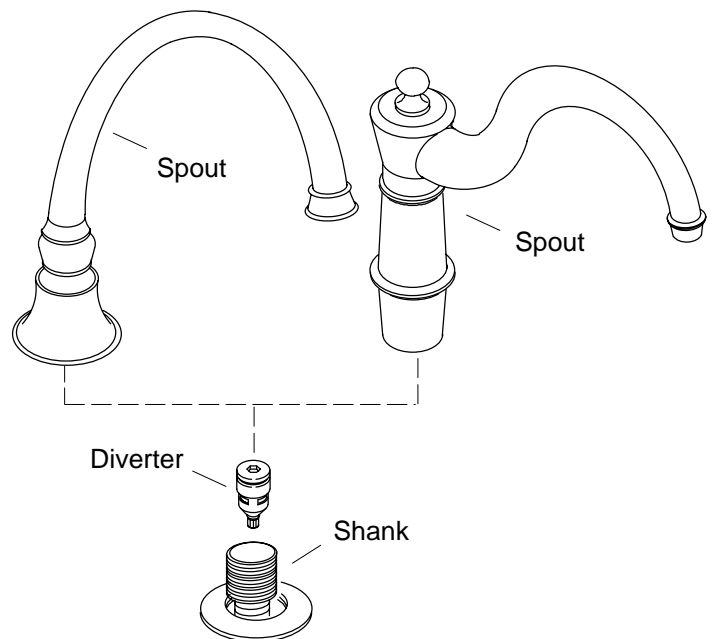
Turn off the water supply.

Hold the shank firmly from under the sink, and turn the spout counterclockwise to unthread from the shank. Unthread the diverter unit. Install the replacement diverter unit. Do not overtighten.

Loosen the nut and washer on the shank from under the sink. Thread the spout onto the shank until hand tight. Loosen the spout assembly 1/8-turn to allow the spout to swivel without binding.

Tighten the nut and washer to secure the shank to the sink.

Turn on the water supply and check for leaks.



AVATAR

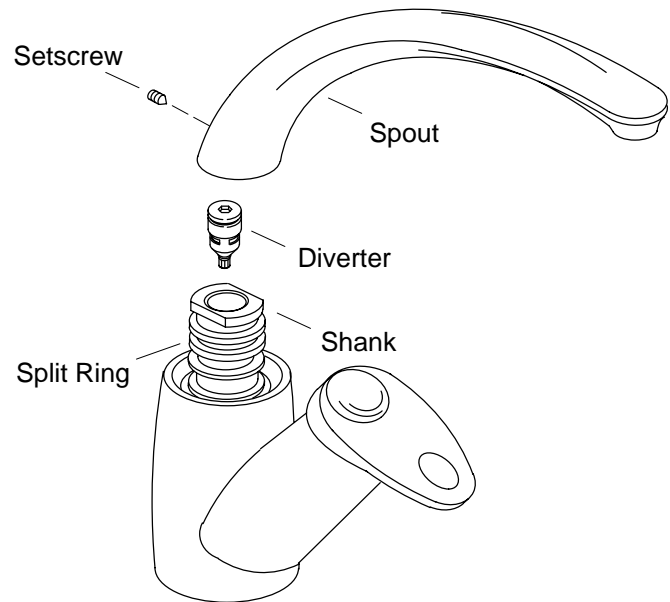
Turn off the water supply.

Lift the faucet handle to relieve the water pressure.

Remove the setscrew and spout. Unthread the diverter unit. Install the replacement diverter unit. Do not overtighten.

Reattach the spout, aligning the setscrew hole with the depression in the split ring. Thread the setscrew into the spout until hand tight. Loosen the setscrew 1/4 turn to allow the spout to swivel without binding.

Turn on the water supply and check for leaks.



MULTI-SWIVEL SPOUTS

Turn off the water supply.

Unthread the spout and post. Unthread the diverter unit. Install the replacement diverter unit. Do not overtighten.

Thread the post and spout onto the shank.

Turn on the water supply and check for leaks.

