

**WIDESPREAD BATHROOM SINK
FAUCET
K-10086**



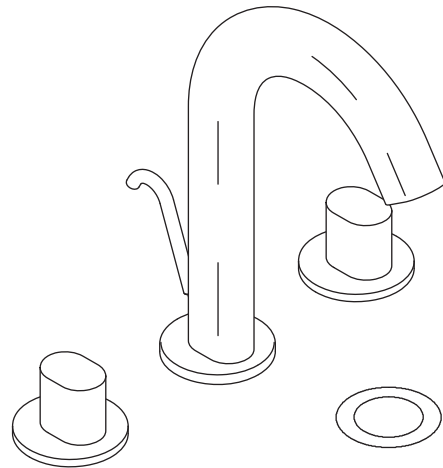
Features

- Metal construction
- Brass valve bodies
- Quarter-turn washerless ceramic disc valves
- Flexible connections for easy installation
- Pop-up drain with lift rod and tailpiece
- Oval handles
- Stationary spout
- For 8" (203 mm) or 16" (406 mm) centers
- 5-7/16" (138 mm) spout reach
- 1.5 gallons (5.7 liters) per minute maximum flow rate

Codes/Standards Applicable

Specified model meets or exceeds the following at date of manufacture:

- ASME A112.18.1/CSA B125.1
- NSF 61
- All applicable US Federal and State material regulations
- EPA WaterSense®



Colors/Finishes

- CP: Polished Chrome
- Other: Refer to Price Book for additional colors/finishes

Accessories

- NA: None applicable

Specified Model

Model	Description	Colors/Finishes	
K-10086-9	Widespread bathroom sink faucet	<input type="checkbox"/> CP	<input type="checkbox"/> Other ____

Optional Accessories		
_____	Additional flow options are available (refer to the Kohler Price Book)	<input type="checkbox"/> NA

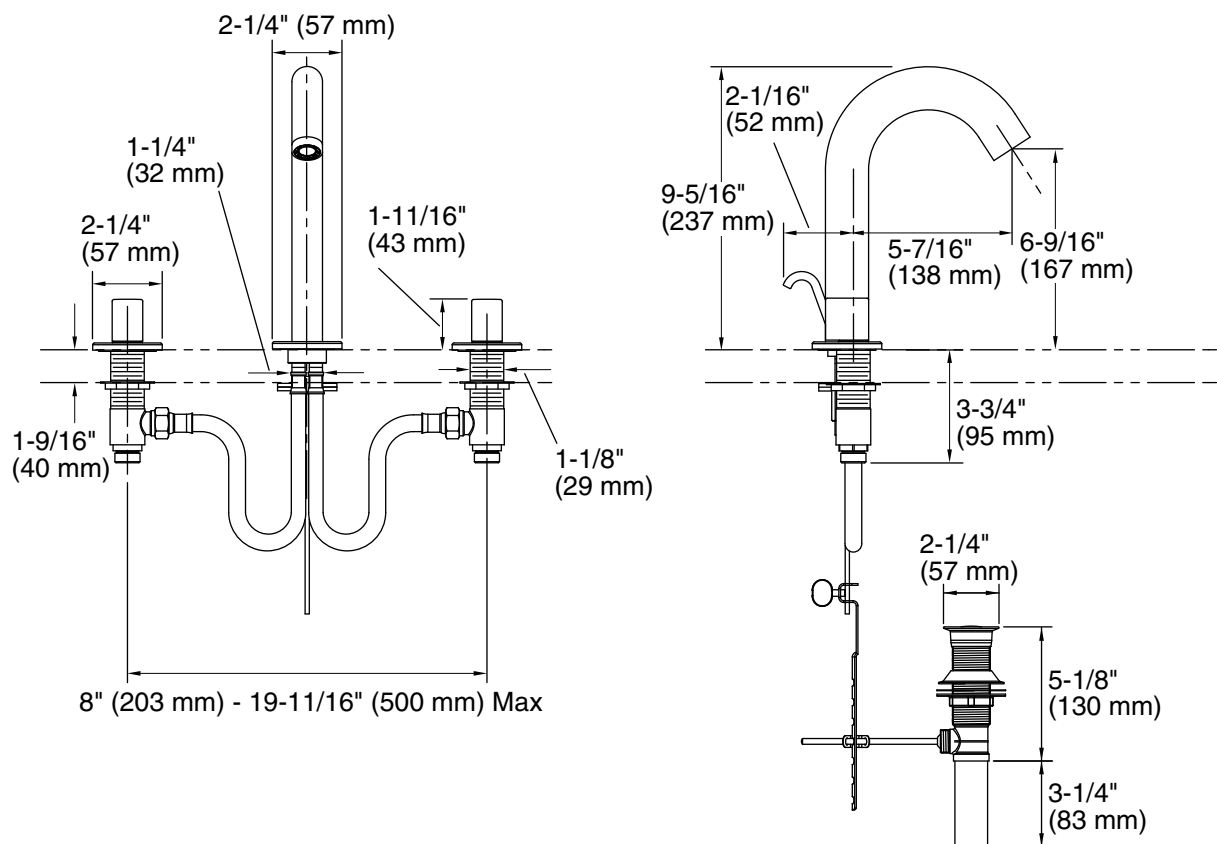
Product Specification

The two-handle widespread bathroom sink faucet shall be of brass construction with brass valve bodies. Product shall have a maximum flow rate of 1.5 gallons (5.7 liters) per minute. Product shall feature quarter-turn washerless ceramic disc valves, flexible connections for easy installation, stationary spout, and a 5-7/16" (13.8 mm) spout reach. Product shall be for 8" (203 mm) or 16" (406 mm) centers. Product shall feature a pop-up drain with lift rod and tailpiece and oval handles. Faucet shall be Kohler Model K-10086-9-_____.

OBLO®

Installation Notes

Install this product according to the installation guide.



Product Diagram