

COMFORT HEIGHT® TOILET K-3517

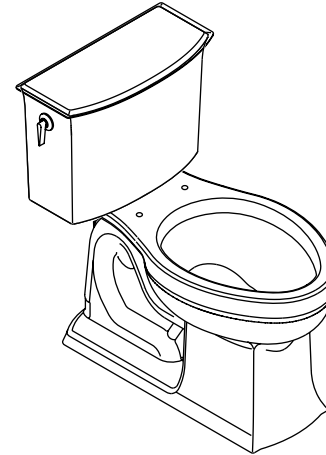
ADA

CSA B651

OBC

Features

- Vitreous china
- Elongated bowl
- Comfort Height®
- Class Five® flushing system
- Polished chrome trip lever
- Less seat and supply
- 12" (305 mm) rough-in
- 1.6 gpf (6 lpf) or 1.28 gpf (4.8 lpf)
- 2-1/8" (54 mm) glazed trapway
- 12-1/4" (311 mm) x 9" (229 mm) water area
- 29" (737 mm) x 17-7/8" (454 mm) x 30" (762 mm)



Codes/Standards Applicable

Specified model meets or exceeds the following:

- ADA
- ICC/ANSI A117.1
- CSA B651
- OBC
- ASME A112.19.2/CSA B45.1

Colors/Finishes

- 0: White
- Other: Refer to Price Book for additional colors/finishes

Accessories

- 0: White
- CP: Polished Chrome
- PB: Vibrant® Polished Brass
- Other: Refer to Price Book for additional colors/finishes

Specified Model

Model	Description	Trip Lever	Colors/Finishes	
K-3517	Comfort Height toilet	left-hand	<input type="checkbox"/> 0	<input type="checkbox"/> Other_____
Recommended Accessories				
K-4664	Brevia™ seat with cover	<input type="checkbox"/> 0		<input type="checkbox"/> Other_____
K-7637	3/8" NPT angle supply with stop		<input type="checkbox"/> CP	<input type="checkbox"/> PB <input type="checkbox"/> Other_____
Optional Accessories				
K-4650	Lustra™ elongated open-front toilet seat – for Accessibility compliance	<input type="checkbox"/> 0		<input type="checkbox"/> Other_____
K-11069	Left-hand trip lever (non-CP)		<input type="checkbox"/> PB	<input type="checkbox"/> Other_____

Product Specification

The elongated toilet combination shall be made of vitreous china. Toilet shall be 29" (737 mm) in length, 17-7/8" (454 mm) in width, and 30" (762 mm) in height with a 12-1/4" (311 mm) x 9" (229 mm) water area. Toilet shall be Comfort Height. Toilet shall be 12" (305 mm) rough-in, and 2-1/8" (54 mm) glazed trapway. Toilet shall include polished chrome trip lever. Toilet shall feature a flush rate of 1.6 gpf (6 lpf) or 1.28 gpf (4.85 lpf) with Class Five system. Toilet shall be less seat and supply. The toilet shall be Kohler Model K-3517-_____.

ARCHER®

Technical Information

Fixture:	
Configuration	two-piece, elongated
Flow rate	1.6 gpf (6 lpf) or 1.28 gpf (4.85 lpf)
Passageway	2-1/8" (54 mm)
Water area	12-1/4" (311 mm) x 9" (229 mm)
Water depth from rim	6" (152 mm)
Seat post hole centers	5-1/2" (140 mm)
Included components:	
Bowl	K-4295
Tank	K-4493
Tank cover	1046467
Trip lever	1067186
Tank accessory pack	1016548
Bolt cap accessory pack	1013092

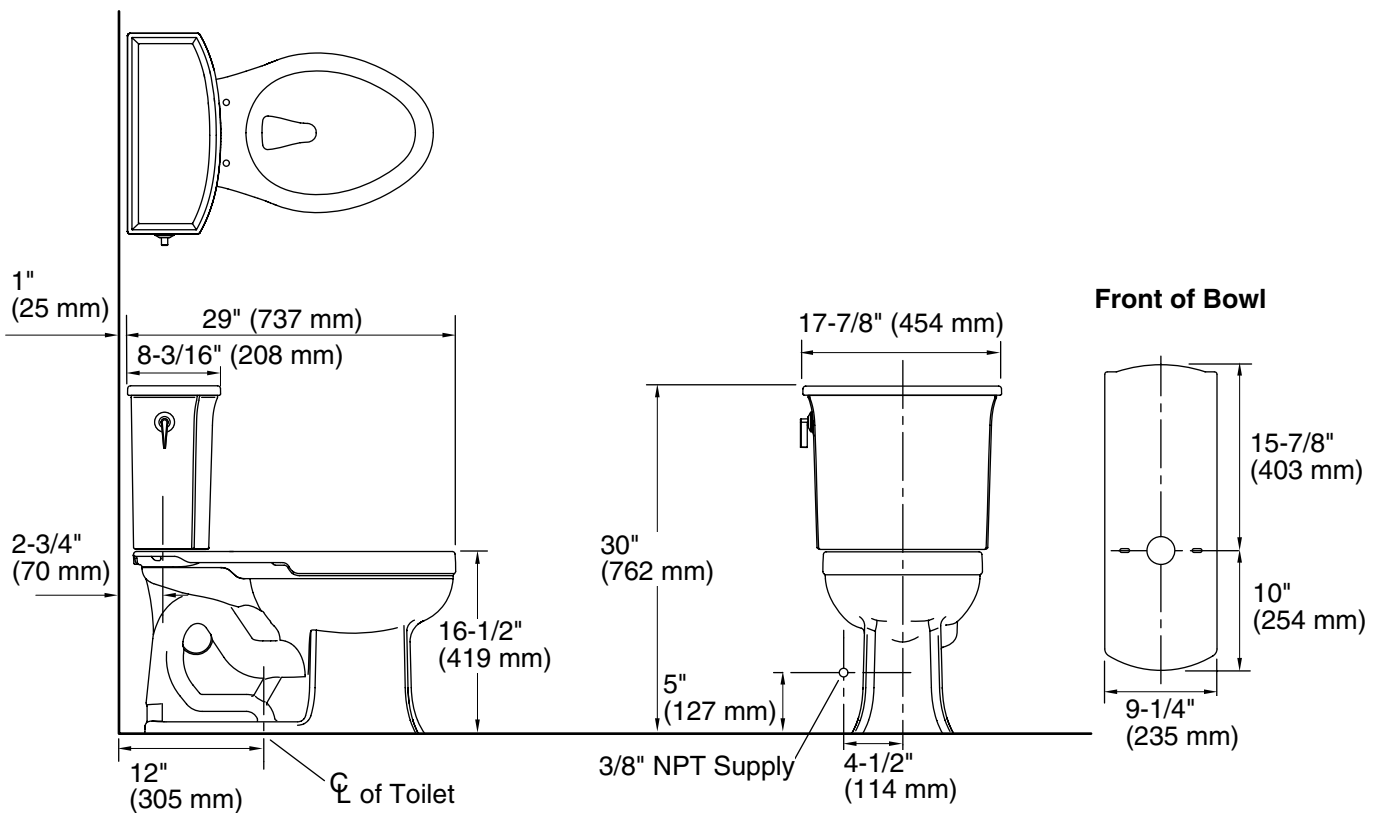
Installation Notes

Install this product according to the installation guide.

Will comply with the American Disabilities Act (**ADA**) when installed per the requirements of the Accessibility Guidelines, Section 604 Water Closets, of the Act. The Model Plumbing Codes require the installation of elongated open-front toilet seats in public bathrooms.

Will comply with **CSA B651** when installed per Clause 4.3.6 of the standard.

Will comply with **OBC** Barrier Free requirements when installed per Clause 3.8.3.8 and 3.8.3.9.



Product Diagram