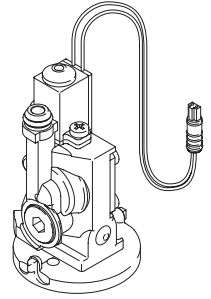


1031337  
1047235



### 1. Remove the Faucet

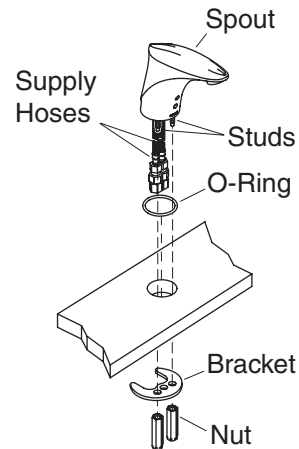
- Turn off the water supplies.
- Disconnect the supply hoses from the filter assemblies.

#### For Models Without Escutcheon:

- Unthread the nuts from the studs and remove the bracket.
- Lift the faucet from the mounting hole.
- Set the bracket and nuts aside.

#### For Models With Escutcheon:

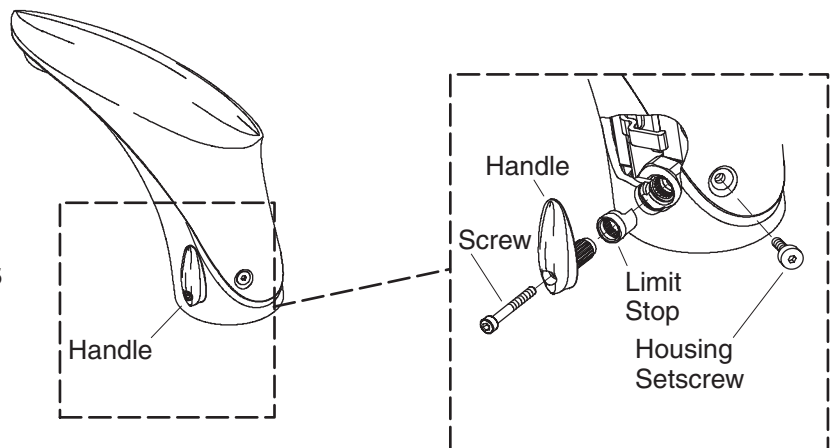
**NOTE:** The escutcheon does not need to be removed and may remain installed to the faucet deck.



### 2. Remove the Spout

**NOTE:** The faucet illustrated may look different than your actual product. These instructions apply to all products that use this kit.

- If applicable, disconnect the AC power supply.
- Remove the housing setscrew from the back of the faucet housing using a 2.5 mm hex wrench.
- If applicable, remove the handle. Use a 2.5 mm hex wrench to remove the handle screw.
- Carefully pull up on the spout to separate it from the valve assembly.

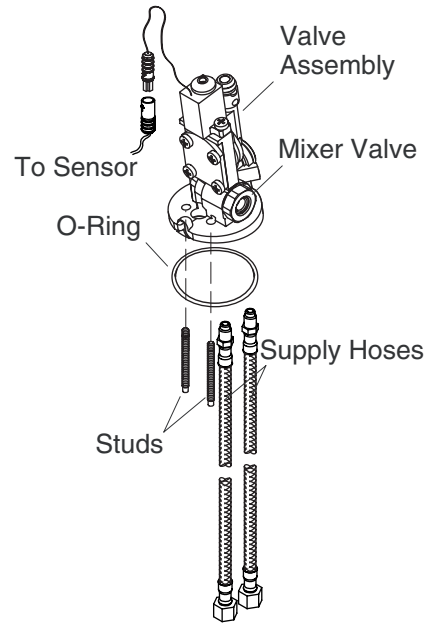


### 3. Remove the Existing Valve Assembly

- Disconnect the sensor from the valve assembly.
- Remove the hoses and studs from the bottom of the valve assembly.

### 4. Install the New Valve Assembly

- Attach the hose(s) to the new valve assembly.
- Thread the studs into the bottom of the new valve assembly.



### 5. Reinstall the Spout

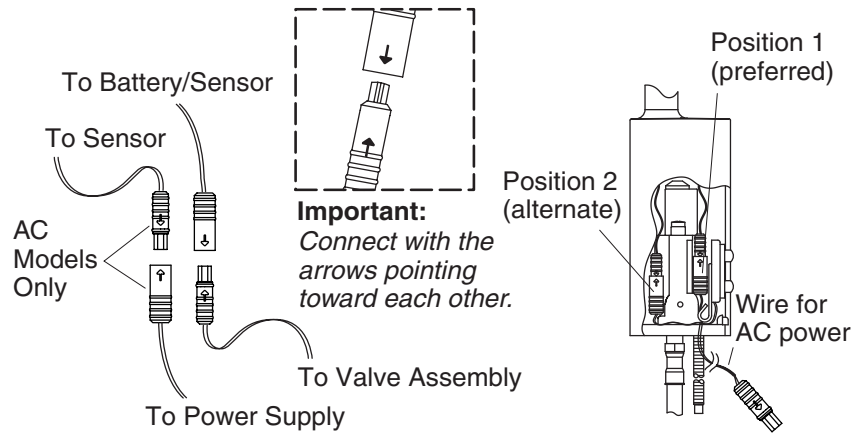
#### For AC Models Only:

- Run the AC power cord through the front hole in the faucet valve to the underside of the deck.

**IMPORTANT!** Connect the connectors with the arrows pointing directly toward each other.

- Reconnect the sensor connector to the valve connector.

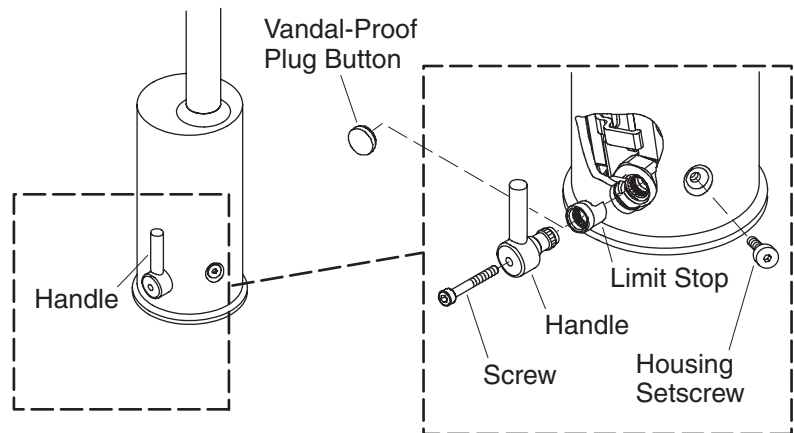
**NOTE:** Position 1 is the preferred installation location for the connectors. Position 2 may also be used as an alternate installation location. Refer to the illustration.



- Position the valve assembly/battery sensor in one of the connector positions illustrated above. If applicable, position the connection tight to the battery clip.

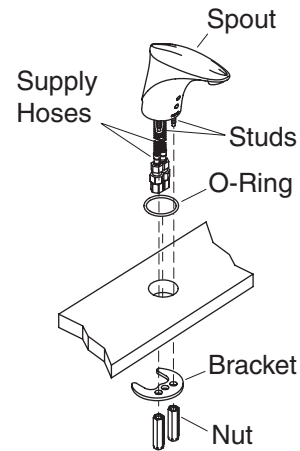
**IMPORTANT!** Verify that all the wires are inside the faucet body so they are not pinched while installing the valve assembly.

- Line up the front of the spout with the pin at the bottom front of the valve assembly.
- Slide the faucet spout over the valve assembly.
- Reinstall the housing setscrew and handle.



## 6. Reinstall the Faucet

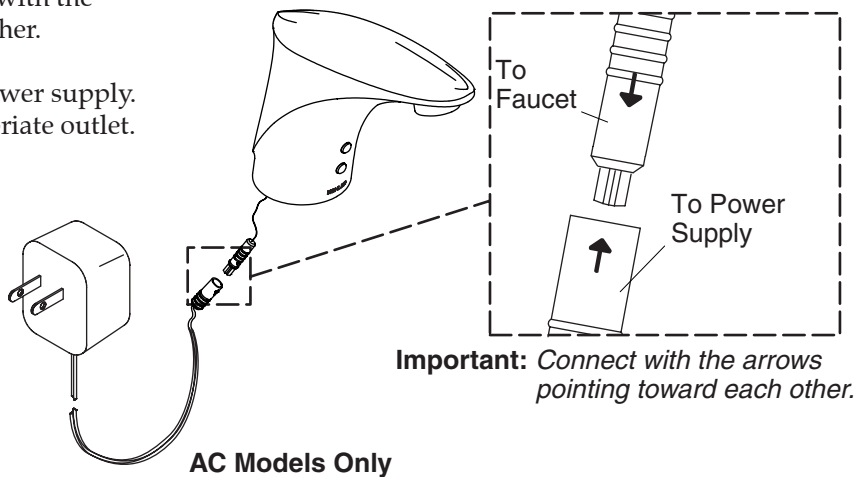
- Slide the O-ring over the flex hoses and studs, and attach it to the groove in the base of the spout.
- Run the flex hose and studs through the mounting hole from above.
- Slide the bracket onto the stud(s). If a single stud configuration is being used, slide the stud through the middle hole in the bracket.
- Thread the supplied nut(s) onto the faucet stud(s).



## 7. Connect the Power

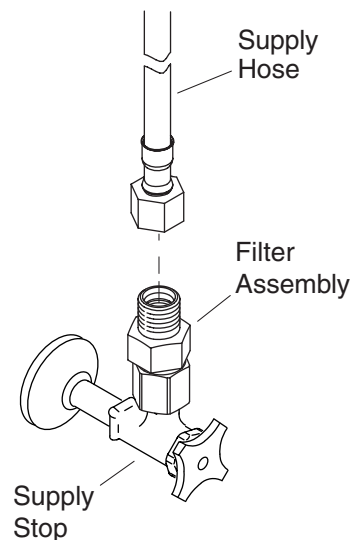
**IMPORTANT!** Connect the connectors with the arrows pointing directly toward each other.

- Connect the valve cord to the AC power supply.
- Plug the power cord into the appropriate outlet.



## 8. Connect the Water Supply

- Connect the supply hoses to the filter assembly.



## 9. Installation Checkout

- Turn on the water supply to the faucet.
- Check for leaks with and without the faucet running.
- Refer to your Homeowners Guide for troubleshooting information.
- For adjusting the maximum temperature limit, refer to the "Optional Temperature Limiting Adjustment" section.

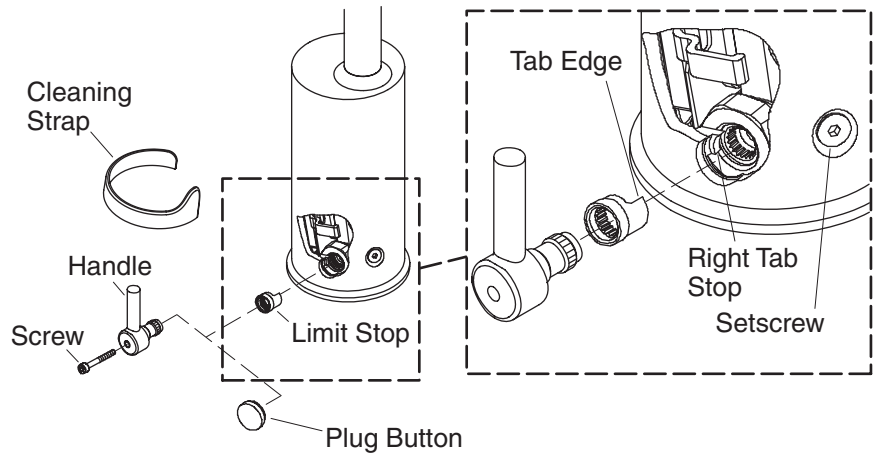
### Optional Temperature Limiting Adjustment

**CAUTION: Risk of personal injury.**  
Scalding may result if the limit stop is not reinstalled properly.

**NOTE:** The water temperature does not need to be adjusted if the water temperature is below 105°F (41°C).

**NOTE:** Use a thermometer rated for 120°F (49°C) or greater.

**NOTE:** When using a tempered water supply, install the vandal-resistant plug button.



#### Adjust the Water Temperature Limit ó Handle Installations

- Turn on the water and adjust to the full hot position by turning the handle toward the back of the faucet until it stops.
- Determine the temperature using a thermometer. If the temperature exceeds 105°F (41°C), complete the following steps.
- Turn the handle until vertical.
- Attach the cleaning strap over the sensor.
- Remove the handle screw using the supplied 2.5 mm hex wrench.
- Remove the handle and the limit stop.
- Remove the limit stop from the handle splines.
- Rotate and reposition the limit stop on the handle splines. Rotating the limit stop clockwise toward the back of the faucet will decrease the maximum temperature limit. Each spline represents approximately 10°F (5°C) change in temperature.
- Reinstall the handle vertically with the limit stop in place. Do not secure the handle with the screw at this time.

### Contact Information

USA: 1-800-4-KOHLER

Canada: 1-800-964-5590

México: 001-877-680-1310

kohler.com

THE BOLD LOOK  
OF **KOHLER**

©2005 Kohler Co.