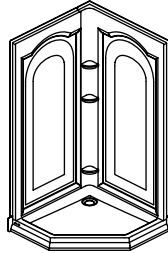


Installation Guide

Shower Walls and Receptor

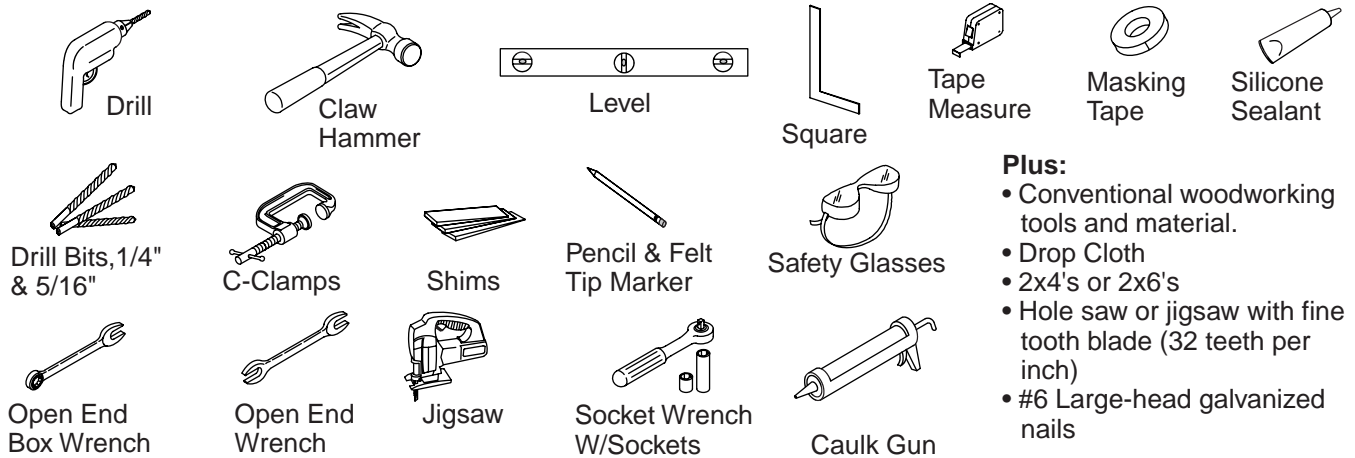
K-1018, K-9455



M product numbers are for Mexico (i.e. K-12345**M**)
Los números de productos seguidos de **M** corresponden a México
(Ej. K-12345**M**)
Français, page "Français-1"
Español, página "Español-1"

THE BOLD LOOK
OF **KOHLER**®

Tools and Materials



Thank You For Choosing Kohler Company

We appreciate your commitment to Kohler quality. Please take a few minutes to review this manual before you start installation. If you encounter any installation or performance problems, please don't hesitate to contact us. Our phone numbers and website are listed on the back cover. Thanks again for choosing Kohler Company.

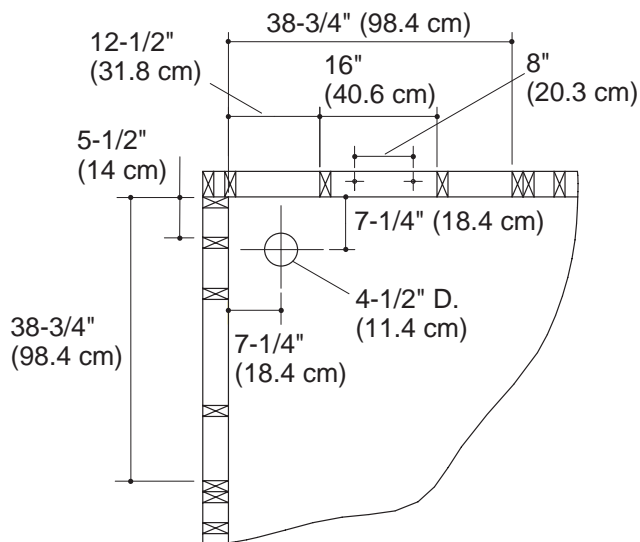
Before You Begin



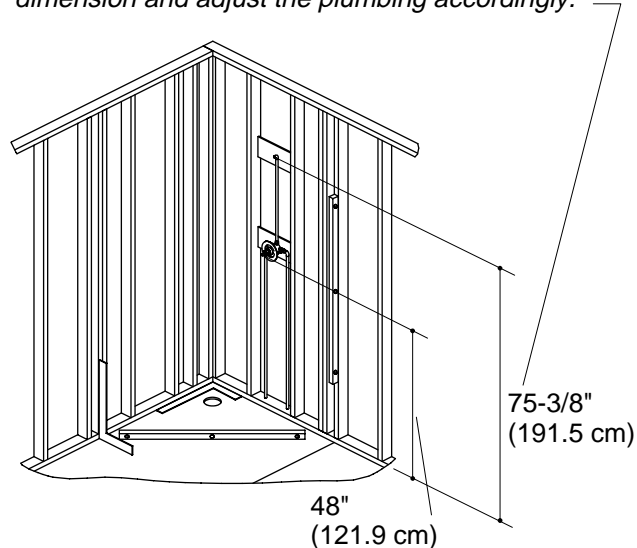
CAUTION: Risk of product damage. If extensive shimming is required, all dimensions must be checked and confirmed. Take extra care when creating centerlines and marking the valve hole and showerhead location.

- Read all instructions before you begin.
- There are two sets of instructions in this installation guide, the receptor and shower wall installation, and receptor only installation. Refer to the appropriate section.
- Before removing the old unit, inspect your Kohler shower walls and receptor for damage.
- Observe all local plumbing and building codes.
- If you are remodeling, measure the existing framework before removing the old fixture to ensure the new unit will fit. If needed add or move studs to create the proper stud configuration that is shown.
- To prevent damage, keep the shower components in a safe place until you begin the installation.
- Do not install the shower over open floor joists.
- Make sure there is sufficient access to move the module into the installation location.
- Avoid flexing the sidewalls to prevent damage to the module.
- Insulate all exterior walls before installation.
- If ceiling height allows, it is recommended that the showerhead be mounted above the shower wall.
- The Kohler Model K-704516 shower door must be used with this shower module.
- Consult all applicable instructions for accessories and shower doors before installing.
- Position the rough drain according to the roughing-in dimensions.
- Consult all applicable instructions for options and accessories before beginning this installation.

Note: The control should be centered between the studs. Adjustment of the control plumbing and location may be needed if the wall is not plumb.



This dimension is for mounting the showerhead in the top of the shower wall. If you are mounting the showerhead above the shower wall, disregard this dimension and adjust the plumbing accordingly.



1. Construct the Stud Framing

IMPORTANT! Refer to the shower door installation instructions for any special framing considerations.

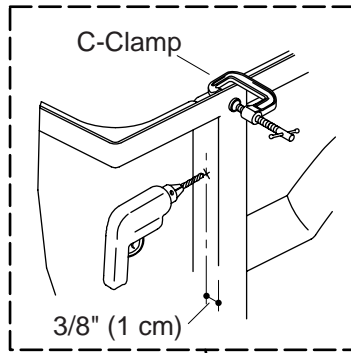
NOTE: Check the dimensions of the escutcheon included with the showerhead if applicable. If the diameter of the escutcheon exceeds 3" (7.6 cm), the shower arm should be mounted above the shower wall in an appropriate spot.

- Study the roughing-in and framing diagrams.
- Add any bridging or support needed if you are installing grab bars or towel bars. Refer to the accessory manufacturer's instructions.
- The plumbing may be installed on either wall. The supplied dimensions should be used on either wall.
- The showerhead may be installed in the shower wall or above the shower wall. Take into account the height of the shower users when determining the installation location. The dimension provided is for a shower wall installation only.
- If the unit is installed against a masonry wall, use furring strips to secure the unit. The furring strip configuration should match the stud configuration shown.

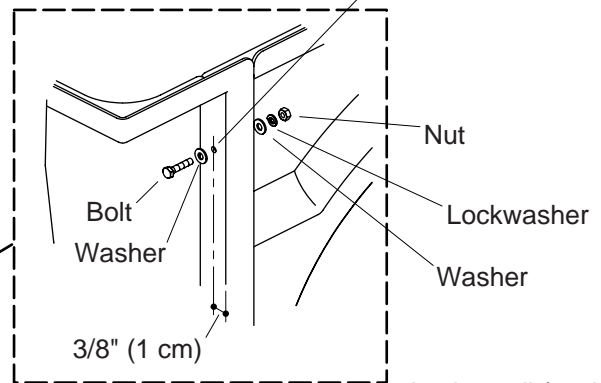
2. Install the Plumbing

- Locate the drain according to the dimensions shown above. Measure and cut the drain hole opening in the floor and install the rough drain lines.
- Install the rough plumbing at the dimensions shown above. The rough plumbing should be in place before the unit is installed.

Back Side Shown

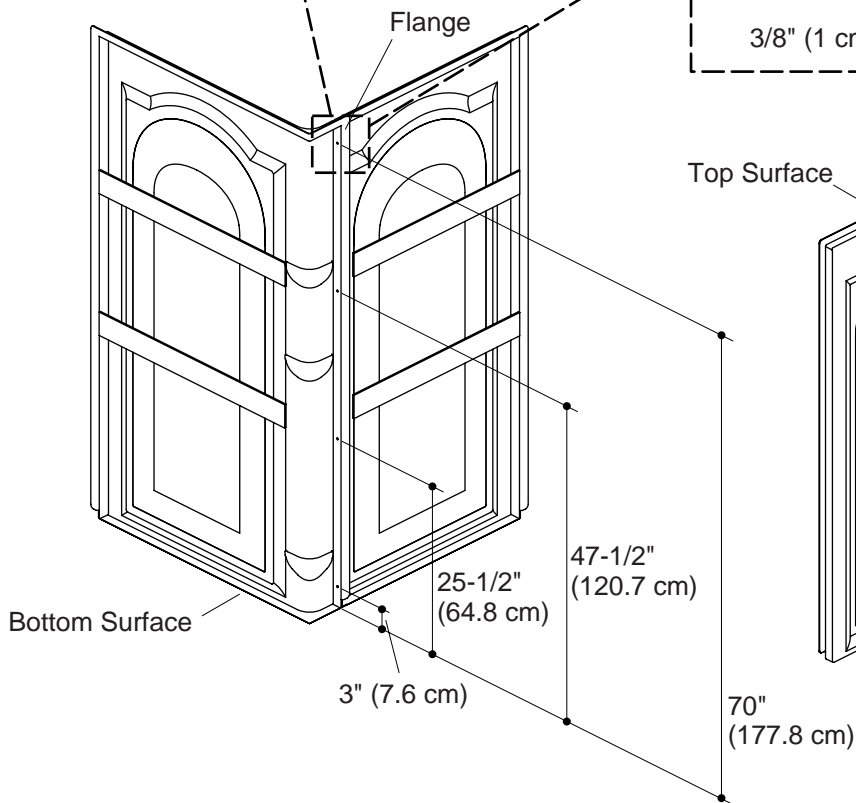


Back Side Shown



Drill holes at the four marked locations.

Apply caulk/sealant here.



Top Surface

Bottom Surface

25-1/2"
(64.8 cm)

47-1/2"
(120.7 cm)

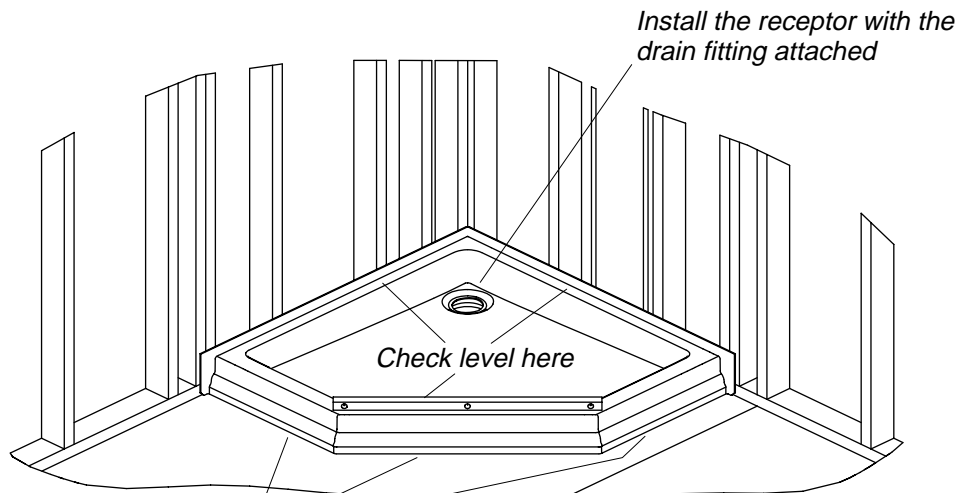
3"
(7.6 cm)

70"
(177.8 cm)

3. Assemble the Walls

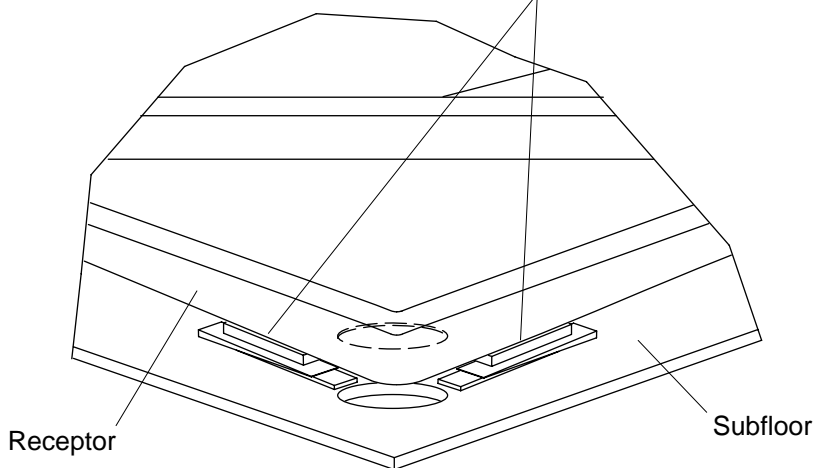
NOTE: Before proceeding, install the valving in the framing pocket.

- Position the walls upright on a clean, flat surface with the flanges mating as shown.
- Make sure the walls are both resting flat on the floor.
- Clamp the walls together at the top and bottom using C-clamps. Make sure the bottom surfaces are flush.
- Mark the location of the holes on the flange with a felt tip marker.
- Drill holes through both flanges with a 5/16" bit at each of the four marked locations.
- Remove the clamps and apply a **minimum** 1/4" (6 mm) bead of mildew-resistant clear 100% silicone sealant on one of the mating surfaces between the walls.
- Reposition the walls together and assemble the bolt, washers, and nut at each location.
- Wrench tighten. Do not overtighten.



Edge of receptor should sit flat on floor. Shim as required.

Leveling blocks/shims should be placed under the receptor if needed

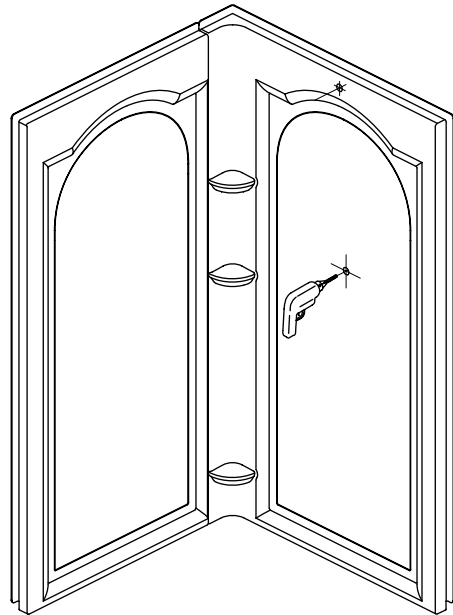


Back View of Receptor On A Subfloor

4. Prepare the Receptor

- Assemble and install the drain according to the manufacturer's instructions.
- Move the shower receptor into the framing pocket.
- Make sure the unit is level on all sides. If the unit is not level, shim as required to level the unit.
- Predrill the side and back nail-in flanges on the stud centers around the receptor. Do not nail the receptor in place at this time.

Note: If the showerhead trim ring is larger than 3" (7.6 cm), it is recommended that the showerhead be installed above the top edge of the shower unit if space allows.




Water Supply
Valve Hole


Pilot Hole

Cut the valve stem hole(s) from the front of the wall panel.

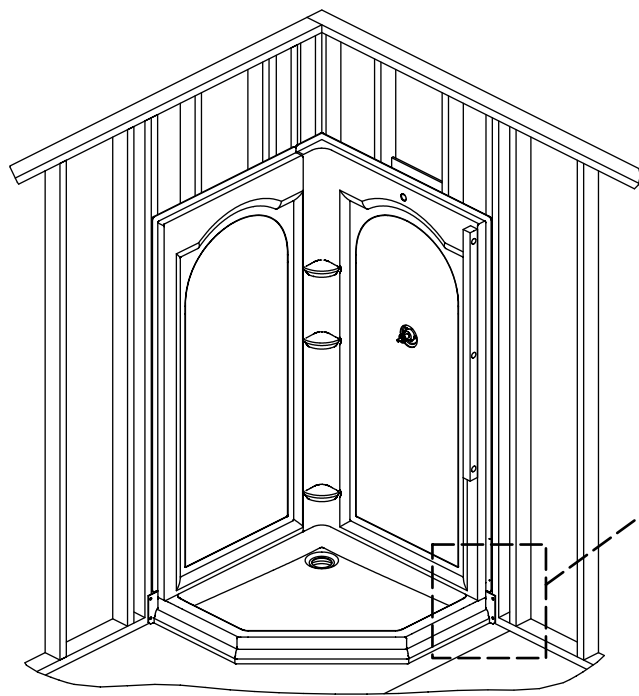
Note: When determining the valve cut-out location, measure the distance from the top ledge of the receptor.

5. Cut the Supply Holes

 **CAUTION: Risk of product damage.** Check and recheck the valve and showerhead locations before drilling. The hole(s) must be in the correct location.

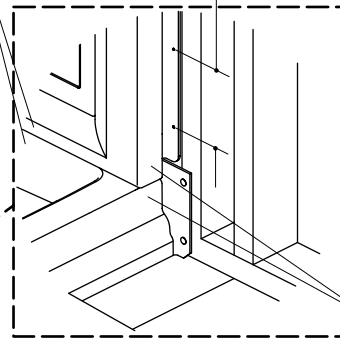
 **CAUTION: Risk of injury.** Wear safety glasses while cutting or drilling.

- Mark the center of the supply valve on the front side of the end wall. Determine the height according to the manufacturer's instructions.
- The holes should align with the rough plumbing dimensions from the "Construct the Stud Framing" section, and should be on the centerline of the wall panel at the correct distances from the floor.
- Refer to the valve manufacturer's instructions for proper hole size. Make sure the valve cover plate is large enough to cover the holes.
- Drill 1/4" (6 mm) diameter pilot holes at the marked locations on the appropriate shower wall.
- From the finished surface of the wall, cut the holes required for the valving. A hole saw is preferred, but if the correct size is not available it can be cut using a jig saw with a fine metal or plastic cutting blade.
- Protect the finished surface with masking tape before cutting.



Align these two surfaces on both walls.

8" (20.3 cm)

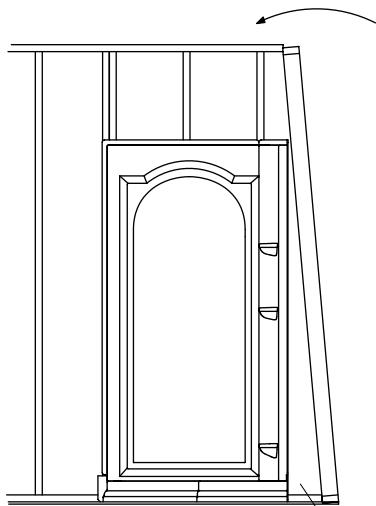


Align these vertical surfaces on both walls.

6. Pre-fit the Walls

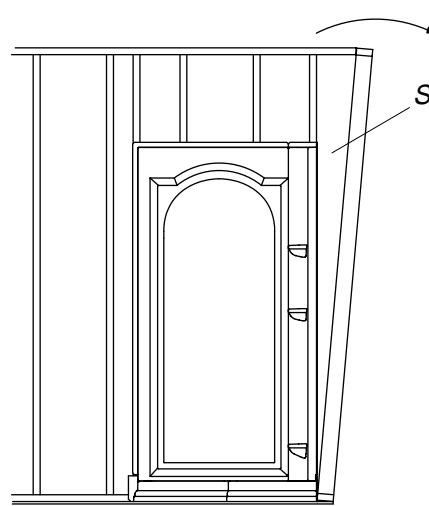
NOTE: The module must be plumb and level. The shower door will not install properly if the module is not plumb and level.

- Carefully move the wall assembly onto the receptor.
- Align the receptor and the walls.
- Check and align the walls for plumb and level.
- If walls are not plumb and level, go to the "Shimming Procedures" section.
- **Predrill** the nail-in flanges on the stud centers and around the walls on 8" (20.3 cm) centers. **Do not nail the walls in place at this time.**



Shim at each nail

Stud Wall Leaning Inward



Shim at each nail

Stud Wall Leaning Outward

Note: Position the shims so they are held in place by the fasteners whenever possible. Drill pilot holes through the shims to avoid splitting them when the fasteners are installed.

7. Shimming Procedures

- If either wall is not plumb, it will adversely effect the fit of the wall panels to the receptor and the fit of the shower door to the walls.
- If one or both of the stud pocket walls are leaning inward toward the receptor, the receptor will have to be moved away from the stud pocket until the walls sit plumb.
- If one or both of the stud pocket walls are leaning outward away from the receptor, you will have to shim between the nail-in flange of the wall and stud pocket until the shower wall is plumb.
- Depending on the severity of the out-of-plumb condition and the shimming required, you may have to move your drain pipe and/or rough plumbing to align with the receptor in its plumb condition.

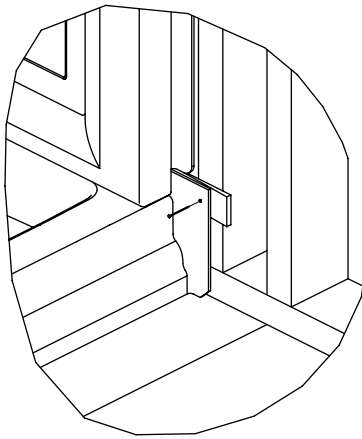


Figure 1

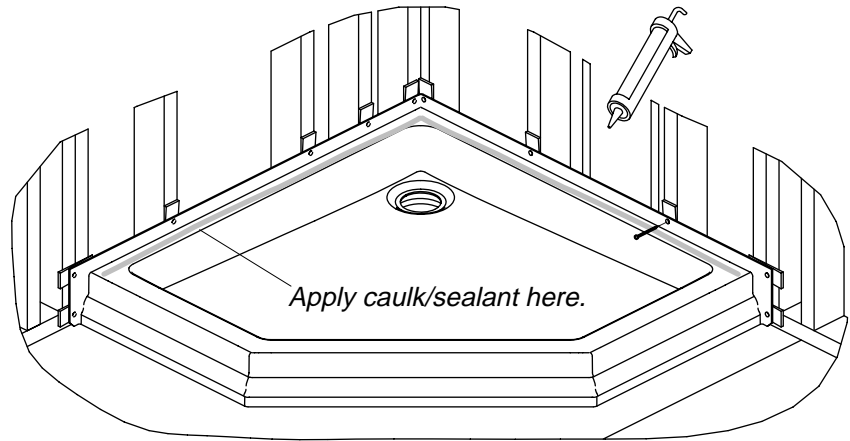


Figure 2

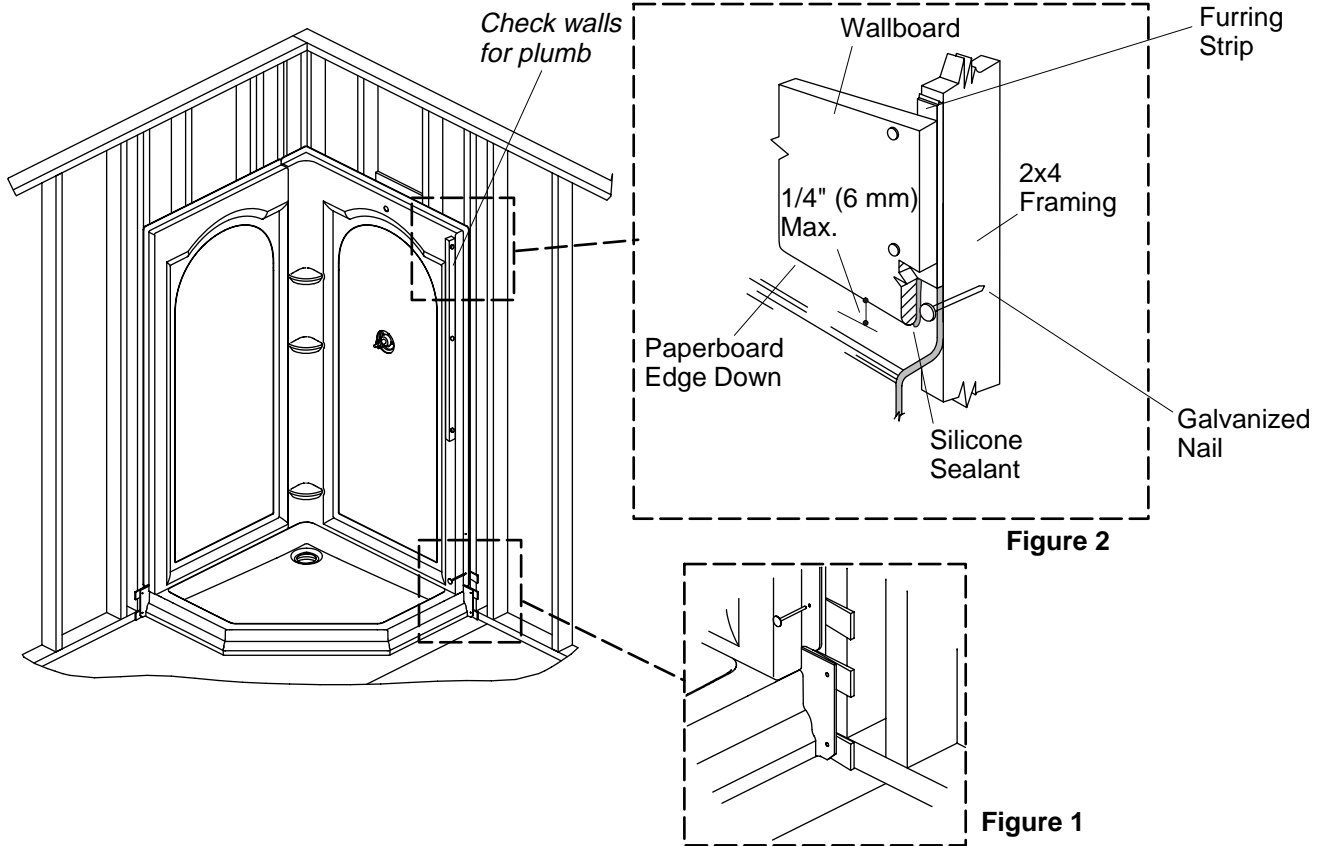
8. Secure the Receptor

NOTE: If the unit is shimmed, make sure the length of the fasteners is sufficient to span the shims and penetrate into the studs at least 1" (2.5 cm).

- Tack the corners of the receptor into place using #6 large-head galvanized nails (not supplied) to fasten the unit. (Figure 1)
- Carefully remove the walls.
- Shim the receptor as needed at each of the remaining wall studs and finish nailing the receptor into place in the predrilled holes. (Figure 2)

9. Caulk the Receptor

- Apply a 1/4" (6 mm) **minimum** bead of mildew resistant clear 100% silicone sealant around the receptor where the shower walls come in contact with the receptor.

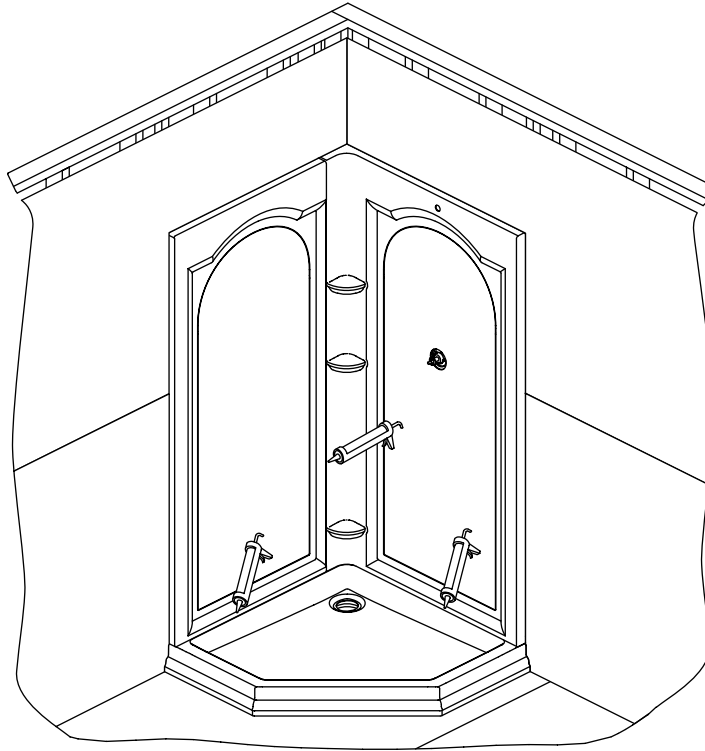


10. Secure the Walls

- Carefully move the wall assembly onto the receptor. Place the wall assembly directly onto the receptor to prevent scraping caulk off the joint.
- Check the walls for plumb
- Check the alignment of the receptor walls as described in the "Pre-fit the Shower Walls" section.
- Shim the walls as necessary at each predrilled hole location.
- Fasten the walls into place using #6 large-head galvanized nails. Start from the outside edge and work around each wall toward the corner. Make sure the bottom of the walls do not raise up off the receptor. (Figure 1)

11. Install the Finished Wall

- Attach furring strips to the studs to ensure the wallboard installation is true and level. (Figure 2)
- Apply mildew resistant clear 100% silicone sealant to the nailing-in flange.
- Install the wallboard with the factory edge (the paperbound edge) a maximum of 1/4" (6 mm) above the finished, concave surface of the walls.
- The front nailing-in flanges should be similarly furred, and the wallboard sealed to the nailing-in flange. Mud, tape, and finish the wallboard.

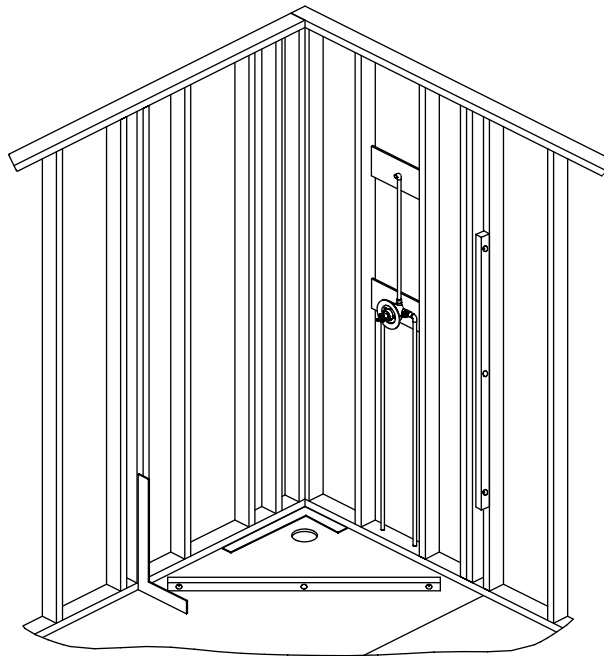


12. Complete the Installation

- Caulk the joints between the receptor and the walls along with the vertical joint between the two walls.
- Allow to dry according to the sealant manufacturer's instructions.
- Install any extra grab bars or towel bars to the bridging that was installed earlier. Follow the accessory manufacturer's instructions.
- Install the shower door according to the manufacturer's instructions.

13. Clean-Up

- Consult the care and cleaning directions in the Homeowners Guide before cleaning the unit.
- When cleaning up after installation, do not use abrasive cleansers, as they might scratch and dull the product surface.
- Remove stubborn stains, paint, or tar with turpentine or paint thinner.
- Do not allow cleaners containing petroleum distillates to remain in contact with the product surfaces for any length of time.
- Remove plaster by scraping the surface with a wood edge. Do not use metal or wire tools. Use a powder type detergent on a damp cloth to provide mild abrasive action to the residual plaster.



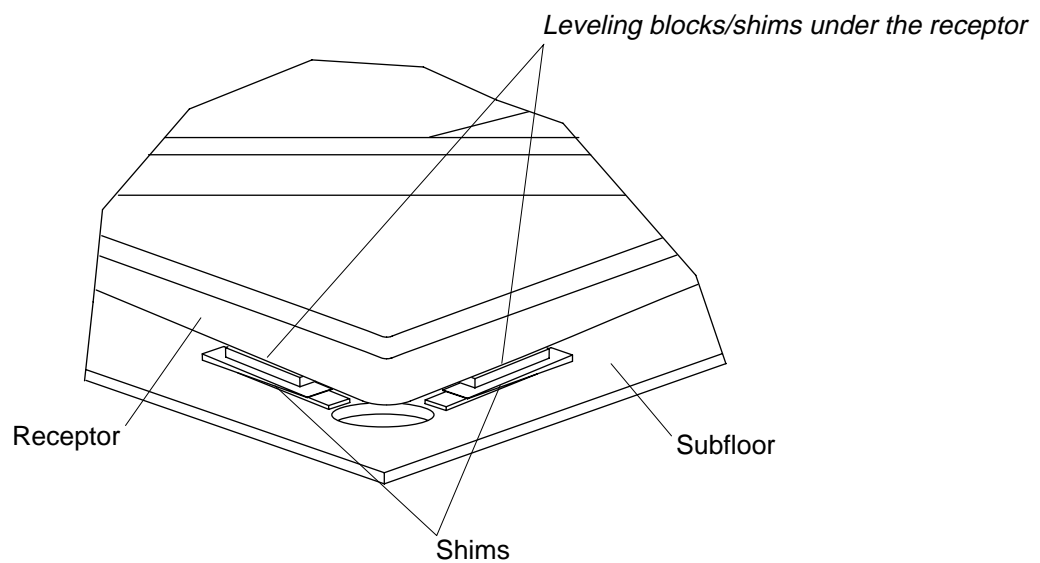
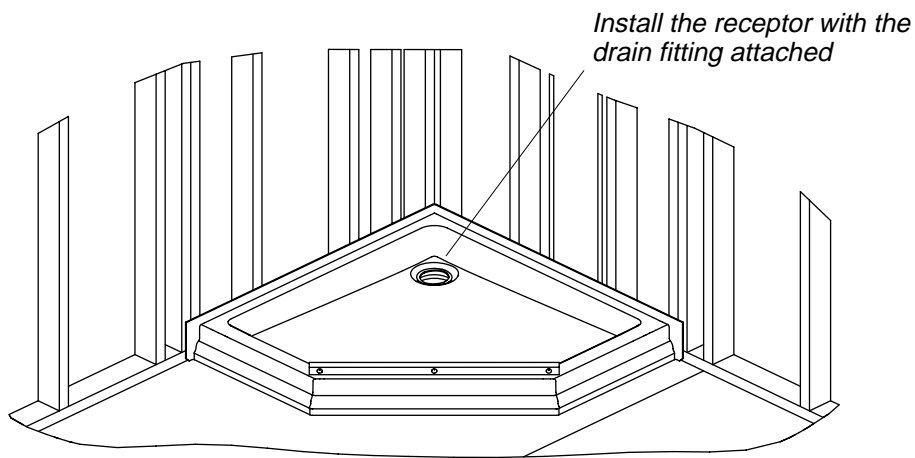
14. Receptor Only Installation - Construct the Stud Framing

IMPORTANT! Refer to the shower door installation instructions for any special framing considerations.

- Study the roughing-in and framing diagrams.

15. Install the Plumbing

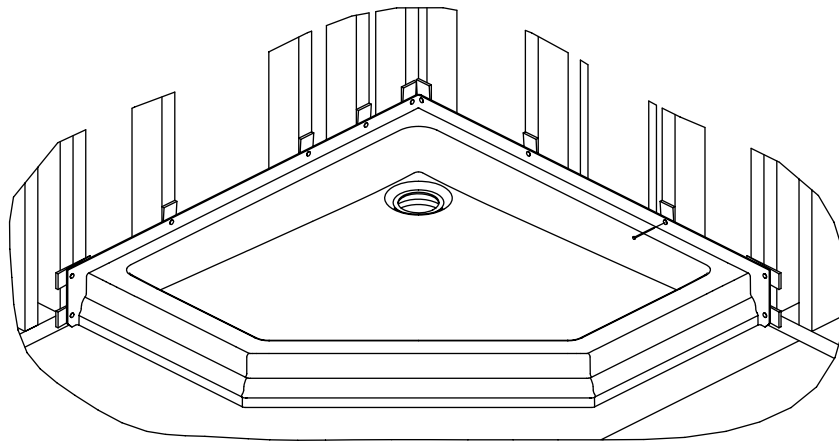
- Locate the drain according to the manufacturer's instructions. Measure and cut the drain hole opening in the floor and install the rough drain lines.
- The rough plumbing should be in place before the unit is installed.



Back View of the Receptor on a Subfloor

16. Install the Receptor

- Assemble and install the drain according to the manufacturer's instructions.
- Move the shower receptor into the framing pocket.
- Make sure the unit is level on all three sides. If the unit is not level, the back of the base will need to be shimmed as required to level the unit.
- Predrill the side and back nail-in flanges on the stud centers around the receptor. Do not nail the receptor in place at this time.



17. Secure the Receptor to the Stud Framing

NOTE: If the unit is shimmed, make sure the length of the fasteners is sufficient to span the shims and penetrate into the studs at least 1" (2.5 cm).

- Tack the corners of the receptor into place using #6 large head galvanized nails (not supplied) to fasten the unit.
- Shim the receptor as needed at each of the remaining wall studs and finish nailing the receptor into place in the predrilled holes.

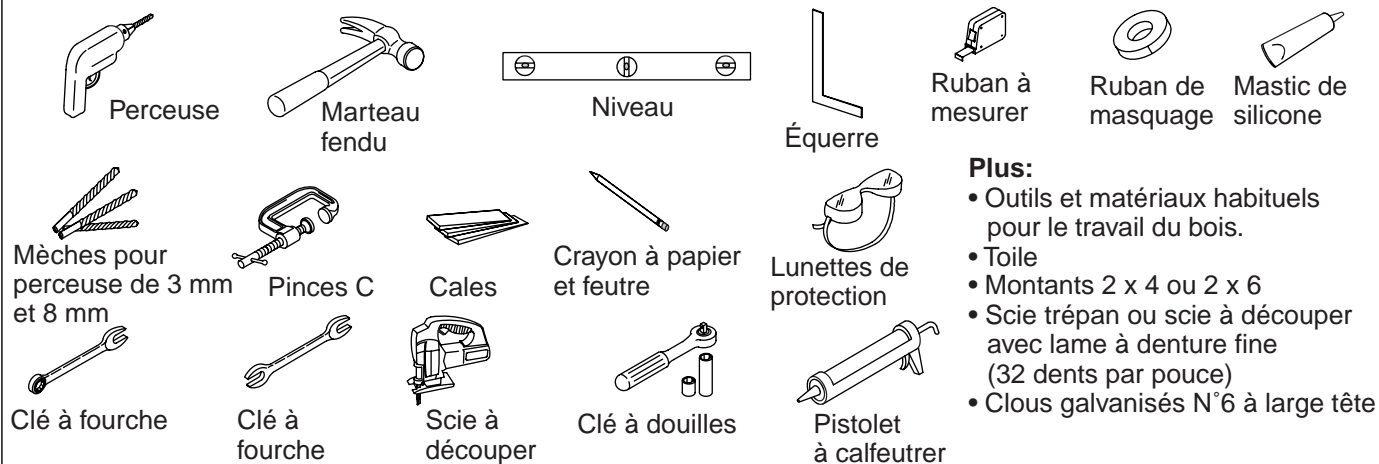
NOTE: The finished walls should be installed as plumb as possible. If the finished walls are not plumb, the shower door installation will be affected.

- Complete the finished walls.

Guide d'installation

Murs de douche et receveur

Outils et matériaux



Merci d'avoir choisi la compagnie Kohler

Nous apprécions votre engagement envers la qualité Kohler. Veuillez s'il vous plaît, prendre quelques minutes pour revoir et lire attentivement ce guide avant de commencer l'installation. Ne pas hésiter à nous contacter en cas de problème d'installation out de fonctionnement. Nos numéros de téléphone et adresse Internet sont au verso. Merci encore d'avoir choisi Kohler Co.

Avant de commencer



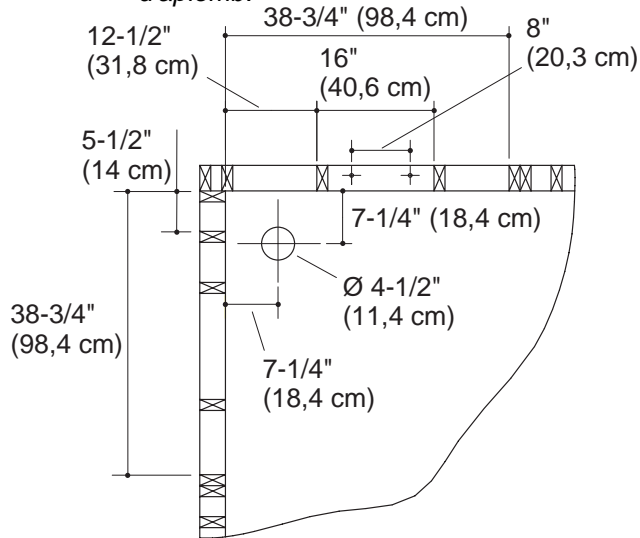
ATTENTION : Risque de dommages au produit. Si un calage important est requis, toutes les dimensions doivent être vérifiées et confirmées. Porter une attention supplémentaire lors de la création des axes et des repères des trous de robinetterie et de pomme de douche.

- Veuillez lire cette notice avant de commencer l'installation.
- Il y a deux types d'instructions dans ce guide d'installation, celles du bac (receveur) et de la douche murale, et celle du bac seul. Se reporter à la section appropriée.
- Avant de retirer l'ancien équipement, vérifier si les parois et le receveur de votre douche Kohler sont endommagés.
- Respecter tous les codes de plomberie et de construction locaux.
- Dans le cas d'une rénovation, mesurer l'ossature existante avant de déposer l'ancien équipement pour vous assurer que le nouvel élément se montera. Si nécessaire ajouter ou déplacer des montants pour créer la configuration de cadre appropriée illustrée.
- Garder le bac et les parois de douche dans un endroit sûr attendant de commencer l'installation.
- Ne pas installer la baignoire à hydromassage sur des solives de plancher exposées.
- Vérifier que l'espace soit suffisant pour bouger le module dans son emplacement d'installation.
- Éviter de déformer les parois latérales pour ne pas endommager le module.
- Isoler les parois extérieures avant l'installation.

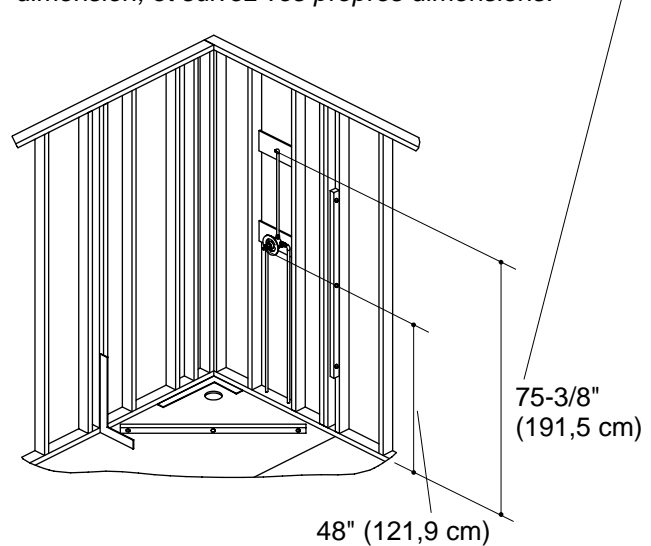
Avant de commencer (cont.)

- Si la hauteur du plafond le permet, il est recommandé de monter la tête de la douche au-dessus de la paroi murale.
- Le modèle de porte de douche Kohler K-704516 doit être utilisé avec ce module de douche.
- Avant de procéder à l'installation des accessoires et portes de douche, consulter toutes les directives applicables.
- Déterminer l'emplacement de la plomberie, selon le plan de raccordement.
- Avant de procéder à l'installation des accessoires, consulter toutes les directives à cet effet.

Remarque : La commande doit être centrée entre les montants. La plomberie peut devoir être déplacée et réglée si le mur n'est pas d'aplomb.



Cette dimension est pour monter la tête de douche au-dessus du mur de douche. Si vous montez la tête de la douche au-dessus de la paroi murale, ignorez cette dimension, et suivez vos propres dimensions.



1. Construire le cadre

IMPORTANT ! Consulter les instructions d'installation de la porte de douche pour tous encadrements particuliers.

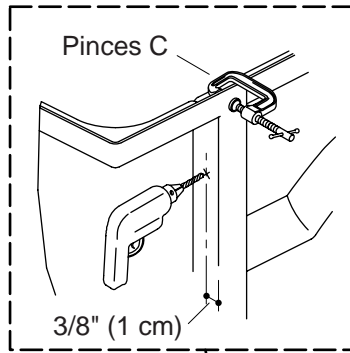
REMARQUE : Vérifier les dimensions de l'applique incluse par rapport à la pomme de douche si applicable. Si son diamètre dépasse 3" (7,6 cm), le bras de la douche doit être monté au-dessus de la paroi, dans un endroit approprié.

- Voir les plans de raccordement et du cadrage.
- Ajouter tout support nécessaire si des barres d'appui ou des porte-serviettes sont montés. Se référer aux instructions du fabricant.
- La tuyauterie peut être montée sur un mur ou sur l'autre. Les dimensions fournies doivent être utilisées sur n'importe quel mur.
- La pomme de douche peut être montée dans la paroi de la douche ou au-dessus. Tenir en compte la taille des utilisateurs de la douche pour déterminer l'emplacement du montage. La dimension est fournie uniquement pour le montage sur la paroi de douche.
- Si l'élément est monté sur un mur en maçonnerie, utiliser des fourrures pour fixer l'élément. La configuration des fourrures doit correspondre à la configuration de montants illustrée.

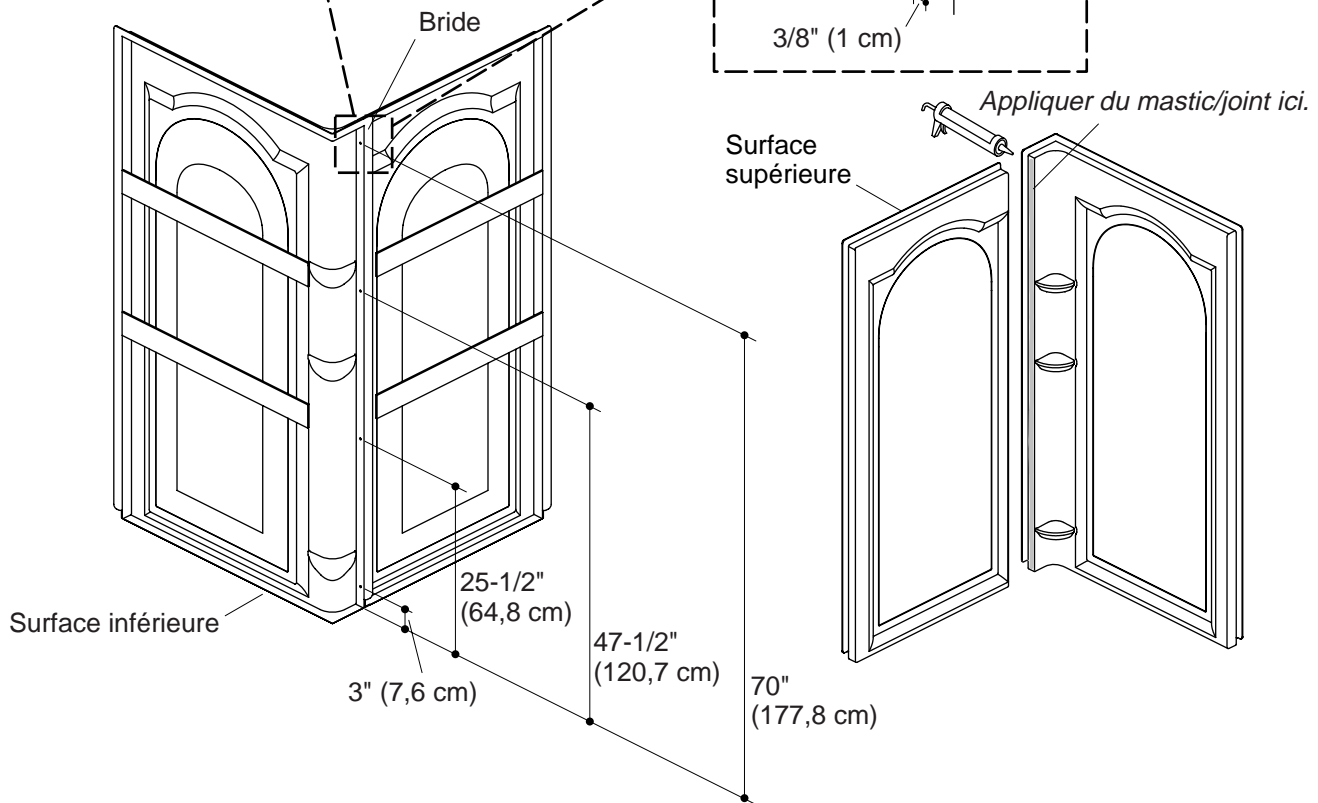
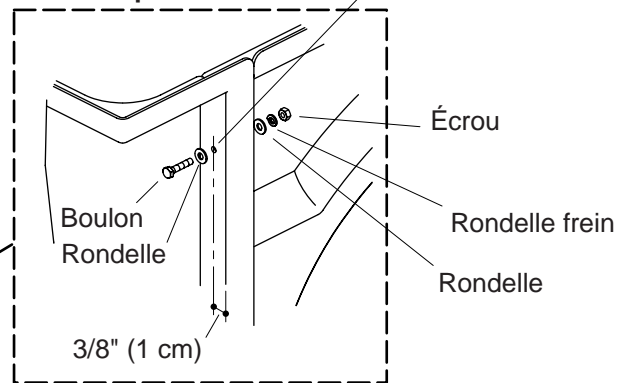
2. Installer la plomberie

- Placer le drain en fonction des dimensions présentées ci-dessus. Mesurer et découper le trou dans le sol puis installer les canalisations du drain.
- Poser la tuyauterie aux dimensions indiquées ci-dessus. La plomberie devrait être installée avant de mettre l'unité en place.

Face arrière représentée



Face arrière représentée



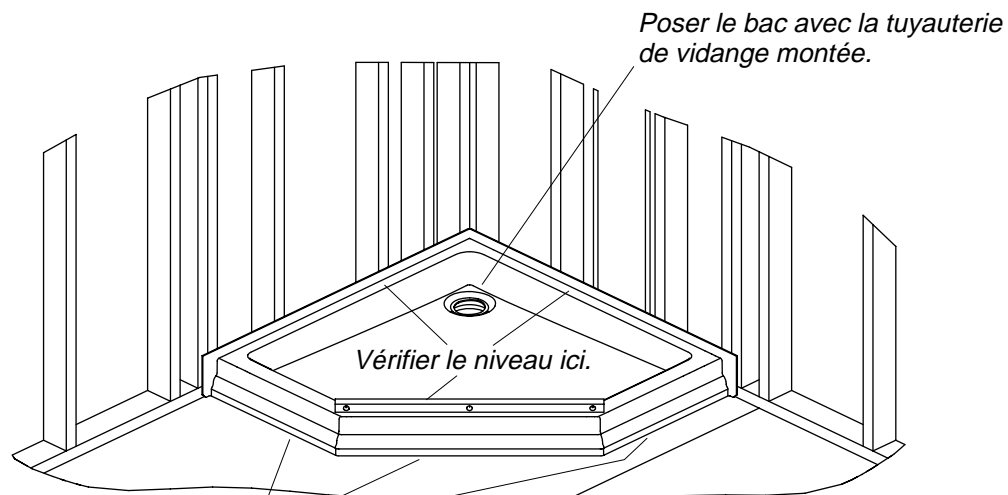
3. Assembler les murs

REMARQUE : Avant de commencer, installer les valves dans le cadrage.

- Positionner les parois verticalement, sur une surface plate avec les brides jointes tel qu'illustré.
- S'assurer que les murs reposent tous les deux sur le sol.
- Cramponner les murs ensemble en haut et en bas en utilisant des pinces en C. S'assurer que les surfaces inférieures soient à égalité.
- Marquer l'emplacement des orifices sur la bride avec un feutre.
- Percer les orifices à travers les deux brides avec une mèche de 5/16" aux quatre emplacements marqués.
- Retirer les pinces et appliquer un **minimum** boudin de silicone de 1/4" (6 mm) résistante à la moisissure 100% claire sur une des surfaces de jointure entre les murs.

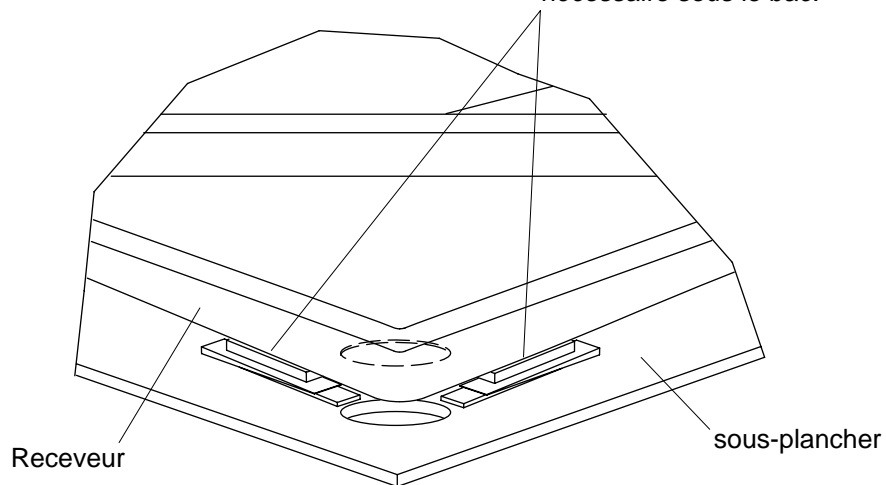
Assembler les murs (cont.)

- Repositionner les murs ensemble et assembler le boulon, les rondelles, et l'écrou à chaque emplacement.
- Serrer avec une clé. Ne pas trop serrer.



Le bord du receveur doit reposer à plat sur le sol. Caler si nécessaire.

Les blocs et les cales de mise à niveau, doivent être placées si nécessaire sous le bac.

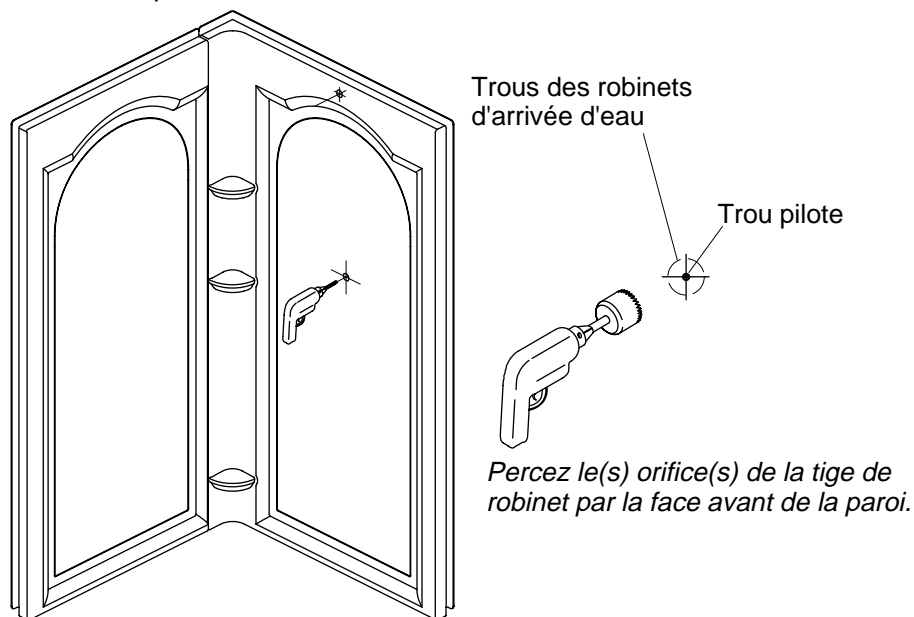


Vue arrière du récepteur sur le sol

4. Préparer le receveur


- Assembler et monter la vidange conformément aux instructions du fabricant.
- Déplacer le receveur dans son logement.
- Vérifier que l'élément soit nivelé sur tous les côtés. Si l'élément n'est pas nivelé, caler selon les besoins pour corriger.
- Préalablement percer le côté et l'arrière de la collerette de cloutage tout autour du receveur sur chaque centre de montant. Ne pas clouer le receveur en place maintenant.

Remarque : Si la rosace de la tête de la douche a un diamètre supérieur à 3-1/2" (8,9 cm), il est recommandé de la monter au-dessus du module si l'espace est suffisant.



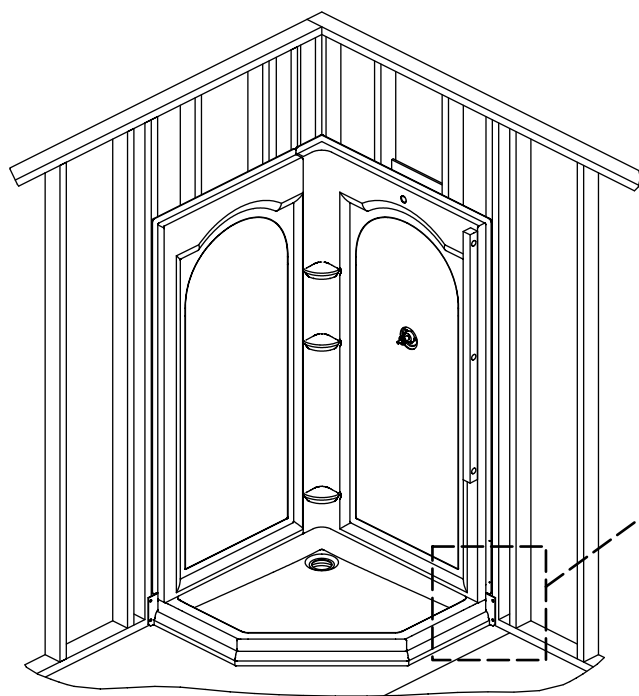
Remarque : Quand vous déterminez l'emplacement de la découpe du robinet, mesurez la distance depuis le rebord supérieur du bac.

5. Découper les orifices d'alimentation

 **ATTENTION : Risque de dommages au produit.** Vérifier et re-vérifier les emplacements des robinets et de la pomme de douche avant de percer. Le ou les trous doivent être au bon endroit.

 **ATTENTION : Risque de blessures corporelles.** Porter des lunettes de protection quand vous coupez ou percer les orifices.

- Marquer le centre du robinet d'alimentation sur la face frontale de la paroi d'extrémité. Déterminer la hauteur selon les instructions du fabricant.
- Les orifices doivent s'aligner avec les côtés de la plomberie de la section "Construire le cadre" et se trouver sur l'axe du panneau mural à la bonne distance du sol.
- Se référer aux instructions du fabricant du robinet pour connaître la dimension adéquate pour le trou. Vérifier que le cache du robinet est assez grand pour recouvrir les trous.
- Percer un trou pilote de diamètre 1/4" (6 mm) aux emplacements repérés sur la paroi de douche appropriée.
- À partir de la surface finie du mur, découper les trous requis pour la robinetterie. Un trépan est préférable mais si la dimension adéquate n'est pas disponible, la découpe peut se faire avec une scie à découper munie d'une lame fine pour métaux ou pour le plastique.
- Protéger la surface de finition avec un ruban adhésif de protection.



*Aligner ces deux surfaces
verticales sur les deux murs.*

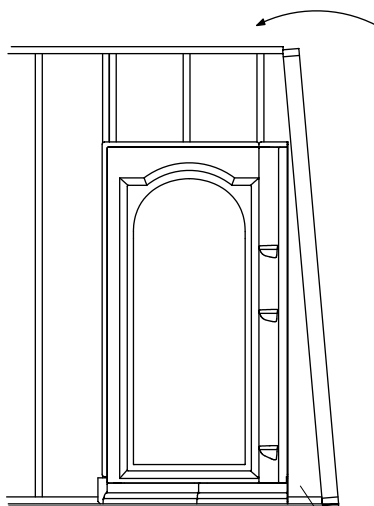
8" (20,3 cm)

*Aligner ces surfaces
verticales sur les
deux murs.*

6. Préparer les murs

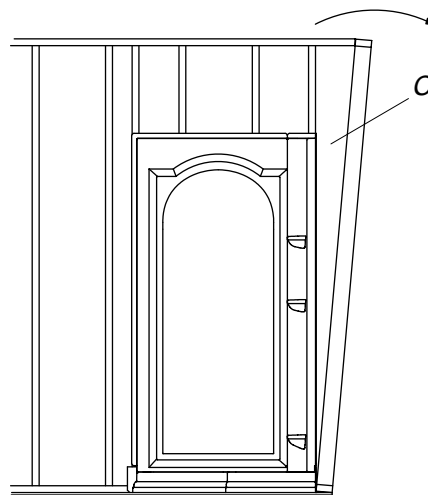
REMARQUE : Le module doit être d'aplomb et nivelé. La porte de la douche ne pourra être installée proprement, si l'appareil n'est pas d'aplomb ni nivelé.

- Déplacer avec précaution les parois assemblées sur le receveur.
- Aligner le receveur et les parois.
- Vérifier l'aplomb et le niveau des parois.
- Si les parois ne sont pas d'aplomb et de niveau, passez à la section "Procédures de calage".
- **Préalablement percer** la collerette du bac sur les centres des montants et sur les parois sur les axes de 8" (20,3 cm). **Ne pas clouer le receveur en place maintenant.**



Caler à chaque clou.

**Montant penchant
vers l'intérieur.**



Caler à chaque clou.

**Montant penchant
vers l'extérieur**

Remarque : Placer les cales de telle façon qu'elles soient maintenues autant que possible par les fixations. Percer les avant-trous au travers des cales pour éviter de les fendre lors de la pose des fixations.

7. Procédures de calage

- Si une des parois n'est pas d'aplomb, cela créera un effet inverse sur l'autre paroi et le bac, et empêchera l'ajustage de la porte sur la paroi.
- Si un des deux montants penche vers l'avant du côté du bac, le bac devra être éloigné du montant, jusqu'à ce que la paroi soit nivelée.
- Si un des deux montants penche vers l'arrière du côté du bac, clouer des cales entre la collerette de cloutage du mur et l'ossature, jusqu'à ce que la paroi soit nivelée.
- Tout dépendra de l'importance de l'inclinaison et du calage nécessaire, mais la tuyauterie de vidange et/ou la plomberie devra peut-être retirée, pour tout aligner et mettre le receveur d'aplomb.

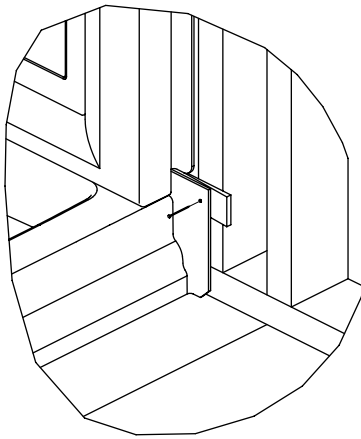


Figure 1

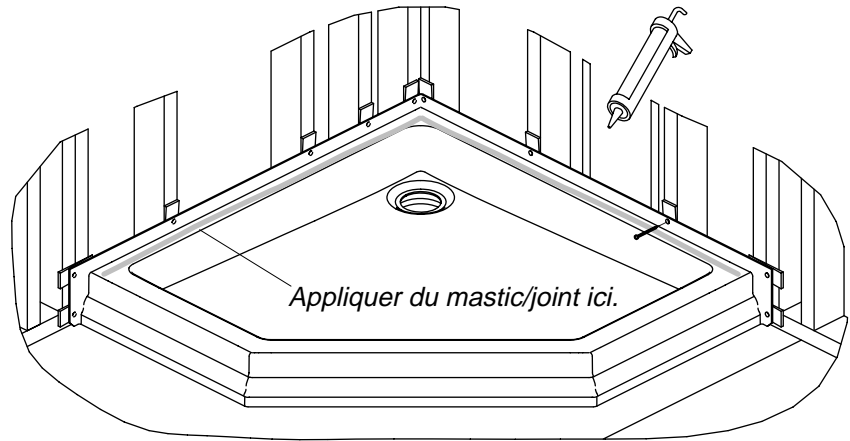


Figure 2

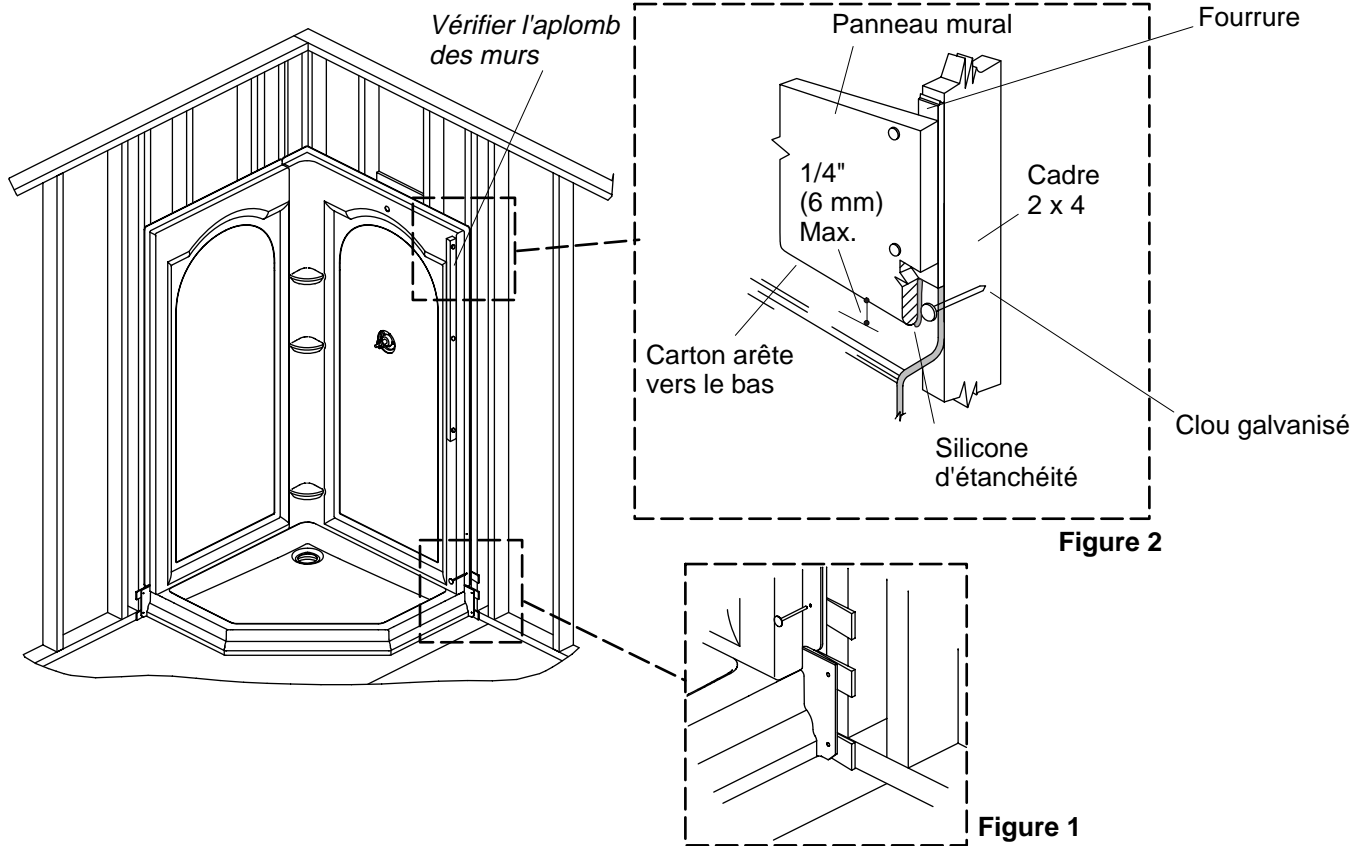
8. Sécuriser le receveur

REMARQUE : Si l'unité est calée, vérifier que les fixations soient assez longues pour percer les cales et, pénétrer dans les montants d'au moins 1" (2,5) cm

- Clouer les coins du receveur en place avec des clous galvanisés N° 6 à tête large (non fournis) pour fixer l'unité. (Figure 1)
- Retirer soigneusement les parois.
- Caler le receveur si nécessaire sur chaque montant restant et finissez de clouer le récepteur en place dans les trous préalablement percés. (Figure 2)

9. Étanchéifier le receveur

- Appliquer un boudin de 1/4" (6 mm) **minimum** de silicone claire à 100% autour du receveur là où les murs de douche se mettent en contact avec le receveur.

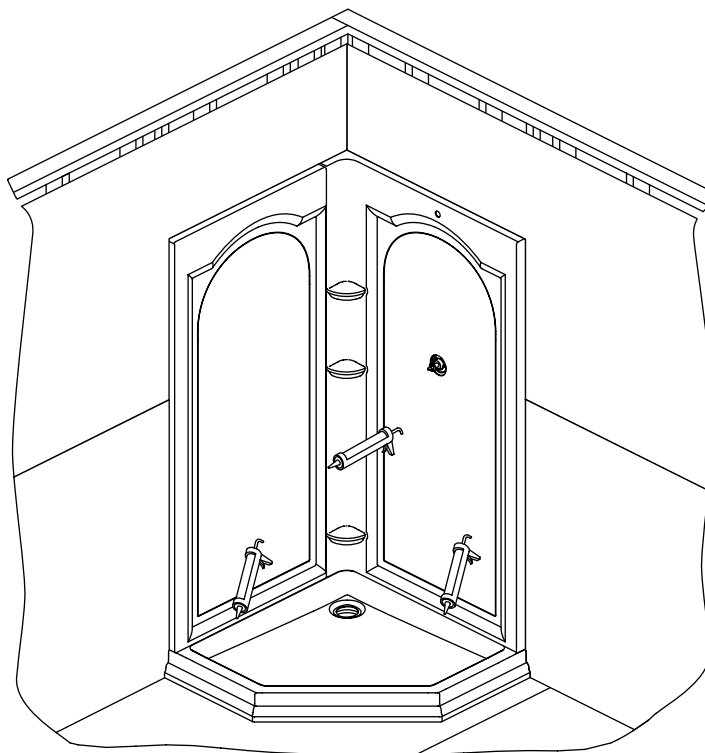


10. Sécuriser les murs

- Déplacer soigneusement l'ensemble du mur sur le receveur. Placer l'ensemble du mur directement sur le receveur pour éviter de racler la silicone hors du joint.
- Vérifier que les murs soient à égalité
- Vérifier l'alignement des murs du receveur tel que décrit dans la section "Pré-ajuster les murs de la Douche".
- Caler les parois si nécessaire à chaque orifice pré-percé.
- Sécuriser les murs en place en utilisant des clous galvanisés N° 6 à tête large. Commencer du rebord extérieur et autour de chaque mur en allant vers le coin. S'assurer que la base des murs ne soit pas élevée du receveur. (Figure 1)

11. Installer le mur fini

- Fixer des tasseaux afin d'assurer que l'installation du carton-plâtre soit nivelé. (Figure 2)
- Appliquer un lit continu de silicone claire sur les brides de cloutage.
- Installer le carton plâtre avec l'arête (en papier broché) à un maximum de 1/4" (6 mm) au-dessus de la surface finie, surface concave des murs.
- Les brides de cloutage avant doivent être préparées de la même façon, et le carton plâtre scellé à la bride de cloutage. Étanchéfier, coller et finir le carton-plâtre.

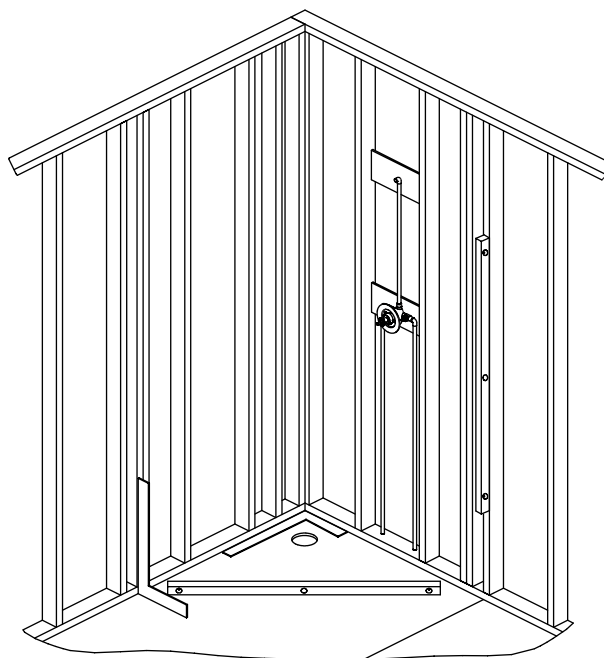


12. Compléter l'installation

- Poser votre silicone entre le receveur et les parois, tout le long des arêtes verticales entre les deux parois.
- Laisser sécher suivant les recommandations du fabricant du joint.
- Installer les barres d'appui et les porte-serviettes sur l'entretoisement préalablement installé. Respecter les instructions du fabricant des accessoires.
- Monter la porte de douche conformément à la notice du fabricant.

13. Nettoyage

- Consulter les recommandations d'entretien et de nettoyage dans le guide du propriétaire avant de commencer le nettoyage.
- Ne pas utiliser de produits abrasifs après l'installation, ces produits rayeront et dépoliront la surface du produit.
- Retirer les tache résistantes, la peinture ou le goudron avec de l'essence de térébenthine ou un diluant pour peinture.
- Ne jamais laisser des produits à base de pétrole distillé en contact prolongé avec des surfaces du produit.
- Retirer le plâtre en grattant soigneusement avec une arête en bois. Ne pas utiliser d'outil ou de brosse métallique. Utiliser un détergent en poudre sur un tissu humide pour obtenir une action abrasive douce sur les résidus de plâtre.



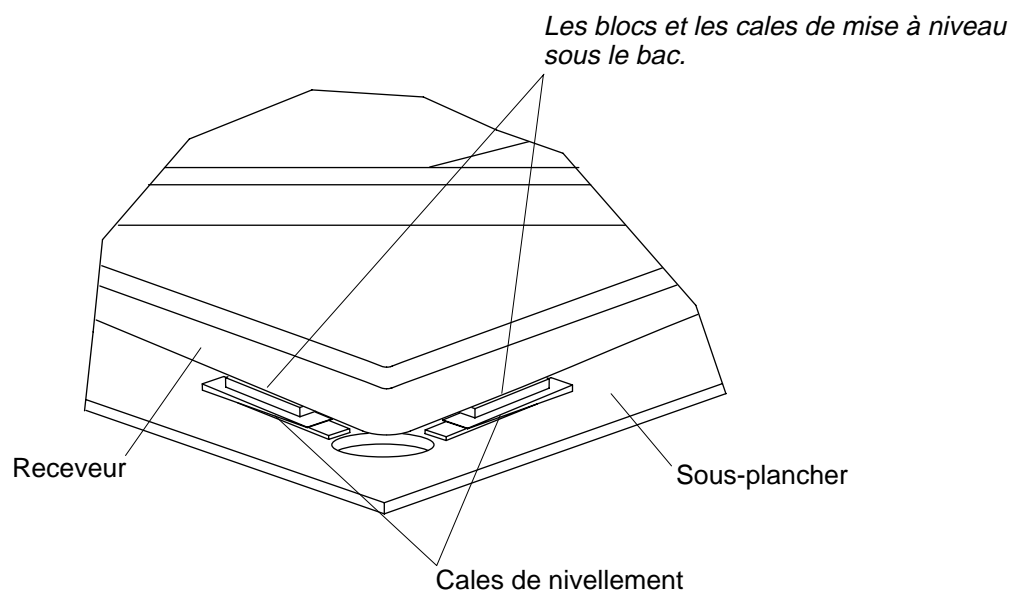
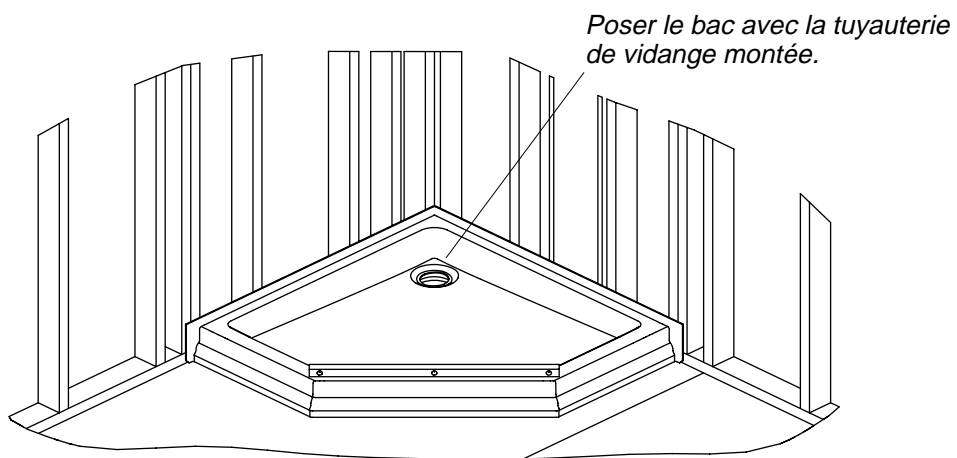
14. Installation du receveur uniquement - Construire le cadrage du montant

IMPORTANT ! Consulter les instructions d'installation de la porte de douche pour tous encadrements particuliers.

- Voir le plan de raccordement et du cadrage.

15. Installer la plomberie

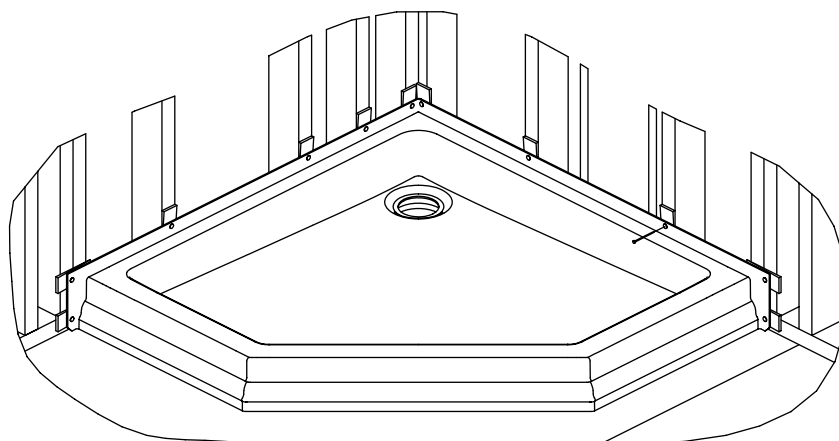
- Positionner le drain selon les instructions du fabricant. Mesurer et découper le trou de drain dans le sol puis installer les canalisations correspondantes.
- La plomberie devrait s'installer avant de mettre l'unité en place.



Vue arrière du récepteur sur le sol

16. Installer le receveur

- Assembler et monter le drain conformément aux instructions du fabricant.
- Déplacer le receveur sur son logement.
- Vérifier que l'élément soit nivelé sur les trois côtés. Si le receveur n'est pas nivelé, la partie arrière de la base devra être calée selon les besoins, pour la niveler.
- Préalablement percer le côté et l'arrière de la collerette de cloutage tout autour du receveur sur chaque centre de montant. Ne pas clouer pas le receveur en place maintenant.



17. Sécuriser le receveur au cadrage du montant

REMARQUE : Si l'unité est calée, s'assurer que la longueur des fixations soit assez longue pour percer les cales et pénétrer dans les montants sur au moins 1" (2,5) cm.

- Clouer les coins du receveur en place avec des clou galvanisés N° 6 à tête large (non fournis) pour fixer l'unité.
- Caler si nécessaire le receveur à chaque montant restants et finir de clouer le receveur en place en utilisant les orifices préalablement percés.

REMARQUE : Les murs fins doivent être montés avec le meilleur aplomb possible. Si les parois ne sont pas d'aplomb, l'installation de la porte deviendra un problème.

- Terminer les parois.

Guía de instalación

Base y paredes de ducha

Herramientas y materiales



Más:

- Herramientas y materiales convencionales para trabajar la madera.
- Lona para el piso
- Postes de 2x4 ó 2x6
- Serrucho de calar o sierra caladora eléctrica con hoja delgada (32 dientes por pulgada)
- Clavos grandes galvanizados del n° 6

Gracias por elegir los productos de Kohler

Apreciamos su elección por la calidad de Kohler. Tome unos minutos para leer este manual antes de comenzar la instalación. En caso de problemas de instalación o de funcionamiento, no dude en contactarnos. Nuestros números de teléfono y nuestra página web se encuentran en el reverso de esta guía. Gracias nuevamente por escoger a Kohler.

Antes de comenzar



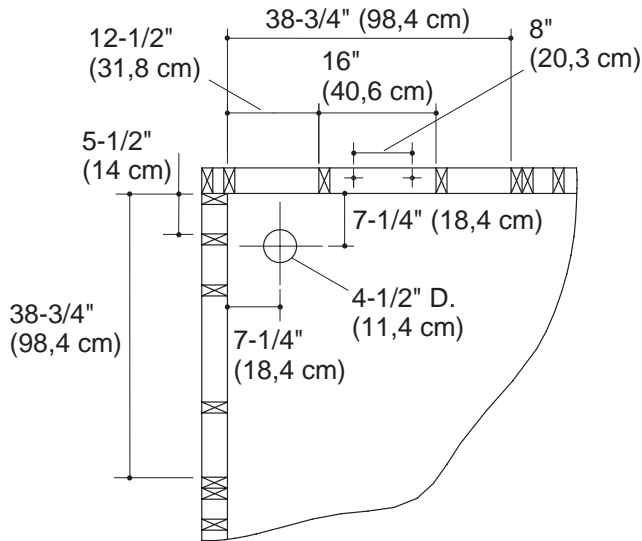
PRECAUCIÓN: Riesgo de daños al producto. Si se necesita acuar de manera extensiva, se deben comprobar y confirmar todas las dimensiones. Tenga sumo cuidado al crear las líneas centrales y al marcar la ubicación del orificio de la válvula y de la cabeza de ducha.

- Lea todas las instrucciones antes de comenzar.
- Hay dos conjuntos de instrucciones en esta guía de instalación, la instalación de la base y ducha, y la instalación de la base solamente. Consulte la sección correspondiente.
- Antes de desmontar la unidad vieja, verifique que las paredes y la base de ducha de Kohler no estén dañadas.
- Cumpla con todos los códigos locales de plomería y de construcción.
- Si está remodelando, mida la estructura existente antes de desmontar la unidad vieja, para asegurarse de que la unidad nueva quepa en el mismo espacio. Si es necesario añada o mueva los postes para crear la configuración de postes correcta como se ilustra.
- Para evitar daños, guarde los componentes de la ducha en un lugar seguro hasta que comience la instalación.
- No instale la ducha sobre vigas expuestas en el suelo.
- Asegúrese de que el acceso sea suficiente para mover el módulo al lugar de la instalación.
- Evite doblar las paredes laterales, para no ocasionar daños al módulo.

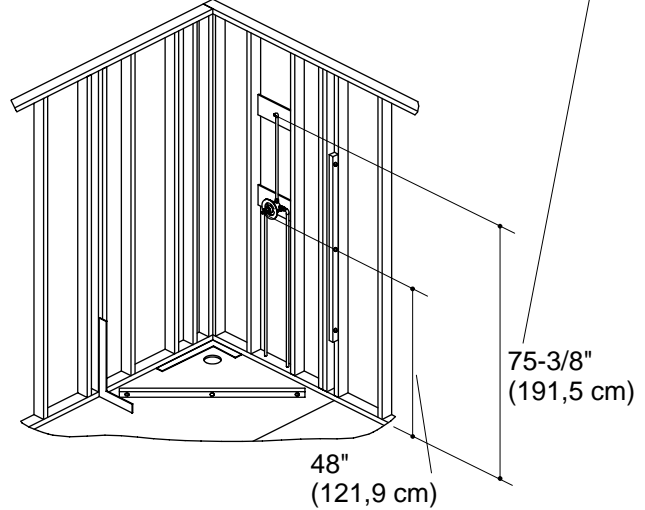
Antes de comenzar (cont.)

- Aisle todas las paredes exteriores antes de la instalación.
- Si la altura del techo lo permite, se recomienda montar la cabeza de ducha por encima de la pared de ducha.
- La puerta de ducha de Kohler modelo K-704516 se debe utilizar con este módulo de ducha.
- Consulte las instrucciones correspondientes a los accesorios y puertas de ducha, antes de instalar.
- Coloque las tuberías de desagüe conforme a las dimensiones del diagrama de instalación.
- Consulte todas las instrucciones correspondientes sobre las opciones y accesorios, antes de comenzar esta instalación.

Nota: Los controles deben estar centrados entre los postes. Si la pared no está a plomo, será necesario ajustar los suministros de plomería y la ubicación de los controles.



Estas dimensiones son para montar la cabeza de ducha en la parte superior de la pared de ducha. Si la cabeza de ducha se va a montar por encima de la pared de ducha, ignore estas dimensiones y ajuste los suministros de plomería según sea necesario.



1. Construya la estructura de postes

¡**IMPORTANTE!** Consulte las instrucciones de instalación de la puerta de la ducha para toda consideración especial de la estructura.

NOTA: Compruebe las dimensiones del chapetón incluido con la cabeza de ducha, de ser pertinente. Si el diámetro del chapetón excede de 3" (7,6 cm), el brazo de ducha debe montarse en un lugar apropiado por encima de la pared de ducha.

- Examine los diagramas de instalación y de la estructura.
- Si va a instalar agarraderas o toalleros, añada todos los refuerzos o soportes necesarios. Consulte las instrucciones del fabricante del accesorio.
- Las conexiones de plomería se pueden instalar en cualquiera de las paredes. Las dimensiones suministradas deben utilizarse en cualquiera de las paredes.
- La cabeza de ducha puede instalarse en la pared de ducha o por encima de la pared de ducha. Tome en cuenta la altura de las personas que utilizan la ducha cuando determine la ubicación de la instalación. Las dimensiones proporcionadas son para la instalación de una pared de ducha solamente.
- Si se instala la unidad contra una pared de hormigón, utilice listones de empotrar para fijar la unidad. La configuración de los listones de empotrar debe corresponder a la configuración de postes ilustrada.

2. Instalación de plomería

- Determine la ubicación del desagüe conforme a las dimensiones ilustradas arriba. Mida y corte la abertura para el orificio de desagüe en el piso e instale las tuberías de desagüe.
- Instale la plomería básica conforme a las dimensiones ilustradas arriba. La plomería básica debe estar instalada antes de colocar la unidad.

Ilustración de la parte posterior

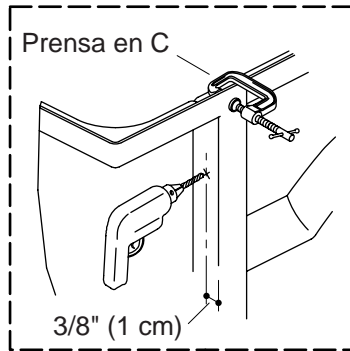
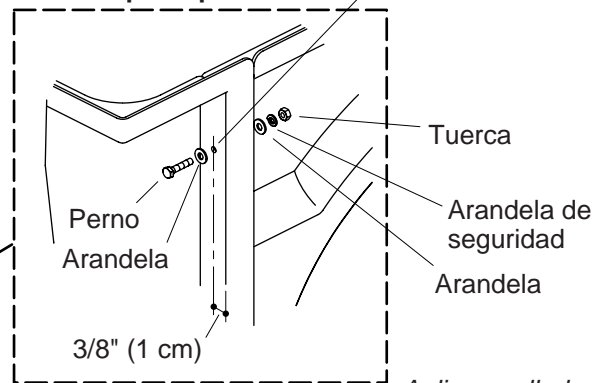


Ilustración de la parte posterior



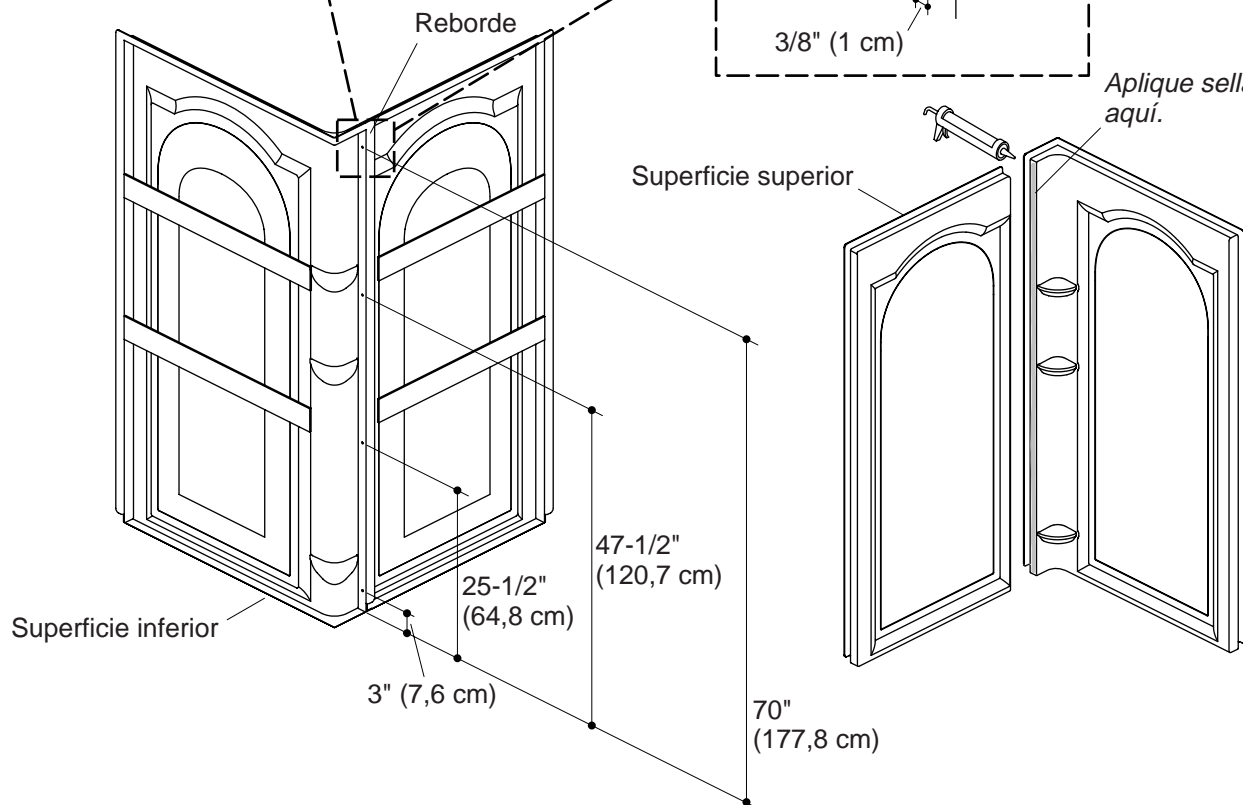
Perforar orificios en los cuatro lugares marcados.

Tuerca

Arandela de seguridad
Arandela

3/8" (1 cm)

Aplique sellador aquí.



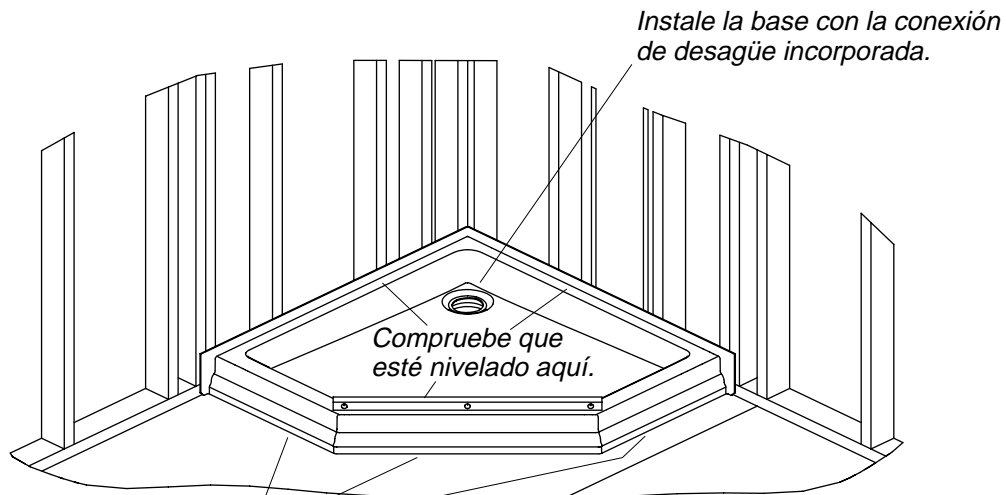
3. Monte las paredes

NOTA: Antes de continuar, instale las válvulas en la cavidad de la estructura.

- Coloque las paredes en posición vertical sobre una superficie limpia y llana con los rebordes en contacto tal como se ilustra.
- Asegúrese de que ambas paredes se apoyen por completo en el piso.
- Sujete las paredes por la parte superior e inferior utilizando las prensas tipo C. Asegúrese de que las superficies inferiores estén a ras la una de la otra.
- Marque la ubicación de los orificios en el reborde con un marcador de punta de fieltro.
- Perfore los orificios a través de ambos rebordes con una broca de 5/16" en cada una de las cuatro ubicaciones marcadas.
- Retire las prensas y aplique **como mínimo**, una tira de 1/4" (6 mm) de sellador de silicona al 100% transparente y resistente al moho, en una de las superficies de contacto entre las paredes.

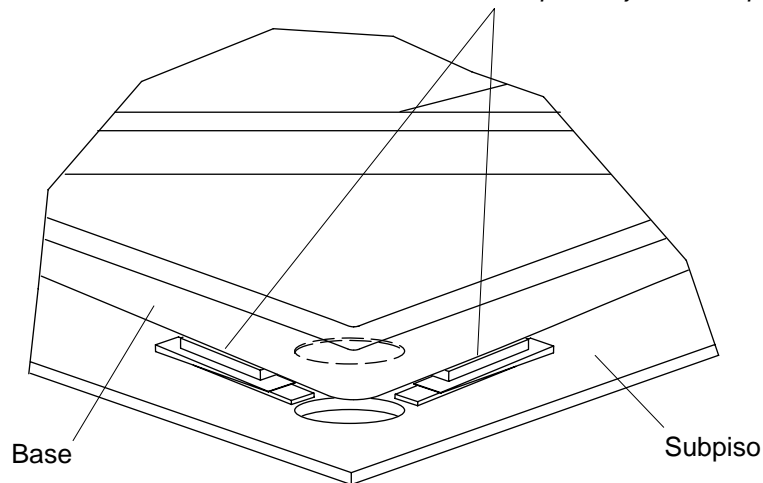
Monte las paredes (cont.)

- Vuelva a colocar las paredes juntas y monte el perno, las arandelas y la tuerca en cada sitio.
- Apriete con una llave. No apriete demasiado.



El borde de la base debe quedar completamente apoyado contra el piso. Coloque cuñas según sea necesario.

Si es necesario, se deben colocar cuñas o bloques bajo la base para nivelar.

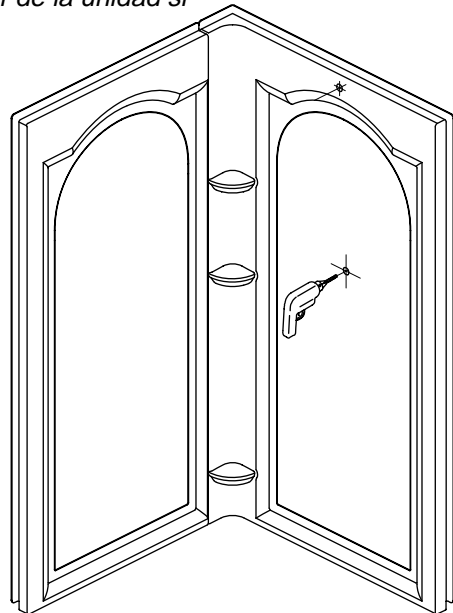


Vista de la parte posterior de la base en el subpiso

4. Prepare la base

- Monte e instale el desagüe según las instrucciones del fabricante.
- Desplace la base de la ducha al hueco de la estructura.
- Verifique que la unidad esté nivelada por todos los lados. Si la unidad no está nivelada, coloque cuantas cuñas sean necesarias para nivelar la unidad.
- Perfore los rebordes de clavado laterales y posteriores por el centro de los postes alrededor de la base. No clave la base en este momento.

Nota: Si el anillo decorativo de la cabeza de ducha tiene un diámetro de más de 3" (7,6 cm), se recomienda que la cabeza de ducha se instale por encima del borde superior de la unidad si el espacio lo permite.



Orificio de la válvula de suministro de agua

Orificio de guía



Perfore el/los orificio/s de la espiga de la válvula por la parte frontal del panel de la pared.

Nota: Cuando determine la ubicación de la abertura de la válvula, mida la distancia desde el borde superior de la base.

5. Perfore los orificios de suministro

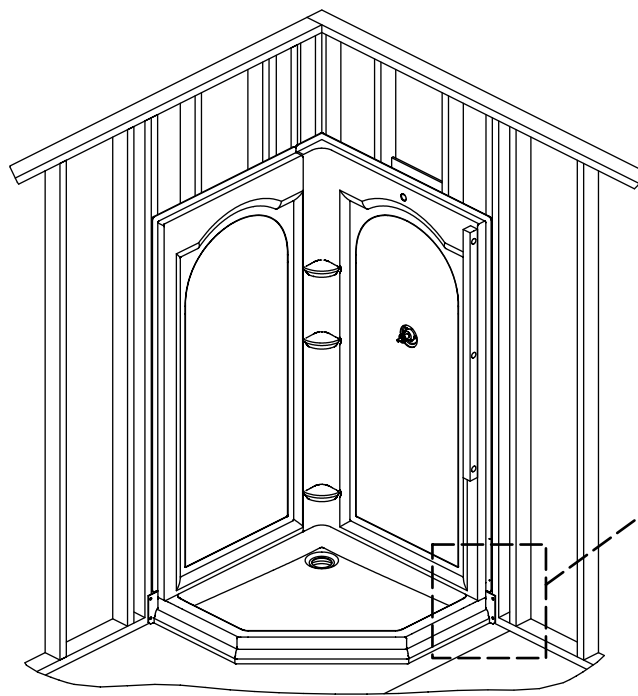


PRECAUCIÓN: Riesgo de daños al producto. Compruebe y vuelva a comprobar las ubicaciones de la válvula y cabeza de ducha antes de taladrar. El o los orificios deben estar en la ubicación correcta.



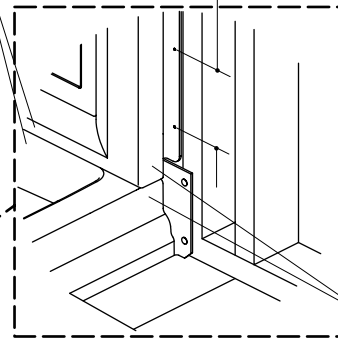
PRECAUCIÓN: Riesgo de lesiones. Utilice lentes de seguridad mientras perfore o taladre.

- Marque el centro de la válvula de suministro en la parte frontal de la pared. Determine la altura según las instrucciones del fabricante.
- Los orificios deben alinearse con las dimensiones de la instalación de plomería en la sección "Construya la estructura de postes", y deben estar en la línea central del panel de la pared a la correcta distancia del piso.
- Consulte las instrucciones del fabricante de la válvula para determinar el tamaño correcto de los orificios. Compruebe que la placa de la válvula sea de tamaño suficiente para tapar los orificios.
- Perfore orificios de guía de 1/4" (6 mm) en los lugares marcados de la pared de ducha correspondiente.
- Corte los orificios necesarios para la válvula por la superficie acabada de la pared. Es preferible utilizar un serrucho de calar, pero si no dispone del tamaño correcto se puede cortar mediante una sierra caladora eléctrica con una hoja delgada de metal o plástico.
- Proteja la superficie acabada con cinta adhesiva antes de cortar.



Alinee estas dos superficies en ambas paredes.

8" (20,3 cm)

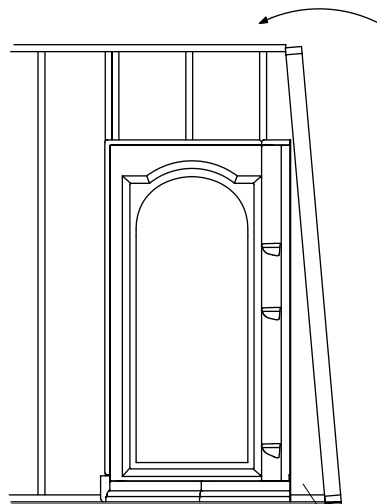


Alinee estas superficies verticales en ambas paredes.

6. Ajuste inicial de las paredes

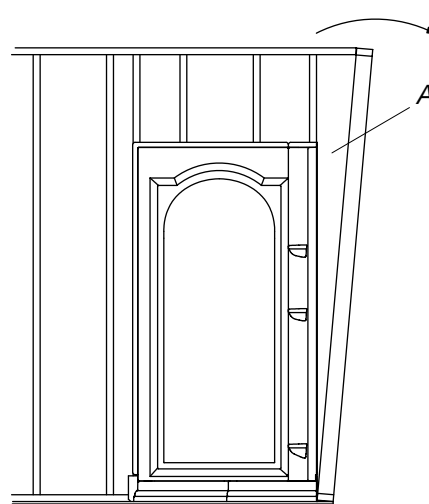
NOTA: El módulo debe estar a plomo y nivelado. La puerta de la ducha no se instalará correctamente si el módulo no está a plomo y nivelado.

- Desplace con cuidado el montaje de la pared sobre la base.
- Alinee la base con las paredes.
- Compruebe y alinee las paredes para que estén a plomo y niveladas.
- Si las paredes no están a plomo y niveladas, pase a la sección "Procedimientos para acuar".
- **Perfore** los rebordes de clavado por el centro de los postes y alrededor de las paredes, dejando 8" (20,3 cm) de distancia entre los centros de los orificios. **No clave las paredes en este momento.**



Acuña en cada clavo.

**Pared de postes inclinada
hacia el interior**



Acuña en cada clavo.

**Pared de postes inclinada
hacia el exterior**

Nota: Coloque las cuñas de manera que estén sostenidas con fijaciones siempre y cuando sea posible. Perfore los orificios de guía a través de las cuñas para evitar rajarlas cuando se instalen las fijaciones.

7. Procedimientos para acuar

- Si alguna de las paredes no está a plomo, el ajuste de los paneles de la pared a la base y de la puerta de la ducha a las paredes se verá gravemente perjudicado.
- Si una o ambas paredes de la estructura de postes están inclinadas hacia el interior de la base, tendrá que alejar la base de la estructura hasta que las paredes estén a plomo.
- Si una o ambas paredes de la estructura están inclinadas hacia el exterior de la base, tendrá que colocar cuñas entre el reborde de clavado de la pared y la estructura hasta que la pared de la ducha esté a plomo.
- Dependiendo de la gravedad del aplome y del acuar necesario, es posible que necesite desplazar la tubería de desagüe y/o instalación de plomería para alinear la base y ponerla a plomo.

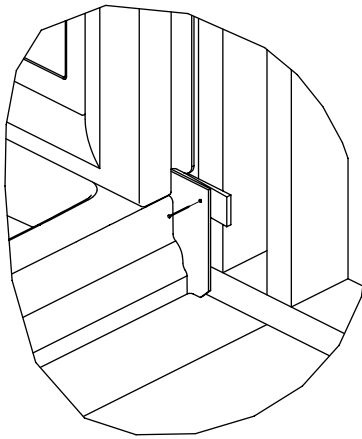


Figura 1

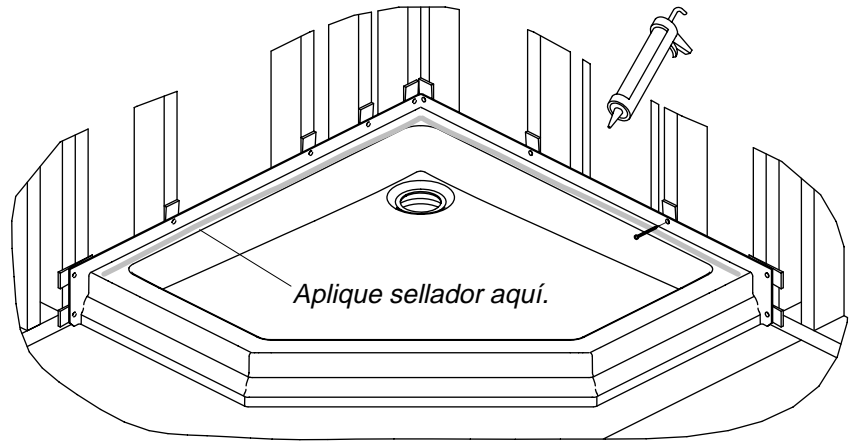


Figura 2

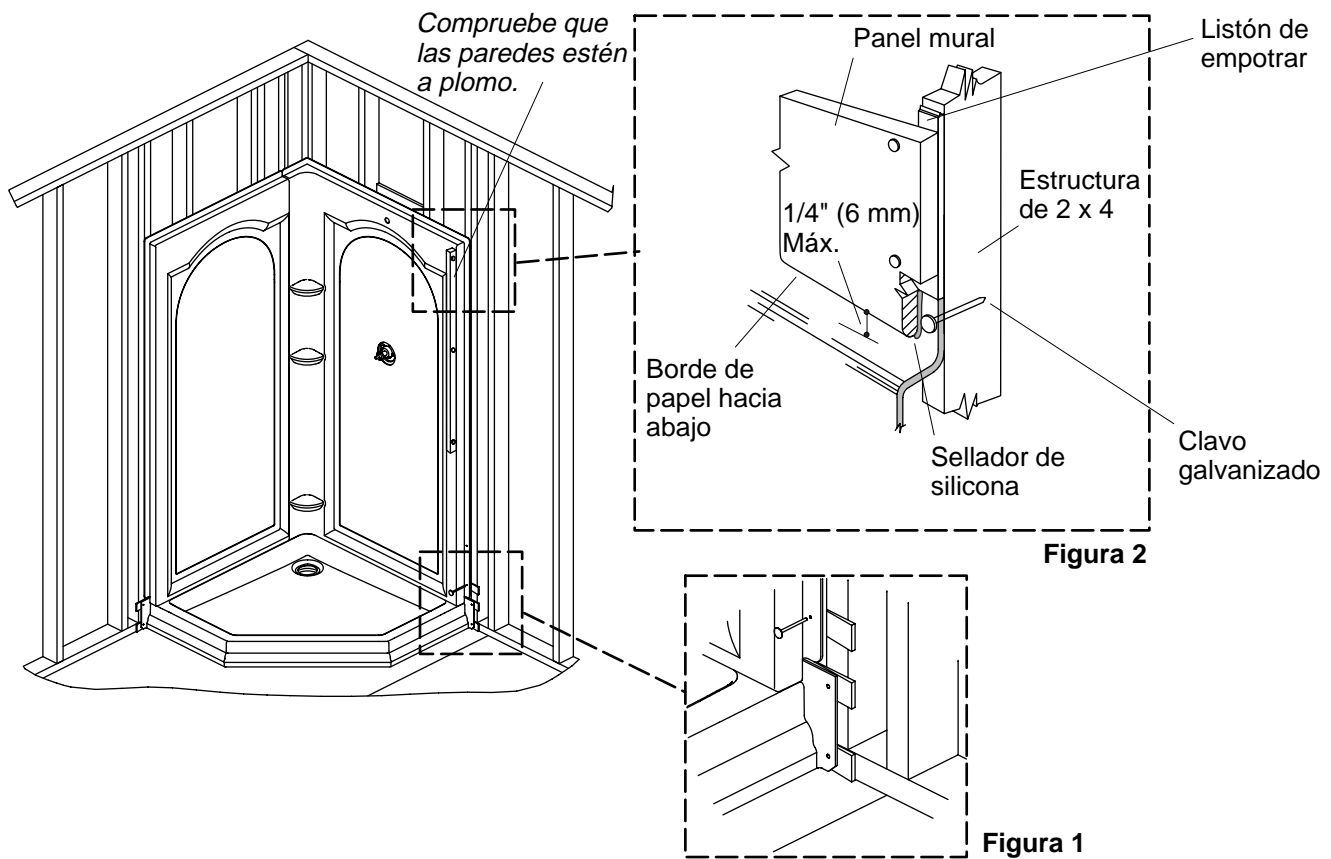
8. Fije la base

NOTA: Si la unidad está acuñaada, asegúrese de que la longitud de las fijaciones sea suficiente para cubrir las cuñas y penetrar en los postes al menos 1" (2,5 cm).

- Clave las esquinas de la base en su lugar mediante clavos grandes galvanizados del n° 6 (no suministrados) para fijar la unidad. (Figura 1)
- Desmonte las paredes con cuidado.
- Acuña la base según sea necesario en cada uno de los postes restantes y termine de clavar la base en los orificios taladrados. (Figura 2)

9. Selle la base

- Aplique una tira de 1/4" (6 mm) **como mínimo**, de sellador de silicona al 100% transparente y resistente al moho alrededor de la base donde las paredes de la ducha entran en contacto con la base.

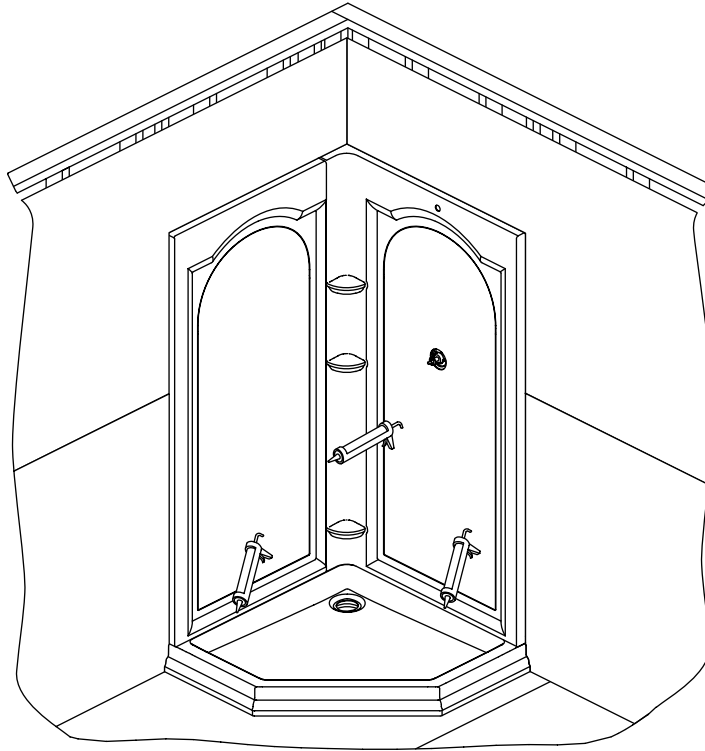


10. Fije las paredes

- Desplace con cuidado el montaje de la pared sobre la base. Coloque el montaje de la pared directamente sobre la base para evitar raspar el sellador de la junta.
- Verifique que las paredes estén a plomo.
- Compruebe la alineación de las paredes de la base como se describe en la sección "Ajuste inicial de las paredes de la ducha".
- Acuñe las paredes según sea necesario en la ubicación de cada orificio taladrado.
- Sujete las paredes en su lugar con clavos galvanizados de cabeza grande del n° 6. Comience en el borde exterior y continúe clavando cada pared hacia la esquina. Asegúrese de que la parte inferior de las paredes no se despegue de la base. (Figura 1)

11. Instale la pared acabada

- Fije listones de empotrar a los postes para asegurar que la instalación del panel mural esté segura y nivelada. (Figura 2)
- Aplique una tira de sellador de silicona al 100% transparente y resistente al moho, en los rebordes de clavado.
- Instale el panel mural con el borde de fábrica (borde de cartón) a 1/4" (6 mm) como máximo por encima de la superficie acabada cóncava de las paredes.
- Los rebordes de clavado frontales deben estar empotrados de manera similar, y el panel mural se debe sellar al reborde de clavado. Termine el panel mural con cinta y yeso.

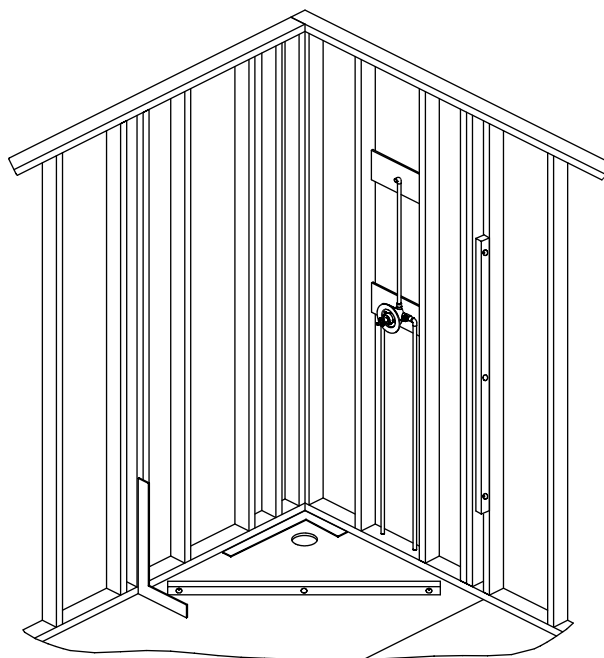


12. Termine la instalación

- Selle las juntas entre la base y las paredes a lo largo de la junta vertical entre las dos paredes.
- Permita que se seque conforme a las instrucciones del fabricante del sellador.
- Instale cualquier agarradera o toallero adicional en los refuerzos previamente instalados. Siga todas las instrucciones del fabricante del accesorio.
- Instale la puerta de la ducha según las instrucciones del fabricante.

13. Limpieza

- Consulte las instrucciones de cuidado y limpieza de la Guía del usuario antes de limpiar la unidad.
- Al limpiar después de la instalación, no utilice limpiadores abrasivos, pues podrían rayar y opacar la superficie del producto.
- Limpie las manchas difíciles de quitar, la pintura y el alquitrán con aguarrás o diluyente de pintura.
- No permita que los limpiadores que contengan destilados del petróleo entren en contacto con las superficies del producto por ningún periodo de tiempo.
- Retire el yeso de la superficie raspando con un canto de madera. No utilice herramientas de metal o alambre. Utilice un detergente en polvo con un paño húmedo para proporcionar una acción abrasiva y suave en los residuos de yeso.



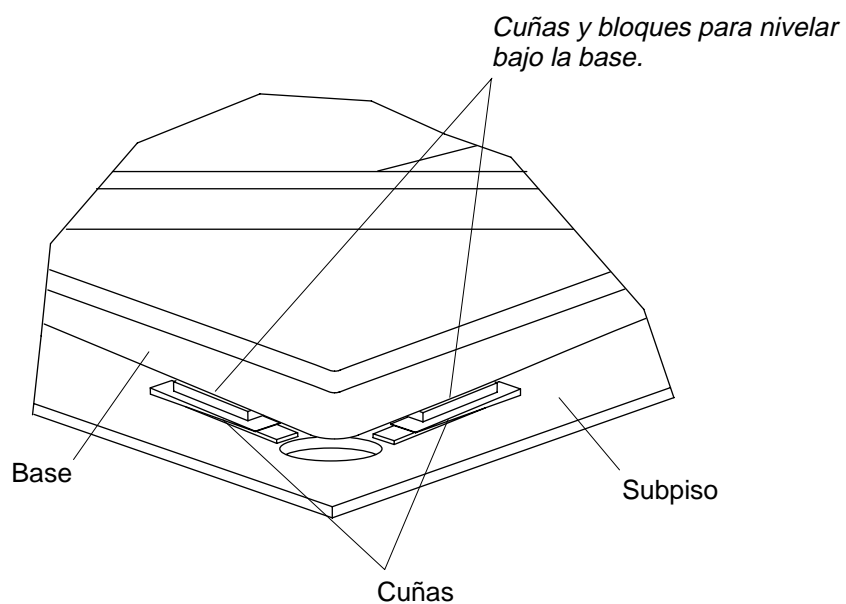
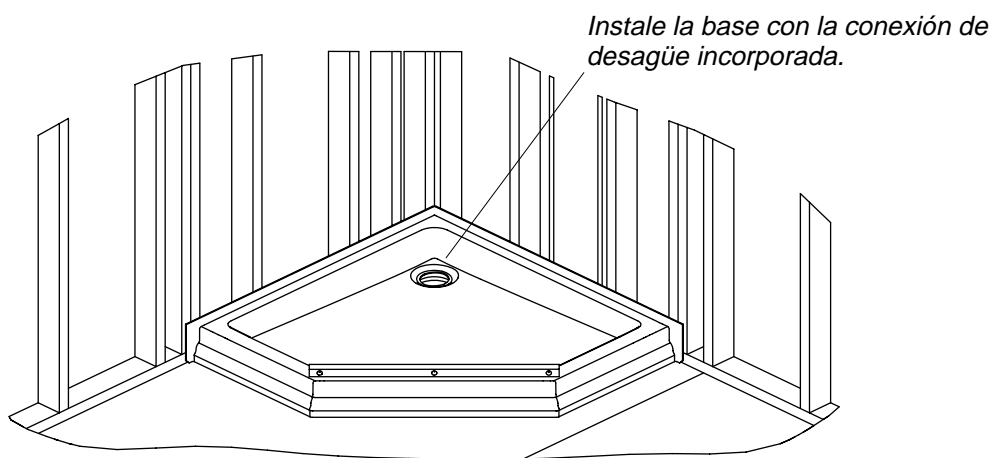
14. Estructura de postes para la base solamente

¡IMPORTANTE! Consulte las instrucciones de instalación de la puerta de la ducha para toda consideración especial de la estructura.

- Examine los diagramas de instalación y de la estructura.

15. Instalación de la plomería

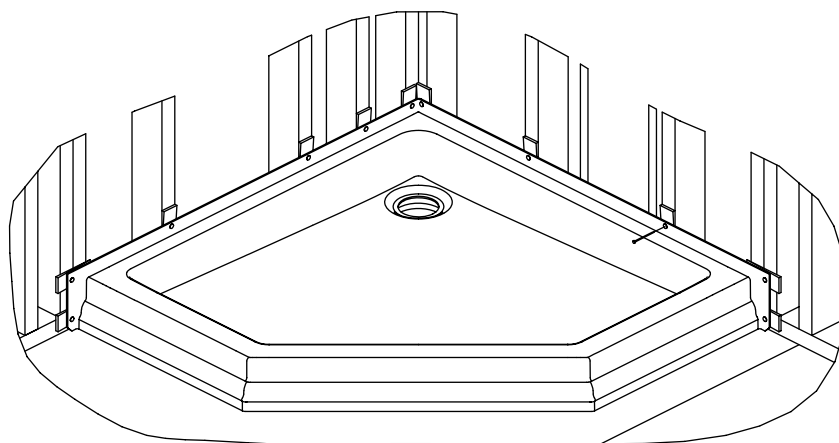
- Ubique el desagüe siguiendo las instrucciones del fabricante. Mida y corte la abertura para el orificio de desagüe en el piso e instale las tuberías de desagüe.
- La plomería básica debe estar instalada antes de colocar la unidad.



Vista de la parte posterior de la base en el subpiso

16. Instale la base

- Monte e instale el desagüe según las instrucciones del fabricante.
- Desplace la base de la ducha al hueco de la estructura.
- Verifique que la unidad esté nivelada por los tres lados. Si la unidad no está nivelada, tendrá que acuar la parte posterior de la base lo suficiente para nivelar la unidad.
- Perfore los rebordes de clavado laterales y posteriores por el centro de los postes alrededor de la base. No clave la base en este momento.



17. Fije la base a la estructura de postes

NOTA: Si la unidad está acuada, asegúrese de que la longitud de las fijaciones sea suficiente para cubrir las cuñas y penetrar en los postes al menos 1" (2,5 cm).

- Clave las esquinas de la base en su lugar mediante clavos grandes galvanizados del n° 6 (no incluidos) para sujetar la unidad.
- Acuñe la base según sea necesario en cada uno de los postes restantes y termine de clavar la base en los orificios taladrados.

NOTA: Las paredes acabadas deben instalarse de forma que queden lo más a plomo posible. Si las paredes acabadas no están a plomo, la instalación de la puerta de la ducha se verá perjudicada.

- Termine de instalar las paredes acabadas.

USA: 1-800-4-KOHLER
Canada: 1-800-964-5590
México: 001-877-680-1310

kohler.com

THE BOLD LOOK
OF **KOHLER**®

©2005 Kohler Co.

1024937-2-C