

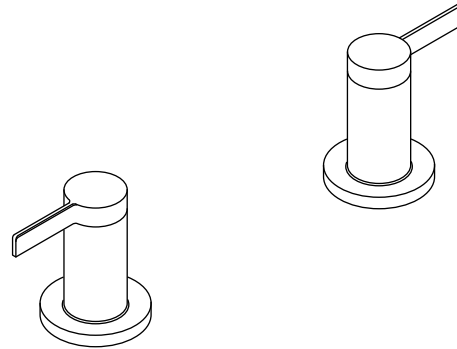
**Features**

- Brass construction
- Bath-, deck- or wall-mount

**Codes/Standards Applicable**

Specified model meets or exceeds the following:

- ASME A112.18.1/CSA B125.1



**Colors/Finishes**

- CP: Polished Chrome
- Other: Refer to Price Book for additional colors/finishes

**Accessories**

- CP: Polished Chrome
- Other: Refer to Price Book for additional colors/finishes
- NA: None applicable

**Specified Model**

| Model    | Description | Colors/Finishes             |                                     |
|----------|-------------|-----------------------------|-------------------------------------|
| K-T955-4 | Valve trim  | <input type="checkbox"/> CP | <input type="checkbox"/> Other_____ |

| Required Accessories |   |                             |
|----------------------|---|-----------------------------|
| K-300-K              | 1/2" high-flow ceramic disc valve system <b>OR</b>                        | <input type="checkbox"/> NA |
| K-300-KR             | 1/2" high-flow ceramic disc valve system with rigid connections <b>OR</b> | <input type="checkbox"/> NA |
| K-301-K              | 3/4" high-flow ceramic disc valve system <b>OR</b>                        | <input type="checkbox"/> NA |
| K-302-K              | 2-handle 1/2" high-flow ceramic disc valve system                         | <input type="checkbox"/> NA |

**Product Specification**

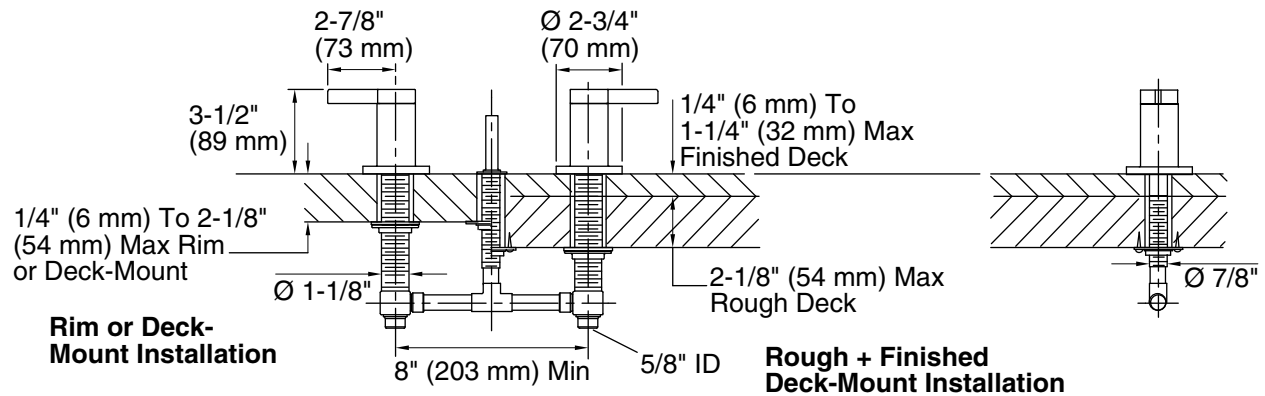
Two-handle bath-, deck- or wall-mount high-flow bath faucet trim shall be of brass construction. Valve trim shall be Kohler Model K-T955-4-\_\_\_\_\_ and valve system shall be Kohler Model K-\_\_\_\_\_-\_\_\_\_\_-NA.

# STILLNESS®

| Optional Accessories |  |                             |                                     |
|----------------------|--|-----------------------------|-------------------------------------|
| K-956                | Stillness® deck-mount non-diverter spout                                 | <input type="checkbox"/> CP | <input type="checkbox"/> Other_____ |
| 58598                | Deep roughing-in kit for high-flow deck-mount bath faucets (all handles) | <input type="checkbox"/> CP | <input type="checkbox"/> Other_____ |
| 73102                | Deep roughing-in kit for high-flow deck-mount bath faucets (all handles) | <input type="checkbox"/> NA |                                     |

## Installation Notes

Install this product according to the installation guide.



## Product Diagram