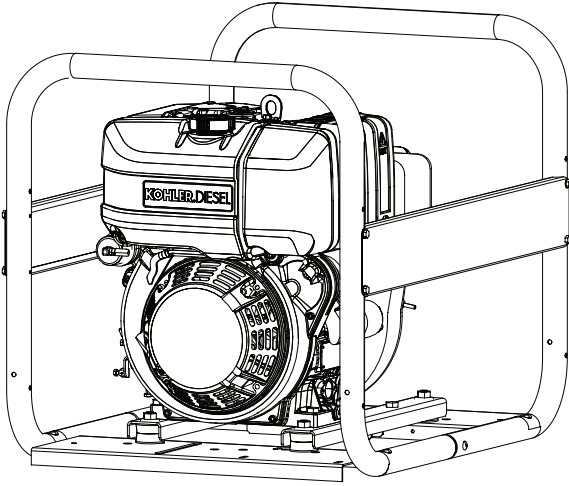


TP 4.0 D

Trash Pump Owner's Manual



IMPORTANT: Read all safety precautions and instructions carefully before operating equipment.

Ensure unit is stopped and level before performing any maintenance or service.

Record product information to reference when ordering parts or obtaining warranty coverage.

Specification _____

Serial Number _____

Purchase Date _____

⚠ WARNING: This Product can expose you to chemicals, including carbon monoxide and benzene, which are known to the State of California to cause cancer and birth defects or other reproductive harm.

For more information go to

www.P65warnings.ca.gov

⚠ WARNING: Breathing diesel engine exhaust exposes you to chemicals known to the State of California to cause cancer and birth defects or other reproductive harm.

- Always start and operate the engine in a well-ventilated area.
- If in an enclosed area, vent the exhaust to the outside.
- Do not modify or tamper with the exhaust system.
- Do not idle the engine except as necessary.

For more information go to


www.P65warnings.ca.gov/diesel


Safety Precautions

⚠ WARNING: A hazard that could result in death, serious injury, or substantial property damage.


⚠ CAUTION: A hazard that could result in minor personal injury or property damage.

NOTE: is used to notify people of important installation, operation, or maintenance information.


	<p>⚠ CAUTION</p> <p>Electrical Shock can cause injury. Do not touch wires while engine is running.</p>
<p>Never operate pump in rain or snow.</p> <p>Never touch pump with wet hands or electrical shock will occur.</p>	

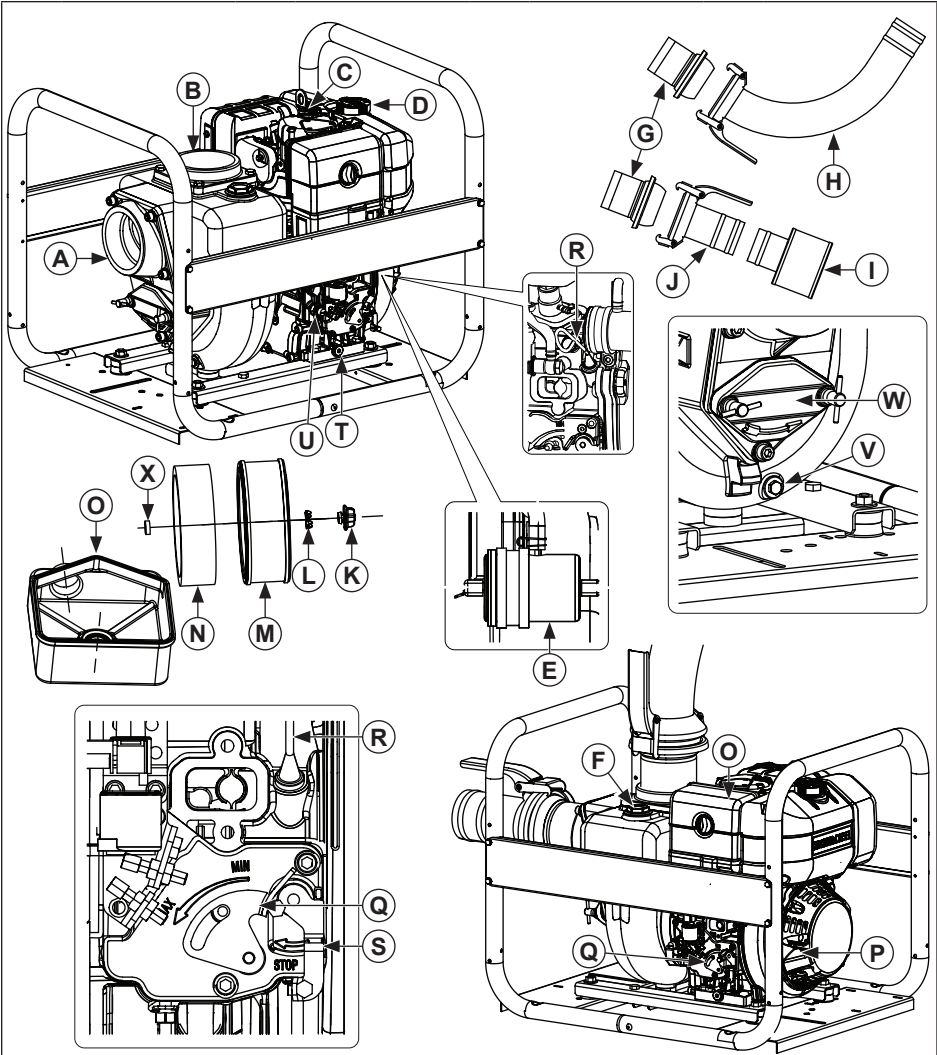
	<p>⚠ WARNING</p> <p>Fuel can cause fires and severe burns. Do not fill fuel tank while engine is hot or running.</p>
<p>Fuel is flammable and its vapors can ignite. Store fuel only in approved containers, in well ventilated, unoccupied buildings. Do not fill fuel tank while engine is hot or running, since spilled fuel could ignite if it comes in contact with hot parts or sparks from ignition. Do not start engine near spilled fuel. Never use fuel as a cleaning agent.</p>	

	<p>⚠ WARNING</p> <p>Hot Parts can cause severe burns. Do not touch engine while operating or just after stopping.</p>
<p>Never operate pump with heat shields or guards removed. Do not modify pump.</p> <p>Place pump in a place where pedestrians or children are not likely to touch pump.</p> <p>Be sure to carry pump only by its carrying handles.</p>	

	<p>⚠ WARNING</p> <p>High Pressure Fluids can puncture skin and cause severe injury or death. Do not work on fuel system without proper training or safety equipment.</p>
<p>Fluid puncture injuries are highly toxic and hazardous. If an injury occurs, seek immediate medical attention.</p>	

	<p>⚠ WARNING</p> <p>Rotating Parts can cause severe injury. Stay away while pump is in operation.</p>
<p>Keep hands, feet, hair, and clothing away from all moving parts to prevent injury. Never operate pump with covers, shrouds, or guards removed.</p>	

	⚠ WARNING
	Carbon Monoxide. Can cause severe nausea, fainting or death. Avoid inhaling exhaust fumes. Only use product outdoors.
<p>Engine exhaust gases contain poisonous carbon monoxide.</p> <p>Carbon monoxide is odorless, colorless, and can cause death if inhaled.</p>	



A	Pump Suction Port	B	Pump Discharge Port	C	Oil Fill Cap	D	Fuel Cap
E	Fuel Filter	F	Pump Filler Cap	G	Discharge Half-Couplings	H	Discharge Coupling Elbow
I	Suction Strainer	J	Straight Suction Half-Coupling	K	Air Cleaner Cover Nut	L	Wing Nut
M	Paper Element	N	Precleaner	O	Air Cleaner Cover	P	Recoil Starter Handle
Q	Speed Control Lever	R	Dipstick	S	Stop Lever	T	Oil Drain Plug
U	Oil Filter Holder Screw	V	Pump Drain Plug	W	Inspection Flap	X	Rubber Seal

Pre-Start Checklist

1. Ensure pump is at least 3.3 ft. (1 m) from building or other equipment.
2. Place pump on a flat sturdy surface. Select a clean location, ventilated and protected from inclement weather. Select a location which will not impede movement of people or vehicles.
3. Make sure pump remains stable and immobile while in operation. Do not forget that suction hose tends to pull pump towards water source during pumping.
4. Place pump as close as possible to liquid being drawn in. A shorter vertical distance between pump and liquid surface will yield more rapid priming and greater volume of liquid pumped. If pump is operated beside a pit or body of water, be sure it is well anchored so it does not fall in.
5. Submerge suction strainer (I) completely within liquid, taking care that it is not blocked.
6. Refer to all warning labels prior to starting.
7. Check oil level. Add oil if low. Do not overfill.
8. Check fuel level. Add fuel if low. Check fuel system components and lines for leaks. Never refuel while unit is running.
9. Check that air cleaner components and all air inlets are unobstructed, equipment covers, and guards are in place and securely fastened.

NOTE: Never attempt to operate pump without EN priming water or pump will overheat. Extended dry operation will destroy mechanical seal.

If unit has been operated dry, stop engine immediately and allow pump to cool before adding priming water.

NOTE: Always use a suction strainer (I) with suction hose. Gravel or debris sucked into pump will cause serious damage to impeller and pump casting.


NOTE: Pump is not designed for on-board use. Do not use it while installed on a vehicle.


Do not leave pump inside vehicle or in trunk.

When operating or transporting pump, be sure it is kept upright. If it tilts, fuel may leak from fuel tank.

1. Immerse suction strainer (I) completely in liquid that is to be sucked up. If there is a risk that it could become blocked up, then place suction strainer (I) on a stone base.
2. Fill body of pump with water via pump discharge port (B) or through pump filler cap (F).
3. Connect two discharge half-couplings (G) and straight suction half-couplings (J).
4. Set speed control lever (Q) to MIN position.
5. Slowly pull on recoil starter handle (P) once until resistance is encountered, then allow it to gently return.
6. Then pull rapidly and vigorously on recoil starter handle (P) until engine starts up. If engine does not start, repeat operation until engine starts.

Starting

	⚠ WARNING
	Carbon Monoxide. Can cause severe nausea, fainting or death. Avoid inhaling exhaust fumes. Only use product outdoors.
Engine exhaust gases contain poisonous carbon monoxide. Carbon monoxide is odorless, colorless, and can cause death if inhaled.	

	⚠ WARNING
	Rotating Parts can cause severe injury. Stay away while pump is in operation.
Keep hands, feet, hair, and clothing away from all moving parts to prevent injury. Never operate pump with covers, shrouds, or guards removed.	

Cold Weather Starting

NOTE: Ensure water in pump body is not frozen before starting.

When starting pump in low ambient temperatures, allow engine to idle before increasing flow of liquid. Follow chart for temperature and time.

≤ -4° F (≤ -20° C)	5 minutes
-4° to 14° F (-20° to -10° C)	2 minutes
14° to 23° F (-10° to -5° C)	1 minutes
≥ 41° F (≥ 5° C)	20 seconds

Operation



WARNING

Rotating Parts can cause severe injury.

Stay away while pump is in operation.

Keep hands, feet, hair, and clothing away from all moving parts to prevent injury. Never operate pump with covers, shrouds, or guards removed.

NOTE: If there is no flow of liquid through pump, stop it and check suction circuit (suction strainer (I), pipes and inspection flap (W)).

NOTE: Avoid placing any flammable materials near exhaust outlet during operation.
Do not place any material on pump during operation.

Pump controls flow of liquid in accordance with its running speed. Pump engine is equipped with a speed control lever (Q) that enables flow from pump to be controlled.

Flow from pump also depends on suction and discharge elevation heads and on quality of liquid that is being pumped (clean / muddy water).

1. Loosen speed control lever (Q) wing nut.
2. Move position of speed control lever (Q) (MAX to increase flow, MIN to reduce it).
3. Tighten speed control lever (Q) wing nut.

Angle of Operation

Do not operate this engine exceeding maximum angle of operation; see specification table. Engine damage could result from insufficient lubrication.

Stopping

1. Activate stop lever (S).
2. Pump stops.
3. Disconnect suction and discharge pipes and allow liquid to flow out.
4. If pump is not used again on same day, rinse it out.

Rinsing

After pump has stopped and cooled down.

1. Fill pump body with clean water via pump discharge port (B) or through pump filler cap (F).
2. Slowly pull on recoil starter handle (P) several times until resistance is encountered and then allow it to return gently.
3. Unscrew and remove pump drain plug (V) from pump and allow water to flow out.
4. Screw pump drain plug (V) back into position.
5. Repeat operation if necessary.
6. Open inspection flap (W), remove any dirt if necessary and rinse thoroughly with clean water.
7. Close inspection flap (W).
8. Clean suction strainer (I), remove any dirt if necessary and rinse with clean water.

Engine Speed

NOTE: Do not tamper with governor setting to increase maximum engine speed. Overspeed is hazardous and will void warranty.

Maintenance Instructions

All maintenance operations are to be carried out as described in maintenance table. Their frequency is given for your information, for pumps operating with fuel or oil in accordance with specifications given in this manual.

If pump is used under extreme conditions, reduce interval between maintenance operations.

Maintenance Schedule

After first 50 Hours of operation

- Change oil and filter.

Every 250 Hours¹

- Change oil and filter.
- Clean or replace air cleaner.
- Clean pump.

Every 500 Hours or Annually¹

- Replace fuel filter (E).
- Clean fuel tank.
- Clean spark arrester.

Every 500 Hours²

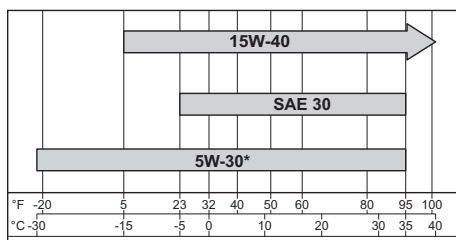
- Set and clean injectors.
- Have valve lash checked/adjusted.

¹ Perform these procedures more frequently under severe, dusty, dirty conditions.

² Have a Kohler portable dealer perform this service.

Oil Recommendations

We recommend use of Kohler oils for best performance. Other high-quality detergent oils (including synthetic) of API (American Petroleum Institute) service class CH-4 or higher are acceptable. Select viscosity based on air temperature at time of operation as shown in table below.



* Synthetic base oil.

Check Oil Level

Ensure engine oil level is between upper and lower limit of dipstick (R). Add oil as necessary.

1. Remove dipstick (R) and wipe it.
2. Put back dipstick (R) then take it out again. Visually check level, it must be between upper limit of dipstick (R) & lower limit of dipstick (R).
3. Fill if necessary using a funnel.
4. Put dipstick (R) back in place.
5. Check that there are no leaks.
6. Wipe off excess oil with a clean cloth.

Change Oil and Filter

NOTE: Drain engine oil into an approved container. Never drain or spill engine oil onto floor.

NOTE: If necessary, a second oil drain plug (T) is available on other side of engine.


Change oil while engine is warm.

1. Clean area around oil fill cap (C). Remove oil drain plug (T) and oil fill cap (C). Allow oil to drain completely.
2. Reinstall oil drain plug (T).
3. With a hex key, remove oil filter holder screws (U). Remove oil filter and discard it.
4. Clean oil filter holder and apply clean engine oil onto oil filter joint.
5. Install new oil filter. Thread oil filter holder screws (U) into oil filter holder and tighten.
6. Fill crankcase with new oil. Level should be at top of indicator on dipstick (R).
7. Reinstall oil fill cap (C) and tighten securely.
8. Start engine; check for oil leaks. Stop engine; correct leaks. Recheck oil level.
9. Dispose of used oil in accordance with local ordinances.

Assembly of Pipes

1. Place an airtight band around thread of half-couplings.
2. With help of a strap pipe wrench, screw suction and discharge half-couplings (G) into pump suction (A) and discharge (B) ports.
3. Using collars, secure pipes onto straight suction half-coupling (J) and discharge coupling elbow (H).
4. Install suction strainer (I) into end of suction pipe.


Fuel Recommendations

	<p>⚠ WARNING</p> <p>Fuel can cause fires and severe burns.</p> <p>Do not fill fuel tank while engine is hot or running.</p>
<p>Fuel is flammable and its vapors can ignite. Store fuel only in approved containers, in well ventilated, unoccupied buildings. Do not fill fuel tank while engine is hot or running, since spilled fuel could ignite if it comes in contact with hot parts or sparks from ignition. Do not start engine near spilled fuel. Never use fuel as a cleaning agent.</p>	

Fuel must meet these requirements:

- Clean, fresh, commercial-grade diesel fuel.
- ASTM D-975 - 1D or 2D, EN590, or equivalent.
- Biodiesel fuels less than 20% methyl ester or B20 are acceptable. Fuels meeting specification of BQ-9000, EN 14214 or equivalent are recommended.
- Aviation fuels include JP5, JP4, JP8 and, JET-A (if 5% oil is added).
- Do not overfill fuel tank.


Check Fuel Level

	<p>⚠ WARNING</p> <p>Fuel can cause fires and severe burns.</p> <p>Do not fill fuel tank while engine is hot or running.</p>
<p>Fuel is flammable and its vapors can ignite. Store fuel only in approved containers, in well ventilated, unoccupied buildings. Do not fill fuel tank while engine is hot or running, since spilled fuel could ignite if it comes in contact with hot parts or sparks from ignition. Do not start engine near spilled fuel. Never use fuel as a cleaning agent.</p>	

Ensure engine is cool.

1. Clean area around fuel cap (D).
2. Remove fuel cap (D). Fill to base of filler neck. Do not overfill fuel tank. Leave room for fuel to expand.
3. Reinstall fuel cap (D) and tighten securely.

Fuel Filter

	<p>⚠ WARNING</p> <p>High Pressure Fluids can puncture skin and cause severe injury or death.</p> <p>Do not work on fuel system without proper training or safety equipment.</p>
<p>Fluid puncture injuries are highly toxic and hazardous. If an injury occurs, seek immediate medical attention.</p>	

NOTE: Fuel will run out during this operation; provide an appropriate container.

1. Close fuel valve.
2. Remove fuel filter (E) by removing hose clips and loosening screw on retaining clip.
3. Install new fuel filter (E), by tightening screw on retaining clip.
4. Reconnect hoses, securing them with clips.
5. Wipe away any traces of fuel with a clean cloth and check that there are no leaks.

Cleaning Pump

1. Clean pump, especially air inlets and outlets of engine with a cloth and a brush.
2. Check general condition of pump and replace defective parts.

Air Cleaner

NOTE: Operating engine with loose or damaged air cleaner components could cause premature wear and failure. Replace all bent or damaged components.

NOTE: Paper element (M) cannot be blown out with compressed air.

Loosen air cleaner cover nut (K) and remove air cleaner cover (O).

Pre-cleaner:


1. Remove pre-cleaner (N) from paper element (M).
2. Replace or wash pre-cleaner (N) in warm water with detergent. Rinse and allow to air dry.
3. Saturate pre-cleaner (N) with new engine oil; squeeze out excess oil.
4. Reinstall pre-cleaner (N) over paper element (M).

Paper Element:

1. Clean area around paper element (M). Remove wing nut (L) and paper element (M) with pre-cleaner (N).
2. Separate pre-cleaner (N) from paper element (M); service pre-cleaner (N) and replace paper element (M).
3. Check condition of rubber seal (X) and replace if necessary.
4. Install new paper element (M) on base; install pre-cleaner (N) over paper element (M) and secure with wing nut (L).

Reinstall air cleaner cover (O) and secure with air cleaner cover nut (K).

Air Cooling

	<p>WARNING</p> <p>Hot Parts can cause severe burns.</p> <p>Do not touch engine while operating or just after stopping.</p>
<p>Never operate pump with heat shields or guards removed. Do not modify pump.</p> <p>Place pump in a place where pedestrians or children are not likely to touch pump.</p> <p>Be sure to carry pump only by its carrying handles.</p>	

Proper cooling is essential. To prevent over heating, clean screens, cooling fins, and other external surfaces of engine. Avoid spraying water at wiring harness or any electrical components. See Maintenance Schedule.

Repairs/Service Parts

We recommend that you use a Kohler portable dealer for all maintenance, service, and replacement parts for engine. To find a Kohler portable dealer visit KohlerPower.com or call 1-800-544-2444 (U.S. and Canada).

Transporting Pump

Before transporting pump, check that bolts are correctly tightened, close fuel valve. Pump should be transported in its normal operating position; never lay it on its side. Ensure where pump is to be stored or used is carefully prepared beforehand.

Storage

If pump is not used for a long period of time, storage operations should be carried out as per instructions below.

NOTE: Never operate pump without filling pump body with water and immersing suction strainer (I) in water beforehand.

1. Replace fuel filter (E).
2. Add STP® Diesel Fuel Injector Treatment to fuel following directions on bottle.
3. Start engine, ensure there are no fuel leaks and then stop engine.
4. While engine is still warm, change oil and replace oil filter.
5. Clean pre-cleaner (N).
6. Using clean water rinse pump and pipes thoroughly.
7. Clean outside of pump and apply a rust-prevention product to any worn or damaged areas.
8. Cover pump with a protective cover to protect it against dust and store it in a clean and dry place.

Troubleshooting

Do not attempt to service or replace major engine components, or any items that require special timing or adjustment procedures. This work should be performed by a Kohler portable dealer.

Possible Cause	Problem			
	Engine Not Starting	Engine Stopped	Automatic Priming Fault	Low Flow
Air cleaner blocked	•	•		
Fuel level too low	•	•		
Blocked fuel filter (E)	•	•		
Fuel supply blocked or leaking	•	•		
Level of liquid being pumped is too low			•	
Water level too low in pump body			•	
Intake is blocked			•	
Half-couplings not making an airtight connection			•	
Inadequate tightening of pump drain plug (V)			•	
Air in suction circuit			•	
Engine speed control lever (Q) set to MIN position				•
Pipe too long or bent				•
Suction side is too high up				•
Pipes leaking				•
Clogging-up of impeller				•
Wearing of impeller				•
Damage to mechanical seal				•
Loss of engine power				•

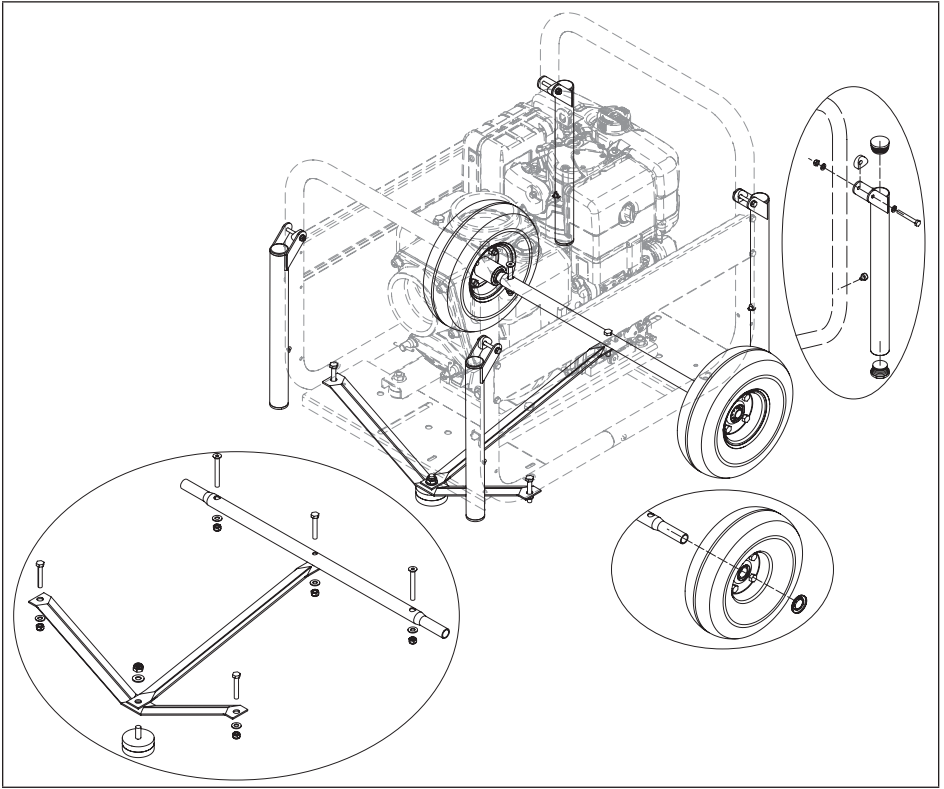
Specifications	
Model	TP 4.0 D
Overall Dimensions	28.2 in. (715 mm) Length 22.4 in. (570 mm) Width 23.2 in. (590 mm) Height
Suction and Discharge Size	4 in. (102 mm)
Dry Weight	198.4 lbs. (90 kg)
Maximum Flow Rate	476 gal./min. (1,800 l/min.)
Maximum Suction Head	26.2 ft. (8 m)
Maximum Lift Head	55.7 ft. (17 m)
Maximum Debris Size	1.1 in. (28 mm)

Engine Specifications	
Bore	3.2 in. (82 mm)
Stroke	2.6 in. (66 mm)
Displacement	21.3 cu. in. (349 cc)
Oil Capacity (Refill)	1.3 U.S. qt. (1.2 L)
Maximum Angle of Operation (@ full oil level)*	25°
Run Time	4.3 hr.
Fuel	See fuel section
Fuel Tank Capacity	1.1 gal. (4.3 L)
Noise Level	65-68 dB(A) @ 7 m

*Exceeding maximum angle of operation may cause engine damage from insufficient lubrication.

Exhaust Emission Control System for model TP 4.0 D is EM and DDI for U.S. EPA, California, and Europe.

Mobility Kit



Install Mobility Kit

NOTE: Place blocks underneath to raise pump to install wheels and legs.

NOTE: A clamping device or an assistant to hold assembly while installing kit will make process easier.

Mobility kit includes 2 solid rubber wheels, 1 center leg, 4 handles and mounting hardware.

Install Wheels and Center Leg:

1. Insert rubber bumper into cross member hole at center. Place axle brace onto cross member and rubber bumper with axle brace angled up. Insert washer and thread nut to rubber bumper. Tighten loosely.
2. Assemble cross member assembly to frame. Install screws through frame and cross member. Insert washer and thread locking nut to screw. Tighten loosely.
3. Align middle hole in axle to axle brace. Install screw through axle and axle brace. Insert washer and thread locking nut to screw. Tighten loosely.

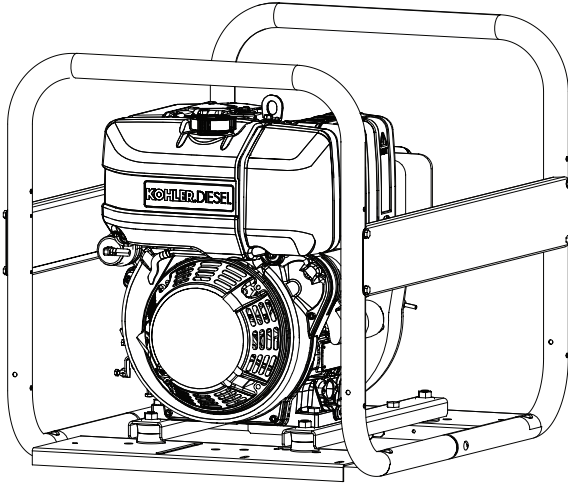
4. Align holes in axle to frame. Install screws through frame and axle. Insert washer and thread locking nut to screw. Tighten loosely.
5. Torque all nuts to 120 in. lb. (13.6 N-m). Tighten locking nut for axle and axle brace first to ensure enough room between axle and frame.
6. Install wheels onto axle, push retaining rings onto axle.

Install Handle:

1. Align handle with holes on frame.
2. Install screw with washers through handle into frame. Place curved spacer on opposite side of frame between handle and frame, while pushing screw through. Place another washer outside of handle and thread nut on.
3. Tighten screws enough to allow handle to move free.

TP 4.0 D

Manual del propietario de la bomba de residuos



IMPORTANTE: Lea atentamente todas las instrucciones y precauciones de seguridad antes de poner el equipo en funcionamiento.

Asegúrese de que la unidad está parada y nivelada antes de realizar tareas de mantenimiento o reparación.

Registre la información del producto con el fin de consultarla para realizar pedidos de piezas o para obtener la cobertura de la garantía.

Especificación _____

Número de serie _____

Fecha de compra _____

⚠ ADVERTENCIA: Este producto puede exponer a sustancias químicas, monóxido de carbono y benceno incluídas, indicadas por el estado de California como causantes de cáncer, defectos de nacimiento u otros daños reproductivos.

Para obtener información adicional, consulte

www.P65warnings.ca.gov

⚠ ADVERTENCIA: El hecho de respirar el escape de motores diésel expone a sustancias químicas indicadas por el estado de California como causantes de cáncer, defectos de nacimiento u otros daños reproductivos.

- Ponga en marcha y utilice el motor siempre en una zona bien ventilada.
- En una zona cerrada, dirija el escape al exterior.
- No modifique ni manipule el sistema de escape.
- No ponga el motor al ralentí a menos que sea necesario.

Para obtener información adicional, consulte

www.P65warnings.ca.gov/diesel


Precauciones de seguridad


⚠ ADVERTENCIA: Un peligro que podría provocar la muerte, lesiones graves o daños materiales considerables.


⚠ PRECAUCIÓN: Un peligro que podría provocar lesiones personales o daños materiales de poca gravedad.


NOTA: Se utiliza para notificar al personal sobre información importante para la instalación, el funcionamiento o el mantenimiento

	⚠ PRECAUCIÓN
<p>Las descargas eléctricas pueden provocar lesiones.</p> <p>No toque los cables con el motor en funcionamiento.</p>	
<p>No utilice nunca la bomba bajo la lluvia o la nieve.</p> <p>No toque nunca la bomba con las manos mojadas, ya que se produciría una descarga eléctrica.</p>	


	⚠ ADVERTENCIA
<p>Las piezas calientes pueden causar quemaduras graves.</p> <p>No toque el motor durante el funcionamiento o inmediatamente después de pararse.</p>	
<p>No ponga nunca la bomba en funcionamiento con las protecciones térmicas desmontadas. No modifique la bomba.</p> <p>Coloque la bomba en un lugar donde no la vayan a tocar los peatones ni los niños.</p> <p>Asegúrese de transportar la bomba por sus asas de transporte únicamente.</p>	

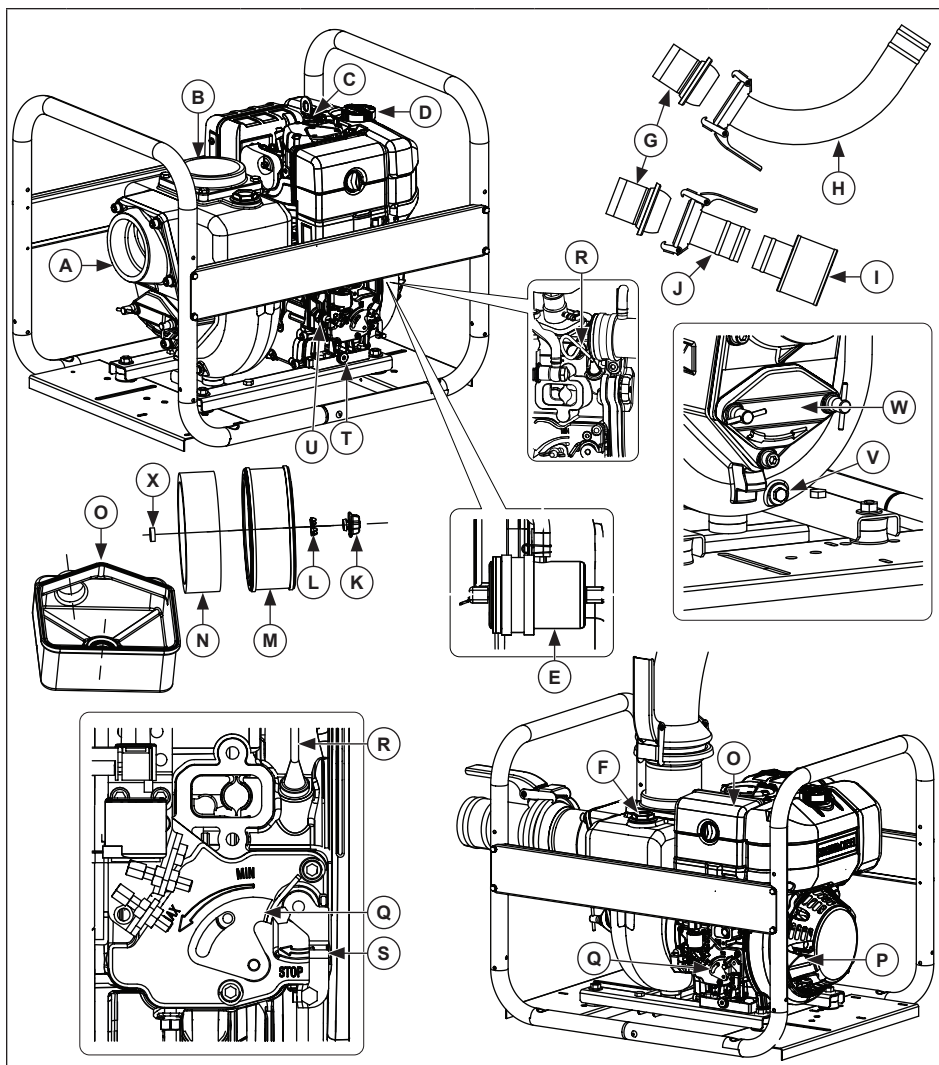
	⚠ ADVERTENCIA
<p>Las piezas rotatorias pueden causar lesiones graves.</p> <p>Manténgase alejado de la bomba cuando esté en funcionamiento.</p>	
<p>Para evitar lesiones, mantenga las manos, los pies, el pelo y la ropa alejados de las piezas en movimiento. No ponga nunca la bomba en funcionamiento con las cubiertas, revestimientos térmicos o protecciones desmontadas.</p>	

	⚠ ADVERTENCIA
<p>Los líquidos a alta presión pueden perforar la piel y provocar lesiones graves o la muerte.</p> <p>No trabaje en el sistema de combustible sin una formación o el equipo de seguridad adecuado.</p>	
<p>Las lesiones por perforación de líquidos son muy tóxicas y peligrosas. Si se produce cualquier lesión, pida asistencia sanitaria inmediatamente.</p>	

	<p>⚠ ADVERTENCIA</p> <p>El combustible puede provocar incendios y quemaduras graves.</p> <p>No llene el tanque de combustible con el motor en funcionamiento o caliente.</p>
<p>El combustible es inflamable y sus vapores pueden encenderse. Guarde el combustible en contenedores aprobados, en áreas bien ventiladas y desocupadas. No llene el tanque de combustible con el motor en funcionamiento o caliente, pues si el combustible derramado entra en contacto con las piezas calientes del motor o las chispas de encendido, se puede inflamar. No arranque el motor si hay combustible derramado cerca. No utilice nunca combustible como agente de limpieza.</p>	

Etiqueta importante en la bomba

	<p>⚠ WARNING</p> <p>Carbon Monoxide. Can cause severe nausea, fainting or death.</p> <p>Avoid inhaling exhaust fumes. Only use product outdoors.</p>
<p>Engine exhaust gases contain poisonous carbon monoxide.</p> <p>Carbon monoxide is odorless, colorless, and can cause death if inhaled.</p>	



A	Puerto de succión de la bomba	B	Puerto de descarga de la bomba	C	Tapón de llenado de aceite	D	Tapón de combustible
E	Filtro de combustible	F	Tapón del depósito de la bomba	G	Semicoples de descarga	H	Codo del cople de descarga
I	Filtro de succión	J	Semicople de succión directa	K	Tuerca de la tapa del filtro de aire	L	Tuerca de mariposa
M	Filtro de papel	N	Prefiltro	O	Tapa del filtro de aire	P	Manivela del motor de arranque de retroceso
Q	Palanca de control de velocidad	R	Varilla de nivel	S	Palanca de paro	T	Tapón de drenaje del aceite
U	Filtro de aceite Tornillos del soporte	V	Tapón de drenaje de la bomba	W	Tapa de inspección	X	Sello de goma

Listado de control previa al arranque

1. Asegúrese de que la bomba se encuentre por lo menos a 1 m (3.3 pies) de distancia de otro equipo.
2. Coloque la bomba en una superficie lisa y fuerte. Seleccione un lugar limpio, ventilado y protegido de las inclemencias del tiempo. Seleccione un lugar que no impida el movimiento de las personas ni los vehículos.
3. Asegúrese de que la bomba permanezca estable y no se mueva durante la operación. No olvide que la manguera de succión tiende a jalar la bomba hacia la fuente del agua durante el bombeo.
4. Coloque la bomba lo más cerca posible al líquido que va a absorber. Una distancia vertical más corta entre la bomba y la superficie del líquido producirá un cebado más rápido y un volumen más grande de líquido bombeado. Si opera la bomba a un lado de un foso o caudal de agua, asegúrese de que esté bien anclada de manera que no caiga adentro.
5. Sumerja el filtro de succión (I) completamente dentro del líquido, teniendo cuidado de que no esté bloqueado.
6. Consulte todas las etiquetas de advertencia antes de poner en marcha.
7. Comprobar el nivel de aceite. Añada aceite si está bajo. No rellene por encima del límite.
8. Compruebe el nivel de combustible. Añada combustible si está bajo. Compruebe si los componentes y las tuberías del sistema de combustible presentan alguna fuga. No reposte nunca con la unidad en funcionamiento.
9. Verifique que los componentes del filtro de aire y todas las entradas de aire están libres de obstrucciones, y que las cubiertas y protecciones del equipo están en su sitio y bien sujetas.

NOTA: Nunca intente operar la bomba sin el agua de cebado o la bomba se calentará. La operación de secado por periodos largos destruirá el sello mecánico.

ESS

Si la unidad operó en seco, pare el motor inmediatamente y permita que la bomba se enfríe antes de añadir el agua de cebado.

NOTA: Siempre use un filtro de succión (I) con manguera de succión. La grava o los desechos que absorba la bomba causarán un daño grave al rotor y al armazón de la bomba.



NOTA: La bomba no está diseñada para uso a bordo. No la use mientras se encuentre instalada en un vehículo.


No deje la bomba adentro de un vehículo ni en la cajuela.

Cuando opere o transporte la bomba, asegúrese de mantenerla recta. Si se inclina, se puede fugar combustible del tanque.

1. Sumerja completamente el filtro de succión (I) en el líquido que se va a aspirar. Si existe el riesgo de que se vaya a bloquear, entonces ponga el filtro de succión (I) en una base de piedra.
2. Llene el cuerpo de la bomba con agua mediante el puerto de descarga (B) o a través de la tapa del tanque (F).
3. Conecte dos semicoples de descarga (G) y los semicoples de succión directa (J).
4. Fije la palanca de control de velocidad (Q) en la posición MIN.
5. Jale lentamente la manivela del motor de arranque de retroceso (P) hasta encontrar resistencia, después permítale regresar suavemente.
6. Luego jale rápida y vigorosamente la manivela del motor de arranque de retroceso (P) hasta que arranque el motor. Si el motor no arranca, repita la operación hasta lograrlo.

Arranque

	 ADVERTENCIA
	El monóxido de carbono puede causar náuseas graves, desmayo o la muerte. Evite inhalar el humo de escape. Utilice el producto únicamente al aire libre.
Los gases de escape del motor contienen monóxido de carbono tóxico. El monóxido de carbono es inodoro e incoloro y puede causar la muerte si se inhala.	

	 ADVERTENCIA
	Las piezas rotatorias pueden causar lesiones graves. Manténgase alejado de la bomba cuando esté en funcionamiento.
Para evitar lesiones, mantenga las manos, los pies, el pelo y la ropa alejados de las piezas en movimiento. No ponga nunca la bomba en funcionamiento con las cubiertas, revestimientos térmicos o protecciones desmontados.	



Arranque en tiempo frío

NOTA: Asegúrese de que el agua que está en el cuerpo de la bomba no esté congelada antes de arrancar.

Cuando arranque la bomba en temperaturas bajas, permita que el motor funcione al ralentí antes de incrementar el flujo del líquido. Siga la tabla para temperatura y tiempo.

$\leq -20^{\circ}\text{C}$ ($\leq -4^{\circ}\text{F}$)	5 minutos
$-20^{\circ}\text{ a } -10^{\circ}\text{C}$ ($-4^{\circ}\text{ a } 14^{\circ}\text{F}$)	2 minutos
$-10^{\circ}\text{ a } -5^{\circ}\text{C}$ ($14^{\circ}\text{ a } 23^{\circ}\text{F}$)	1 minutos
$\geq 5^{\circ}\text{C}$ ($\geq 41^{\circ}\text{F}$)	20 segundos

Funcionamiento

	 ADVERTENCIA
	Las piezas rotatorias pueden causar lesiones graves. Manténgase alejado de la bomba cuando esté en funcionamiento.
Para evitar lesiones, mantenga las manos, los pies, el pelo y la ropa alejados de las piezas en movimiento. No ponga nunca la bomba en funcionamiento con las cubiertas, revestimientos térmicos o protecciones desmontados.	

NOTA: Si no hay flujo o líquido a través de la bomba, párela y revise el circuito de succión (filtro de succión (I), tubería y tapa de inspección (W)).

NOTA: Evite colocar cualquier material inflamable junta a la salida del escape durante la operación.

No coloque ningún material sobre la bomba durante la operación.

La bomba controla el flujo de líquido de acuerdo con su velocidad de ejecución. El motor de la bomba está equipado con una palanca de control de velocidad (Q) que permite controlar el flujo de la bomba.

El flujo de la bomba depende también de la succión y los cabezales de elevación de descarga y de la calidad del líquido que se va a bombear (agua limpia/fangosa).

1. Afloje la tuerca de mariposa de la palanca de control de velocidad (Q).
2. Mueva la posición de la palanca de control de velocidad (Q) (MAX para incrementar el flujo, MIN para reducirlo).
3. Apriete la tuerca de mariposa de la palanca de control de velocidad (Q).

Ángulo de funcionamiento

No haga funcionar el motor si supera el ángulo máximo de funcionamiento, consulte la tabla de especificaciones. El motor puede dañarse como resultado de una lubricación insuficiente.

Parada

1. Active la palanca de paro (S).
2. La bomba se para.
3. Desconecte los tubos de succión y descarga y permita que el líquido fluya hacia afuera.
4. Si no va a usar la bomba de nuevo ese día, enjuáguela.

Enjuague

Después que la bomba se haya parado y enfriado.

1. Llene el cuerpo de la bomba con agua limpia mediante el puerto de descarga (B) o a través de la tapa del tanque (F).
2. Jale lentamente la manivela del motor de arranque de retroceso (P) varias veces hasta encontrar resistencia, después permítale regresar suavemente.
3. Desatornille y quite el tapón de drenaje (V) de la bomba y permita que el agua fluya hacia afuera.
4. Atornille el tapón de drenaje de la bomba (V) en su posición.
5. Repita la operación de ser necesario.
6. Abra la tapa de inspección (W), quite cualquier basura que haya de ser necesario y enjuague completamente con agua limpia.
7. Cierre la tapa de inspección (W).
8. Limpie el filtro de succión (I), quite cualquier basura que haya de ser necesario y enjuague completamente con agua limpia.

Velocidad del motor

NOTA: No altere los ajustes del regulador para aumentar la velocidad máxima del motor. El exceso de velocidad es peligroso y anulará la garantía.

Instrucciones de mantenimiento

Todas las operaciones de mantenimiento se realizarán según lo descrito en la tabla de mantenimiento. Su frecuencia se da para su información, para las bombas que operan con combustible o aceite de acuerdo con las especificaciones que se dan en este manual.

ESS

Si la bomba se usa bajo condiciones extremas, disminuya el intervalo entre operaciones de mantenimiento.

Programa de mantenimiento

Después de las primeras 50 horas de funcionamiento

- Cambie el aceite y el filtro.

Cada 250 horas¹

- Cambie el aceite y el filtro.
- Limpie o cambie el filtro de aire.
- Limpie la bomba.

Una vez al año o cada 500 horas¹

- Reemplace el filtro de combustible (E).
- Limpie el tanque de combustible.
- Limpie el parachispas.

Cada 500 horas²

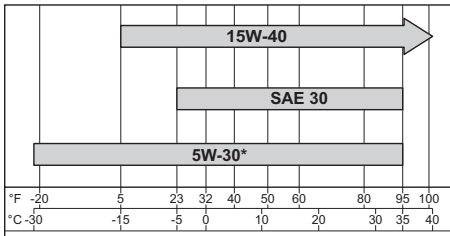
- Fije y limpie los inyectores.
- Compruebe y ajuste el juego de las válvulas.

¹ Estas operaciones de mantenimiento deberán ejecutarse con mayor frecuencia en ambientes muy polvorientos o sucios.

² Pida a un distribuidor móvil de Kohler que realice esta operación.

Recomendaciones de lubricante

Recomendamos el uso de un aceite de Kohler para obtener un mejor rendimiento. También se puede utilizar otro aceite detergente de alta calidad API (American Petroleum Institute) CH-4 o superior, incluidos los aceites sintéticos. Seleccione la viscosidad en función de la temperatura del aire durante el funcionamiento como se muestra en la tabla que aparece a continuación.



* Aceite de base sintética.

Comprobación del nivel de aceite

Asegúrese de que el nivel del aceite del motor se encuentre entre el límite superior e inferior de la varilla de nivel (R). Añada el aceite necesario.

1. Quite la varilla de nivel (R) y límpiela.
2. Vuelva a poner la varilla de nivel (R) y vuelva a sacarla. Revise visualmente el nivel, debe estar entre el límite superior y el inferior de la varilla de nivel (R).
3. Llène de ser necesario con un embudo.
4. Coloque la varilla de nivel (R) de nuevo en su lugar.
5. Compruebe que no haya fugas.
6. Quite el exceso de aceite con un trapo limpio.

Cambio del aceite y el filtro

NOTA: Drene el aceite del motor en un recipiente aprobado. Nunca drene ni derrame el aceite del motor sobre el suelo.

NOTA: De ser necesario, hay un segundo tapón de drenaje del aceite (T) al otro lado del motor.


Cambie el aceite con el motor caliente.

1. Limpie el área que rodea el tapón de llenado (C). Quite el tapón de drenaje (T) y el tapón de llenado de aceite (C). Deje que el aceite drene completamente.
2. Vuelva a instalar el tapón de drenaje del aceite (G).
3. Con una llave hexagonal, quite los tornillos del soporte del filtro del aceite (U). Quite el filtro del aceite y tírelo.
4. Limpie el soporte del filtro del aceite y aplique aceite para motor limpio en la junta del filtro.
5. Instale un filtro de aceite nuevo. Rosque los tornillos (U) del soporte del filtro del aceite y apriete.
6. Llène el cárter con aceite nuevo. El nivel debe situarse en la parte superior de la varilla de nivel (R).
7. Vuelva a colocar el tapón de llenado (C) y apriete firmemente.
8. Arranque el motor y compruebe si hay fugas de aceite. Detenga el motor y repare las fugas. Compruebe de nuevo el nivel de aceite.
9. Deseche el aceite usado en conformidad con las normativas locales.

Ensamble de la tubería

1. Coloque una banda hermética alrededor de la rosca de los semicoples.
2. Con la ayuda de una llave de correa para tubos, atornille los semicoples (G) de succión y descarga en los puertos de succión (A) y descarga (B) de la bomba.
3. Con collares, asegure la tubería en el semicople de succión directa (J) y el codo del cople de descarga (H).
4. Instale el filtro de succión (I) en el extremo del tubo de succión.


Recomendaciones de combustible

	<p>⚠ ADVERTENCIA</p> <p>El combustible puede provocar incendios y quemaduras graves.</p> <p>No llene el tanque de combustible con el motor en funcionamiento o caliente.</p>
<p>El combustible es inflamable y sus vapores pueden encenderse. Guarde el combustible en contenedores aprobados, en áreas bien ventiladas y desocupadas. No llene el tanque de combustible con el motor en funcionamiento o caliente, pues si el combustible derramado entra en contacto con las piezas calientes del motor o las chispas de encendido, se puede inflamar. No arranque el motor si hay combustible derramado cerca. No utilice nunca combustible como agente de limpieza.</p>	

El combustible debe cumplir con los siguientes requisitos:

- Combustible diesel limpio, fresco y de grado comercial.
- ASTM D-975 - 1D o 2D, EN590, o equivalente.
- Los combustibles biodiesel menos del 20% de éster metilo o B20 son aceptables. Se recomiendan los combustibles que cumplan con la especificación de BQ-9000, EN 14214 o equivalente.
- Los combustibles de aviación incluyen JP5, JP4, JP8 y JET-A (si se agrega 5% aceite).
- No llene el tanque de combustible por encima del límite.

Compruebe el nivel de combustible.

	<p>⚠ ADVERTENCIA</p> <p>El combustible puede provocar incendios y quemaduras graves.</p> <p>No llene el tanque de combustible con el motor en funcionamiento o caliente.</p>
<p>El combustible es inflamable y sus vapores pueden encenderse. Guarde el combustible en contenedores aprobados, en áreas bien ventiladas y desocupadas. No llene el tanque de combustible con el motor en funcionamiento o caliente, pues si el combustible derramado entra en contacto con las piezas calientes del motor o las chispas de encendido, se puede inflamar. No arranque el motor si hay combustible derramado cerca. No utilice nunca combustible como agente de limpieza.</p>	

Asegúrese de que el motor esté frío.

1. Limpie el área que rodea el tapón de combustible (D).
2. Quite el tapón de combustible (D). Llene hasta la base del cuello de llenado. No llene el tanque de combustible por encima del límite. Deje espacio para que se expanda el combustible.
3. Vuelva a instalar el tapón del combustible (D) y apriete bien.

Filtro de combustible

	<p>⚠ ADVERTENCIA</p> <p>Los líquidos a alta presión pueden perforar la piel y provocar lesiones graves o la muerte.</p> <p>No trabaje en el sistema de combustible sin una formación o el equipo de seguridad adecuado.</p>
<p>Las lesiones por perforación de líquidos son muy tóxicas y peligrosas. Si se produce cualquier lesión, pida asistencia sanitaria inmediatamente.</p>	

NOTA: El combustible se agotará durante esta operación; proporcione un contenedor adecuado.

1. Cierre de la válvula de combustible.
2. Quite el filtro de combustible (E) quitando las pinzas de la manguera y aflojando los tornillos en la pinza de retención.
3. Instale un filtro de combustible (E) nuevo, al apretar el tornillo en la pinza de retención.
4. Vuelva a conectar las mangueras, sosteniéndolas con las pinzas.
5. Limpie cualquier asomo de combustible con un trapo limpio y revise que no haya fugas.

Para limpiar la bomba

1. Limpie la bomba, especialmente las entradas y las salidas de aire del motor con un trapo y un cepillo.
2. Revise las condiciones generales de la bomba y reemplace las piezas defectuosas.

Filtro de aire

NOTA: El funcionamiento del motor con componentes del filtro de aire sueltos o dañados puede causar daños y desgaste prematuro. Sustituya todos los componentes doblados o dañados.

NOTA: El papel filtrante (M) no puede expulsarse con aire comprimido.

Afloje la tuerca (K) de la tapa del filtro de aire y quite la tapa del filtro de aire (O).

Prefiltro:


1. Extraiga el prefiltro (N) del papel filtrante (M).
2. Sustituya o lave el prefiltro (N) con agua templada y detergente. Aclárelo y déjelo secar al aire.
3. Engrase el prefiltro (N) con aceite nuevo y escurra el exceso de aceite.
4. Vuelva a instalar el prefiltro (N) sobre el papel filtrante (M).

Elemento de papel:

1. Limpie el área que rodea al papel filtrante (M). Retire la tuerca de mariposa (L) y el elemento filtrante de papel (M) con el prefiltro (N).
2. Separe el prefiltro (N) del elemento filtrante (M), limpie el prefiltro (N) y sustituya el elemento filtrante (M).
3. Compruebe el estado de la goma (X) y cámbiela si es necesario.
4. Instale el nuevo filtro de papel (M) en la base, instale el prefiltro (N) sobre el filtro de papel (M) y sujételo con una tuerca de mariposa (L).

Vuelva a instalar la tapa del filtro de aire (O) y sujétela con la tuerca (K).

Refrigeración por aire

	<p>⚠ ADVERTENCIA</p> <p>Las piezas calientes pueden causar quemaduras graves.</p> <p>No toque el motor durante el funcionamiento o inmediatamente después de pararse.</p>
<p>No ponga nunca la bomba en funcionamiento con las protecciones térmicas desmontadas. No modifique la bomba.</p> <p>Coloque la bomba en un lugar donde no la vayan a tocar los peatones ni los niños.</p> <p>Asegúrese de transportar la bomba por sus asas de transporte únicamente.</p>	

Es esencial una refrigeración adecuada. Para evitar el sobrecalentamiento, limpie los filtros, los álabes de refrigeración y demás superficies externas del motor. Evite rociar agua al haz de cables o a cualquier componente eléctrico. Consulte el Programa de mantenimiento.

Reparaciones/Piezas de recambio

Recomendamos que utilice un distribuidor móvil de Kohler para el mantenimiento, la reparación o la sustitución de piezas del motor. Para encontrar un distribuidor móvil de Kohler, visite KohlerPower.com o llame al 1-800-544-2444 (EE. UU. y Canadá).

Para transportar la bomba

Antes de transportar la bomba, compruebe que los tornillos estén bien apretados y cierre la válvula de combustible. Se debe transportar la bomba en su posición de funcionamiento normal, nunca la coloque sobre su costado. Asegúrese de que el lugar donde guardará y usará la bomba se haya preparado cuidadosamente con anticipación.

Almacenamiento

Si no usa la bomba por un período prolongado, las operaciones de almacenamiento se deberán realizar según las siguientes instrucciones.

NOTA: Nunca opere la bomba sin llenar su cuerpo con agua e sumergir el filtro de succión (I) en agua antes.

1. Reemplace el filtro de combustible (E).
2. Añada el Tratamiento para los Inyectores de Diesel STP® al combustible siguiendo las instrucciones del bote.
3. Arranque el motor, asegúrese de que no haya fugas y luego párelo.
4. Mientras el motor aún está tibio, cambie el aceite y reemplace el filtro de aceite.
5. Limpie el prefiltro (N).
6. Enjuague completamente la bomba y los tubos con agua limpia.
7. Limpie la parte externa de la bomba y aplique un producto antioxidante a cualquier área desgastada o dañada.
8. Cubra la bomba con una cubierta protectora para preservarla del polvo y guárdela en un lugar limpio y seco.

Localización de averías

No intente reparar o cambiar componentes principales del motor o cualquier elemento que requiera unos procedimientos de ajuste o sincronización especiales. Este trabajo debe ser realizado por un distribuidor móvil de Kohler.

Causa posible	Problema			
	El motor no arrancará	El motor se paró	Falla del cebado automático	Flujo bajo
Filtro de aire bloqueado	•	•		
Nivel de combustible muy bajo	•	•		
Filtro de combustible (E) bloqueado	•	•		
Suministro de combustible bloqueado o con fuga	•	•		
El nivel de líquido que se está bombeando es muy bajo			•	
El nivel del agua es muy bajo en el cuerpo de la bomba			•	
La entrada está bloqueada			•	
Los semicoples no hacen una conexión hermética			•	
Apretamiento inadecuado del tapón de drenaje de la bomba (V)			•	
Aire en el circuito de succión			•	
Palanca de control de velocidad (Q) en la posición MIN.				•
Tubo muy largo o doblado				•
Lado de succión muy alto				•
Fuga en la tubería				•
Obstrucción del rotor				•
Desgaste del rotor				•
Daño en el sello mecánico				•
Pérdida de la energía del motor				•

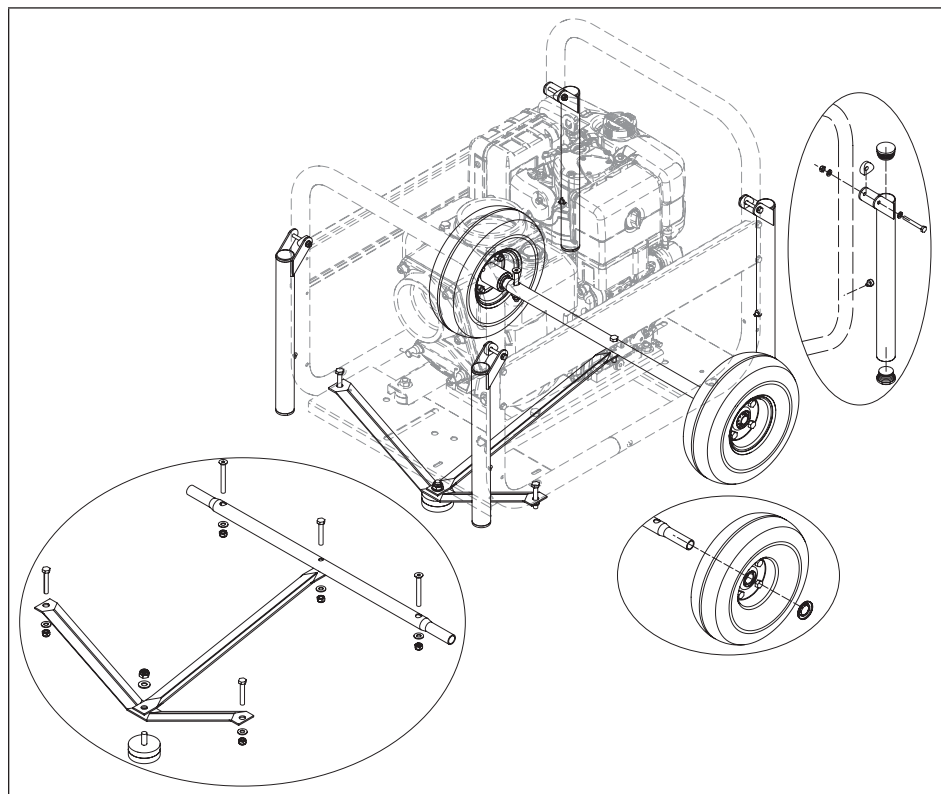
Especificaciones	
Modelo	TP 4.0 D
Dimensiones totales	715 mm (28,2 pul) de largo 570 mm (22,4 pul) de ancho 590 mm (23,2 pul) de alto
Succión y tamaño de la descarga	102 mm (4 pul)
Peso en seco	198,4 lbs. (90 kg)
Caudal máximo	476 gal./min. (1.800 l/min.)
Succión máxima del cabezal	8 m (26,2 pies)
Elevación máxima del cabezal	17 m (55,7 ft.)
Tamaño máximo de desechos	28 mm (1,1 pul.)

ESS

Especificaciones del motor	
Orificio	82 mm (3,2 pul)
Carrera	66 mm (2,6 pul)
Desplazamiento	349 cc (21,3 cu in)
Capacidad de aceite (rellenado)	1,2 L (1,3 U.S. qt)
Ángulo de funcionamiento máximo (con nivel máximo de aceite)*	25°
Tiempo de funcionamiento	4,3 hr.
Combustible	Véase la sección de combustible.
Capacidad del tanque de combustible	4,3 L (1,1 gal.)
Nivel de ruido	65-68 dB(A) a 7 m

*Si se excede el ángulo máximo de funcionamiento puede dañarse el motor debido a lubricación insuficiente.

El sistema de control de emisiones de escape para el modelo TP 4.0 D es EM y DDI para la EPA estadounidense, California y Europa.



Instalación del kit de movilidad

NOTA: Coloque unos bloques debajo de la bomba para levantarla e instalar las ruedas y la pata.

NOTA: Un dispositivo de sujeción o un ayudante que sujete el conjunto durante la instalación del kit facilitarán el proceso.

El kit de movilidad incluye 2 ruedas macizas de goma, 1 pata central, 4 manivelas y los accesorios de montaje.

Instalación de las ruedas y la pata central:

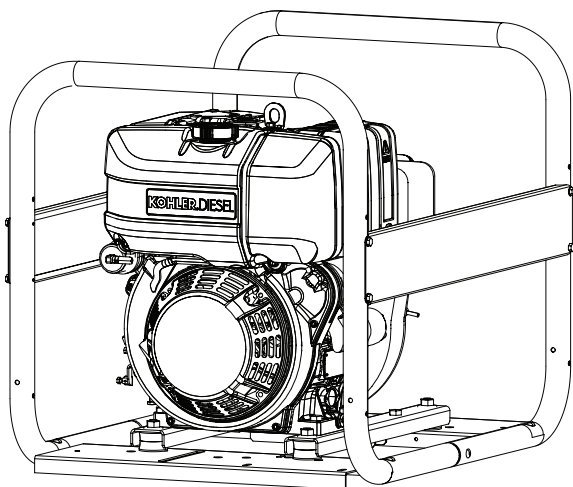
1. Inserte el tope de goma en el orificio del travesaño en el centro. Coloque el tirante del eje sobre el travesaño y el tope de goma con el tirante del eje angulado hacia arriba. Inserte la arandela y enrosque la tuerca en el tope de goma. Apriete de forma holgada.
2. Monte el conjunto del travesaño en el bastidor. Instale los tornillos a través del bastidor y del travesaño. Inserte la arandela y enrosque la tuerca de bloqueo en el tornillo. Apriete de forma holgada.
3. Alinee el orificio central del eje con el tirante del eje. Instale el tornillo a través del eje y del tirante del eje. Inserte la arandela y enrosque la tuerca de bloqueo en el tornillo. Apriete de forma holgada.
4. Alinee los orificios del eje con el bastidor. Instale los tornillos a través del bastidor y el eje. Inserte la arandela y enrosque la tuerca de bloqueo en el tornillo. Apriete de forma holgada.

5. Apriete todas las tuercas a 13,6 N (120 in lb). Apriete la tuerca de bloqueo del eje y del tirante del eje primero para dejar espacio suficiente entre el eje y el bastidor.
6. Instale las ruedas sobre el eje y empuje los anillos de retención sobre el eje.

Instalación de la manivela:

1. Alinee la manivela con los orificios del bastidor.
2. Instale el tornillo con las arandelas a través de la manivela en el bastidor. Coloque el espaciador curvado en el lado opuesto del bastidor entre la manivela y el bastidor mientras introduce el tornillo. Coloque otra arandela fuera de la manivela y enrosque la tuerca.
3. Apriete los tornillos lo suficiente para permitir que la manivela se mueva.

Manuel du propriétaire de pompe à résidus



IMPORTANT : Lisez toutes les consignes et précautions de sécurité avant d'utiliser le matériel.

Le moteur doit être arrêté et de niveau avant d'exécuter les travaux de maintenance ou d'entretien.

Enregistrez l'information concernant le produit pour référence lors de la commande de pièces ou d'une demande de couverture de garantie.

Spécifications _____
Numéro de série _____
Date d'achat _____

⚠ AVERTISSEMENT : Ce produit vous expose à des substances chimiques, parmi lesquelles le monoxyde de carbone et le benzène, qui sont reconnues provoquer le cancer, des malformations congénitales et autres troubles de la reproduction.

Pour de plus amples renseignements, consultez

www.P65warnings.ca.gov

⚠ AVERTISSEMENT : L'inhalation des gaz d'échappement de moteur diesel vous expose à des substances chimiques qui sont reconnues provoquer le cancer, des malformations congénitales et autres troubles de la reproduction.

- Démarrez et faites toujours tourner le moteur dans un endroit bien ventilé.
- Si l'espace est confiné, évacuez les gaz d'échappement à l'extérieur.
- Ne modifiez ni n'altérez d'aucune manière le système d'échappement.
- Ne laissez pas le moteur tourner au ralenti sauf en cas d'absolue nécessité.

Pour de plus amples renseignements, consultez

www.P65warnings.ca.gov/diesel


Consignes de sécurité

⚠ AVERTISSEMENT : Un danger pouvant entraîner la mort, de graves blessures ou des dommages matériels.

⚠ ATTENTION : Un danger pouvant entraîner des blessures légères ou des dommages matériels.

REMARQUE : Cette mention est utilisée pour attirer l'attention sur des détails importants concernant l'installation, l'utilisation ou l'entretien.

	⚠ ATTENTION
	<p>Les chocs électriques peuvent causer des blessures.</p> <p>Ne touchez pas aux fils pendant que le moteur tourne.</p>
<p>Ne faites pas fonctionner la pompe sous la pluie ou la neige.</p> <p>Ne touchez pas la pompe avec les mains mouillées. Il y a un risque de choc électrique.</p>	


	⚠ AVERTISSEMENT
	<p>Les liquides à haute pression peuvent attaquer la peau et causer des blessures graves voire mortelles.</p> <p>Ne travaillez pas sur un circuit d'alimentation si vous n'avez pas la formation appropriée ou l'équipement qui convient.</p>
<p>Les blessures provoquées par le liquide sont hautement toxiques et dangereuses. En cas de blessure, consultez immédiatement un médecin.</p>	

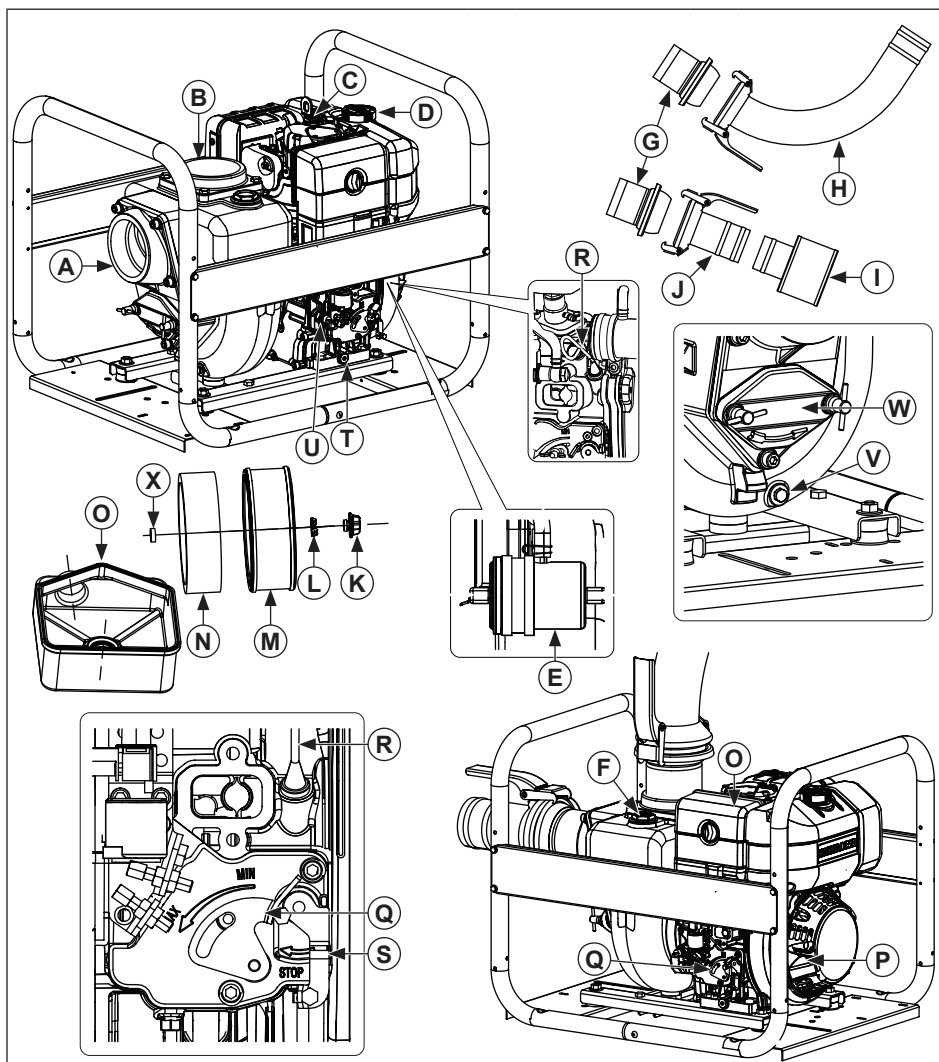
	⚠ AVERTISSEMENT
	<p>Les pièces tournantes peuvent causer de graves blessures.</p> <p>Tenez-vous éloigné de la pompe pendant qu'elle fonctionne.</p>
<p>Tenez vos mains, pieds, cheveux et vêtements à l'écart de toutes les pièces mobiles pour prévenir les blessures. Ne faites pas fonctionner la pompe avec les couvercles, les enveloppes ou les protections retirés.</p>	

	<p>⚠ AVERTISSEMENT</p> <p>Les pièces chaudes peuvent causer de graves brûlures.</p> <p>Ne touchez pas au moteur pendant qu'il tourne ou si vous venez tout juste de l'arrêter.</p>
	<p>Ne faites pas fonctionner la pompe avec les enveloppes ou les protections retirées. Ne pas modifier la pompe.</p> <p>La pompe doit être placée de manière à ce que les piétons ou les enfants ne puissent pas la toucher.</p> <p>Portez la pompe uniquement par les poignées.</p>

	<p>⚠ AVERTISSEMENT</p> <p>Le carburant peut provoquer des incendies et des brûlures graves.</p> <p>N'ajoutez pas de carburant si le moteur est chaud ou s'il tourne.</p>
	<p>Le carburant est inflammable et les vapeurs peuvent s'enflammer. Stockez le carburant uniquement dans les conteneurs agréés, dans des bâtiments bien aérés inoccupés. N'ajoutez pas de carburant si le moteur est chaud ou s'il fonctionne. Le carburant renversé pourrait s'enflammer au contact de pièces chaudes ou d'étincelles au moment de l'allumage. Ne démarrez pas le moteur près d'un déversement de carburant. N'utilisez jamais du carburant comme agent nettoyant.</p>

Étiquette importante sur la pompe

	<p>⚠ WARNING</p> <p>Carbon Monoxide. Can cause severe nausea, fainting or death.</p> <p>Avoid inhaling exhaust fumes.</p> <p>Only use product outdoors.</p>
	<p>Engine exhaust gases contain poisonous carbon monoxide.</p> <p>Carbon monoxide is odorless, colorless, and can cause death if inhaled.</p>




A	Port d'aspiration de pompe	B	Port de décharge de pompe	C	Bouchon de remplissage d'huile	D	Bouchon de carburant
E	Filtere à carburant	F	Bouchon du goulot de pompe	G	Demi-accouplements de décharge	H	Coude d'accouplement de décharge
I	Crépine d'aspiration	J	Demi-accouplement d'aspiration droit	K	Écrou du couvercle du filtre à air	L	Écrou à ailettes
M	Élément papier	N	Préfiltre	O	Couvercle du filtre à air	P	Poignée du démarreur à lanceur
Q	Levier de commande de vitesse	R	Jauge	S	Levier d'arrêt	T	Bouchon de vidange d'huile
U	Vis du support de filtre d'huile	V	Bouchon de vidange de pompe	W	Volet d'inspection	X	Joint en caoutchouc

Liste de vérification à utiliser avant le démarrage

1. Assurez-vous que la pompe est à au moins 1 m (3,3 pi) d'un bâtiment ou tout autre équipement.
2. Placez la pompe sur une surface solide et plate. Sélectionnez un endroit propre, aéré et protégé des intempéries. Sélectionnez un endroit qui n'empêche pas les mouvements des personnes ou des véhicules.
3. Assurez-vous que la pompe reste stable et immobile pendant le fonctionnement. N'oubliez pas que le flexible d'aspiration a tendance à entraîner la pompe vers la source d'eau pendant le pompage.
4. Approchez la pompe le plus possible du liquide à transférer. Une distance courte verticale entre la pompe et la surface du liquide accélérera l'amorçage et augmentera le volume de liquide pompé. Si la pompe fonctionne à côté d'un bassin ou d'un point d'eau, assurez-vous qu'elle est bien accrochée afin qu'elle ne tombe pas.
5. Immergez totalement la crépine d'aspiration (I) dans le liquide, en prenant les précautions nécessaires pour ne pas la bloquer.
6. Avant de commencer, lisez toutes les étiquettes d'avertissement.
7. Vérifiez le niveau d'huile. Ajoutez de l'huile si le niveau est bas. Ne remplissez pas trop le réservoir.
8. Vérifiez le niveau de carburant. Ajoutez du carburant si le niveau est bas. Recherchez la présence de fuites sur les conduites et les composants du système d'alimentation en carburant. Ne faites jamais le plein quand l'appareil fonctionne.
9. Vérifiez les composants du filtre à air et toutes les entrées d'air. Ils ne doivent pas être bouchés. Vérifiez également si tous les couvercles d'équipement et toutes les protections sont en place et bien fixés.

Démarrage

	⚠ AVERTISSEMENT
	<p>Monoxyde de carbone. Peut être cause de nausées, évanouissements ou décès.</p> <p>Évitez l'inhalation des gaz d'échappement. Ce produit ne doit être utilisé qu'à l'extérieur.</p>
<p>Les gaz d'échappement du moteur contiennent du monoxyde de carbone, gaz extrêmement toxique. Le monoxyde de carbone est un gaz inodore et invisible qui peut causer la mort s'il est inhalé.</p>	

	⚠ AVERTISSEMENT
	<p>Les pièces tournantes peuvent causer de graves blessures.</p> <p>Tenez-vous éloigné de la pompe pendant qu'elle fonctionne.</p>
<p>Tenez vos mains, pieds, cheveux et vêtements à l'écart de toutes les pièces mobiles pour prévenir les blessures. Ne faites pas fonctionner la pompe avec les couvercles, les enveloppes ou les protections retirés.</p>	

FRC

REMARQUE : N'essayez jamais de mettre la pompe en marche sans amorçage. La pompe pourrait surchauffer. Une utilisation prolongée à sec aurait pour effet de détruire le joint mécanique.

Si l'unité a été utilisée à sec, arrêtez le moteur immédiatement et laissez la pompe refroidir avant d'ajouter l'eau pour l'amorçage.

REMARQUE : Utilisez toujours une crépine d'aspiration (I) avec le flexible d'aspiration. Des graviers et des débris aspirés dans la pompe pourraient causer de graves dommages sur le boîtier de la pompe et le rotor.

REMARQUE : La pompe n'est pas conçue pour une utilisation à bord. Ne l'utilisez pas quand elle est installée sur un véhicule.

Ne laissez pas la pompe à l'intérieur du véhicule ou dans un coffre.

Pendant le fonctionnement ou le transport de la pompe, maintenez-la en position verticale. Si elle s'incline, le carburant peut couler du réservoir.

1. Immergez entièrement la crépine d'aspiration (I) dans du liquide qui doit être aspiré. S'il y a un risque de blocage, placez la crépine d'aspiration (I) sur une base en pierre.
2. Remplissez le corps de la pompe avec de l'eau via le port de décharge de la pompe (B) ou par le capuchon du goulot de pompe (F).
3. Connectez les deux demi-accouplements de décharge (G) et le demi-accouplement d'aspiration droit (J).
4. Placez le levier de commande de vitesse (Q) en position MIN.
5. Tirez lentement sur la poignée du démarreur à lanceur (P) jusqu'à ce qu'une résistance se fasse sentir, puis laissez-la revenir sans forcer.

6. Puis, tirez rapidement et vigoureusement sur la poignée du démarreur à lanceur (P) jusqu'au démarrage du moteur. Si le moteur ne démarre pas, recommencez jusqu'à ce que le moteur démarre.


Démarrage par temps froid

REMARQUE : Vérifiez l'eau dans le corps de la pompe. Elle ne doit pas être gelée avant le démarrage.

Quand la température ambiante est basse, laissez le moteur de la pompe tourner au ralenti avant d'augmenter le débit de liquide. Consultez le tableau pour les températures et les durées.

$\leq -4^{\circ}\text{ F } (\leq -20^{\circ}\text{ C})$	5 minutes
$-4^{\circ}\text{ à } 14^{\circ}\text{ F } (-20^{\circ}\text{ à } -10^{\circ}\text{ C})$	2 minutes
$14^{\circ}\text{ à } 23^{\circ}\text{ F } (-10^{\circ}\text{ à } -5^{\circ}\text{ C})$	1 minute
$\geq 41^{\circ}\text{ F } (\geq 5^{\circ}\text{ C})$	20 secondes

Opération

	 AVERTISSEMENT
	<p>Les pièces tournantes peuvent causer de graves blessures.</p> <p>Tenez-vous éloigné de la pompe pendant qu'elle fonctionne.</p>
<p>Tenez vos mains, pieds, cheveux et vêtements à l'écart de toutes les pièces mobiles pour prévenir les blessures. Ne faites pas fonctionner la pompe avec les couvercles, les enveloppes ou les protections retirés.</p>	

REMARQUE : S'il n'y a pas de débit de liquide dans la pompe, arrêtez-la et vérifiez le circuit d'aspiration (crépine d'aspiration (I), les tuyaux et le volet d'inspection (W)).

REMARQUE : Évitez de placer du matériel inflammable à côté de la sortie d'échappement pendant le fonctionnement.

Ne posez rien sur la pompe pendant le fonctionnement.

La pompe commande le débit de liquide selon sa vitesse de fonctionnement. Le moteur de la pompe est équipé d'un levier de commande de vitesse (Q) qui permet au débit de la pompe d'être contrôlé.

Le débit de la pompe dépend aussi du niveau de décharge et d'aspiration des têtes et de la qualité du liquide qui est pompé (eau propre/ boueuse).

- Desserrez l'écrou à ailettes du levier de commande de vitesse (Q).
- Déplacez le levier de commande de vitesse (Q) (MAX pour augmenter le débit, MIN pour le réduire).
- Serrez l'écrou à ailettes du levier de commande de vitesse (Q).

Angle de fonctionnement

Ne poussez pas ce moteur au maximum de ses limites. Voir le tableau des spécifications. Le moteur pourrait être endommagé si la lubrification est insuffisante.

Arrêt

- Activez le levier d'arrêt (S).
- Arrêtez la pompe.
- Débranchez les tuyaux d'aspiration et de décharge et laissez le liquide sortir.
- Si la pompe ne doit pas être réutilisée le jour même, rincez-la

Rinçage

une fois la pompe arrêtée et froide.

- Remplissez le corps de la pompe avec de l'eau propre via le port de décharge de la pompe (B) ou par le capuchon du goulot de pompe (F).
- Tirez lentement sur la poignée du démarreur à lanceur (P) plusieurs fois jusqu'à ce qu'une résistance se fasse sentir, puis laissez-la revenir sans forcer.
- Dévissez et retirez le bouchon de vidange de pompe (V) de la pompe et laissez l'eau sortir.
- Vissez le bouchon de vidange de pompe (V) en place.
- Si nécessaire, renouvelez l'opération.
- Ouvrez le volet d'inspection (W). Le cas échéant, retirez la saleté et rincez à fond à l'eau propre.
- Fermez le volet d'inspection (W).
- Nettoyez la crépine d'aspiration (I). Le cas échéant, retirez la saleté et rincez à fond à l'eau propre.

Régime du moteur

REMARQUE : Ne modifiez pas le limiteur de vitesse pour augmenter le régime maximal du moteur. La survitesse est dangereuse et annule la garantie.

Consignes d'entretien

Toutes les opérations de maintenance doivent être effectuées comme décrit dans le tableau de maintenance. Leur fréquence est donnée à titre informatif, pour les pompes fonctionnant avec du carburant ou de l'huile en fonction des spécifications données dans ce manuel.

FRC

Si les conditions climatiques sont extrêmes, réduisez les intervalles de maintenance de la pompe.

Programme d'entretien

Après les premières 50 heures de fonctionnement

- Remplacez le filtre et l'huile.

Toutes les 250 heures¹

- Remplacez le filtre et l'huile.
- Nettoyez ou remplacez le filtre à air.
- Nettoyez la pompe.

Sur une base annuelle ou toutes les 500 heures¹

- Remplacez le filtre à carburant (E).
- Nettoyez le réservoir à carburant.
- Nettoyez le pare-étincelles.

Toutes les 500 heures²

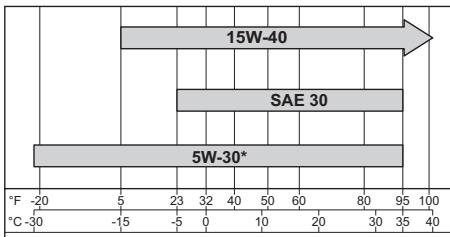
- Installez et nettoyez les injecteurs.
- Faites vérifier/régler le jeu des soupapes.

¹ Effectuez ces procédures plus fréquemment en cas d'utilisation dans un environnement poussiéreux et sale.

² Confiez ces travaux d'entretien à un concessionnaire Kohler.

Recommandations relatives à l'huile

Pour un meilleur rendement, nous recommandons les huiles Kohler. Utilisez les huiles détergentes de qualité supérieure (y compris les huiles synthétiques) de classe CH-4 ou supérieure de l'API. Choisissez la viscosité en fonction de la température ambiante au moment de l'utilisation, comme indiqué ci-dessous.



* Huile à base synthétique.

Contrôle du niveau d'huile

Assurez-vous que le niveau d'huile du moteur se situe entre la limite inférieure et supérieure de la jauge (R). Le cas échéant, ajoutez l'huile.

1. Retirez la jauge (R) et nettoyez-la.
2. Remplacez la jauge (R), puis sortez-la de nouveau. Vérifiez le niveau, il doit se situer entre la limite supérieure de la jauge (R) et la limite inférieure de la jauge (R).
3. Remplissez à l'aide d'un entonnoir, si nécessaire.
4. Remettez la jauge (R) en place.
5. Vérifiez qu'il n'y a aucune trace de fuite.

6. Nettoyez les traces d'huile avec un chiffon propre.

Remplacement du filtre et de l'huile

REMARQUE : Vidangez l'huile moteur dans un conteneur homologué. N'évacuez jamais ou ne renversez jamais de l'huile moteur sur le sol.

REMARQUE : Si nécessaire, un second bouchon de purge d'huile (T) est disponible de l'autre côté du moteur.

Changez l'huile pendant que le moteur est encore chaud.

1. Nettoyez la surface autour du bouchon de remplissage d'huile (C). Enlevez le bouchon de vidange d'huile (T) et le bouchon de remplissage d'huile (C). Évacuez entièrement l'huile.
2. Réinstallez le bouchon de vidange (T).
3. Avec une clé hexagonale, retirez les vis du support de filtre à huile (U). Retirez le filtre à huile et mettez-le au rebut.
4. Nettoyez le support du filtre à huile et appliquez de l'huile moteur propre sur le joint du filtre à huile.
5. Installez un nouveau filtre à huile. Insérez les vis du support de filtre à huile (U) dans le support de filtre à huile, puis serrez-les.
6. Remplissez le carter avec de l'huile neuve. Le niveau doit être en haut sur la jauge (R).
7. Remettez en place le bouchon de remplissage d'huile et serrez fermement.

- Faites démarrer le moteur et vérifiez l'absence de fuites d'huile. Coupez le moteur et rectifiez le problème de fuite. Vérifiez de nouveau le niveau d'huile.
- Mettez au rebut l'huile usée en respectant la réglementation locale.

Montage des tuyaux

- Placez un collier autour du filetage des demi-accouplements.
- Avec l'aide d'une clé spéciale, vissez les demi-accouplements de décharge et d'aspiration (G) dans les ports d'aspiration (A) et de décharge (B) de pompe.
- Avec les collets, sécurisez les tuyaux sur les demi-accouplements d'aspiration droits (J) et le coude d'accouplement de décharge (H).
- Installez la crépine d'aspiration (I) à l'extrémité du tuyau d'aspiration.

Recommandations relatives au carburant

	<p>⚠ AVERTISSEMENT</p> <p>Le carburant peut provoquer des incendies et des brûlures graves. N'ajoutez pas de carburant si le moteur est chaud ou s'il tourne.</p>
<p>Le carburant est inflammable et les vapeurs peuvent s'enflammer. Stockez le carburant uniquement dans les conteneurs agréés, dans des bâtiments bien aérés inoccupés. N'ajoutez pas de carburant si le moteur est chaud ou s'il fonctionne. Le carburant renversé pourrait s'enflammer au contact de pièces chaudes ou d'étincelles au moment de l'allumage. Ne démarrez pas le moteur près d'un déversement de carburant. N'utilisez jamais du carburant comme agent nettoyant.</p>	

Le carburant doit répondre à ces exigences :

- Carburant diesel indice commercial, propre et neuf.
- ASTM D-975 – 1D ou 2D, EN590, ou l'équivalent.
- Les carburants biodiesel avec moins de 20 % d'ester méthylique ou B20 sont acceptables. Les carburants répondant aux spécifications de BQ-9000, EN 14214 ou l'équivalent sont recommandés.
- Le carburant pour l'aviation y compris JP5, JP4, JP8 et JET-A (si 5 % d'huile ajoutée).
- Ne remplissez pas trop le réservoir de carburant.

Vérification du niveau de carburant

	<p>⚠ AVERTISSEMENT</p> <p>Le carburant peut provoquer des incendies et des brûlures graves. N'ajoutez pas de carburant si le moteur est chaud ou s'il tourne.</p>
<p>Le carburant est inflammable et les vapeurs peuvent s'enflammer. Stockez le carburant uniquement dans les conteneurs agréés, dans des bâtiments bien aérés inoccupés. N'ajoutez pas de carburant si le moteur est chaud ou s'il fonctionne. Le carburant renversé pourrait s'enflammer au contact de pièces chaudes ou d'étincelles au moment de l'allumage. Ne démarrez pas le moteur près d'un déversement de carburant. N'utilisez jamais du carburant comme agent nettoyant.</p>	

Le moteur doit être froid.

- Nettoyez la zone autour du bouchon de carburant (D).
- Retirez le bouchon de carburant (D). Remplissez jusqu'à la base du goulot de remplissage. Ne remplissez pas trop le réservoir de carburant. Laissez de la place afin que le carburant puisse se dilater.
- Remettez en place le bouchon de carburant (D) et serrez fermement.

Filtre à carburant

	<p>⚠ AVERTISSEMENT</p> <p>Les liquides à haute pression peuvent attaquer la peau et causer des blessures graves voire mortelles.</p>
<p>Ne travaillez pas sur un circuit d'alimentation si vous n'avez pas la formation appropriée ou l'équipement qui convient.</p> <p>Les blessures provoquées par le liquide sont hautement toxiques et dangereuses. En cas de blessure, consultez immédiatement un médecin.</p>	

REMARQUE : Le carburant sort pendant cette opération. Prenez un récipient adapté.

- Fermez la soupape de carburant.
- Retirez le filtre à carburant (E) en retirant les clips de flexible et en desserrant la vis sur le clip de fixation.
- Installez un nouveau filtre à carburant (E) en serrant la vis sur le clip de fixation.
- Reconnectez les flexibles en les fixant avec des clips.
- Nettoyez les traces de carburant avec un chiffon propre et vérifiez qu'il n'y a pas de fuite.

Nettoyage de pompe

1. Nettoyez la pompe, particulièrement les entrées et sorties d'air du moteur avec un chiffon et une brosse.
2. Vérifiez l'état de la pompe et remplacez les pièces défectueuses.

Filtre

REMARQUE : L'utilisation du moteur avec des éléments du filtre à air détachés ou endommagés risque de provoquer une usure prématurée et des défaillances du moteur. Remplacez tous les composants tordus ou endommagés.

REMARQUE : L'élément papier (M) ne peut pas être nettoyé à l'air comprimé.

Desserrez l'écrou du couvercle du filtre à air (K) et retirez le couvercle du filtre à air (O).

Préfiltre :

1. Retirez le préfiltre (N) de l'élément papier (M).
2. Remplacez ou lavez le préfiltre (N) dans de l'eau chaude avec du détergeant. Rincez, puis laissez sécher à l'air.
3. Imprégnez le préfiltre (N) d'huile moteur neuve. Éliminez l'excès d'huile.
4. Réinstallez le préfiltre (N) de l'élément papier (M).

Élément en papier :

1. Nettoyez la surface autour de l'élément papier (M). Retirez l'écrou à ailettes (L) et l'élément papier (M) avec le préfiltre (N).
2. Séparez le préfiltre (N) de l'élément papier (M); faites un entretien du préfiltre (N) et remplacez l'élément papier (M).
3. Vérifiez l'état du joint en caoutchouc (X) et remplacez-le si nécessaire.
4. Installez le nouvel élément papier (M) sur la base. Installez le préfiltre (N) sur l'élément papier (M) et fixez-le avec l'écrou à ailettes (L).

Réinstallez le couvercle du filtre à air (O) et fixez-le avec l'écrou du couvercle (K).

Système de refroidissement par air

	AVERTISSEMENT
	Les pièces chaudes peuvent causer de graves brûlures. Ne touchez pas au moteur pendant qu'il tourne ou si vous venez tout juste de l'arrêter.
Ne faites pas fonctionner la pompe avec les enveloppes ou les protections retirées. Ne pas modifier la pompe. La pompe doit être placée de manière à ce que les piétons ou les enfants ne puissent pas la toucher. Portez la pompe uniquement par les poignées.	

FRC

Il est essentiel d'avoir un système de refroidissement. Pour éviter une surchauffe, nettoyez les crépines, les ailettes de refroidissement et autres surfaces externes du moteur. Évitez de vaporiser de l'eau sur le faisceau de câblage ou sur un composant électrique. Voir Programme d'entretien.

Réparations/Pièces détachées

Nous vous recommandons d'utiliser les services d'un concessionnaire Kohler pour tous les travaux de maintenance et d'entretien, ainsi que pour l'achat de pièces de rechange du moteur. Pour trouver un concessionnaire Kohler, consultez le site KohlerPower.com ou appelez le 1-800-544-2444 (États-Unis et Canada).

Transport de la pompe

Avant de transporter la pompe, vérifiez le serrage des boulons et la fermeture de la soupape de carburant. La pompe doit être transportée en position normale de fonctionnement. Ne la posez jamais sur le côté. Vérifiez l'emplacement de remisage ou d'utilisation de la pompe. Il doit être préalablement préparé.

Entreposage

Si la pompe n'est pas utilisée pendant une longue période, les opérations de stockage doivent être exécutées en respectant les instructions ci-dessous.

REMARQUE : Ne faites jamais fonctionner la pompe sans remplir le corps de la pompe avec de l'eau et sans immerger la crépine d'aspiration (I) dans l'eau préalablement.

1. Remplacez le filtre à carburant (E).
2. Ajoutez un produit de traitement des injecteurs diesel STP® au carburant en suivant les instructions sur la bouteille.

3. Faites démarrer le moteur. Vérifiez qu'il n'y a pas de fuite, puis arrêtez le moteur.
4. Avec le moteur encore chaud, changez l'huile et remplacez le filtre à huile.
5. Nettoyez le préfiltre (N).
6. Avec de l'eau propre, rincez la pompe et les tuyaux à fond.
7. Nettoyez l'extérieur de la pompe et appliquez un produit anti-rouille sur les zones endommagées ou usées.
8. Couvrez la pompe avec un couvercle pour la protéger de la poussière et stockez-la dans un endroit sec et propre.

Recherche de pannes

N'essayez pas de faire l'entretien ou de réparer les principaux composants du moteur, ou tout élément qui requiert un calage ou des procédures de réglage spéciaux. Ce travail doit être réalisé par un concessionnaire Kohler.

Causes possibles	Problème			
	Le moteur ne démarre pas	Le moteur s'est arrêté	Défaillance de l'amorçage automatique	Débit lent
Filtre à air bouché	•	•		
Niveau de carburant trop bas	•	•		
Filtre à carburant bouché (E)	•	•		
Alimentation en carburant bouchée ou présence de fuite	•	•		
Le niveau du liquide pompé est trop bas			•	
Le niveau de l'eau est trop bas dans le corps de la pompe			•	
L'admission est bouchée			•	
Les demi-accouplements ne sont pas étanches			•	
Le serrage du bouchon de purge de la pompe (V) n'est pas adapté			•	
Air dans le circuit d'aspiration			•	
Levier de commande de vitesse du moteur (Q) en position MIN				•
Tuyau trop long ou tordu				•
Le côté aspiration est trop haut				•
Fuites au niveau des tuyaux				•
Rotor bouché				•
Rotor usé				•
Dommages du joint mécanique				•
Perte de puissance du moteur				•

Spécifications	
Modèle	TP 4.0 D
Dimensions hors tout	28,2 po (715 mm) Longueur 22,4 po (570 mm) Largeur 23,2 po (590 mm) Hauteur
Taille côté aspiration et décharge	4 po (102 mm)
Poids à sec	198,4 lb (90 kg)
Taux de débit max	476 gal./min. (1.800 l/min.)
Tête d'aspiration max	26,2 pi (8 m)
Tête de levage max	55,7 pi (17 m)
Dimension max des débris	1,1 po (28 mm)

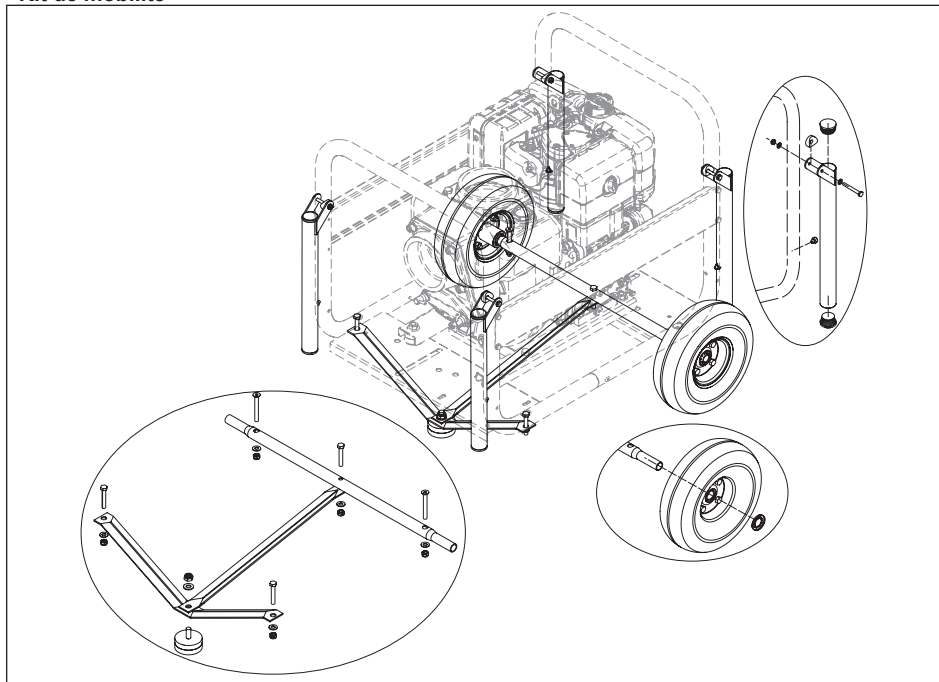
FRC

Spécifications du moteur	
Alésage	3,2 po (82 mm)
Course	2,6 po (66 mm)
Cylindrée	21,3 cu-po (349 cc)
Capacité d'huile (remplissage)	1,3 U.S. qt. (1,2 L)
Angle d'opération maximal (à plein niveau d'huile)*	25°
Durée d'exploitation	4,3 heures
Carburant	Voir la rubrique concernant le carburant
Capacité du réservoir de carburant	1,1 gal. (4,3 L)
Niveau sonore	65-68 dB(A) à 7 m

*Un angle de fonctionnement trop important peut causer des dommages du moteur liés à un manque de lubrification.

Le système antipollution de l'échappement pour les modèles TP 4.0 D est EM et DDI pour U.S. EPA, Californie et Europe.

Kit de mobilité



Installation du kit de mobilité

REMARQUE : Placez les blocs en dessous pour soulever la pompe et installer les roues et la patte.

REMARQUE : Un dispositif de serrage ou un assistant pendant l'installation du kit facilite le processus.

Le kit de mobilité comprend 2 roues en caoutchouc, 1 patte centrale, 4 poignées et le matériel de montage.

Installation des roues et de la patte centrale :

1. Insérez l'amortisseur en caoutchouc dans le trou de traverse au centre. Placez l'entretoise de l'axe sur la traverse et l'amortisseur en caoutchouc avec l'entretoise de l'axe inclinée vers le haut. Insérez la rondelle et l'écrou fileté sur l'amortisseur en caoutchouc. Vissez sans serrer.
2. Assemblez l'ensemble de traverse sur le cadre. Installez les vis sur le cadre et la traverse. Insérez la rondelle et serrez l'écrou de blocage sur la vis. Vissez sans serrer.

3. Alignez le trou central de l'axe avec l'entretoise de l'axe. Installez la vis sur l'axe et l'entretoise de l'axe. Insérez la rondelle et serrez l'écrou de blocage sur la vis. Vissez sans serrer.
4. Alignez les trous de l'axe avec le cadre. Installez les vis sur le cadre et l'axe. Insérez la rondelle et serrez l'écrou de blocage sur la vis. Vissez sans serrer.
5. Serrez tous les écrous au couple de 13,6 N.m (120 pi. lb). Serrez d'abord l'écrou de blocage de l'axe et de l'entretoise de l'axe pour garantir qu'il y ait suffisamment d'espace entre l'axe et le cadre.
6. Installez les roues sur l'axe, poussez les bagues de fixation sur l'axe.

Installation de la poignée :

1. Alignez la poignée avec les trous sur le cadre.
2. Installez les vis avec les rondelles sur la poignée dans le cadre. Placez une rondelle courbée sur le côté opposé du cadre entre la poignée et le cadre, tout en enfonçant la vis. Placez une autre rondelle à l'extérieur de la poignée et vissez l'écrou.
3. Serrez suffisamment les vis pour que le mouvement de la poignée soit libre.