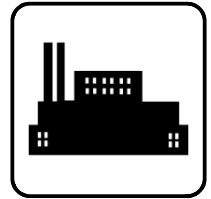


Service Parts

Engine



Engine Model:

KD36V16, 60 Hz

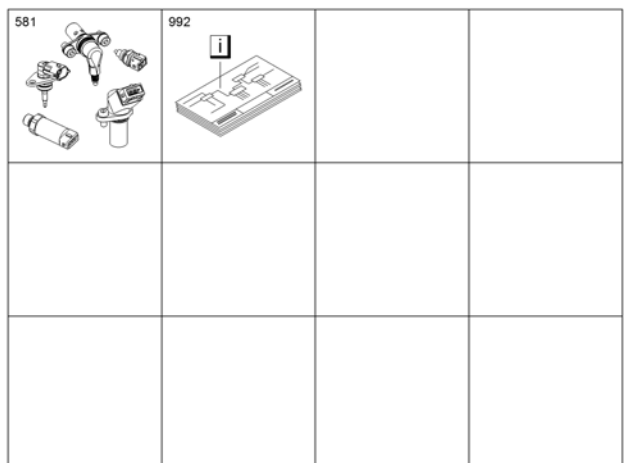
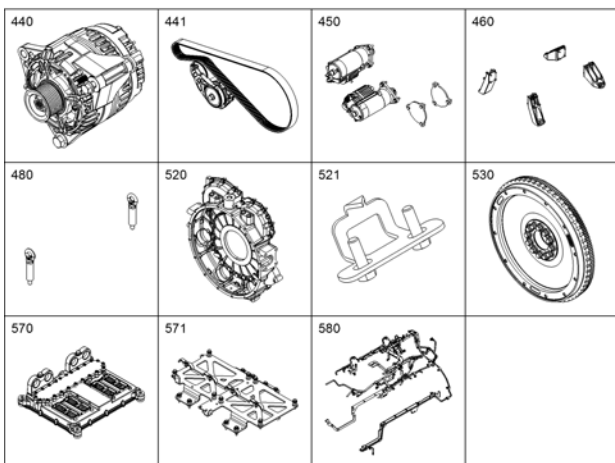
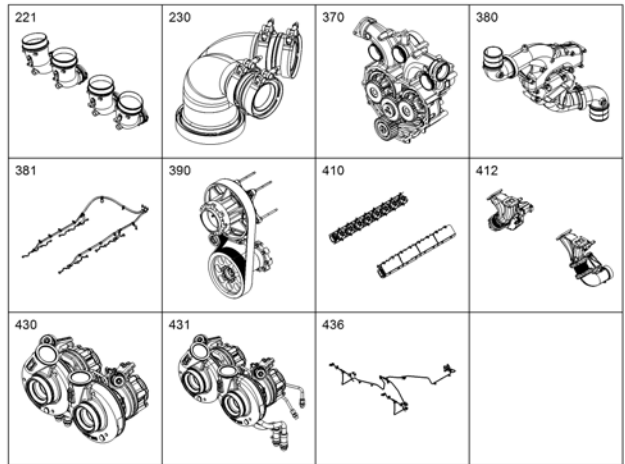
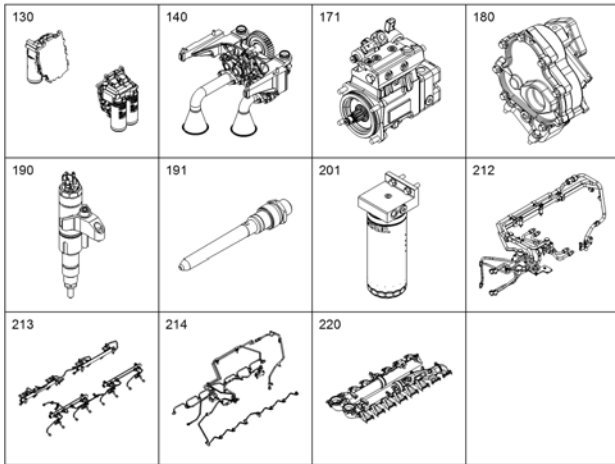
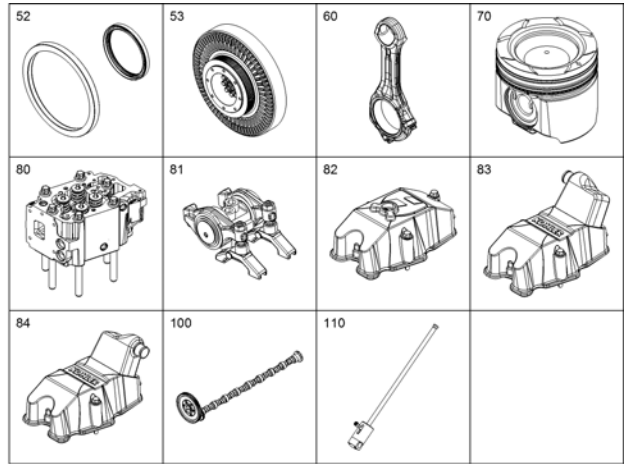
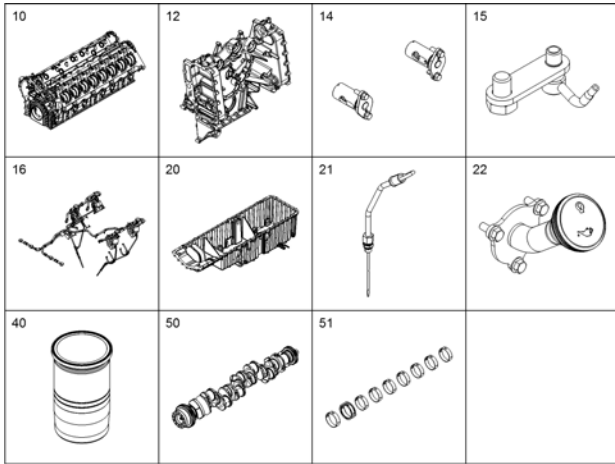
Generator Models:

KD1250-A

KD1350

KOHLER®

TP-7054 6/19



Tables of contents

Description	Page
Engine KO KD36V16	1
Crankcase cpl.	5
Crankcase pre-assy.	6
Grease	7
Power unit support attachment	8
Housing pre-assembled	9
Final control valve	10
Piston cooling	11
Crankcase breather assembly	12
Cylinder head cover assembly	15
Oil separator	16
Oil sump with fastening	17
Oil sump pre-ass.	18
Dipstick	19
Oil filler inlet	20
End cover	21
Cylinder	22
Crankshaft cpl.	23
Crankshaft with gear	24

Tables of contents

Description	Page
Crankshaft bearings	25
Crankshaft sealing	26
Vibration damper	27
Connecting rod assembly	28
Piston cpl.	29
Cylinder head assembly	30
Cylinder head pre-assy.	31
Cylinder head	32
Rocker arms device cpl.	33
Rocker arm bracket pre-ass.	34
Cylinder head cover assembly	35
Cylinder head cover assembly	36
Cylinder head cover assembly	37
Cylinder head cover assembly	38
Cylinder head cover assembly	39
Camshaft cpl.	40
Camshaft pre-ass.	41
Control parts	42
Oil module assembly	43

Tables of contents

Description	Page
Oil module left	44
Oil cooler housing	45
Oil module right	46
Oil cooler housing	47
Lube oil pump with fastening	48
High pressure pump w.fastening	49
High pressure pump	50
Rk high pressure pump	51
Seal kit high pressure pump	52
Seal kit prefeeding pump	53
Rk pre-feed pump	54
Rk volum control valve	55
Covering caps - kit	56
Drive for high pressure pump	57
Injector with fastening	58
Rk injector	59
High pressure connector	60
Seal kit high press.connector	61
Seal kit injector	62

Tables of contents

Description	Page
Fuel filter	63
Fuel filter	64
Fuel lines	65
Injection lines	68
Leak oil line add-on	69
Air intake assembly	72
Intake stack assembly	73
Locking pieces	74
Charge air line assembly	75
Water pump with fastening	76
Thermostat housing assembly	77
Connection f. water pipe	78
Vent tube assembly	79
Fan drive assembly	80
Tightening roller	81
Guide pulley compl.	82
Exhaust pipe assembly	83
Outlet manifold add-on	84
Exhaust tc mounting	85

Tables of contents

Description	Page
Exhaust tc mounting	87
Regulation boost pressure	89
Generator add-on	91
Belt drive	92
Starter installation	93
Starter installation	94
Starter pre-assy.	95
Locking pieces	96
Fastening pieces assembly	97
Lifting device	98
Flywheel housing mounting	99
Control plate assembly	100
Flywheel assembly	101
Motor control device	102
Control box annexe	103
Fastening clamp	104
Cable harness mounting	105
Engine control sensors	107
Temperature probe cpl.	108

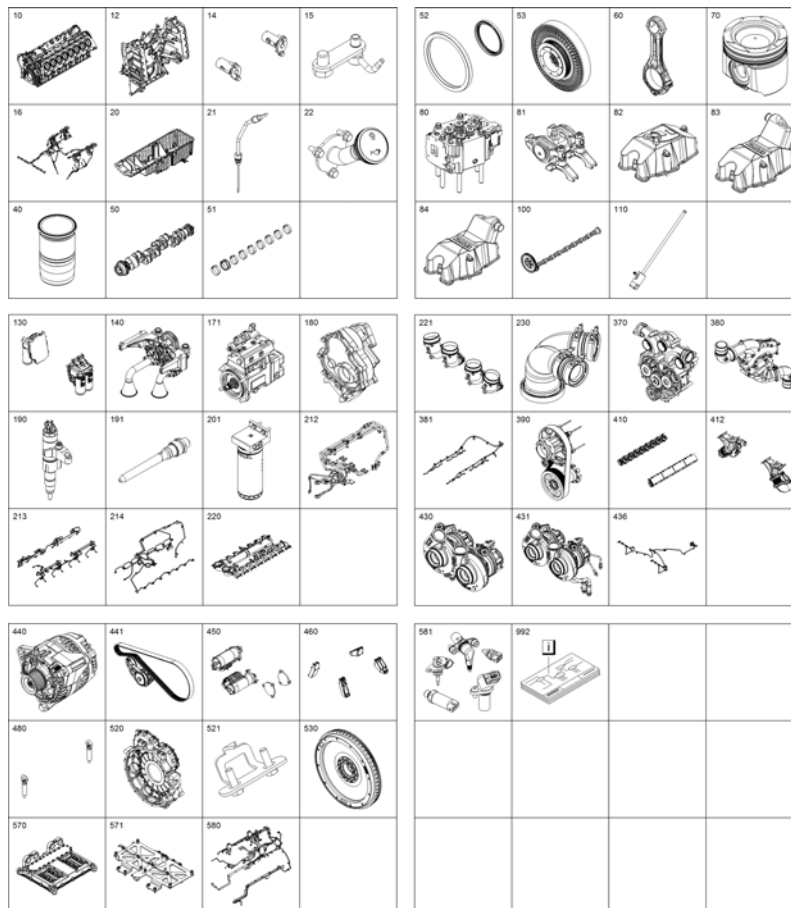
Tables of contents

Description	Page
Pressure transmitter cpl.	109
Temperature sensor cpl.	110
Rotational speed sensor cpl.	111
Rotational speed sensor cpl.	112
Engine electrics	113

Engine KO KD36V16

10101014901

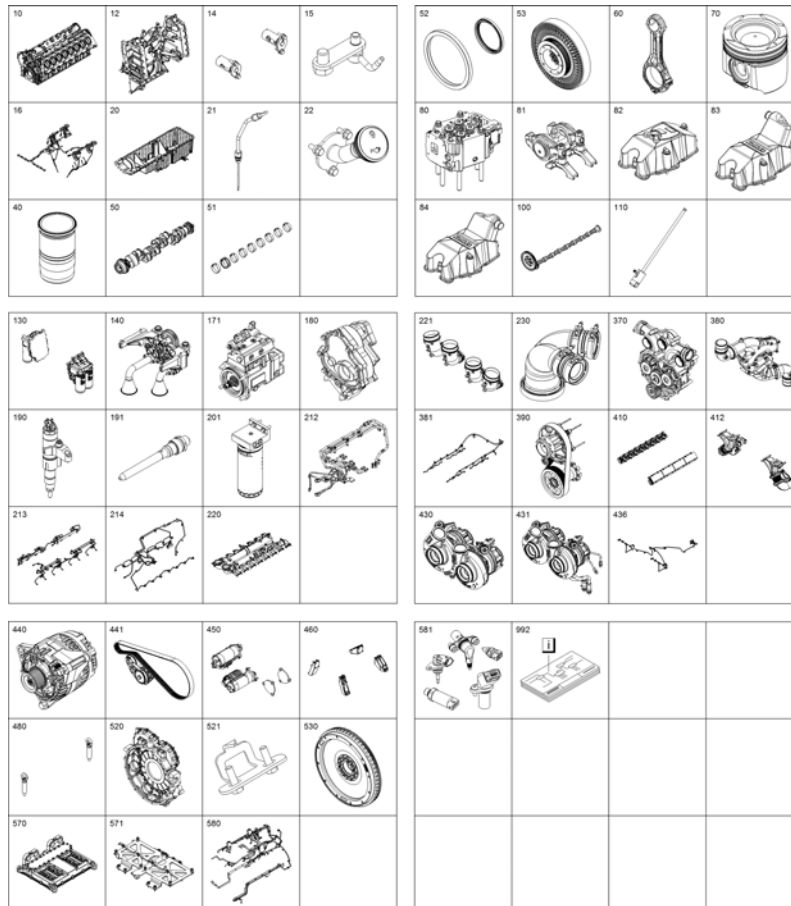
Po s.	Part No.	Ver	Description	Qty.	Un S/N from	S/N to	Page
10	230612263	-	Crankcase cpl.	1	UN		5
12	230610686	-	Power unit support attachment	1	UN		8
14	230610769	-	Final control valve	1	UN		10
15	230610570	-	Piston cooling	16	UN		11
16	230612262	-	Crankcase breather assembly	1	UN		12
20	230612401	-	Oil sump with fastening	1	UN		17
21	230611936	-	Dipstick	1	UN		19
22	230610257	-	Oil filler inlet	1	UN		20
40	230610155	-	Cylinder	16	UN		22
50	230612266	-	Crankshaft cpl.	1	UN		23
51	230612265	-	Crankshaft bearings	1	UN		25
52	230610585	-	Crankshaft sealing	1	UN		26
53	230611966	-	Vibration damper	1	UN		27
60	230610060	-	Connecting rod assembly	16	UN		28
70	230610224	-	Piston cpl.	16	UN		29
80	230610153	-	Cylinder head assembly	16	UN		30



Engine KO KD36V16

10101014901

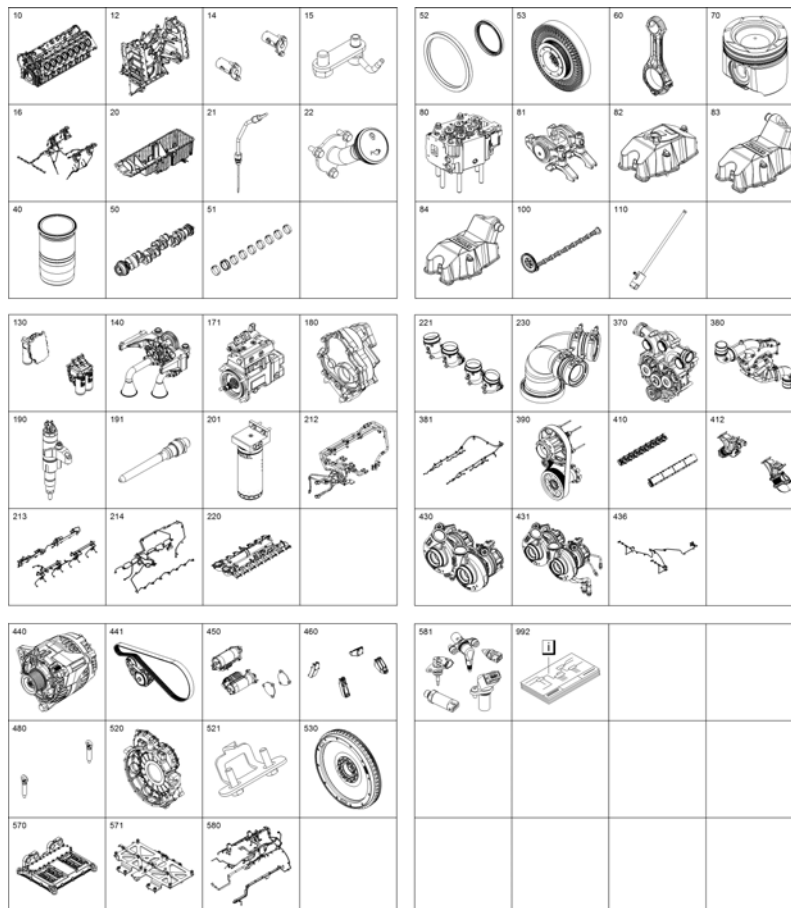
Po s.	Part No.	Ver	Description	Qty.	Un S/N from	S/N to	Page
81	230610160	-	Rocker arms device cpl.	16	UN		33
82	230610073	-	Cylinder head cover assembly	8	UN		35
83	230610589	-	Cylinder head cover assembly	2	UN		36
84	230610556	-	Cylinder head cover assembly	2	UN		38
100	230612239	-	Camshaft cpl.	1	UN		40
110	230612253	-	Control parts	16	UN		42
130	230611967	-	Oil module assembly	1	UN		43
140	230612379	-	Lube oil pump with fastening	1	UN		48
171	230612344	-	High pressure pump w.fastening	2	UN		49
180	230612279	-	Drive for high pressure pump	1	UN		57
190	230612373	-	Injector with fastening	16	UN		58
191	230610251	-	High pressure connector	16	UN		60
201	230611969	-	Fuel filter	1	UN		63
212	230612306	-	Fuel lines	1	UN		65
213	230612372	-	Injection lines	1	UN		68
214	230612377	-	Leak oil line add-on	1	UN		69



Engine KO KD36V16

10101014901

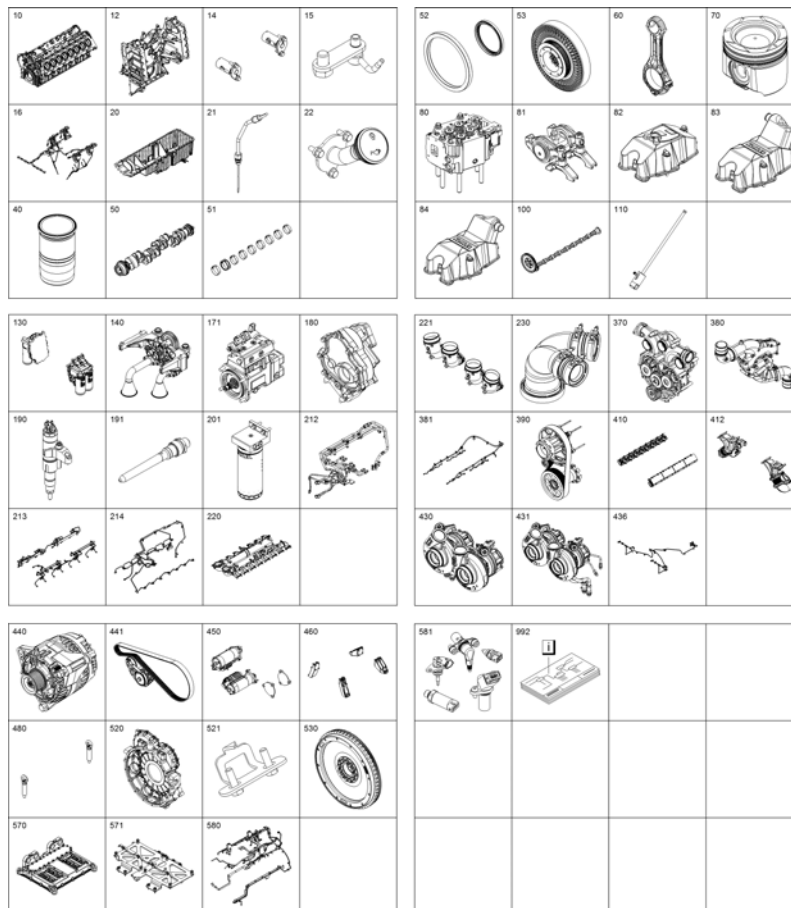
Po s.	Part No.	Ver	Description	Qty.	Un S/N from	S/N to	Page
220	230612228	-	Air intake assembly	1	UN		72
221	230612376	-	Intake stack assembly	1	UN		73
230	230610601	-	Charge air line assembly	2	UN		75
370	230612452	-	Water pump with fastening	1	UN		76
380	230610756	-	Thermostat housing assembly	1	UN		77
381	230612449	-	Vent tube assembly	1	UN		79
390	230610841	-	Fan drive assembly	1	UN		80
410	230612290	-	Exhaust pipe assembly	1	UN		83
412	230612408	-	Outlet manifold add-on	1	UN		84
430	230612293	-	Exhaust tc mounting	1	UN		85
431	230612294	-	Exhaust tc mounting	1	UN		87
436	230612429	-	Regulation boost pressure	1	UN		89
440	230610814	-	Generator add-on	1	UN		91
441	230610815	-	Belt drive	1	UN		92
450	230610861	-	Starter installation	1	UN		93
460	230610811	-	Fastening pieces assembly	1	UN		97



Engine KO KD36V16

10101014901

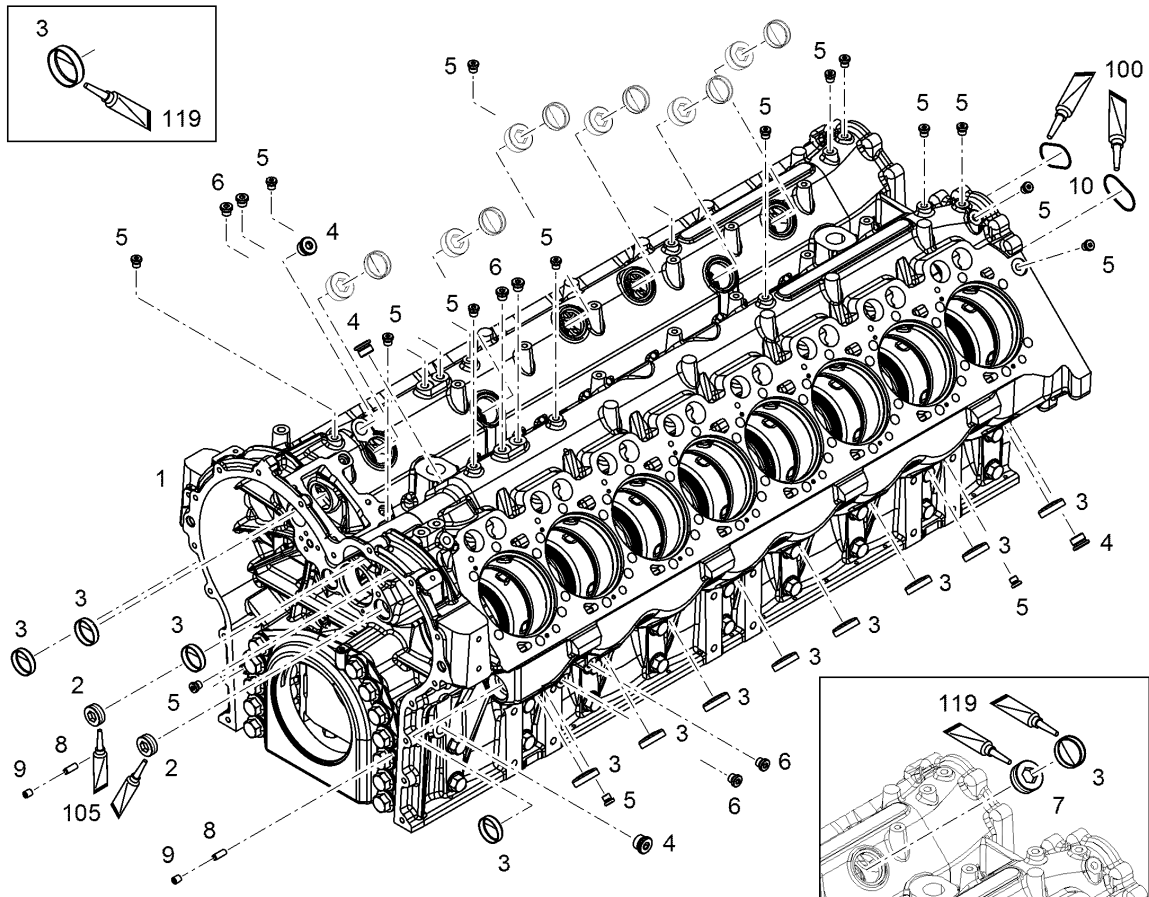
Po s.	Part No.	Ver	Description	Qty.	Un	S/N from	S/N to	Page
480	230612378	-	Lifting device	1	UN			98
520	230610764	-	Flywheel housing mounting	1	UN			99
521	230610434	-	Control plate assembly	2	UN			100
530	230612297	-	Flywheel assembly	1	UN			101
570	230612386	-	Motor control device	2	UN			102
571	230612252	-	Control box annexe	1	UN			103
580	230612237	-	Cable harness mounting	1	UN			105
581	230612282	-	Engine control sensors	1	UN			107
992	230612283	-	Engine electrics	1	UN			113



Crankcase cpl.

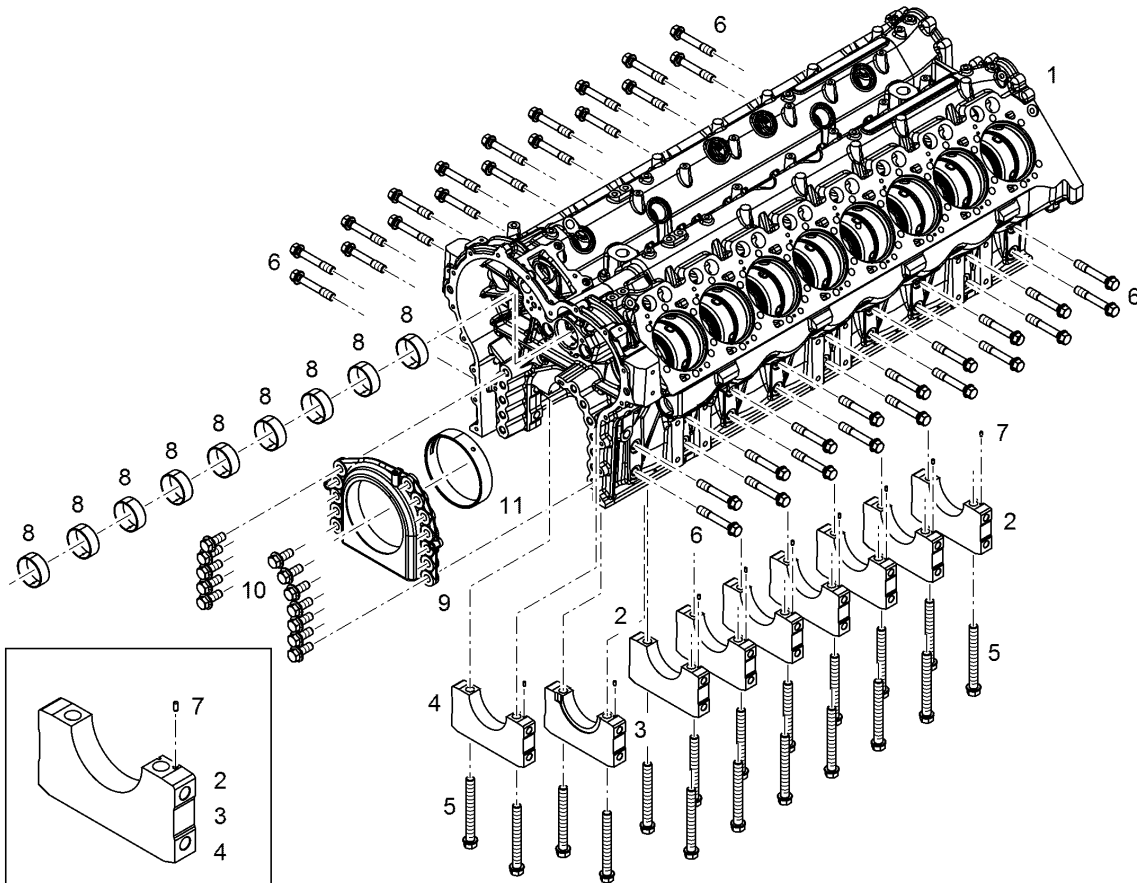
230612263

Po s.	Part No.	Ver	Description	Qty.	Un S/N from	S/N to	Page
1	230612264	-	Crankcase pre-assy.	1	UN		6
2	230610376	-	Screw plug	2	UN		
3	230610478	-	End cover	32	UN		
4	230610066	-	Screw plug	6	UN		
5	230610064	-	Screw plug	20	UN		
6	230610065	-	Screw plug	8	UN		
7	230610720	-	Screw plug	12	UN		
8	230610406	-	Parallel pin	2	UN		
9	230610470	-	Sealing plug	2	UN		
10	230610779	-	Seal	2	UN		
100	230610702	-	Grease	1	UN		7
105	230611017	-	Screw locking	1	UN		
115	230610431	-	Glue	1	UN		



Crankcase pre-assy. 230612264

Po s.	Part No.	Ver	Description	Qty.	Un S/N from	S/N to	Page
1	230612261	-	Crankcase	1	UN		
2	230610640	-	Main bearing cap	7	UN		
3	230610638	-	Cover	1	UN		
4	230610639	-	Main bearing cap	1	UN		
5	230610581	-	Hexagon head screw	18	UN		
6	230610582	-	Hexagon head screw	36	UN		
7	230610391	-	Parallel pin	9	UN		
8	230610527	-	Camshaft bearing	9	UN		
9	230610635	-	Housing pre-assembled	1	UN		
10	230610946	-	Hex screw	12	UN		
11	230610591	-	Bearing	1	UN		



Grease

230610702

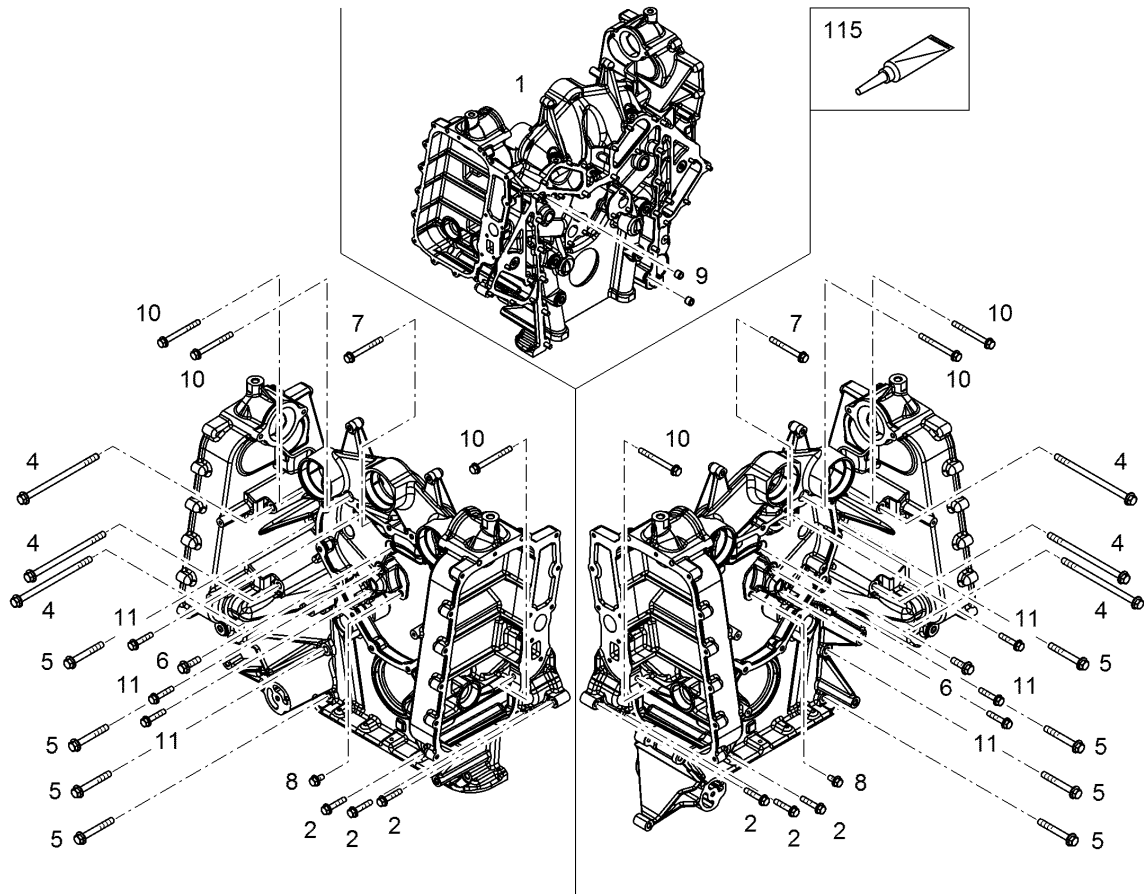
Pos.	Part No.	Ver	Description	Qty.	Un S/N from	S/N to	Page
10	230612310	-	Grease	1	UN		

Our apologies:
No illustration is currently
available.

Power unit support attachment

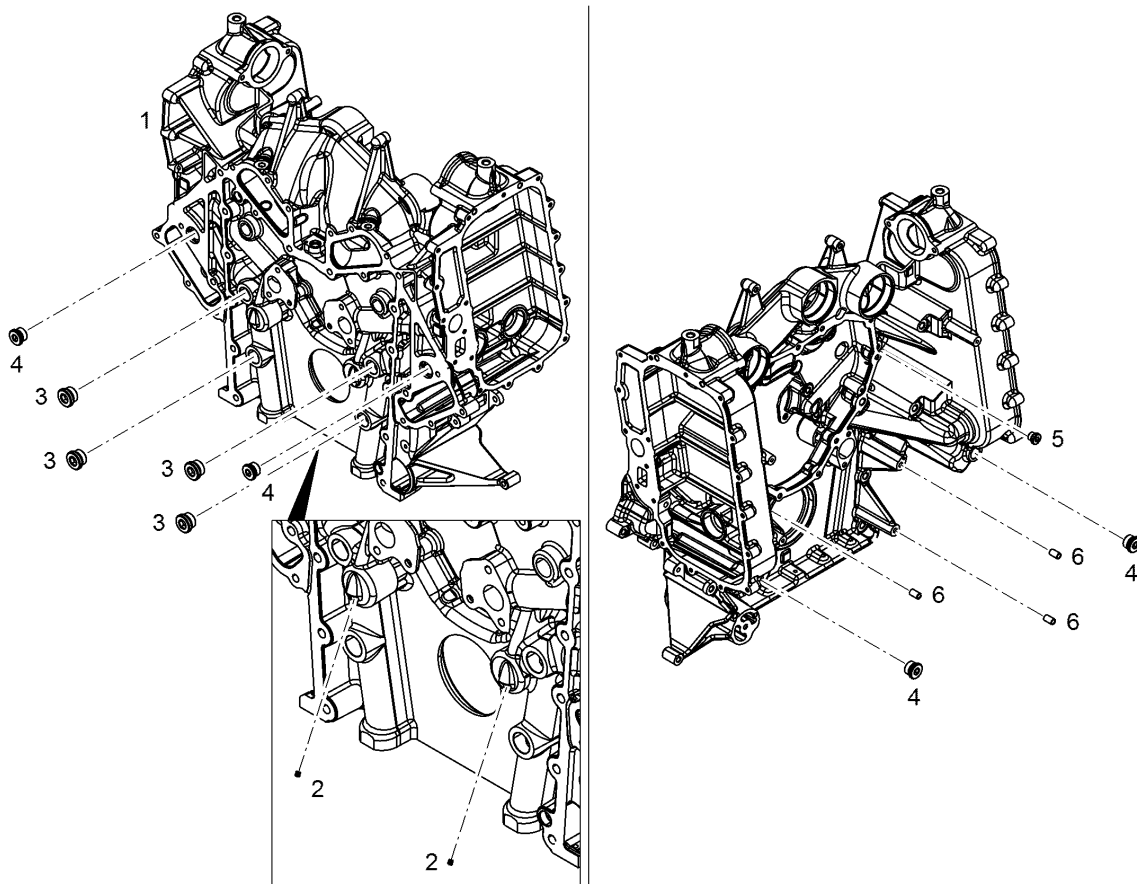
230610686

Po s.	Part No.	Ver	Description	Qty.	Un S/N from	S/N to	Page
1	230610905	-	Housing pre-assembled	1	UN		9
2	230612315	-	Hex screw	12	UN		
3	230612316	-	Hex screw	6	UN		
4	230612317	-	Hex screw	8	UN		
5	230612318	-	Hex screw	2	UN		
6	230612319	-	Hex screw	2	UN		
7	230610464	-	Hex screw	2	UN		
8	230612320	-	Hex screw	6	UN		
9	230610510	-	Tight fit sleeve	2	UN		
115	230610710	-	Surface sealing	1	UN		



Housing pre-assembled 230610905

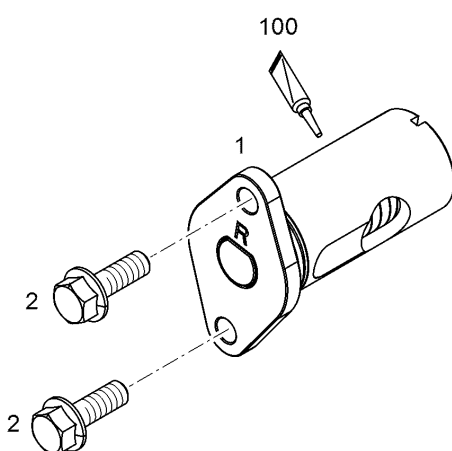
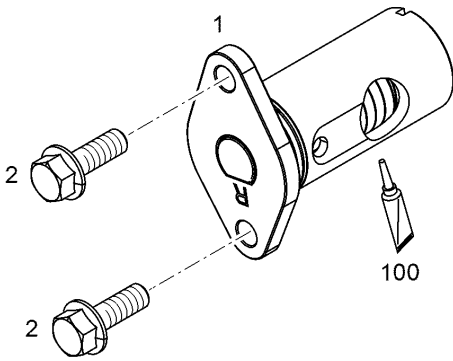
Po s.	Part No.	Ver	Description	Qty.	Un S/N from	S/N to	Page
1	230610904	-	Housing	1	UN		
2	230611977	-	Screw	2	UN		
3	230610071	-	Screw plug	4	UN		
4	230610066	-	Screw plug	4	UN		
5	230610064	-	Screw plug	2	UN		
6	230610488	-	Threaded insert	3	UN		
102	230611978	-	Thread lock	1	UN		



Final control valve

230610769

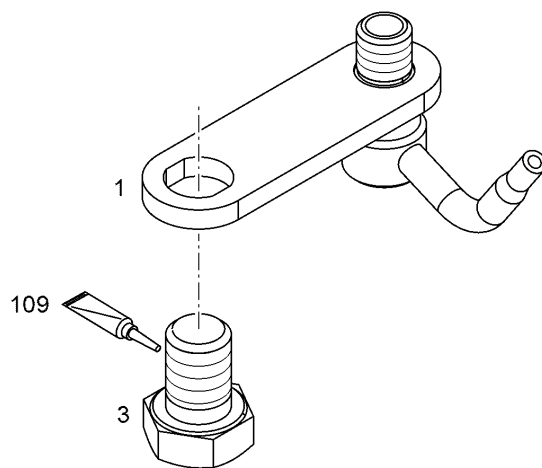
Po s.	Part No.	Ver	Description	Qty.	Un S/N from	S/N to	Page
1	230610657	-	Pressure limiting valve	2	UN		
2	230610323	-	Hex screw	4	UN		
100	230610702	-	Grease	1	UN		7



Piston cooling

230610570

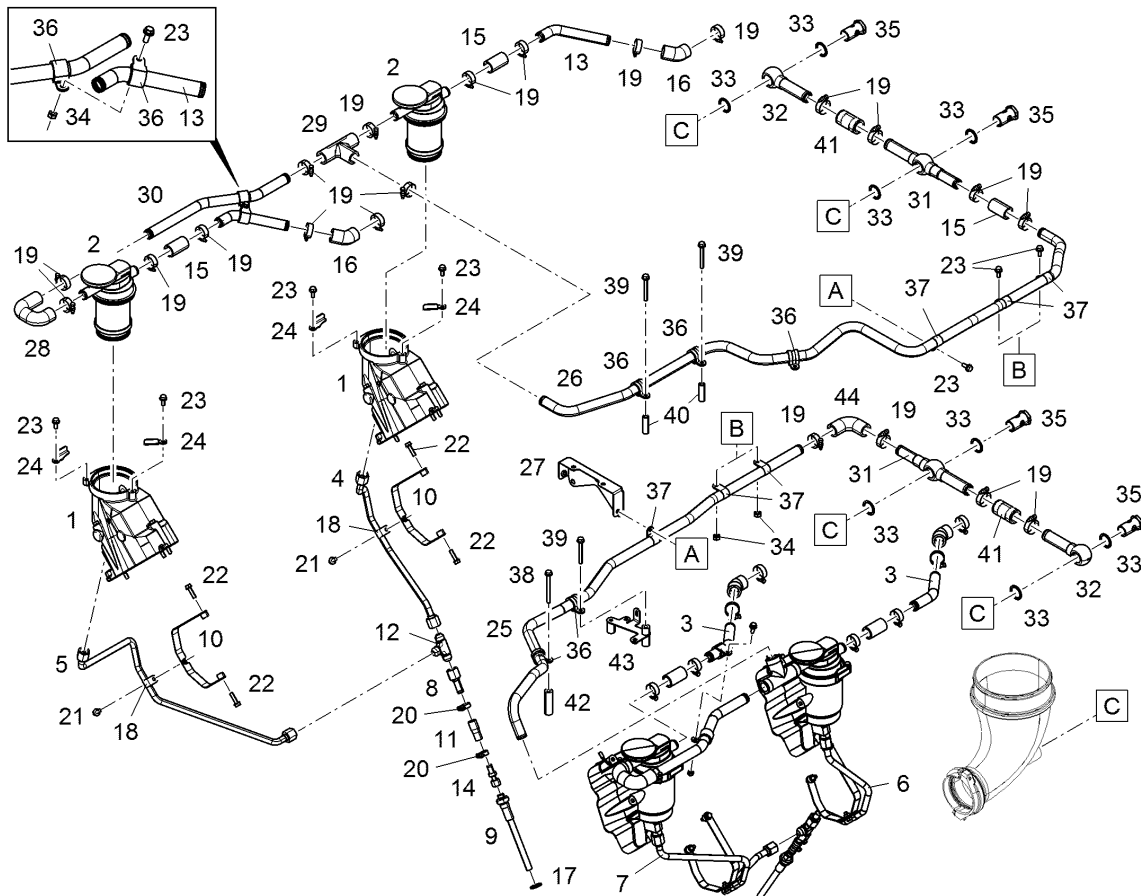
Po s.	Part No.	Ver	Description	Qty.	Un S/N from	S/N to	Page
1	230610760	-	Nozzle pre-ass.	1	UN		
3	230610482	-	Hex screw	1	UN		
109	230611017	-	Screw locking	1	UN		



Crankcase breather assembly

230612262

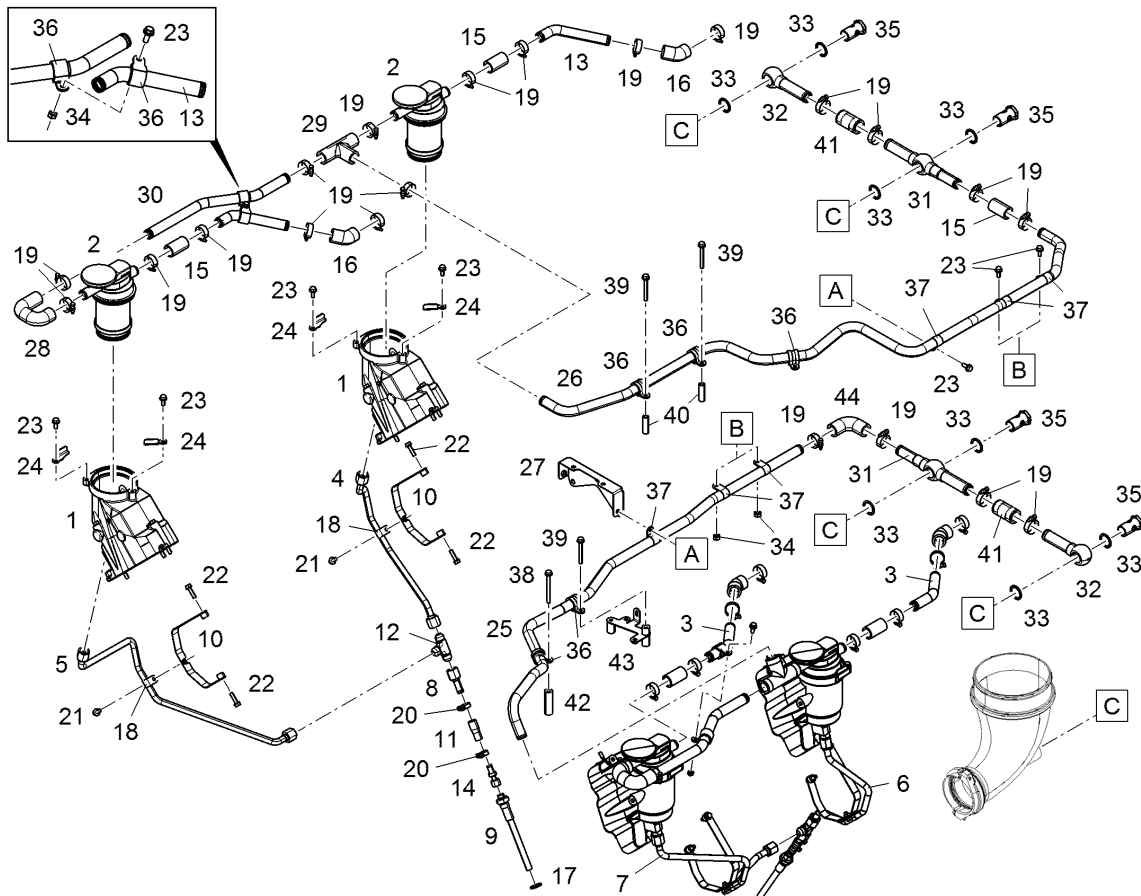
Po s.	Part No.	Ver	Description	Qty.	Un S/N from	S/N to	Page
1	230611006	-	Cylinder head cover assembly	4	UN		15
2	230612398	-	Oil separator	4	UN		16
3	230610624	-	Tube	2	UN		
4	230612390	-	Oil return pipe	1	UN		
5	230612391	-	Oil return pipe	1	UN		
6	230612392	-	Oil return pipe	1	UN		
7	230612393	-	Oil return pipe	1	UN		
8	230612389	-	Oil line	2	UN		
9	230610623	-	Oil line	2	UN		
10	230610630	-	Console	4	UN		
11	230610512	-	Rubber connection	2	UN		
12	230610937	-	Flange joint	2	UN		
13	230610631	-	Tube	2	UN		
14	230610500	-	Non-return valve	2	UN		
15	230610449	-	Rubber connection	5	UN		
16	230610453	-	Rubber connection	4	UN		



Crankcase breather assembly

230612262

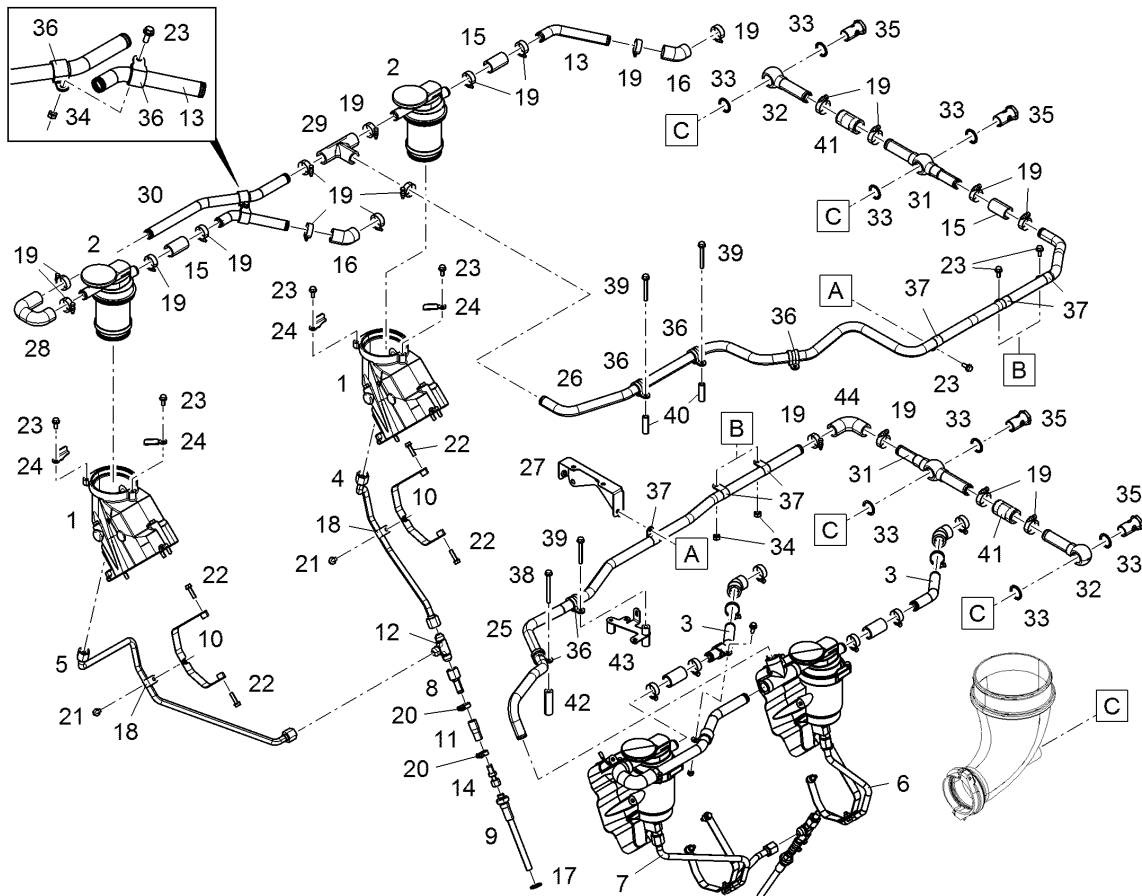
Po s.	Part No.	Ver	Description	Qty.	Un S/N from	S/N to	Page
17	230610057	-	Sealing ring	2	UN		
18	230610718	-	Clamp	4	UN		
19	230610085	-	Hose clamp	34	UN		
20	230610389	-	Hose clamp	4	UN		
21	230612333	-	Hex screw	4	UN		
22	230610322	-	Hex screw	8	UN		
23	230610319	-	Hex screw	13	UN		
24	230610538	-	Holder	8	UN		
25	230612415	-	Pipeline	1	UN		
26	230612416	-	Pipeline	1	UN		
27	230612249	-	Console	1	UN		
28	230610531	-	Rubber connection	2	UN		
29	230610518	-	Rubber connection	2	UN		
30	230610879	-	Tube	2	UN		
31	230612417	-	Pipeline	2	UN		
32	230612418	-	Pipeline	2	UN		



Crankcase breather assembly

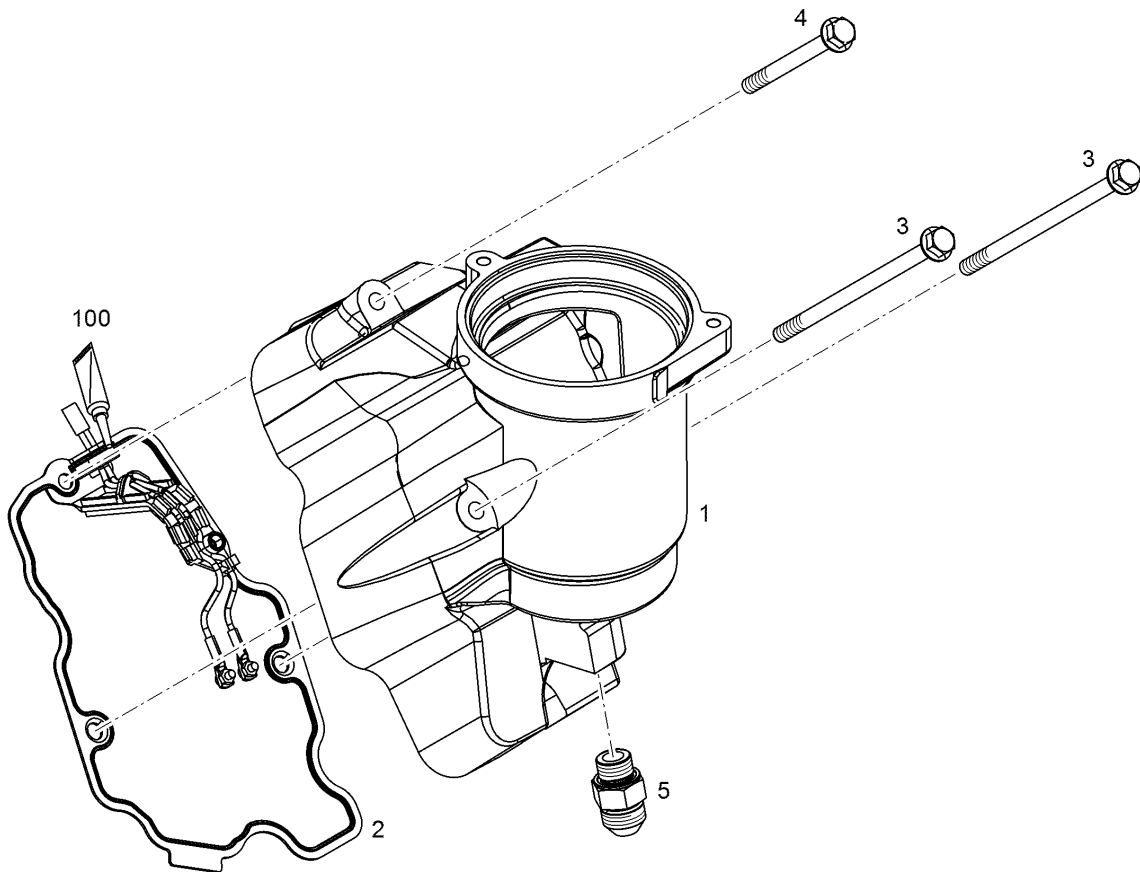
230612262

Po s.	Part No.	Ver	Description	Qty.	Un S/N from	S/N to	Page
33	230610054	-	Sealing ring	8	UN		
34	230612312	-	Hex nut	4	UN		
35	230612363	-	Hollow screw	4	UN		
36	230610426	-	Clamp	9	UN		
37	230610422	-	Clamp	6	UN		
38	230610486	-	Hex screw	1	UN		
39	230612329	-	Hex screw	3	UN		
40	230612270	-	Distance sleeve	2	UN		
41	230610213	-	Rubber connection	2	UN		
42	230612271	-	Distance sleeve	1	UN		
43	230612349	-	Holder	1	UN		
44	230610455	-	Rubber connection	1	UN		



Cylinder head cover assembly 230611006

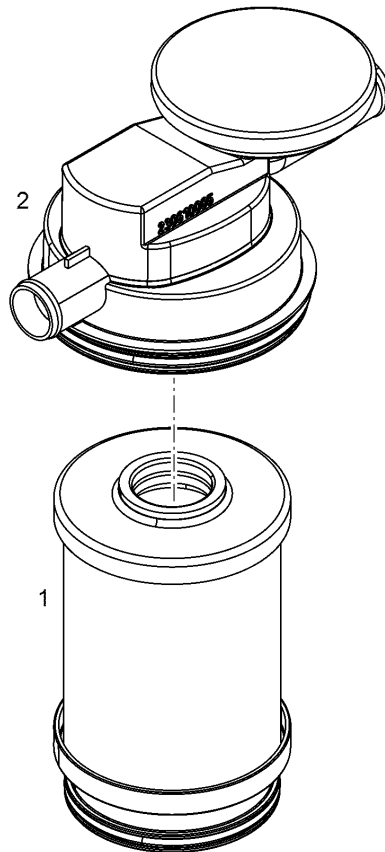
Po s.	Part No.	Ver	Description	Qty.	Un S/N from	S/N to	Page
1	230611005	-	Cylinder head cover	1	UN		
2	230610191	-	Seal	1	UN		
3	230612330	-	Hex screw	2	UN		
4	230612331	-	Hex screw	1	UN		
5	230610245	-	Flange joint	1	UN		
100	230611882	-	Lubricant paste	1	UN		



Oil separator

230612398

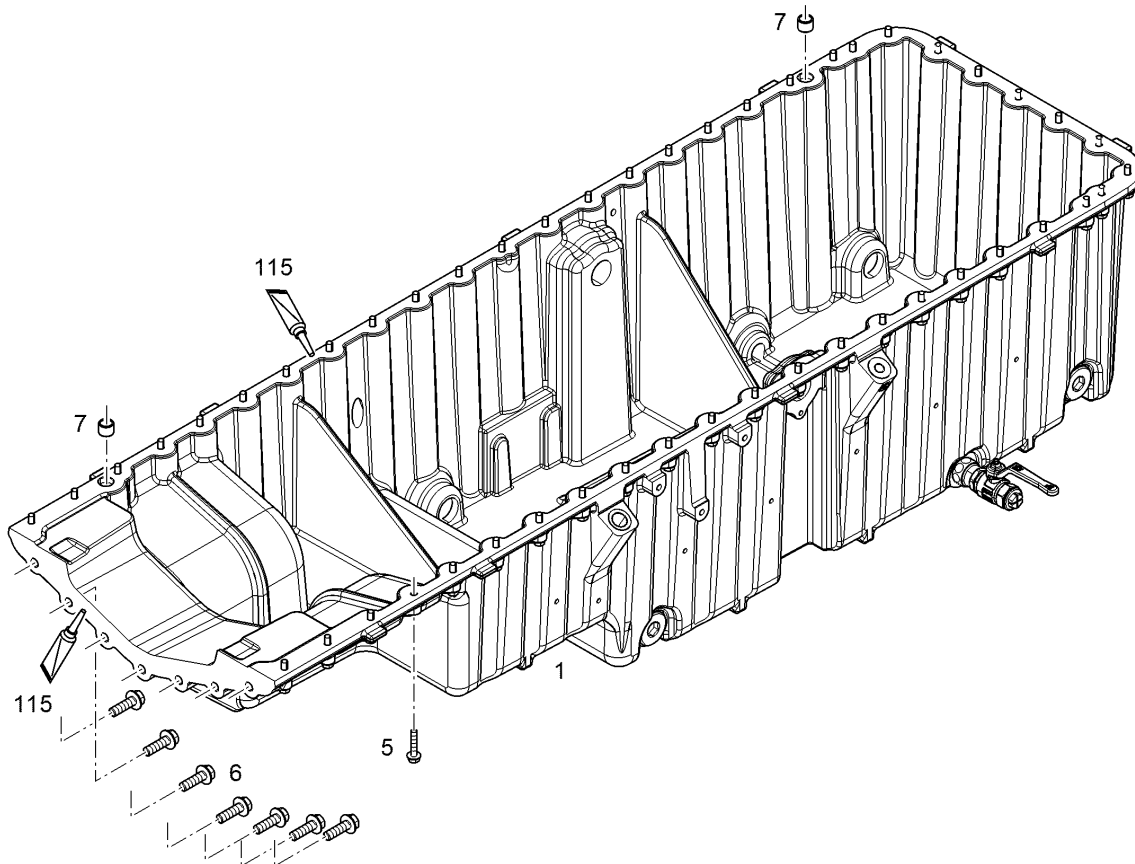
Po s.	Part No.	Ver	Description	Qty.	Un S/N from	S/N to	Page
1	230611088	-	Oil breather filter	1	UN		
2	230610005	-	Regulating valve	1	UN		



Oil sump with fastening

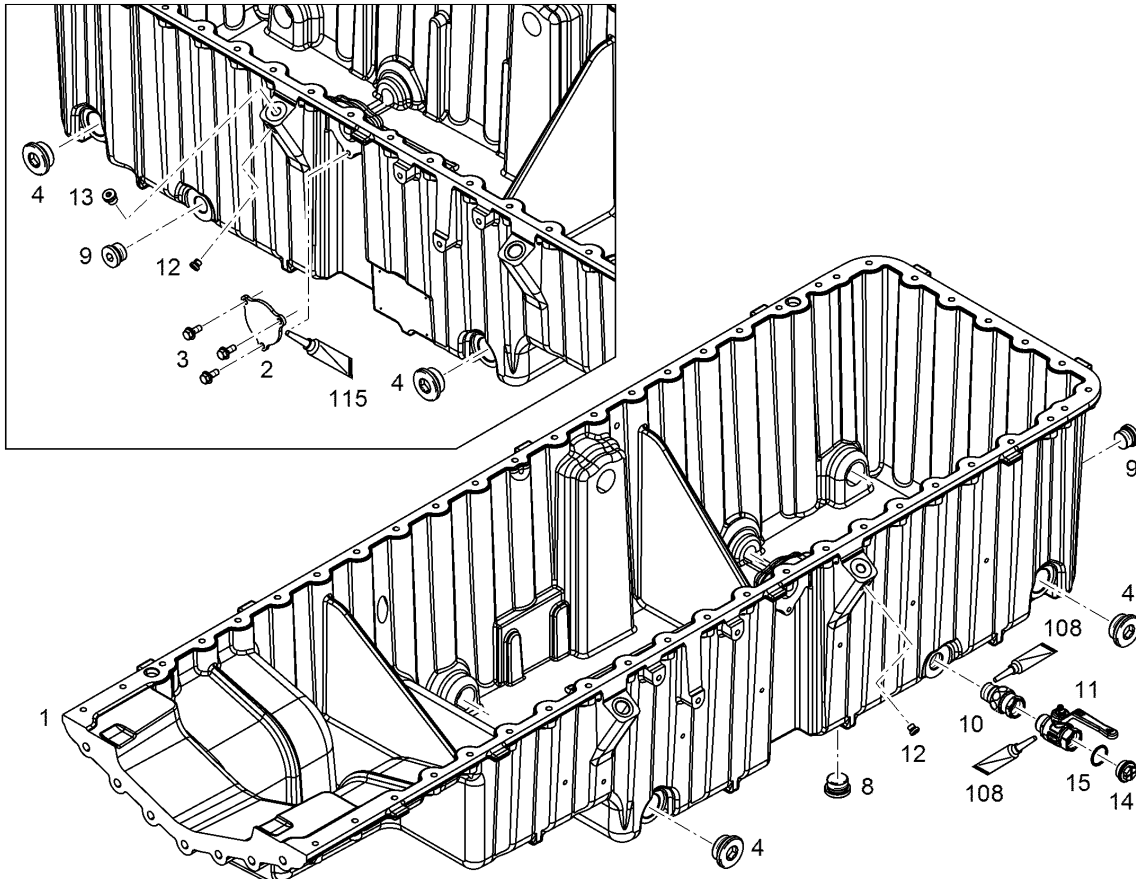
230612401

Po s.	Part No.	Ver	Description	Qty.	Un S/N from	S/N to	Page
1	230612400	-	Oil sump pre-ass.	1	UN		18
5	230610324	-	Hex screw	49	UN		
6	230610336	-	Hex screw	7	UN		
7	230610446	-	Tight fit sleeve	2	UN		
115	230610710	-	Surface sealing	1	UN		



Oil sump pre-ass. 230612400

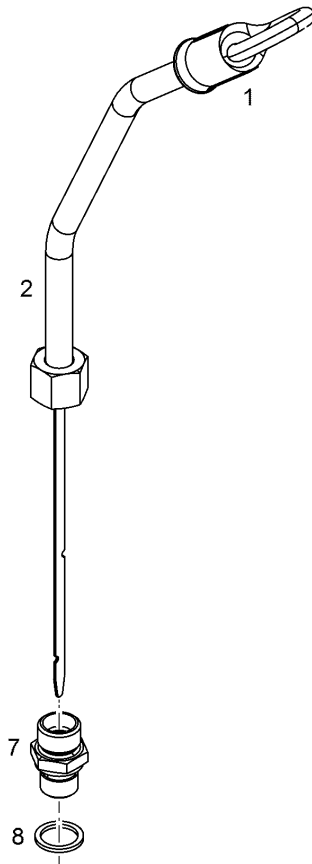
Po s.	Part No.	Ver	Description	Qty.	Un S/N from	S/N to	Page
1	230612399	-	Oil sump	1	UN		
2	230610602	-	Plate	1	UN		
3	230610319	-	Hex screw	3	UN		
4	230610070	-	Screw plug	4	UN		
8	230610071	-	Screw plug	1	UN		
9	230610067	-	Screw plug	2	UN		
10	230610252	-	Double nipple	1	UN		
11	230610274	-	Shut-off valve	1	UN		
12	230610063	-	Screw plug	2	UN		
13	230610064	-	Screw plug	1	UN		
14	230612438	-	Sealing plug	1	UN		
15	230612402	-	O-ring	1	UN		
108	230611016	-	Sealing compound	1	UN		
115	230610710	-	Surface sealing	1	UN		



Dipstick

230611936

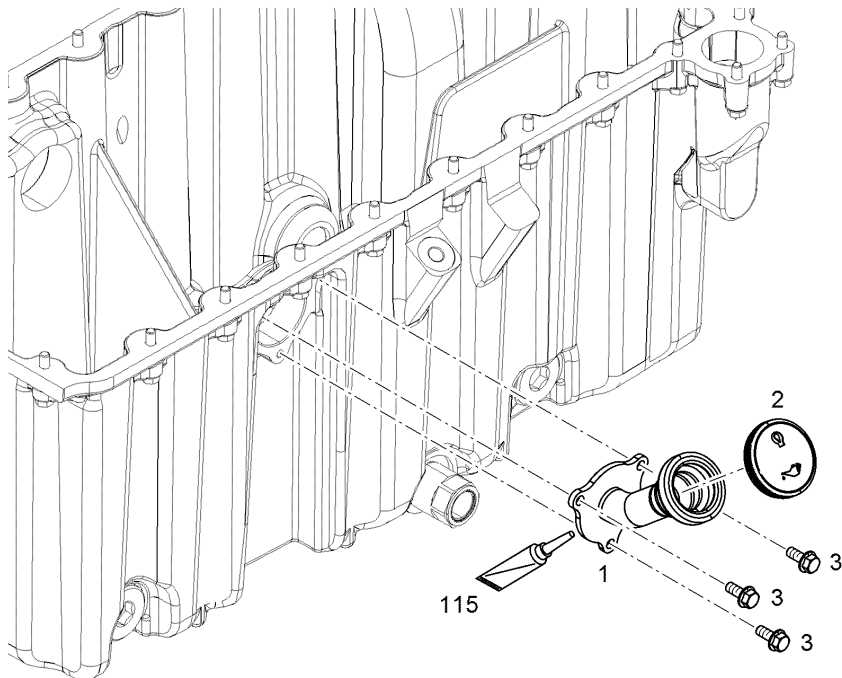
Po s.	Part No.	Ver	Description	Qty.	Un S/N from	S/N to	Page
1	230611960	-	Dipstick	1	UN		
2	230610546	-	Guiding pipe	1	UN		
7	230610442	-	Fittings	1	UN		
8	230610409	-	Sealing ring	1	UN		



Oil filler inlet

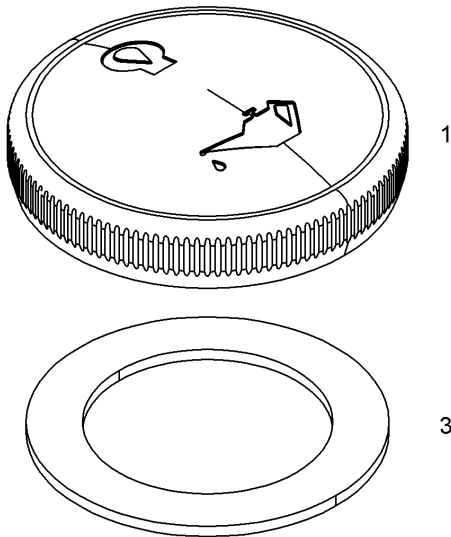
230610257

Po s.	Part No.	Ver	Description	Qty.	Un S/N from	S/N to	Page
1	230610683	-	Filler neck	1	UN		
2	230610152	-	End cover	1	UN		21
3	230610318	-	Hex screw	3	UN		
115	230610710	-	Surface sealing	1	UN		



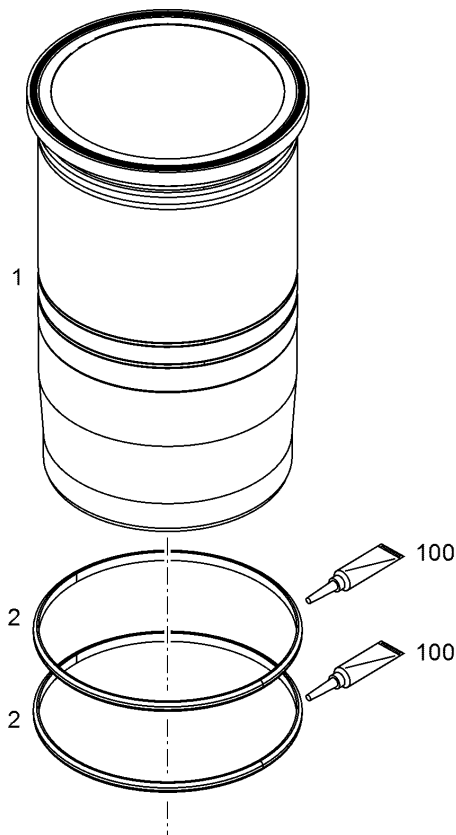
End cover 230610152

Po s.	Part No.	Ver	Description	Qty.	Un S/N from	S/N to	Page
1	230610444	-	Cover	1	UN		
3	230610445	-	Seal	1	UN		



Cylinder 230610155

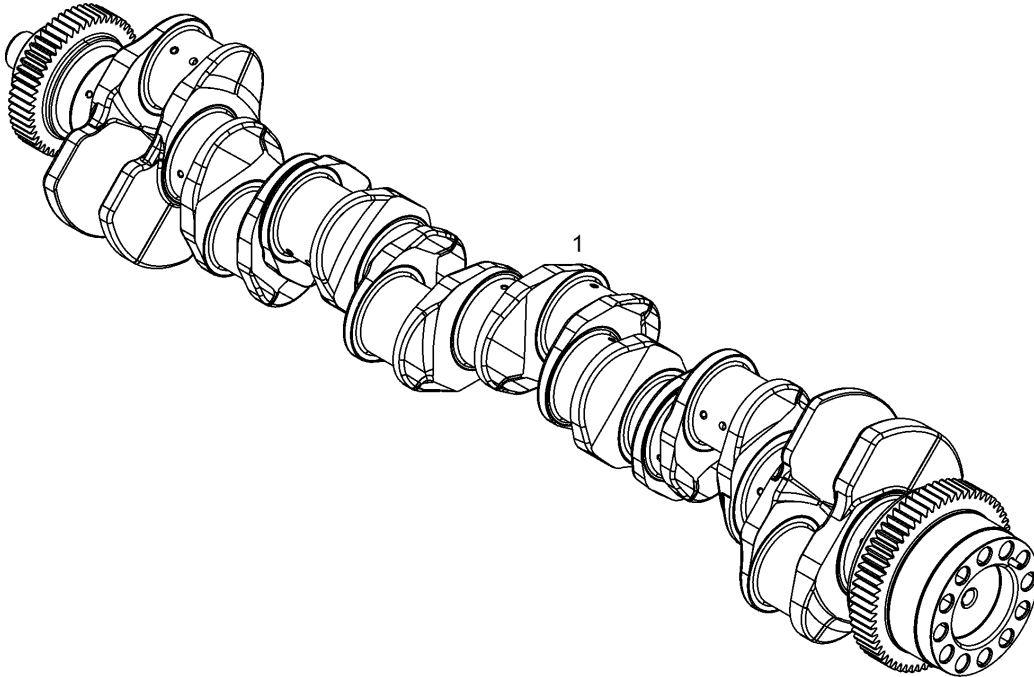
Po s.	Part No.	Ver	Description	Qty.	Un S/N from	S/N to	Page
1	230610877	-	Cylinder liner	1	UN		
2	230611456	-	O-ring	2	UN		
100	230610702	-	Grease	1	UN		7



Crankshaft cpl.

230612266

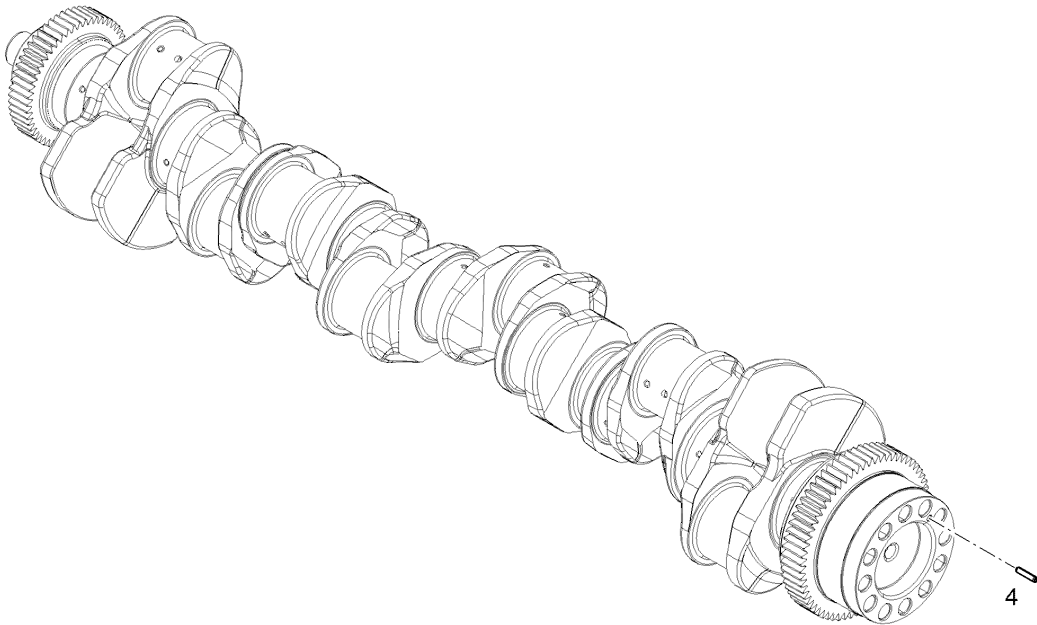
Po s.	Part No.	Ver	Description	Qty.	Un S/N from	S/N to	Page
1	230612267	-	Crankshaft with gear	1	UN		24



Crankshaft with gear

230612267

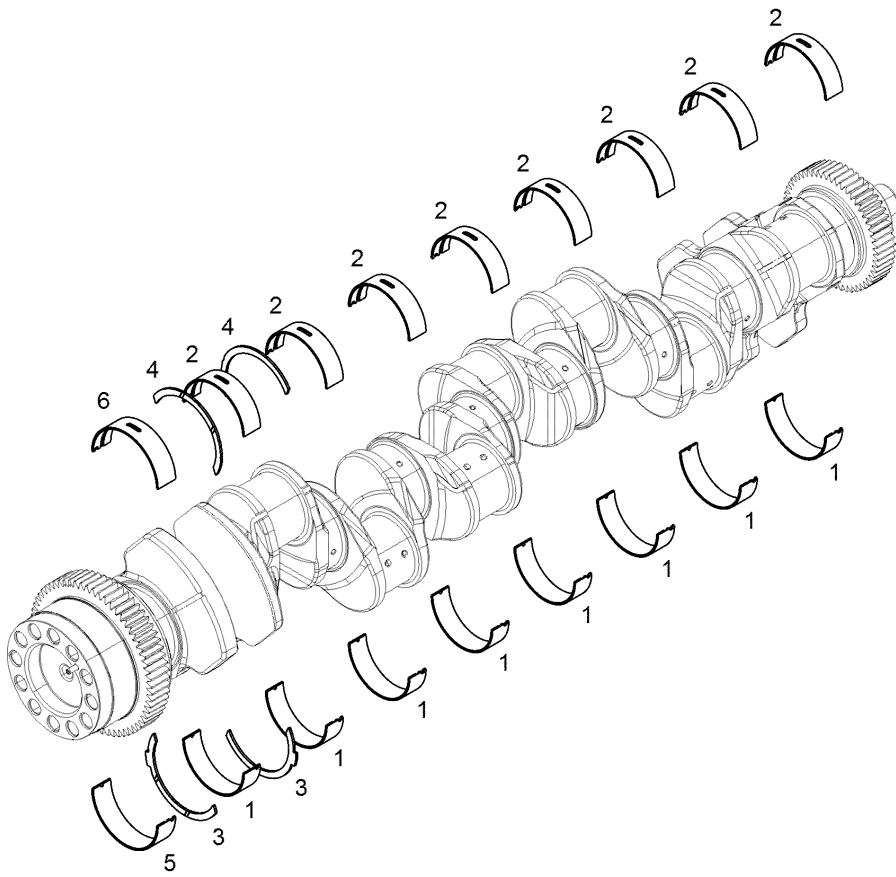
Pos.	Part No.	Ver	Description	Qty.	Un S/N from	S/N to	Page
4	230610462	-	Spiral dowel pin	1	UN		



Crankshaft bearings

230612265

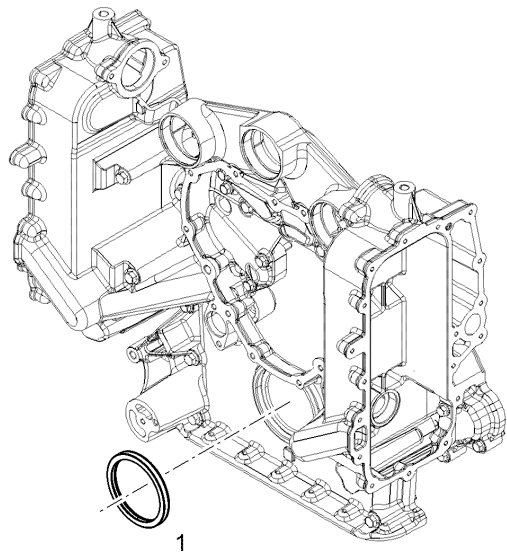
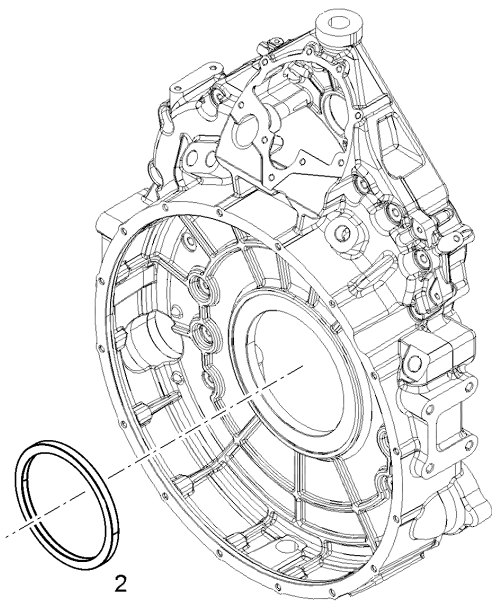
Po s.	Part No.	Ver	Description	Qty.	Un S/N from	S/N to	Page
1	230610560	-	Main bearing	8	UN		
2	230610561	-	Main bearing	8	UN		
3	230610583	-	Thrust washer	2	UN		
4	230610584	-	Thrust washer	2	UN		
5	230610564	-	Main bearing	1	UN		
6	230610565	-	Main bearing	1	UN		



Crankshaft sealing

230610585

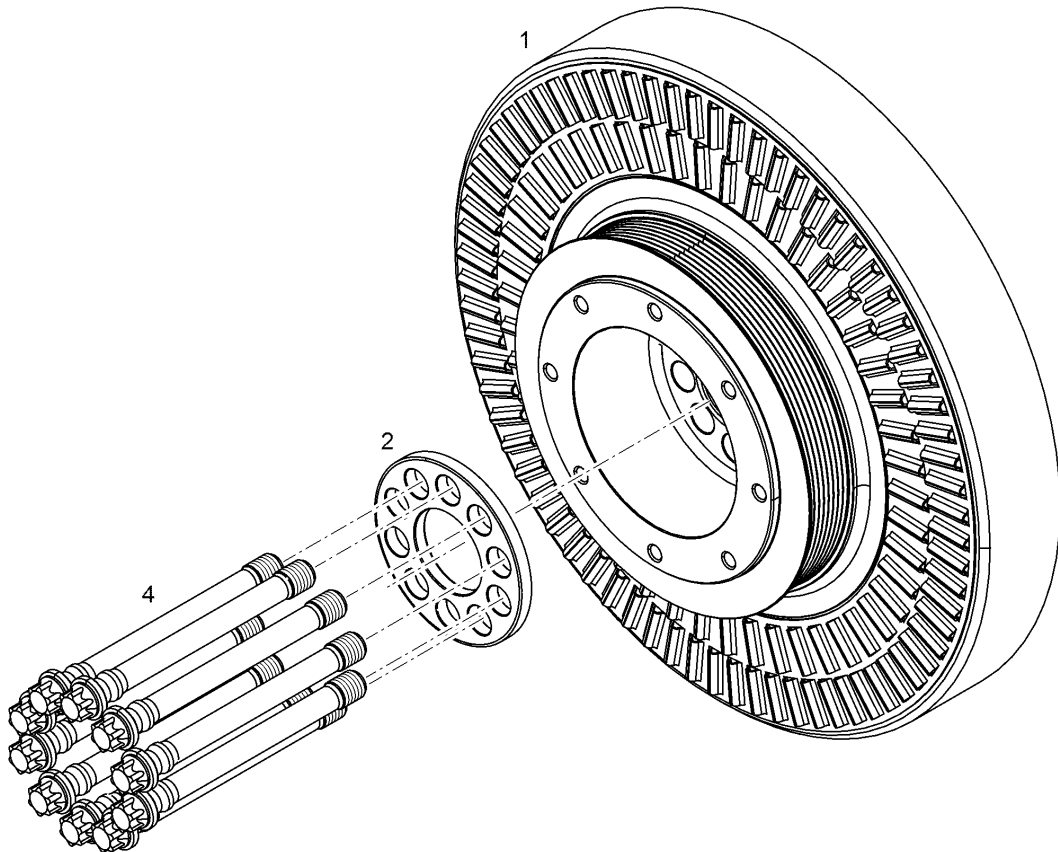
Po s.	Part No.	Ver	Description	Qty.	Un S/N from	S/N to	Page
1	230610196	-	Rotary shaft lip seal	1	UN		
2	230611963	-	Lipseal	1	UN		



Vibration damper

230611966

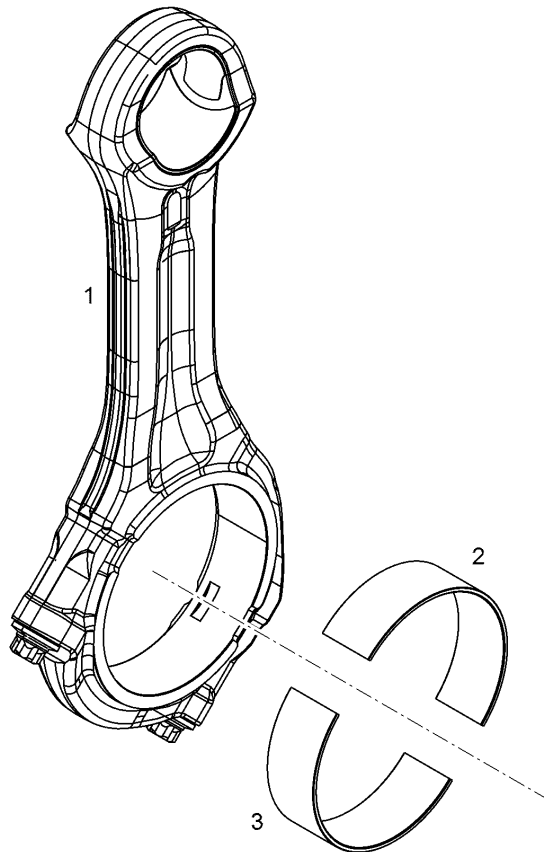
Po s.	Part No.	Ver	Description	Qty.	Un S/N from	S/N to	Page
1	230611991	-	Vibration damper	1	UN		
2	230611992	-	Ring	1	UN		
4	230611993	-	Screw	10	UN		



Connecting rod assembly

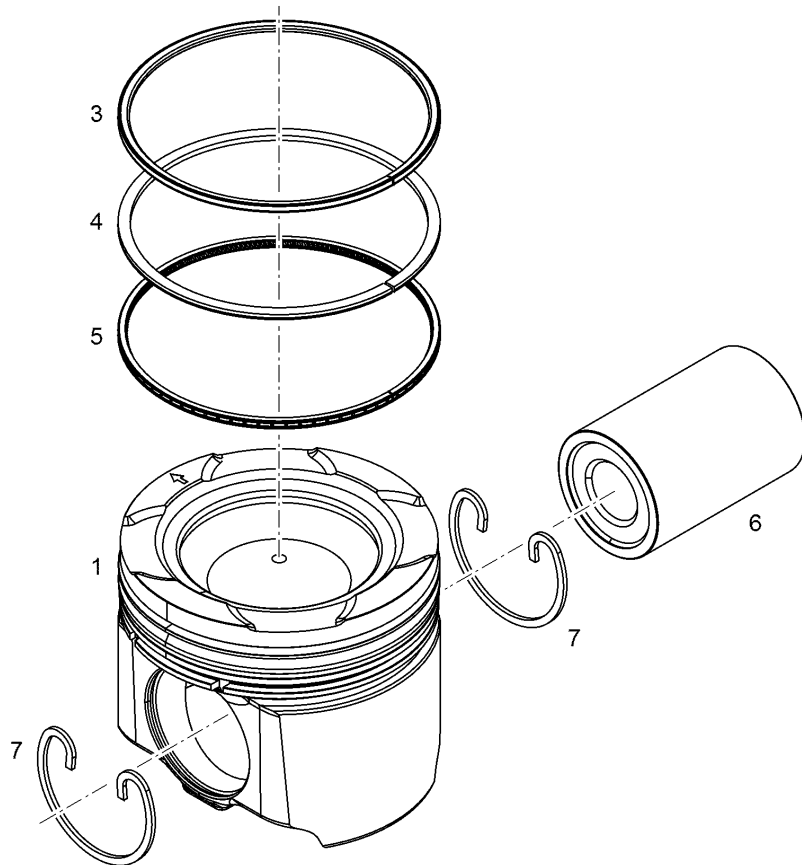
230610060

Po s.	Part No.	Ver	Description	Qty.	Un S/N from	S/N to	Page
1	230610557	-	Connecting rod pre-assy.	1	UN		
2	230610559	-	Connecting rod bearing	1	UN		
3	230610558	-	Connecting rod bearing	1	UN		



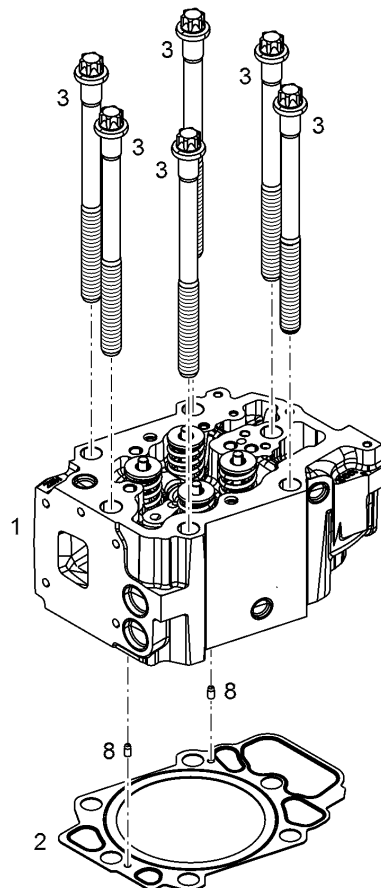
Piston cpl. 230610224

Po s.	Part No.	Ver	Description	Qty.	Un S/N from	S/N to	Page
1	230610847	-	Piston	1	UN		
3	230610268	-	Kb-ring	1	UN		
4	230610267	-	Piston ring mg	1	UN		
5	230610266	-	Dsf ring	1	UN		
6	230610588	-	Piston bolt	1	UN		
7	230610050	-	Locking ring	2	UN		



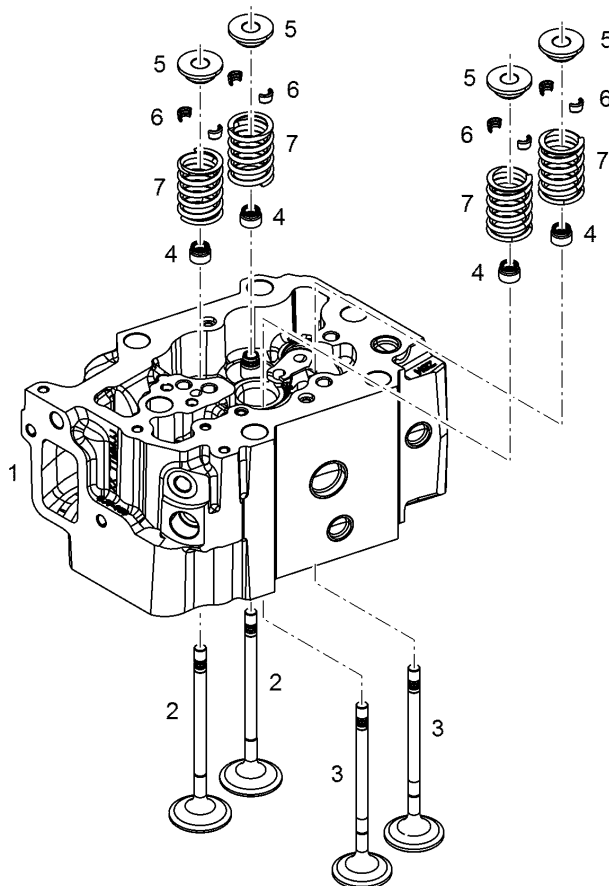
Cylinder head assembly 230610153

Po s.	Part No.	Ver	Description	Qty.	Un S/N from	S/N to	Page
1	230610919	-	Cylinder head pre-assy.	1	UN		31
2	230610190	-	Cylinder head gasket	1	UN		
3	230610363	-	Cylinder screw	6	UN		
8	230610181	-	Parallel pin	2	UN		



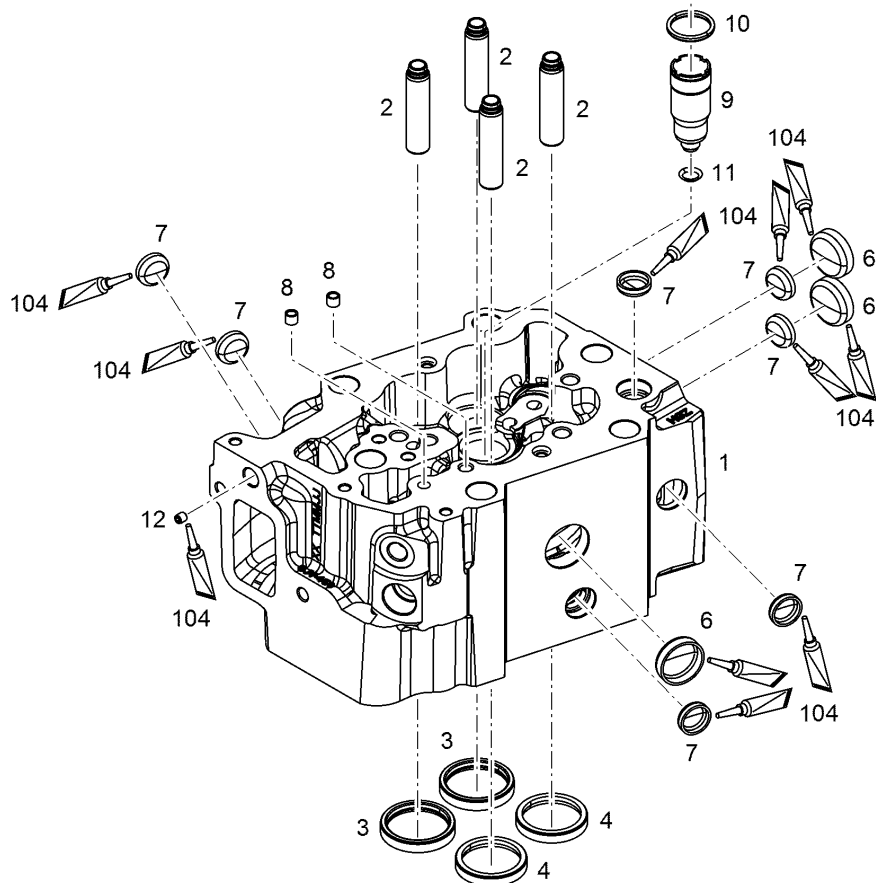
Cylinder head pre-assy. 230610919

Po s.	Part No.	Ver	Description	Qty.	Un S/N from	S/N to	Page
1	230610918	-	Cylinder head	1	UN		32
2	230610848	-	Inlet valve	2	UN		
3	230610552	-	Outlet valve	2	UN		
4	230610504	-	Valve stem seal ring	4	UN		
5	230610435	-	Spring support	4	UN		
6	230610777	-	Valve collet	8	UN		
7	230610463	-	Valve spring	4	UN		



Cylinder head 230610918

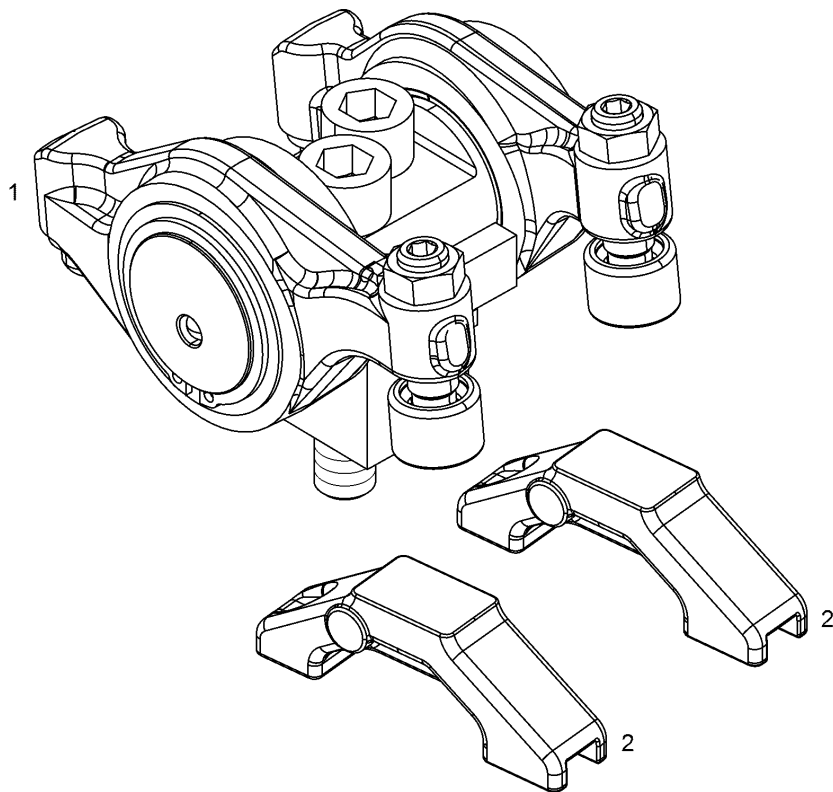
Po s.	Part No.	Ver	Description	Qty.	Un S/N from	S/N to	Page
1	230610895	-	Cylinder head	1	UN		
2	230610593	-	Valve stem guide	4	UN		
3	230610890	-	Inlet valve seat insert	2	UN		
4	230610554	-	Exhaust valve seat insert	2	UN		
6	230610397	-	End cover	3	UN		
7	230610398	-	End cover	7	UN		
8	230610477	-	Sealing plug	2	UN		
9	230610647	-	Sleeve	1	UN		
10	230610709	-	O-ring	1	UN		
11	230610441	-	O-ring	1	UN		
12	230610428	-	Nozzle	1	UN		
104	230611018	-	Glue	1	UN		



Rocker arms device cpl.

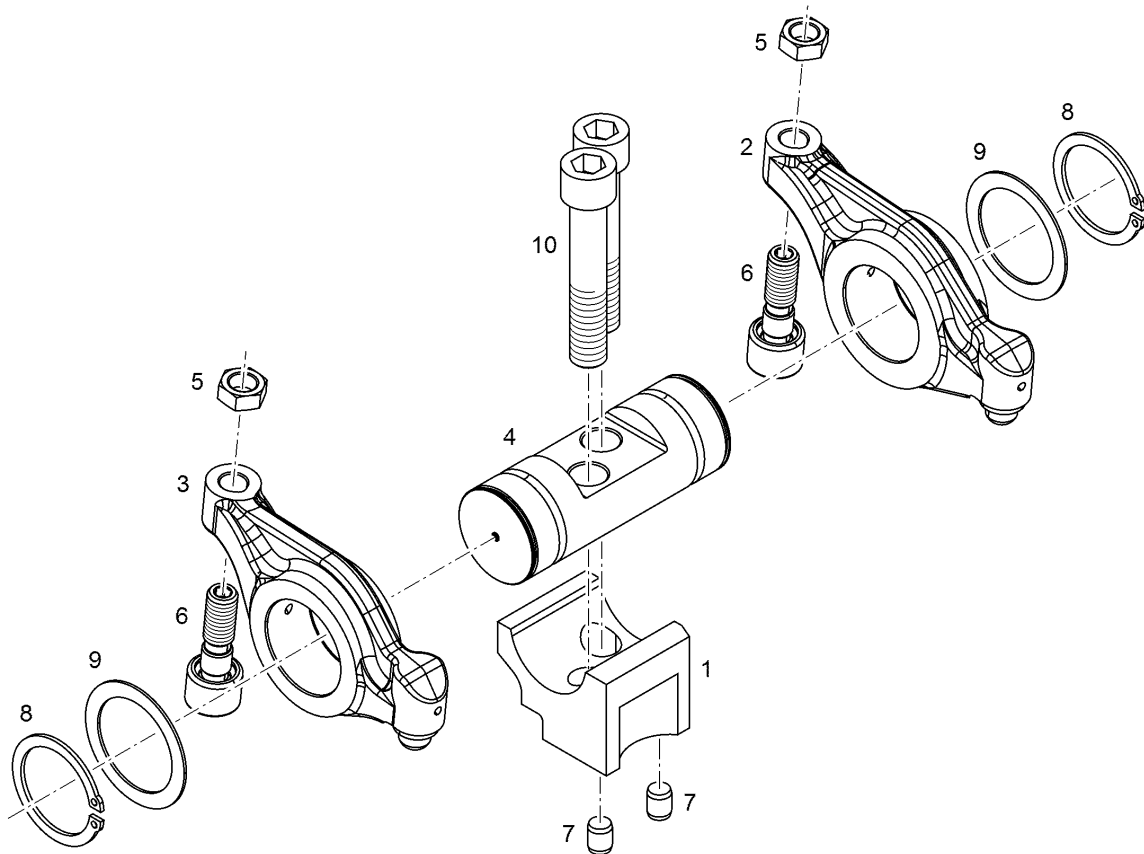
230610160

Po s.	Part No.	Ver	Description	Qty.	Un	S/N from	S/N to	Page
1	230610660	-	Rocker arm bracket pre-ass.	1	UN			34
2	230610697	-	Valve bridge	2	UN			



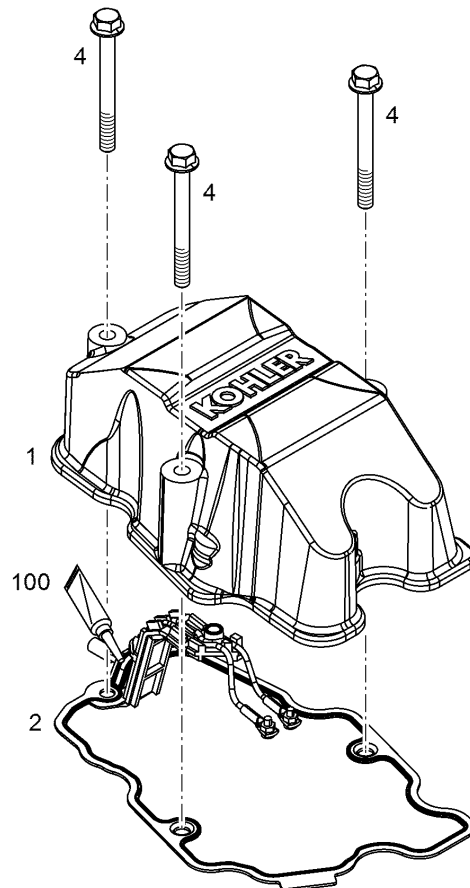
Rocker arm bracket pre-ass. 230610660

Po s.	Part No.	Ver	Description	Qty.	Un S/N from	S/N to	Page
1	230610759	-	Rocker arm support	1	UN		
2	230610762	-	Rocker arm	1	UN		
3	230610761	-	Rocker arm	1	UN		
4	230610763	-	Rocker axle pre-ass.	1	UN		
5	230610654	-	Hex nut	2	UN		
6	230610655	-	Adjusting screw	2	UN		
7	230610947	-	Parallel pin	2	UN		
8	230611013	-	Locking ring	2	UN		
9	230610656	-	Washer	2	UN		
10	230610708	-	Socket head screw	2	UN		



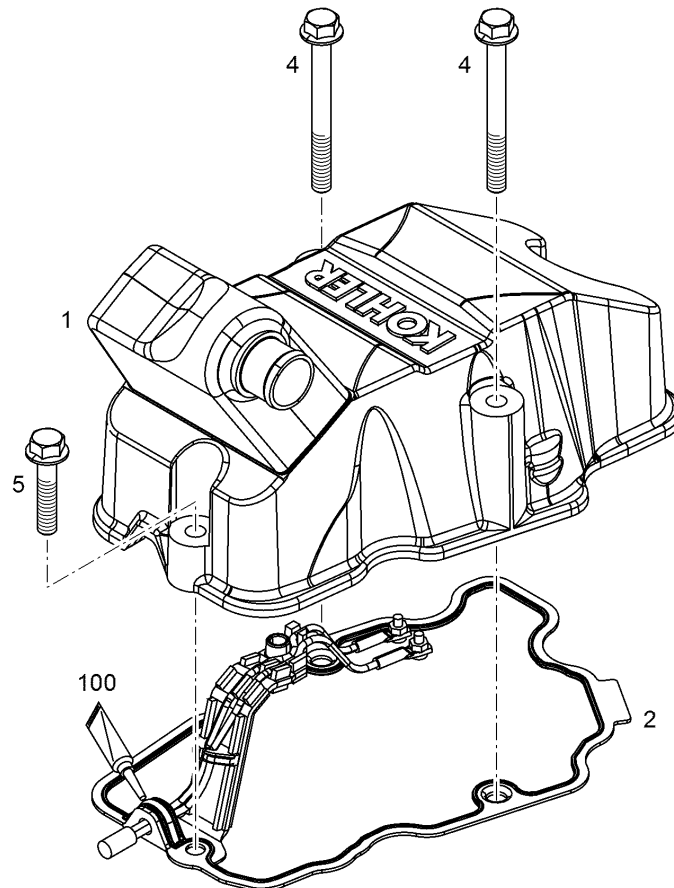
Cylinder head cover assembly 230610073

Po s.	Part No.	Ver	Description	Qty.	Un S/N from	S/N to	Page
1	230612269	-	Cylinder head cover	1	UN		
2	230610191	-	Seal	1	UN		
4	230611370	-	Hex screw	3	UN		
100	230611882	-	Lubricant paste	1	UN		



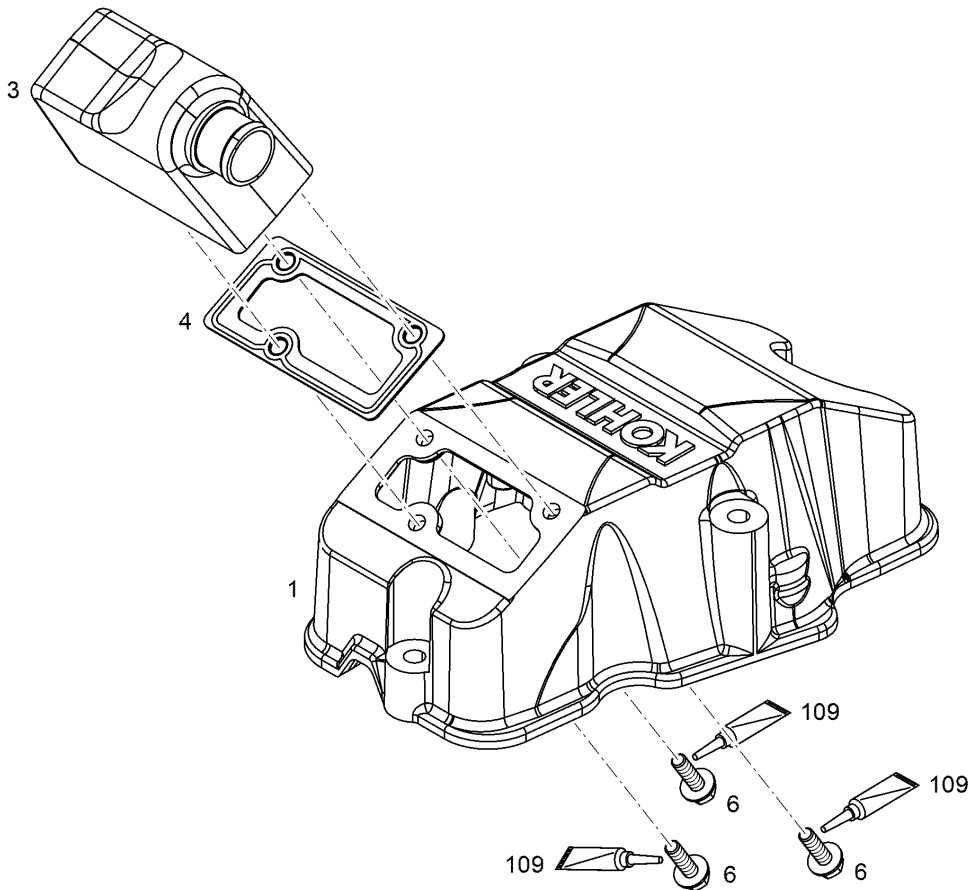
Cylinder head cover assembly 230610589

Po s.	Part No.	Ver	Description	Qty.	Un S/N from	S/N to	Page
1	230610809	-	Cylinder head cover assembly	1	UN		37
2	230610191	-	Seal	1	UN		
4	230611370	-	Hex screw	2	UN		
5	230611473	-	Hex screw	1	UN		
100	230611882	-	Lubricant paste	1	UN		



Cylinder head cover assembly 230610809

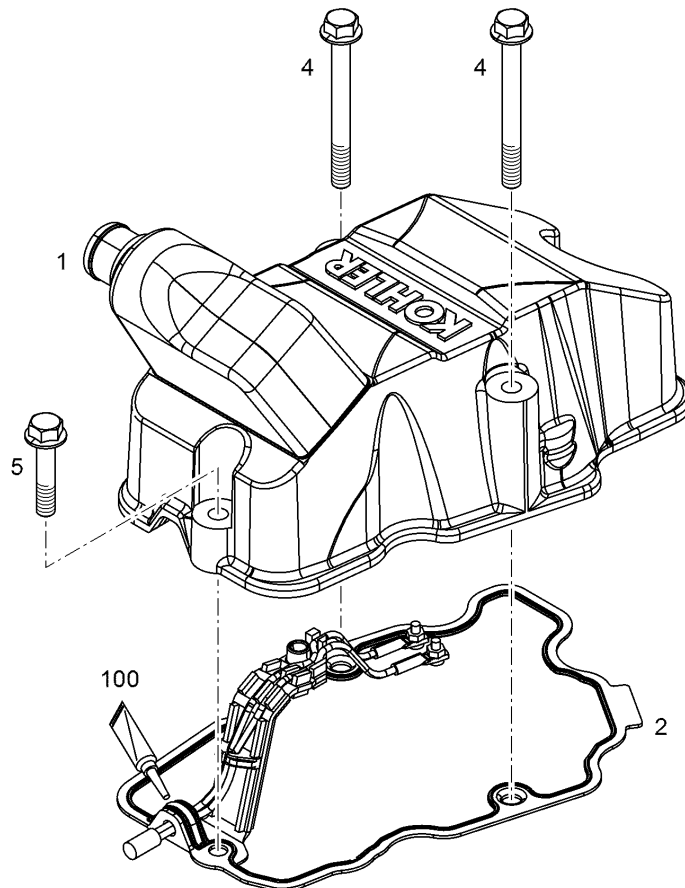
Po s.	Part No.	Ver	Description	Qty.	Un S/N from	S/N to	Page
1	230612268	-	Cylinder head cover	1	UN		
3	230610509	-	Connection piece	1	UN		
6	230610315	-	Hex screw	3	UN		
109	230611017	-	Screw locking	1	UN		
115	230610710	-	Surface sealing	1	UN		



Cylinder head cover assembly

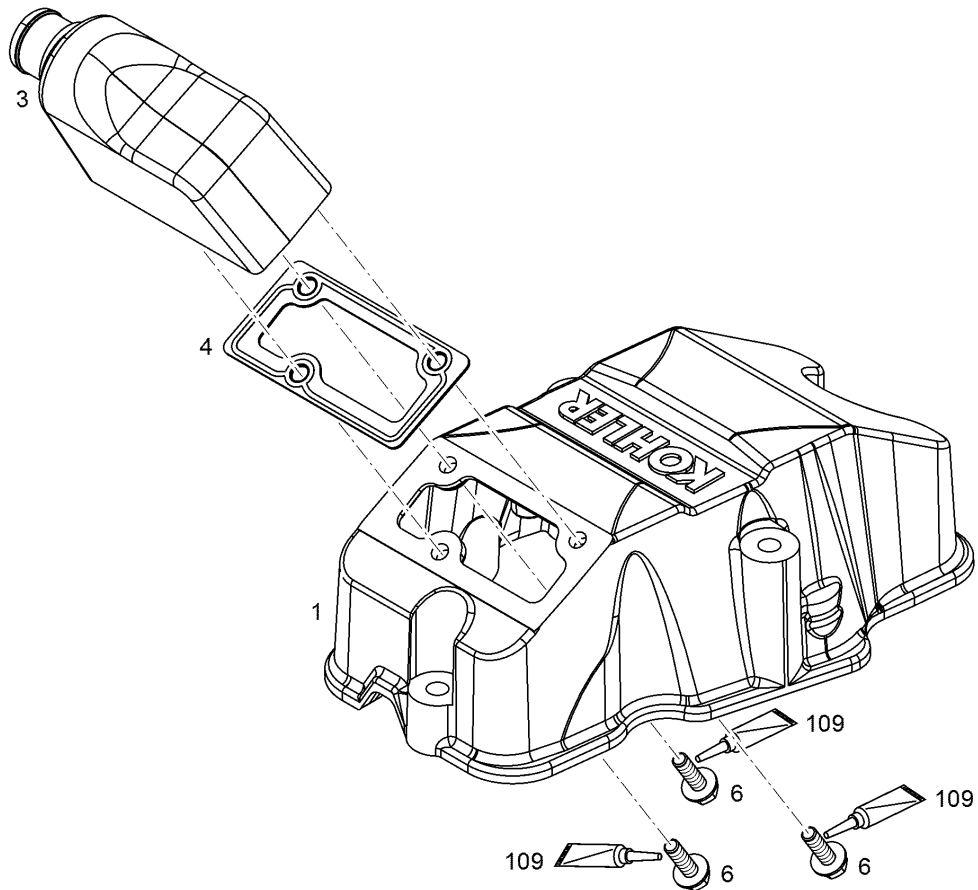
230610556

Po s.	Part No.	Ver	Description	Qty.	Un S/N from	S/N to	Page
1	230610808	-	Cylinder head cover assembly	1	UN		39
2	230610191	-	Seal	1	UN		
4	230611370	-	Hex screw	2	UN		
5	230611473	-	Hex screw	1	UN		
100	230611882	-	Lubricant paste	1	UN		



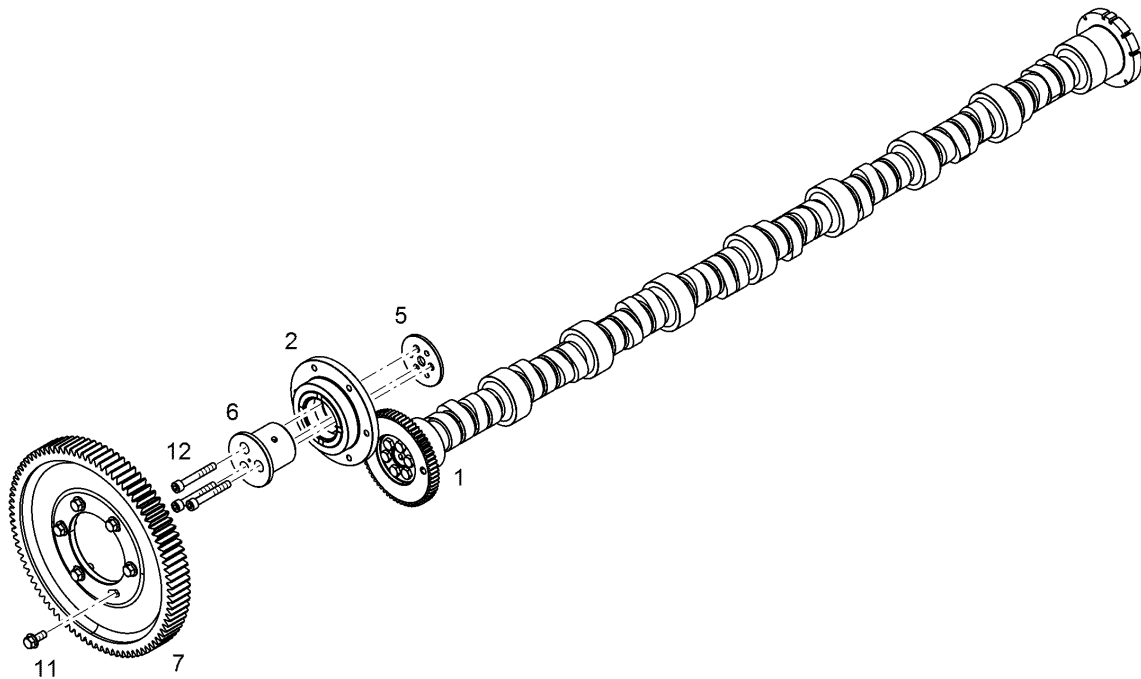
Cylinder head cover assembly 230610808

Po s.	Part No.	Ver	Description	Qty.	Un S/N from	S/N to	Page
1	230612268	-	Cylinder head cover	1	UN		
3	230610509	-	Connection piece	1	UN		
6	230610315	-	Hex screw	3	UN		
109	230611017	-	Screw locking	1	UN		
115	230610710	-	Surface sealing	1	UN		



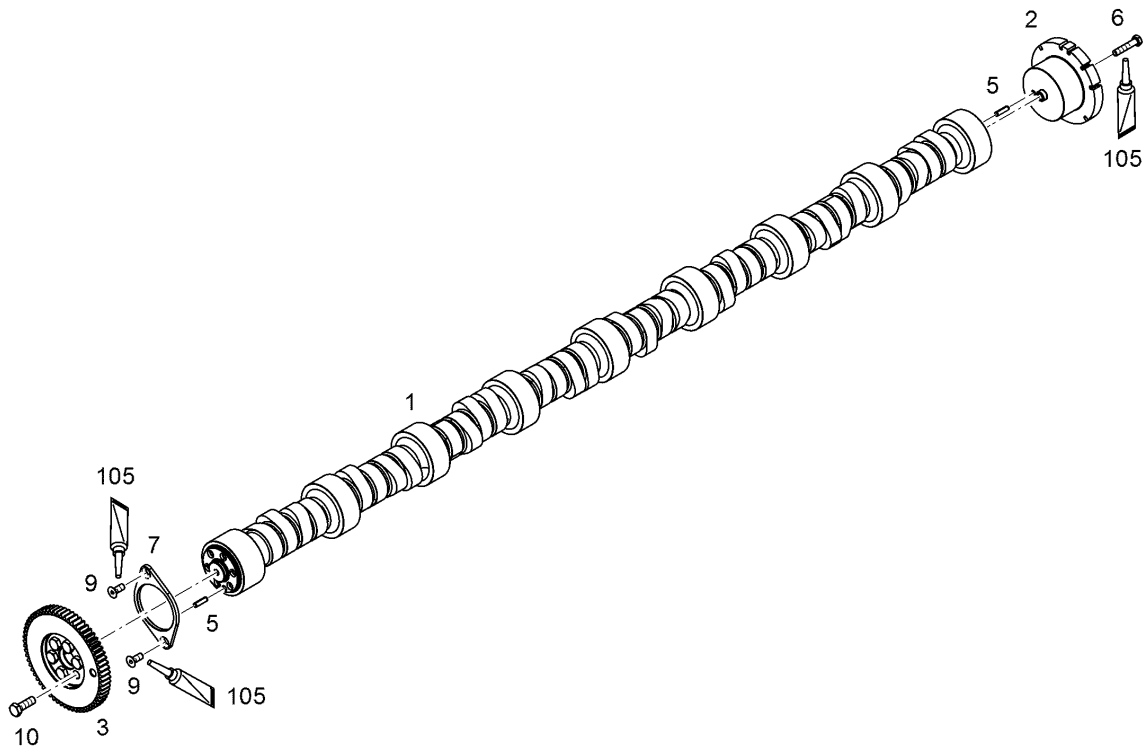
Camshaft cpl. 230612239

Po s.	Part No.	Ver	Description	Qty.	Un S/N from	S/N to	Page														
1	230612240	-	Camshaft pre-ass.	1	UN		41														
2	230610688	-	Gearwheel pre-ass.	1	UN																
5	230610569	-	Flange	1	UN																
6	230610568	-	Shaft	1	UN																
7	230610693	-	Gear wheel	1	UN </tr <tr> <td>11</td> <td>230610469</td> <td>-</td> <td>Hex screw</td> <td>6</td> <td>UN</td> <td></td> <td></td> </tr> <tr> <td>12</td> <td>230610400</td> <td>-</td> <td>Socket head screw</td> <td>3</td> <td>UN</td> <td></td> <td></td> </tr>	11	230610469	-	Hex screw	6	UN			12	230610400	-	Socket head screw	3	UN		
11	230610469	-	Hex screw	6	UN																
12	230610400	-	Socket head screw	3	UN																



Camshaft pre-ass. 230612240

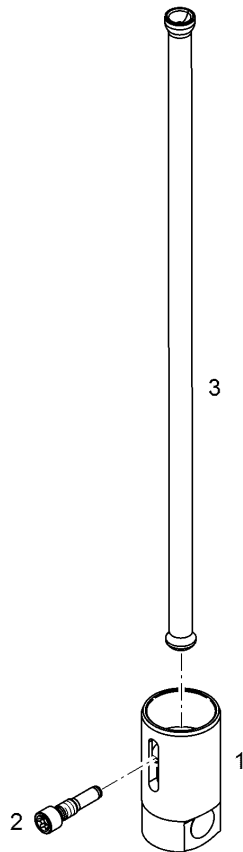
Po s.	Part No.	Ver	Description	Qty.	Un S/N from	S/N to	Page
1	230612238	-	Camshaft	1	UN		
2	230610846	-	Timing disk	1	UN		
3	230610692	-	Gear wheel	1	UN		
5	230610401	-	Parallel pin	2	UN		
6	230610370	-	Hex screw	1	UN		
7	230610567	-	Bearing flange	1	UN		
9	230610936	-	Countersunk screw	2	UN		
10	230610934	-	Hex screw	6	UN		
105	230611017	-	Screw locking	1	UN		



Control parts

230612253

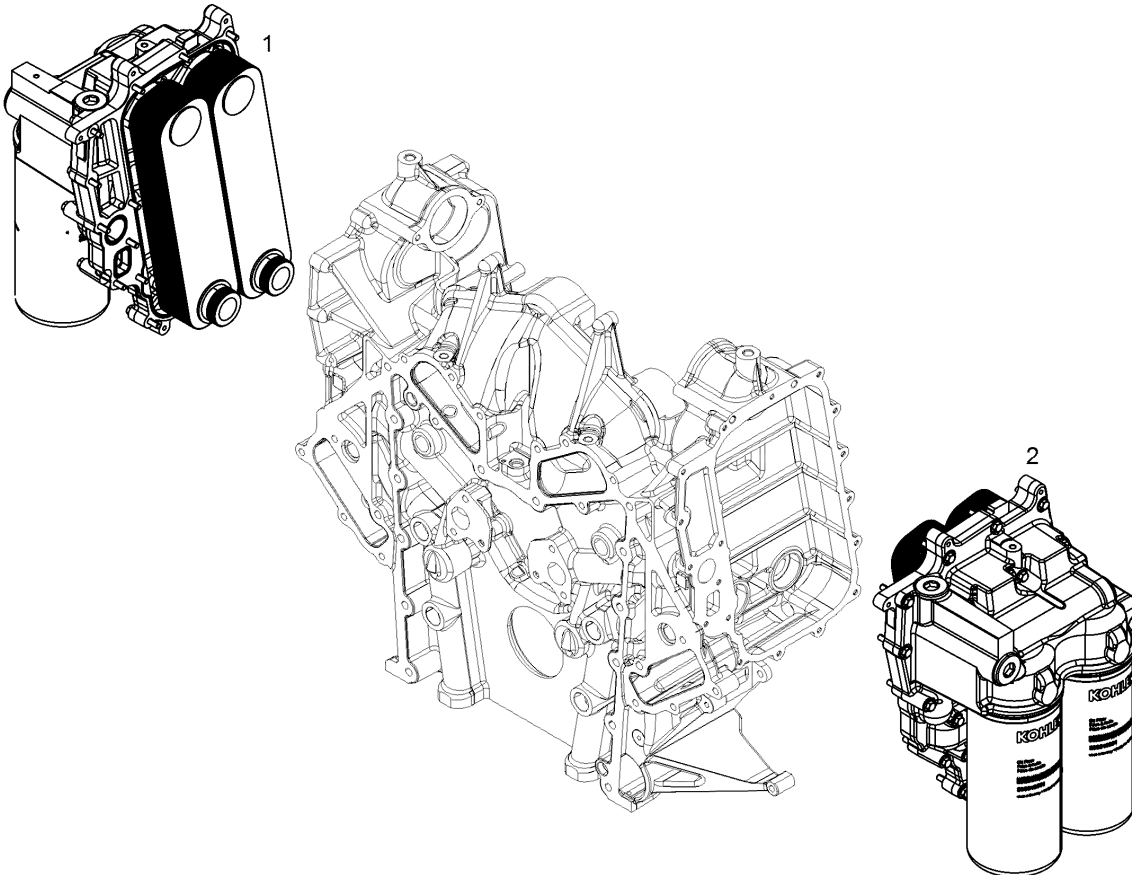
Po s.	Part No.	Ver	Description	Qty.	Un S/N from	S/N to	Page
1	230610239	-	Roller tappet	2	UN		
2	230610594	-	Locking screw	2	UN		
3	230610287	-	Tappet push rod	2	UN		



Oil module assembly

230611967

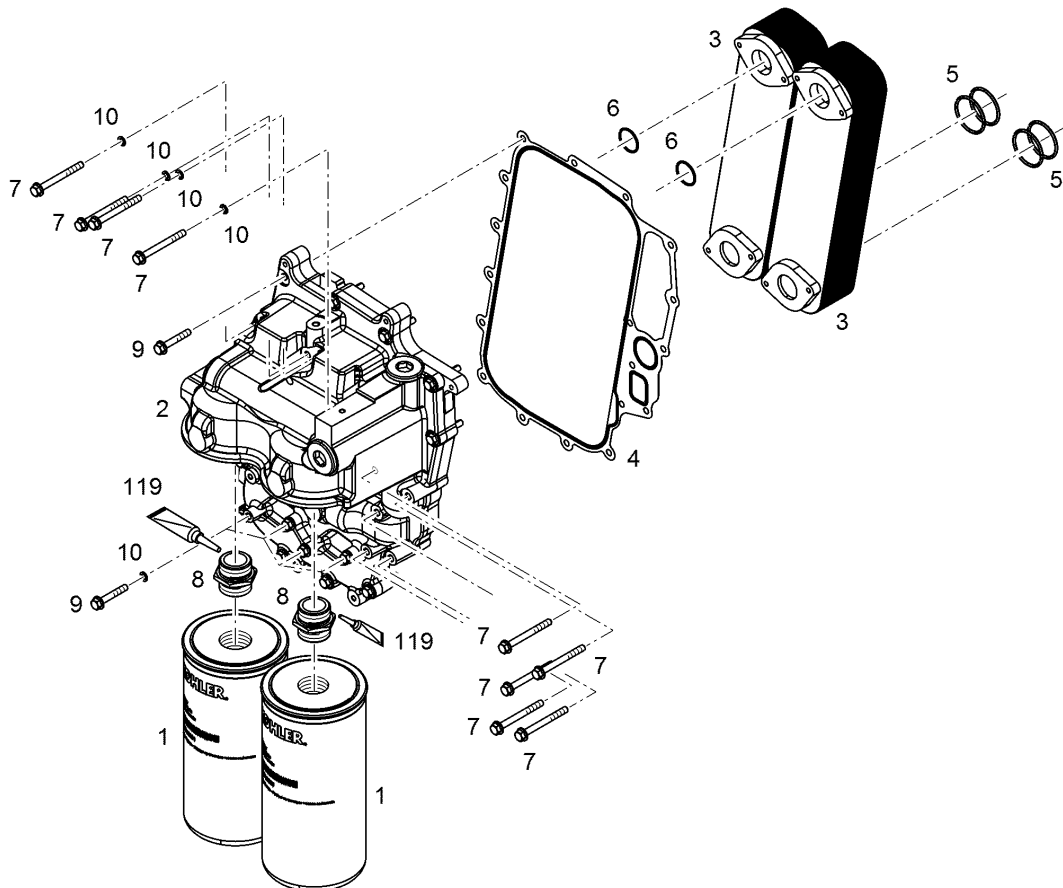
Pos.	Part No.	Ver	Description	Qty.	Un S/N from	S/N to	Page
1	230611988	-	Oil module left	1	UN		44
2	230611989	-	Oil module right	1	UN		46



Oil module left

230611988

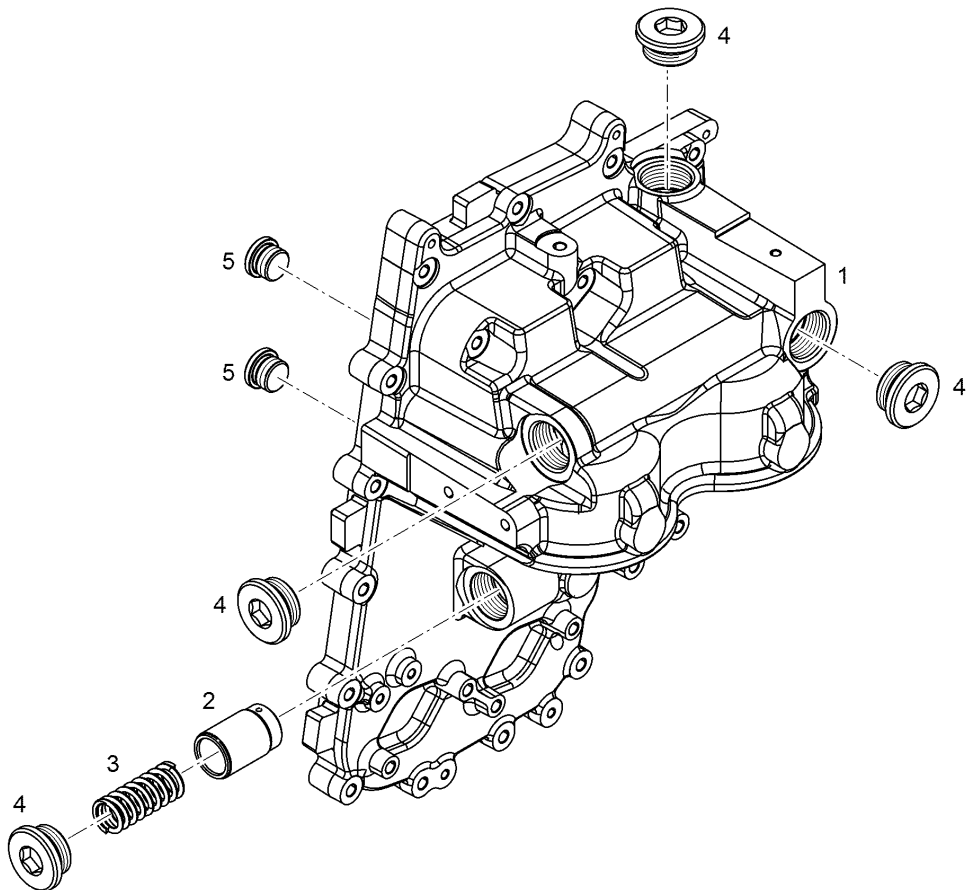
Po s.	Part No.	Ver	Description	Qty.	Un S/N from	S/N to	Page
1	230510001	-	Oil filter	2	UN		
2	230610983	-	Oil cooler housing	1	UN		45
3	230610754	-	Oil cooler	2	UN		
4	230610746	-	Seal	1	UN		
5	230610417	-	O-ring	4	UN		
6	230610203	-	O-ring	2	UN		
7	230610333	-	Hex screw	9	UN		
8	230610250	-	Fittings	2	UN		
9	230610326	-	Hex screw	17	UN		
10	230610393	-	Sealing ring	8	UN		
119	230611018	-	Glue	1	UN		



Oil cooler housing

230610983

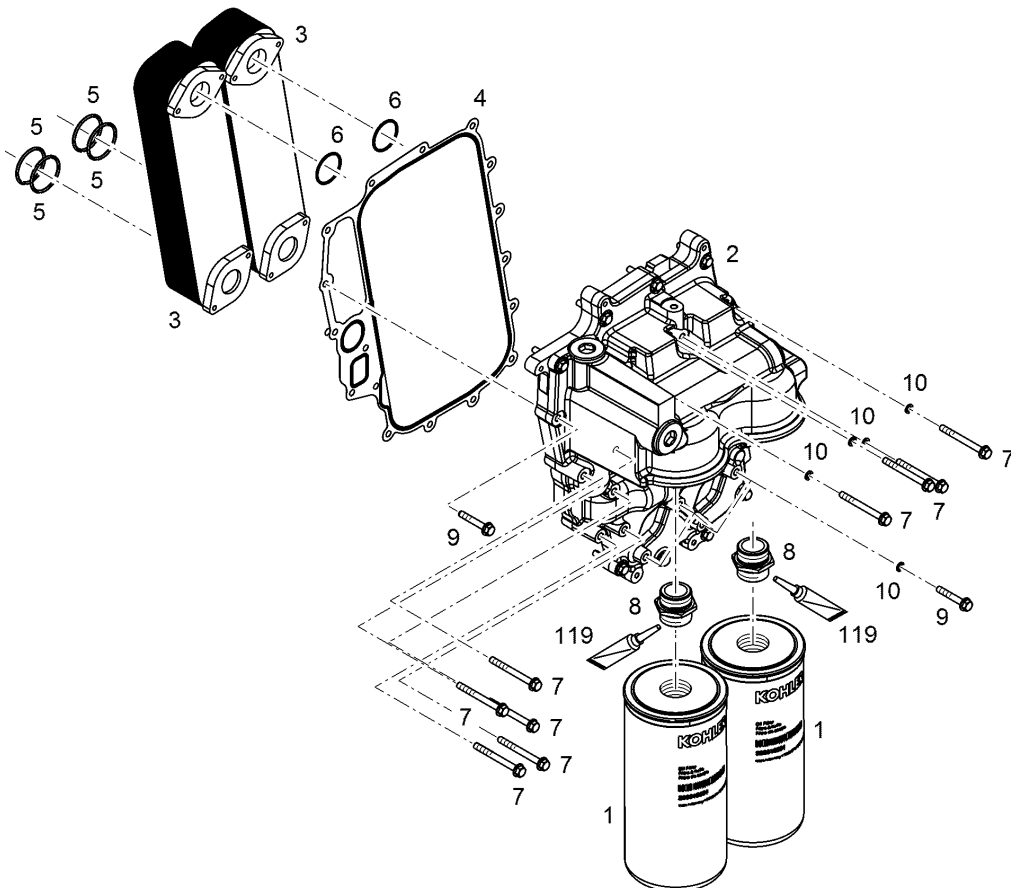
Po s.	Part No.	Ver	Description	Qty.	Un S/N from	S/N to	Page
1	230610963	-	Oil cooler housing	1	UN		
2	230610634	-	Piston	1	UN		
3	230610633	-	Pressure spring	1	UN		
4	230610070	-	Screw plug	4	UN		
5	230610484	-	Screw plug	2	UN		



Oil module right

230611989

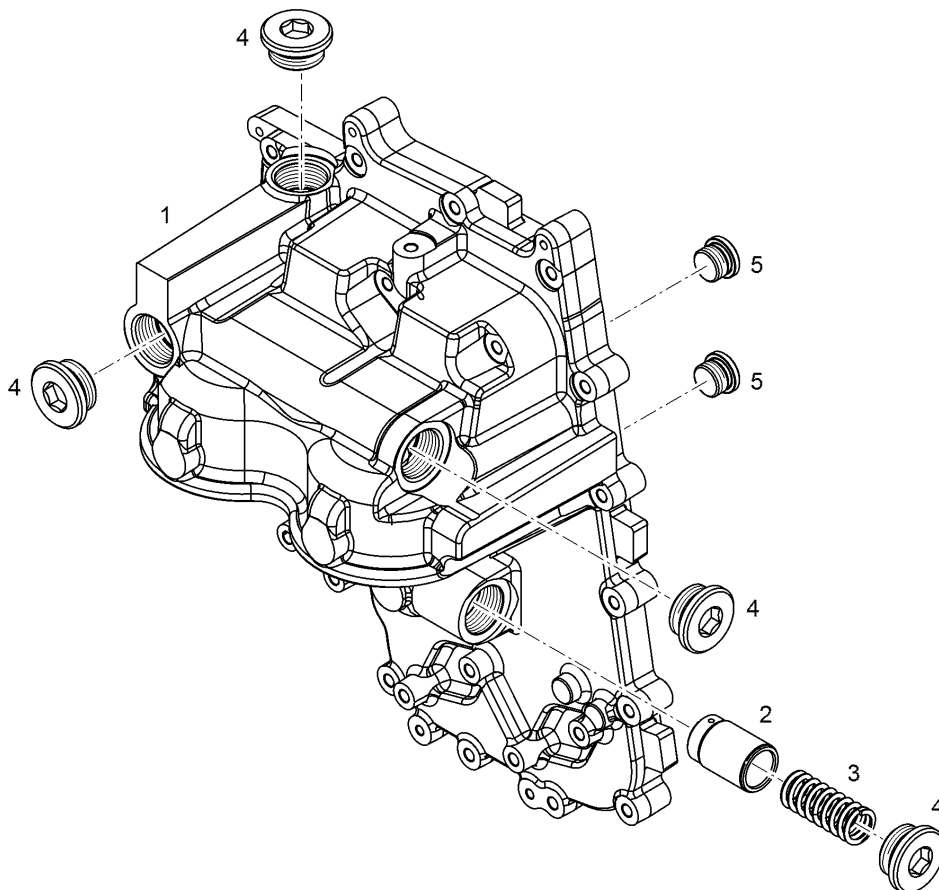
Po s.	Part No.	Ver	Description	Qty.	Un S/N from	S/N to	Page
1	230510001	-	Oil filter	2	UN		
2	230610984	-	Oil cooler housing	1	UN		47
3	230610754	-	Oil cooler	2	UN		
4	230610746	-	Seal	1	UN		
5	230610417	-	O-ring	4	UN		
6	230610203	-	O-ring	2	UN		
7	230610333	-	Hex screw	9	UN		
8	230610250	-	Fittings	2	UN		
9	230610326	-	Hex screw	17	UN		
10	230610393	-	Sealing ring	8	UN		
119	230611018	-	Glue	1	UN		



Oil cooler housing

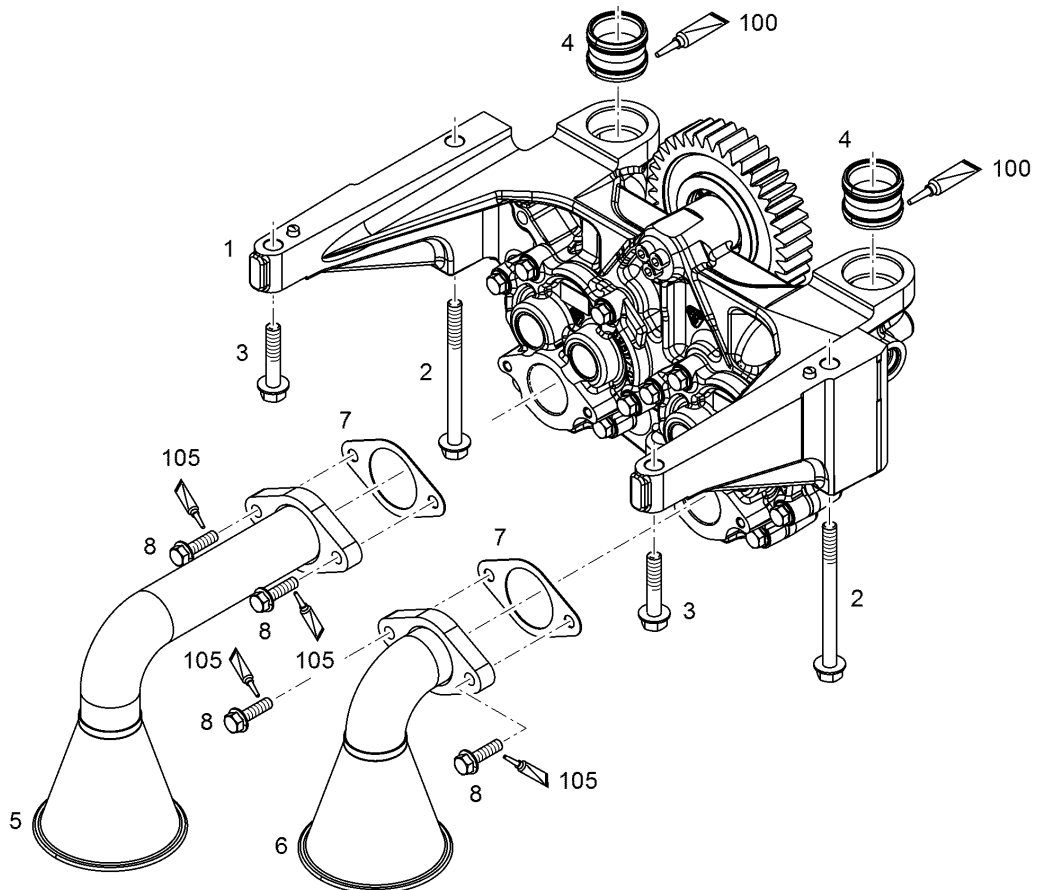
230610984

Po s.	Part No.	Ver	Description	Qty.	Un S/N from	S/N to	Page
1	230610962	-	Oil cooler housing	1	UN		
2	230610634	-	Piston	1	UN		
3	230610633	-	Pressure spring	1	UN		
4	230610070	-	Screw plug	4	UN		
5	230610484	-	Screw plug	2	UN		



Lube oil pump with fastening 230612379

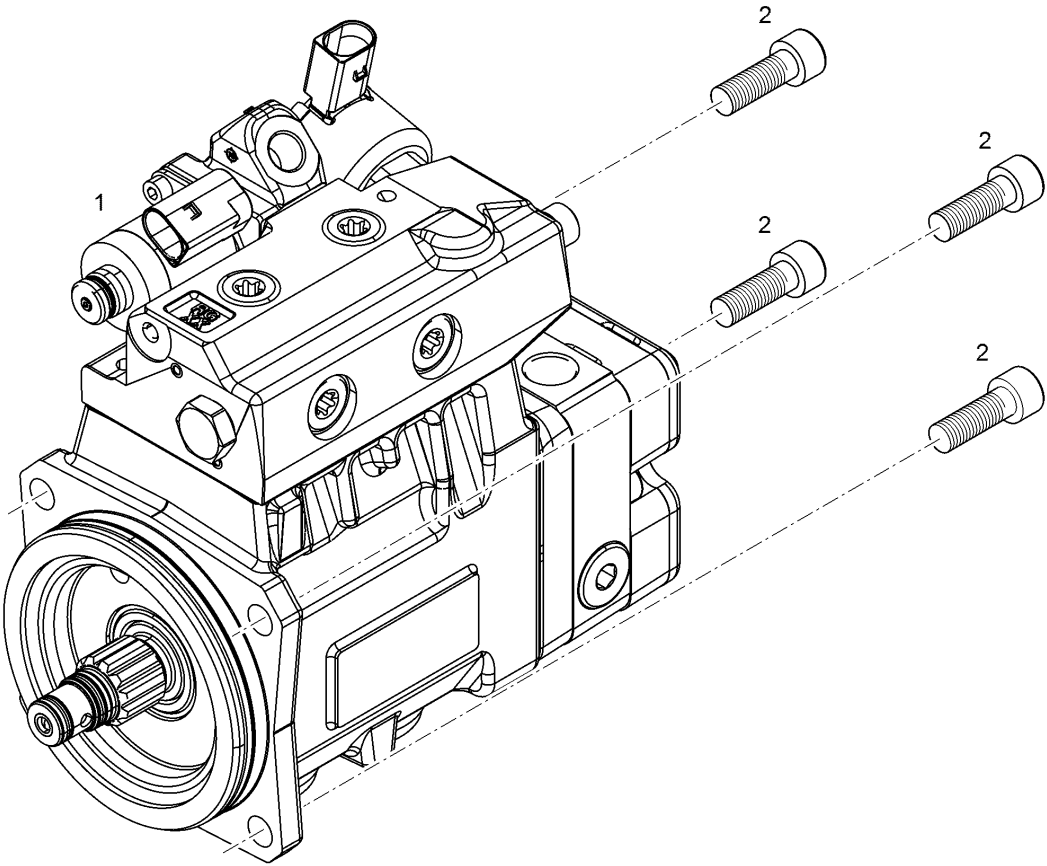
Po s.	Part No.	Ver	Description	Qty.	Un S/N from	S/N to	Page
1	230612384	-	Lubricating oil pump	1	UN		
2	230610953	-	Hex screw	2	UN		
3	230610949	-	Hex screw	2	UN		
4	230610711	-	Plug-in pipe	2	UN		
5	230610785	-	Suction pipe	1	UN		
6	230610786	-	Suction pipe	1	UN		
7	230610672	-	Seal	2	UN		
8	230610950	-	Hex screw	4	UN		
100	230610702	-	Grease	1	UN		7
105	230611017	-	Screw locking	1	UN		



High pressure pump w.fastening

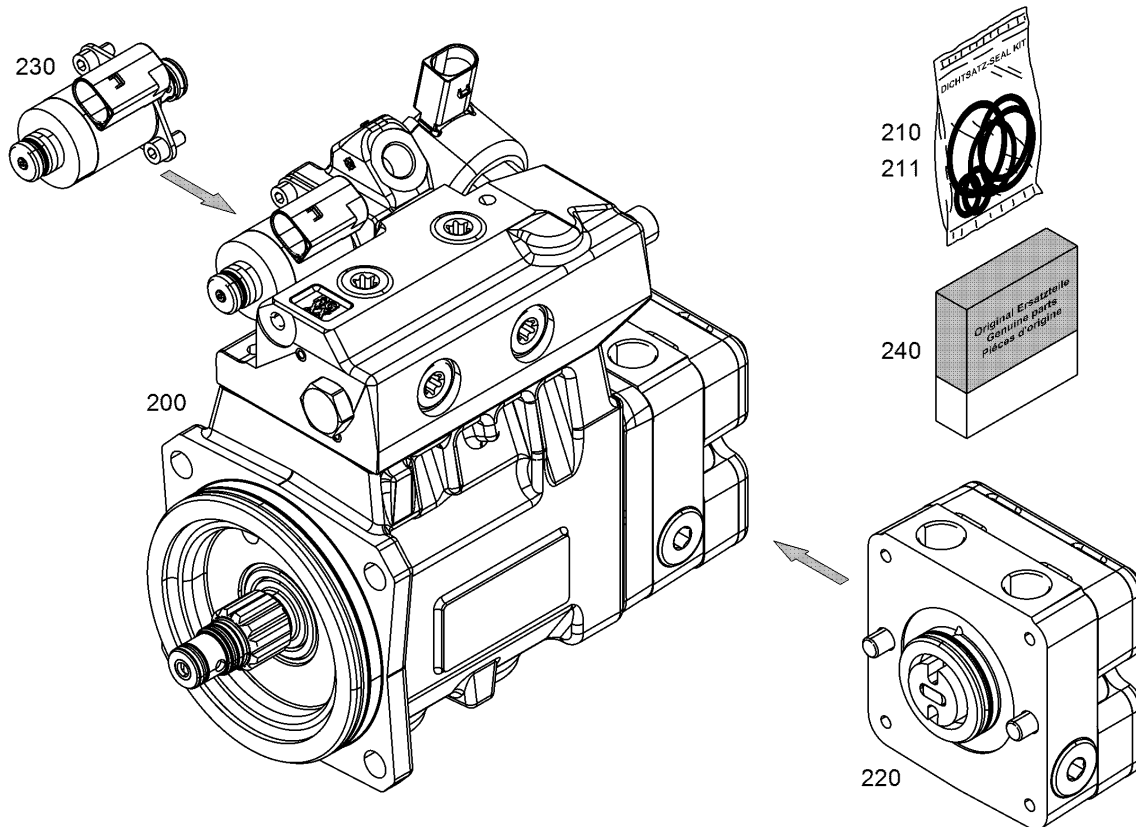
230612344

Po s.	Part No.	Ver	Description	Qty.	Un S/N from	S/N to	Page
1	230612342	-	High pressure pump	1	UN		50
2	230612445	-	Socket head screw	4	UN		



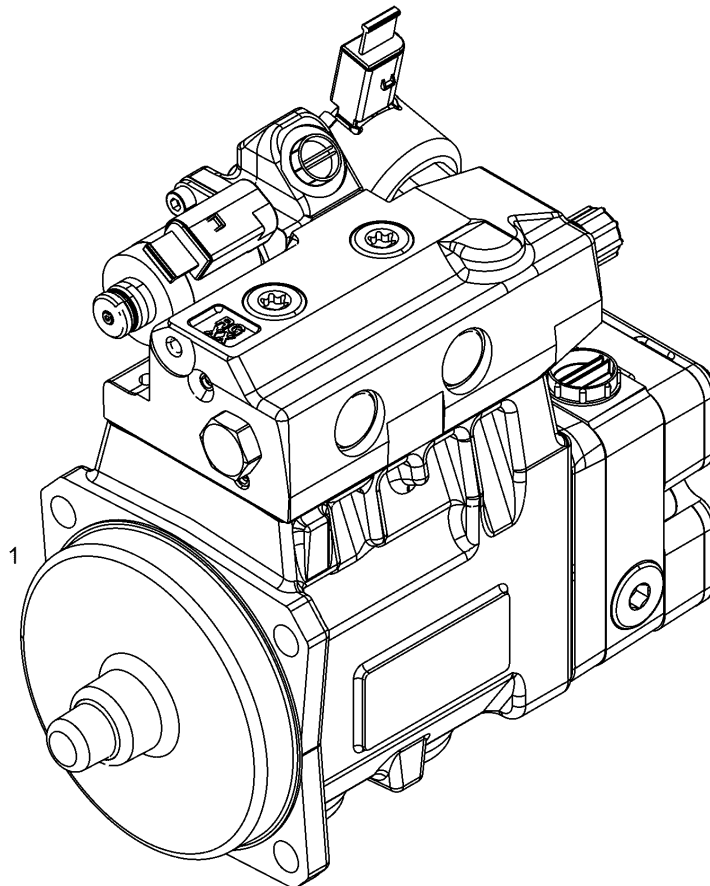
High pressure pump 230612342

Po s.	Part No.	Ver	Description	Qty.	Un S/N from	S/N to	Page
200	230612431	-	Rk high pressure pump	1	UN		51
210	230612436	-	Seal kit high pressure pump	1	UN		52
211	230612437	-	Seal kit prefeeding pump	1	UN		53
220	230612432	-	Rk pre-feed pump	1	UN		54
230	230612433	-	Rk volum control valve	1	UN		55
240	230612260	-	Covering caps - kit	1	UN		56



Rk high pressure pump 230612431

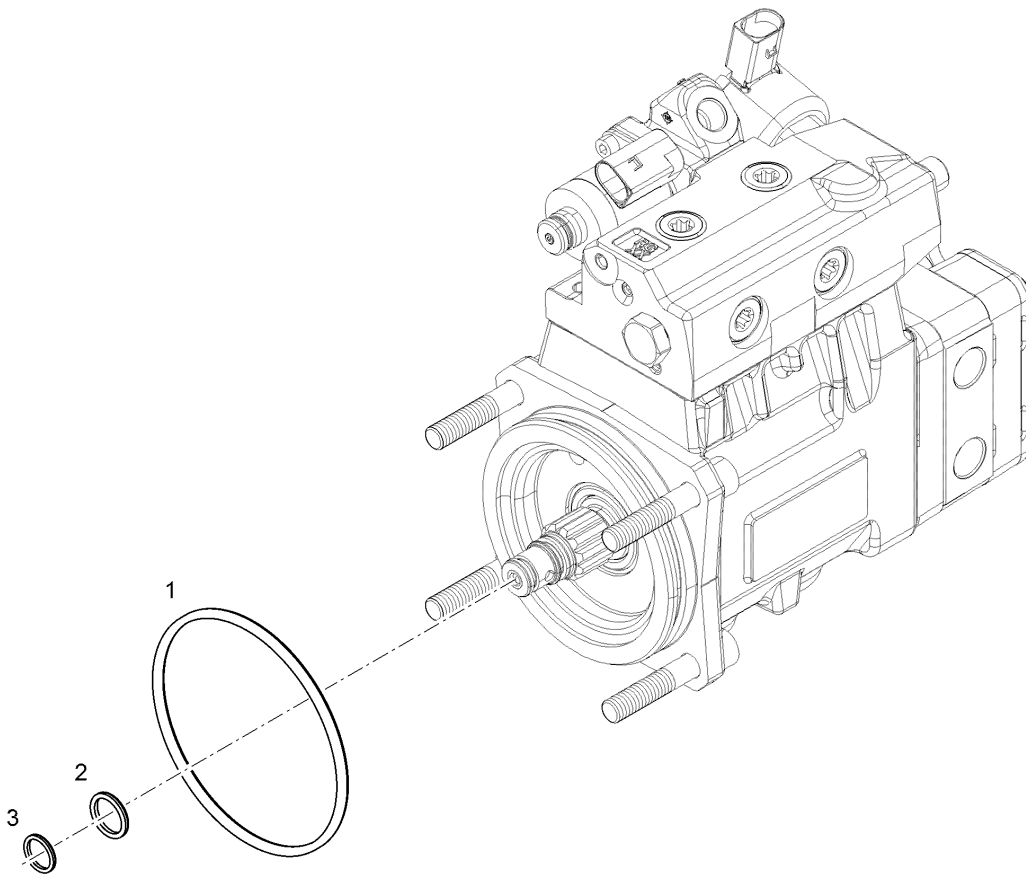
Po s.	Part No.	Ver	Description	Qty.	Un S/N from	S/N to	Page
1	230612343	-	High pressure pump	1	UN		
140	230612388	-	Mounting requirement	1	UN		



i 140

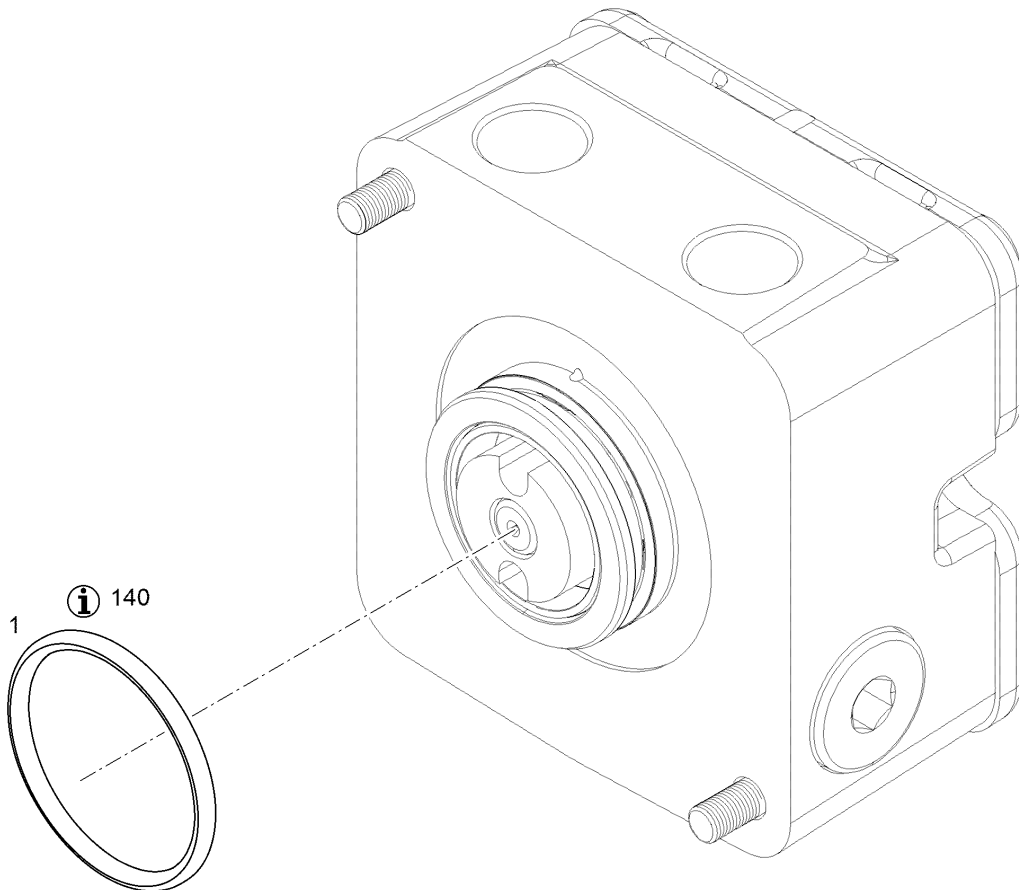
Seal kit high pressure pump 230612436

Po s.	Part No.	Ver	Description	Qty.	Un S/N from	S/N to	Page
1	230610523	-	O-ring	1	UN		
2	230610522	-	O-ring	1	UN		
3	230610199	-	O-ring	1	UN		



Seal kit prefeeding pump 230612437

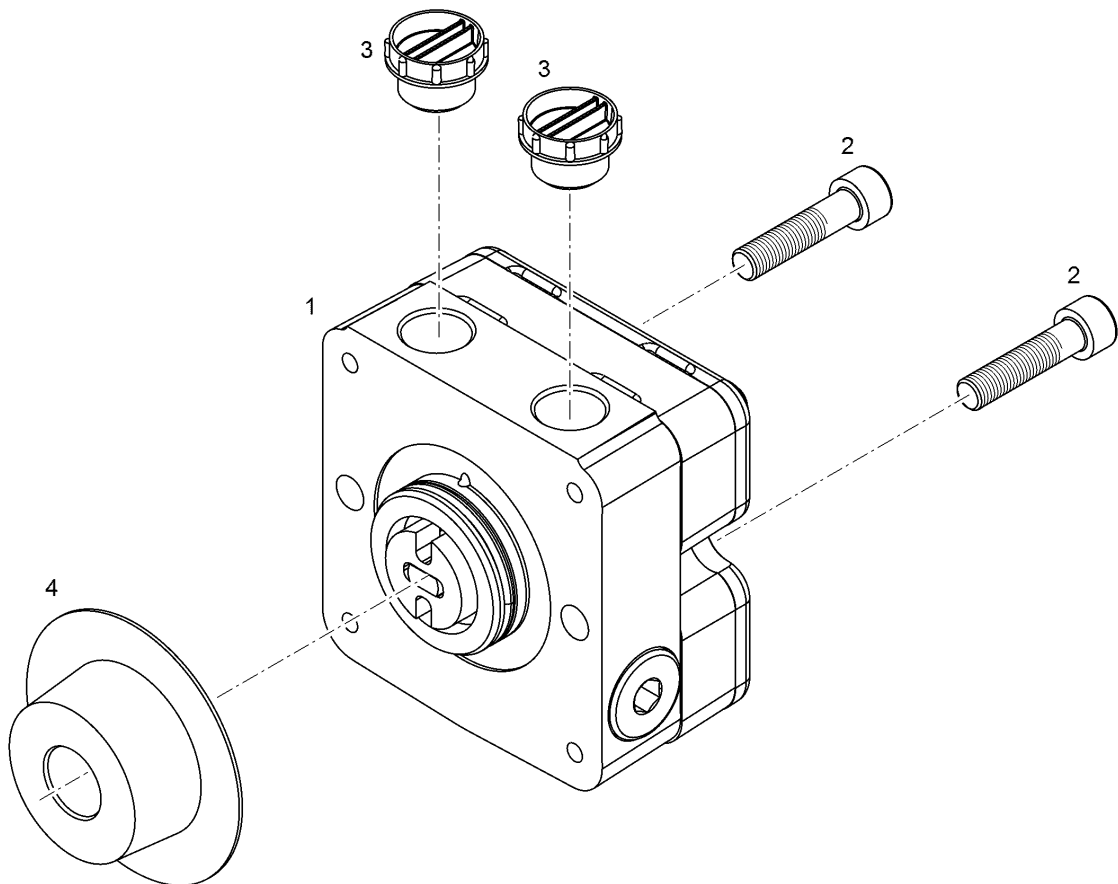
Po s.	Part No.	Ver	Description	Qty.	Un S/N from	S/N to	Page
1	230612403	-	O-ring	1	UN		
140	230612387	-	Mounting requirement	1	UN		



Rk pre-feed pump

230612432

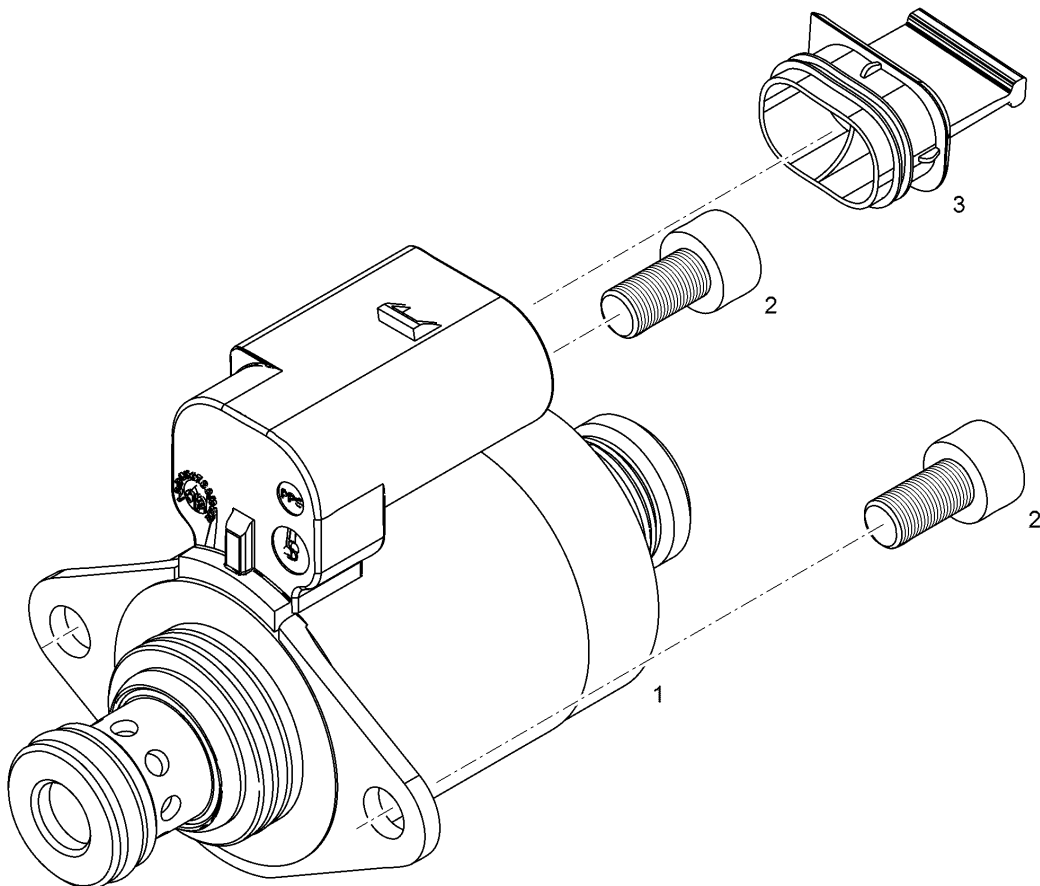
Po s.	Part No.	Ver	Description	Qty.	Un S/N from	S/N to	Page
1	230612427	-	Prefeeding pump	1	UN		
2	230612442	-	Socket head screw	2	UN		
3	230612255	-	Cover lid	2	UN		
4	230612448	- </td <td>Universal protection</td> <td>1</td> <td>UN</td> <td></td> <td></td>	Universal protection	1	UN		



Rk volum control valve

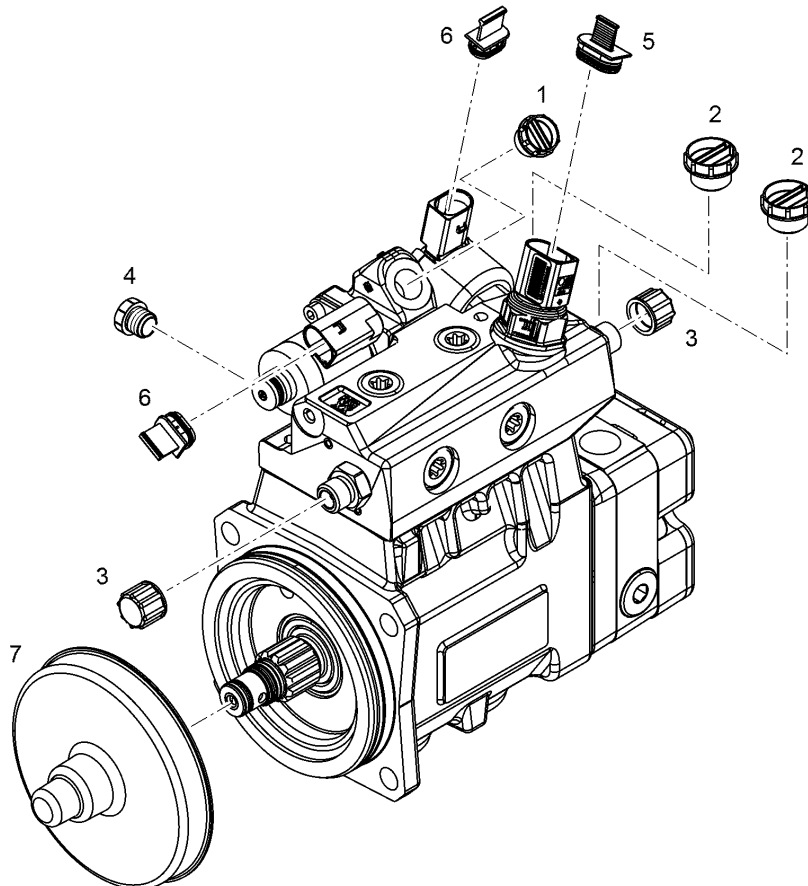
230612433

Po s.	Part No.	Ver	Description	Qty.	Un S/N from	S/N to	Page
1	230612450	-	Volum control valve	1	UN		
2	230612443	-	Socket head screw	2	UN		
3	230612234	-	Blanking plug	1	UN		



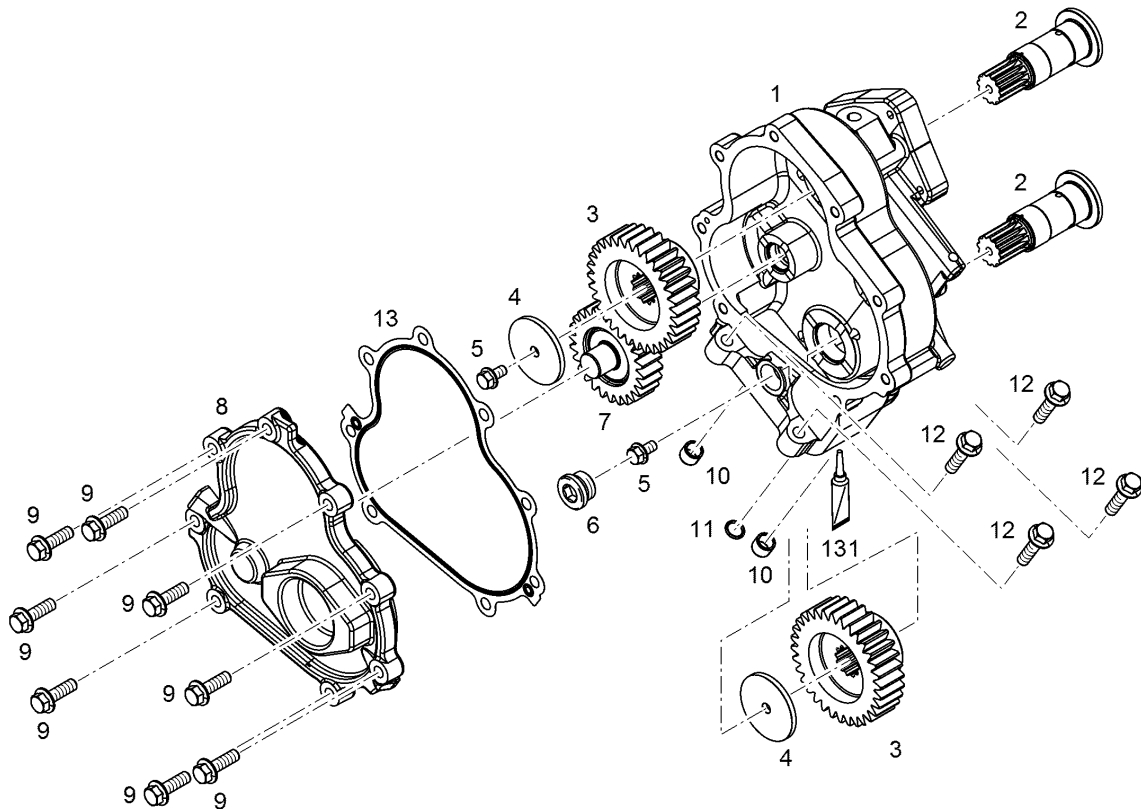
Covering caps - kit 230612260

Po s.	Part No.	Ver	Description	Qty.	Un S/N from	S/N to	Page
1	230612256	-	Cover lid	1	UN		
2	230612255	-	Cover lid	2	UN		
3	230612257	-	Cover lid	2	UN		
4	230612258	-	Cover lid	1	UN		
5	230612233	-	Blanking plug	1	UN		
6	230612234	-	Blanking plug	2	UN		
7	230612259	-	Cover lid	1	UN		



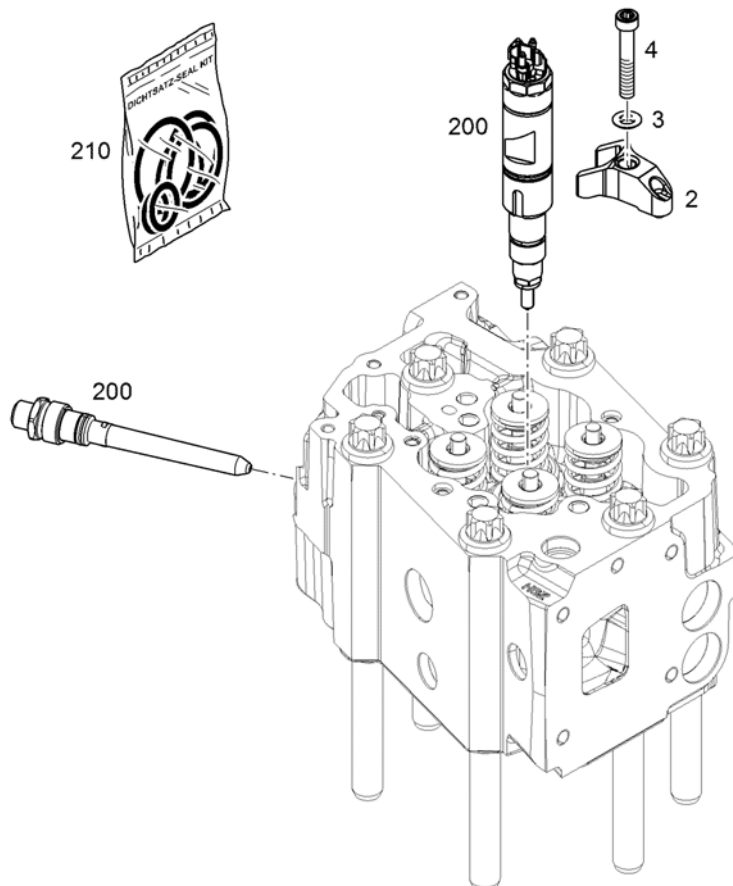
Drive for high pressure pump 230612279

Po s.	Part No.	Ver	Description	Qty.	Un S/N from	S/N to	Page
1	230612365	-	Housing pre-assembled	1	UN		
2	230612280	-	Drive shaft	2	UN		
3	230612308	-	Gear wheel	2	UN		
4	230610678	-	Washer	2	UN		
5	230610943	-	Hex screw	2	UN		
6	230610071	-	Screw plug	1	UN		
7	230612309	-	Gear wheel	1	UN		
8	230612254	-	Cover	1	UN		
9	230610332	-	Hex screw	8	UN		
10	230610446	-	Tight fit sleeve	2	UN		
11	230610413	-	O-ring	1	UN		
12	230610944	-	Hex screw	4	UN		
13	230612435	-	Seal	1	UN		
131	230611964	-	Sealant paste	1	UN		



Injector with fastening 230612373

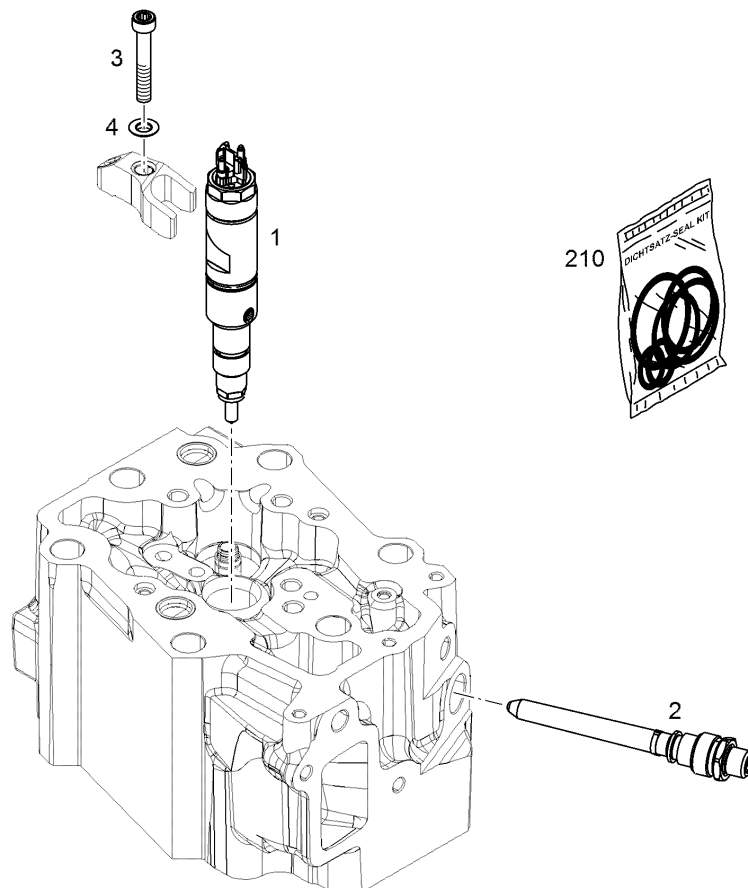
Po s.	Part No.	Ver	Description	Qty.	Un S/N from	S/N to	Page
2	230610182	-	Jaw	1	UN		
3	230612799	-	Spherical washer	1	UN		
4	230610317	-	Socket head screw	1	UN		
200	230610183	-	Rk injector	1	UN		59
210	230610228	-	Seal kit injector	1	UN		62



Rk injector

230610183

Po s.	Part No.	Ver	Description	Qty.	Un S/N from	S/N to	Page
1	230610671	-	Injector assy	1	UN		
2	230610251	-	High pressure connector	1	UN		60
3	230610317	-	Socket head screw	1	UN		
4	230610479	-	Spherical washer	1	UN		
210	230610228	-	Seal kit injector	1	UN		62



High pressure connector

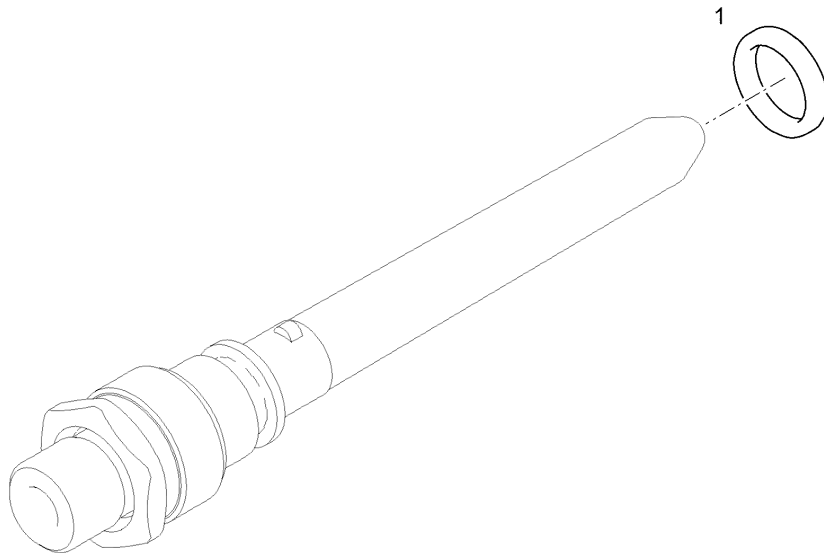
230610251

Pos.	Part No.	Ver	Description	Qty.	Un S/N from	S/N to	Page
210	230610227	-	Seal kit high press.connector	1	UN		61

Seal kit high press.connector

230610227

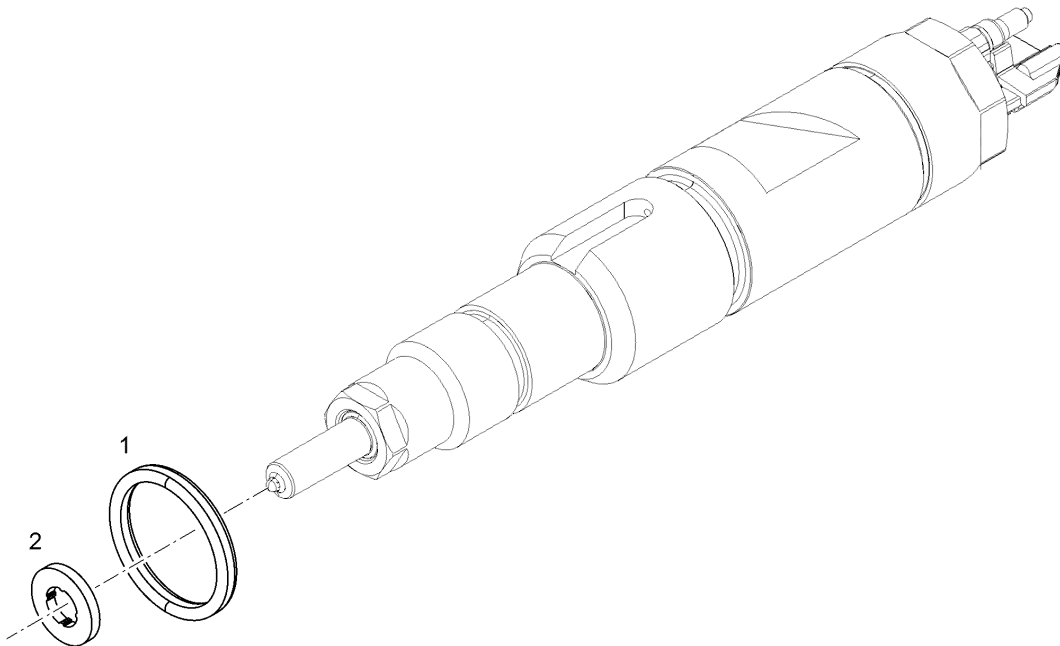
Pos.	Part No.	Ver	Description	Qty.	Un S/N from	S/N to	Page
1	230610729	-	O-ring	1	UN		



Seal kit injector

230610228

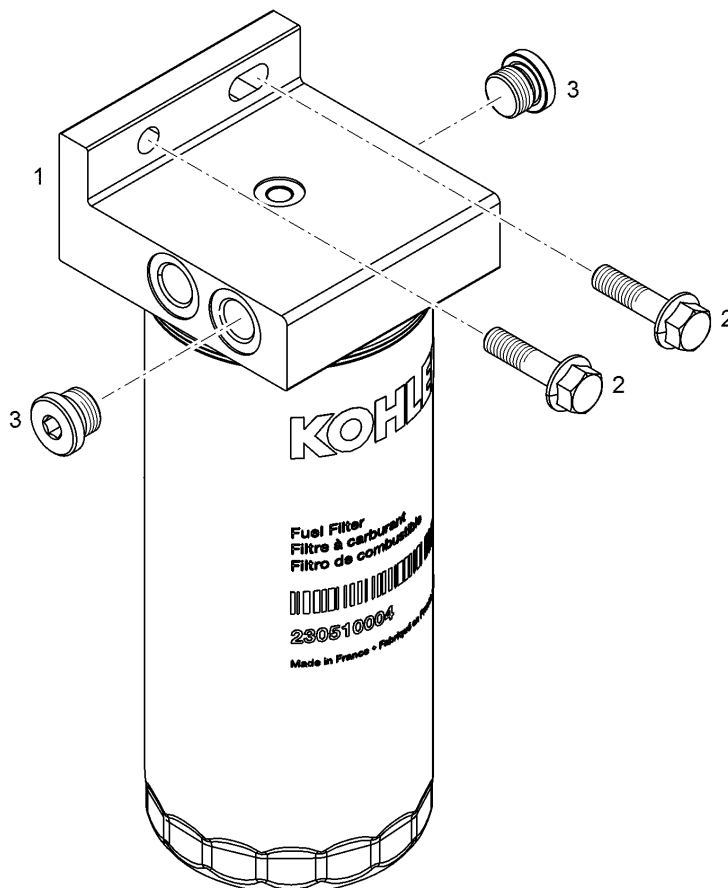
Po s.	Part No.	Ver	Description	Qty.	Un S/N from	S/N to	Page
1	230610526	-	O-ring	1	UN		
2	230610545	-	Sheet gasket	1	UN		



i 140

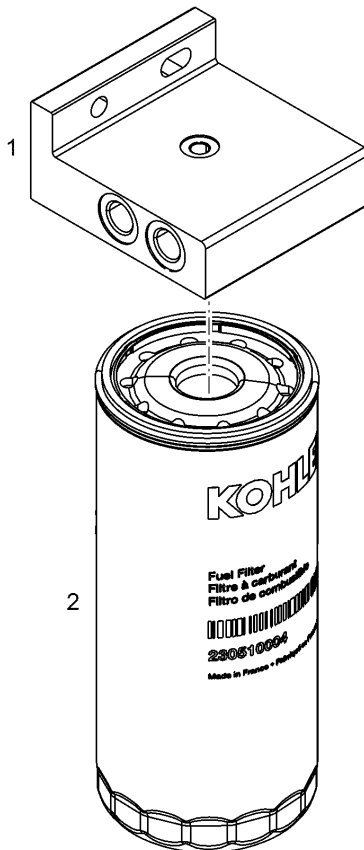
Fuel filter 230611969

Po s.	Part No.	Ver	Description	Qty.	Un S/N from	S/N to	Page
1	230611987	-	Fuel filter	1	UN		64
2	230610489	-	Hex screw	2	UN		
3	230610415	-	Screw plug	2	UN		



Fuel filter 230611987

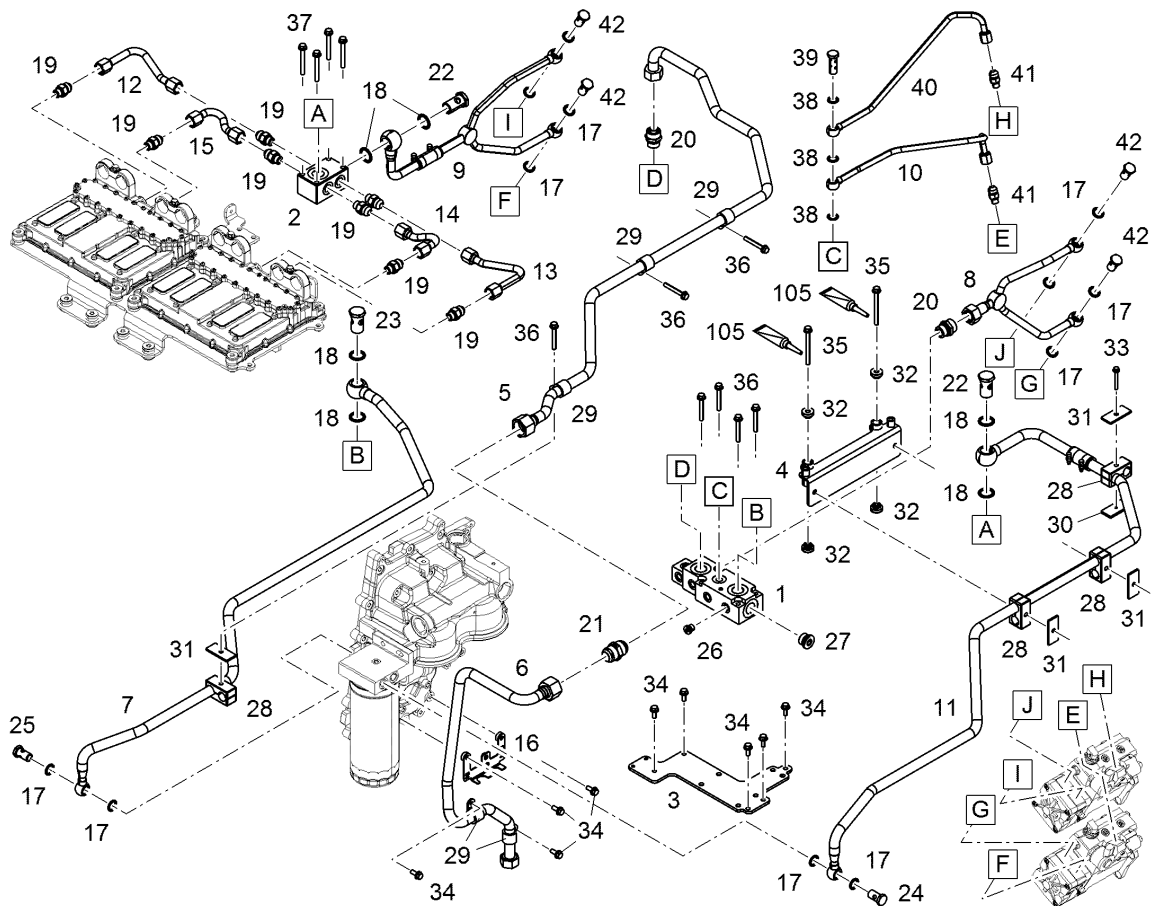
Po s.	Part No.	Ver	Description	Qty.	Un	S/N from	S/N to	Page
1	230611956	-	Filter head	1	UN			
2	230510004	-	Fuel filter	1	UN			



Fuel lines

230612306

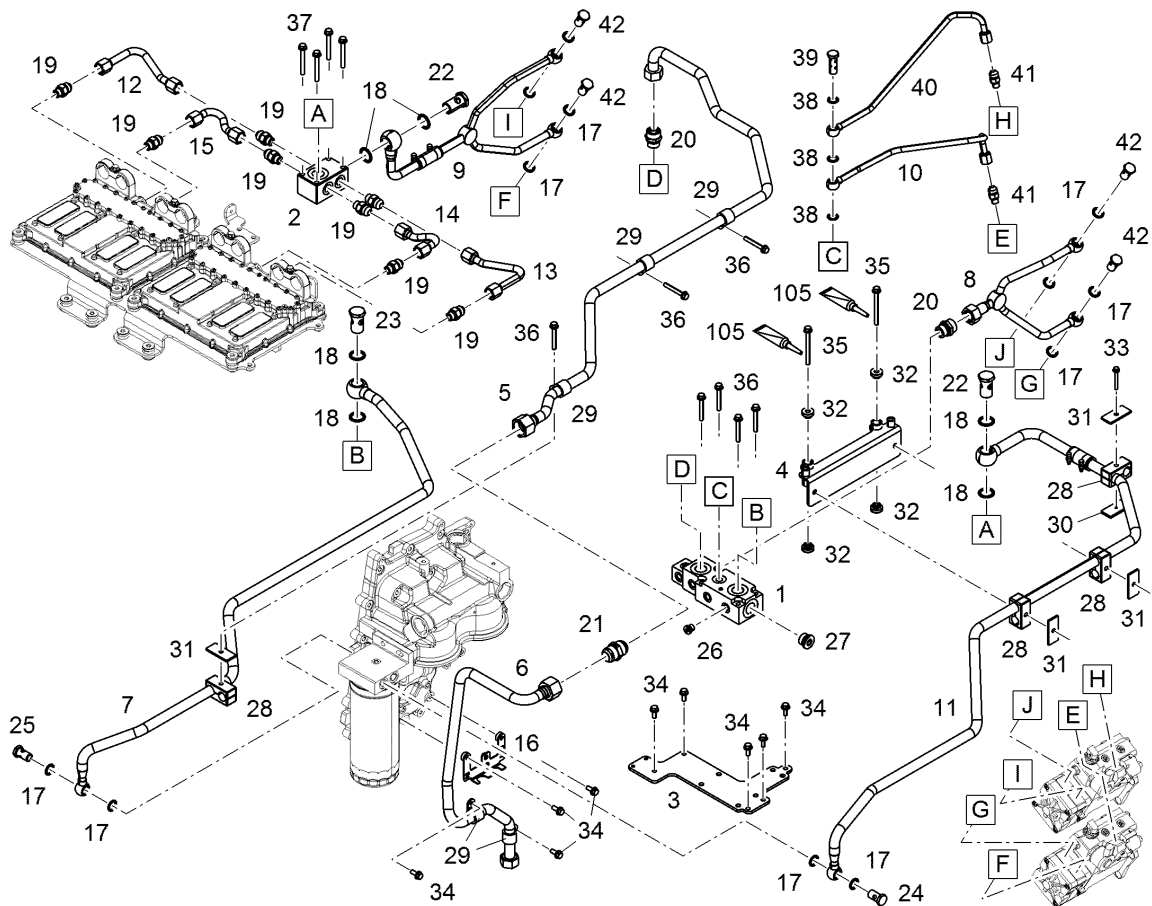
Po s.	Part No.	Ver	Description	Qty.	Un	S/N from	S/N to	Page
1	230612273	-	Distributor block	1	UN			
2	230610604	-	Distributor block	1	UN			
3	230612248	-	Console	1	UN			
4	230612347	-	Holder	1	UN			
5	230612299	-	Fuel line	1	UN			
6	230610800	-	Fuel line	1	UN			
7	230612300	-	Fuel line	1	UN			
8	230612301	-	Fuel line	1	UN			
9	230612302	-	Fuel line	1	UN			
10	230612303	-	Fuel line	1	UN			
11	230612304	-	Fuel line	1	UN			
12	230610605	-	Fuel line	1	UN			
13	230610606	-	Fuel line	1	UN			
14	230610607	-	Fuel line	1	UN			
15	230610608	-	Fuel line	1	UN			
16	230610799	-	Plate	1	UN			



Fuel lines

230612306

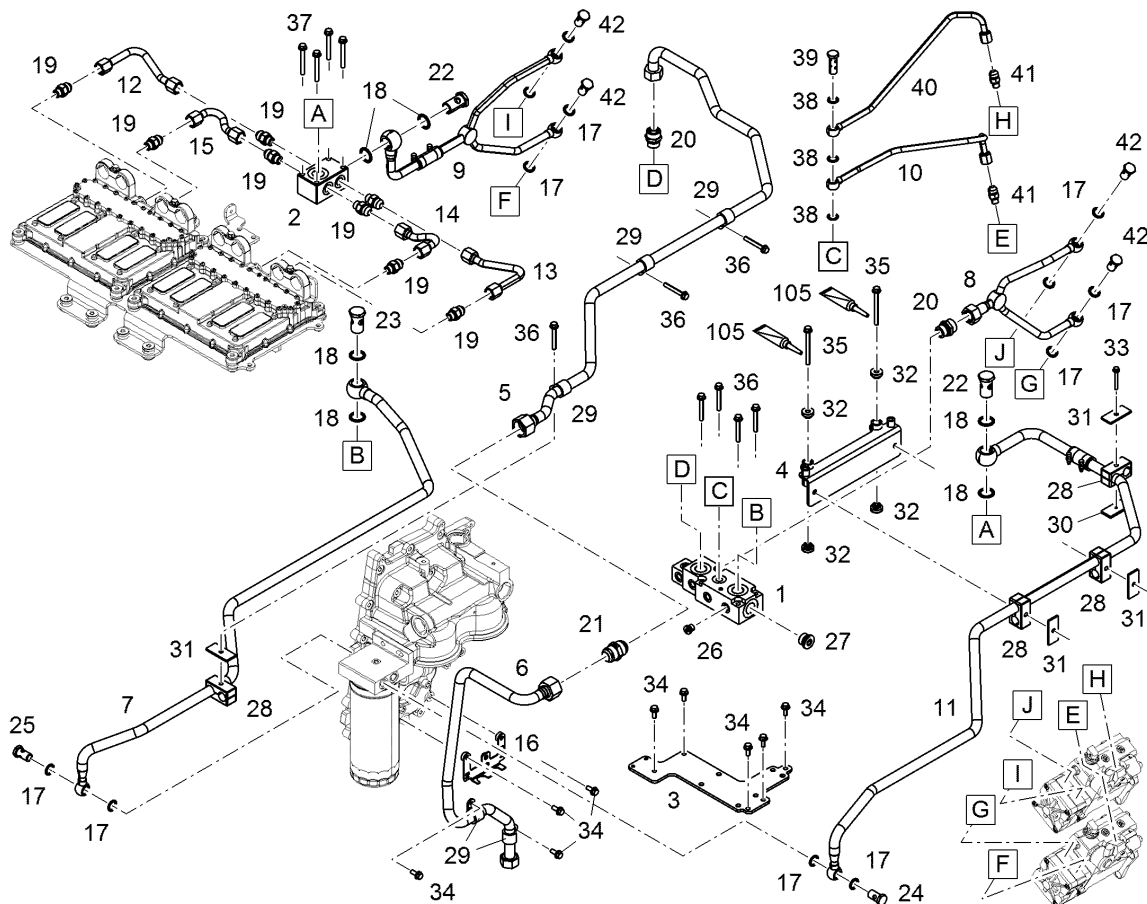
Po s.	Part No.	Ver	Description	Qty.	Un S/N from	S/N to	Page
17	230610053	-	Sealing ring	12	UN		
18	230610059	-	Sealing ring	6	UN		
19	230610245	-	Flange joint	8	UN		
20	230610931	-	Flange joint	2	UN		
21	230610930	-	Flange joint	1	UN		
22	230610399	-	Hollow screw	2	UN		
23	230610940	-	Hollow screw	1	UN		
24	230610352	-	Hollow screw	1	UN		
25	230610354	-	Hollow screw	1	UN		
26	230610064	-	Screw plug	1	UN		
27	230610066	-	Screw plug	1	UN		
28	230610491	-	Pipe clamp	4	UN		
29	230610425	-	Clamp	5	UN		
30	230610493	-	Support plate	1	UN		
31	230612439	-	Sheet	4	UN		
32	230610269	-	Rubber buffer	4	UN		



Fuel lines

230612306

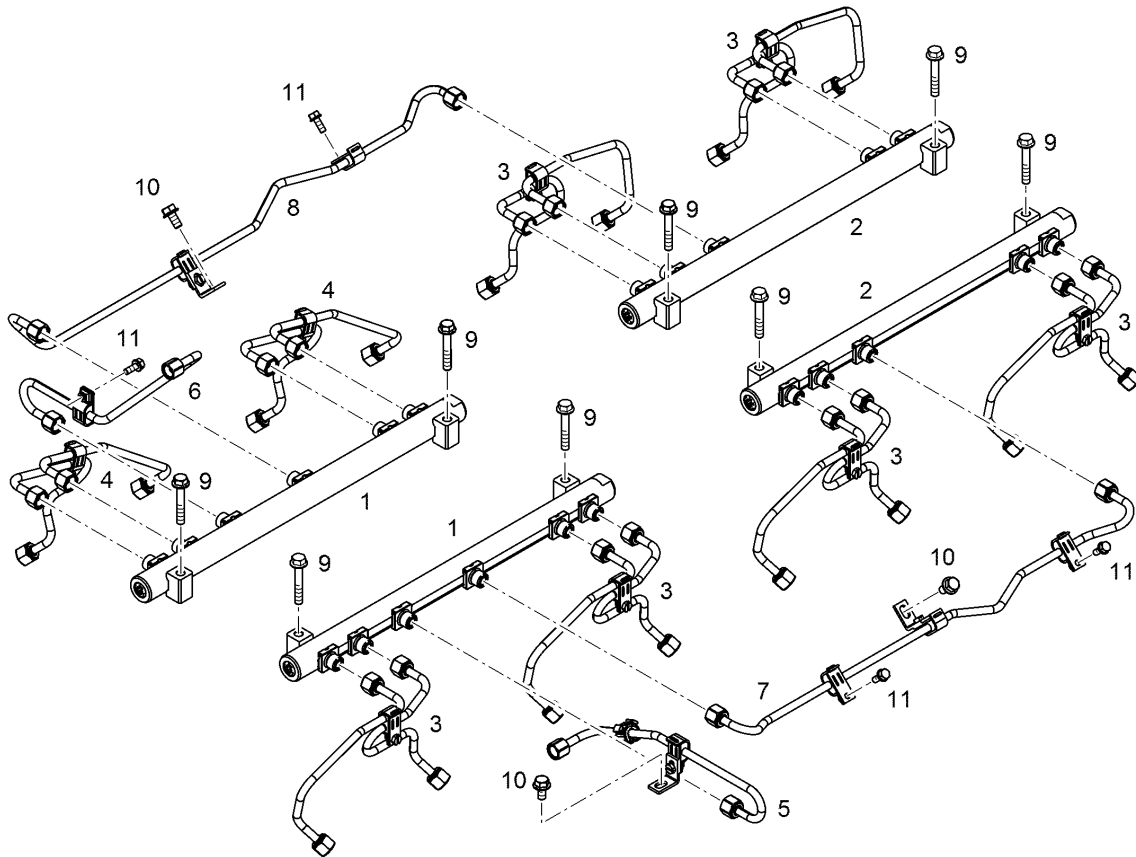
Po s.	Part No.	Ver	Description	Qty.	Un S/N from	S/N to	Page
33	230610320	-	Hex screw	1	UN		
34	230610319	-	Hex screw	9	UN		
35	230610486	-	Hex screw	2	UN		
36	230610329	-	Hex screw	7	UN		
37	230612329	-	Hex screw	4	UN		
38	230610052	-	Sealing ring	3	UN		
39	230612275	-	Double banjo bolt	1	UN		
40	230612305	-	Fuel line	1	UN		
41	230610246	-	Flange joint	2	UN		
42	230610358	-	Hollow screw	4	UN		
105	230611017	-	Screw locking	1	UN		



Injection lines

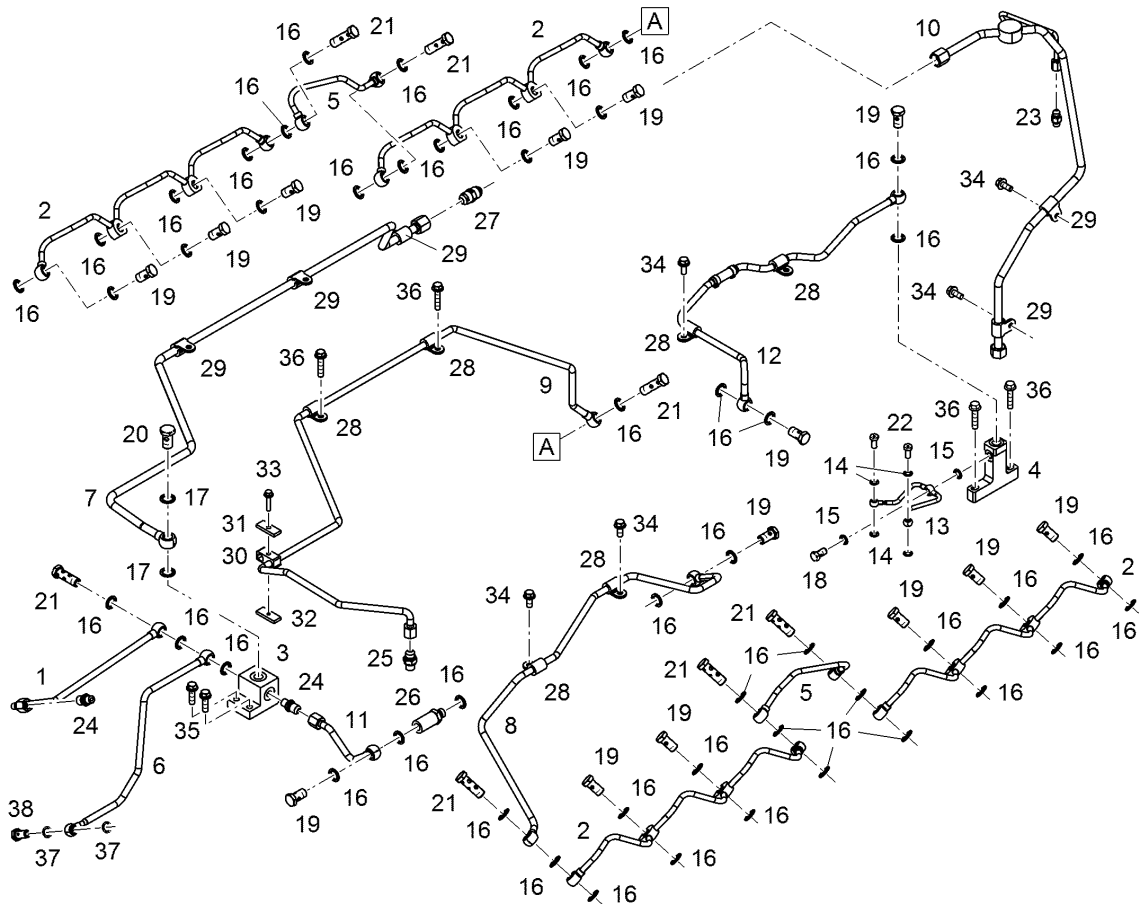
230612372

Po s.	Part No.	Ver	Description	Qty.	Un S/N from	S/N to	Page
1	230612345	-	Hight pressure rail	2	UN		
2	230612346	-	Hight pressure rail	2	UN		
3	230612366	-	Injection line	6	UN		
4	230612367	-	Injection line	2	UN		
5	230612368	-	Injection line	1	UN		
6	230612369	-	Injection line	1	UN		
7	230612370	-	Injection line	1	UN		
8	230612371	-	Injection line	1	UN		
9	230610326	-	Hex screw	8	UN		
10	230612333	-	Hex screw	3	UN		
11	230610312	-	Hex screw	4	UN		



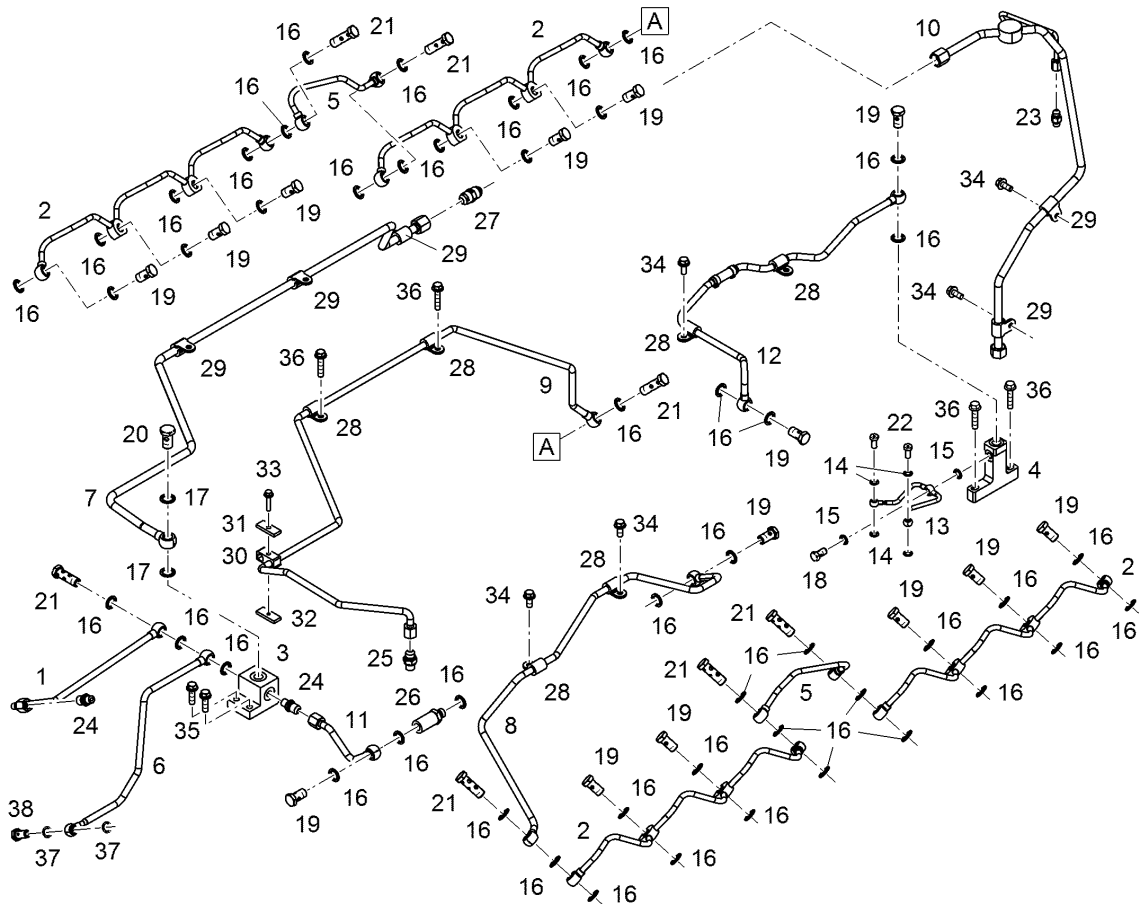
Leak oil line add-on 230612377

Po s.	Part No.	Ver	Description	Qty.	Un S/N from	S/N to	Page
1	230612409	-	Overflow-oil line	1	UN		
2	230610528	-	Overflow-oil line	4	UN		
3	230612272	-	Distributor block	1	UN		
4	230610614	-	Distributor block	1	UN		
5	230610615	-	Overflow-oil line	2	UN		
6	230612307	-	Fuel return pipe	1	UN		
7	230612410	-	Overflow-oil line	1	UN		
8	230612411	-	Overflow-oil line	1	UN		
9	230612412	-	Overflow-oil line	1	UN		
10	230610805	-	Overflow-oil line	1	UN		
11	230612413	-	Overflow-oil line	1	UN		
12	230612414	-	Overflow-oil line	1	UN		
13	230610618	-	Overflow-oil line	1	UN		
14	230610058	-	Sealing ring	4	UN		
15	230610055	-	Sealing ring	2	UN		
16	230610056	-	Sealing ring	50	UN		



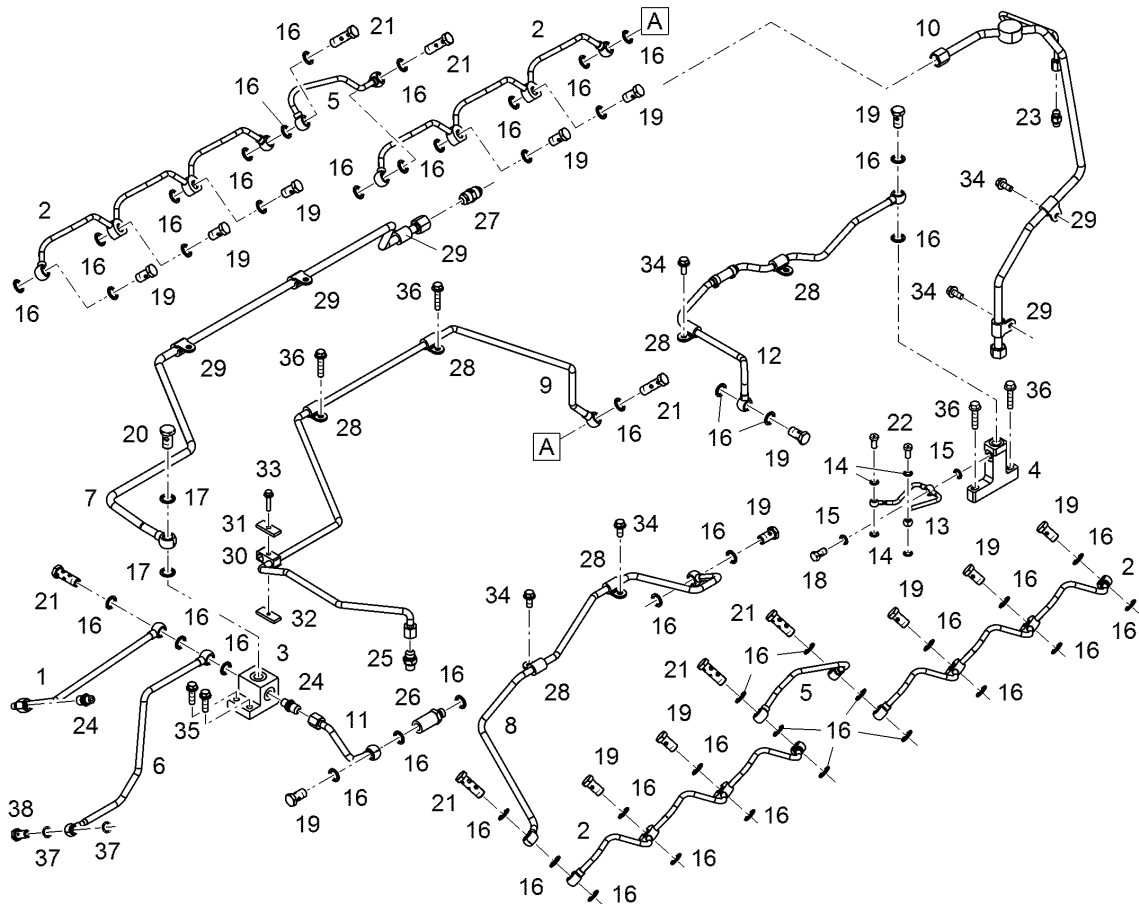
Leak oil line add-on 230612377

Po s.	Part No.	Ver	Description	Qty.	Un S/N from	S/N to	Page
17	230610052	-	Sealing ring	2	UN		
18	230612359	-	Hollow screw	1	UN		
19	230612360	-	Hollow screw	14	UN		
20	230612361	-	Hollow screw	1	UN		
21	230612274	-	Double banjo bolt	7	UN		
22	230610357	-	Hollow screw	2	UN		
23	230610242	-	Flange joint	1	UN		
24	230610933	-	Flange joint	2	UN		
25	230610243	-	Flange joint	1	UN		
26	230610222	-	Intermediate part	1	UN		
27	230610932	-	Flange joint	1	UN		
28	230610087	-	Clamp	6	UN		
29	230610424	-	Clamp	5	UN		
30	230610418	-	Pipe clamp	1	UN		
31	230610277	-	Support plate	1	UN		
32	230610278	-	Support plate	1	UN		



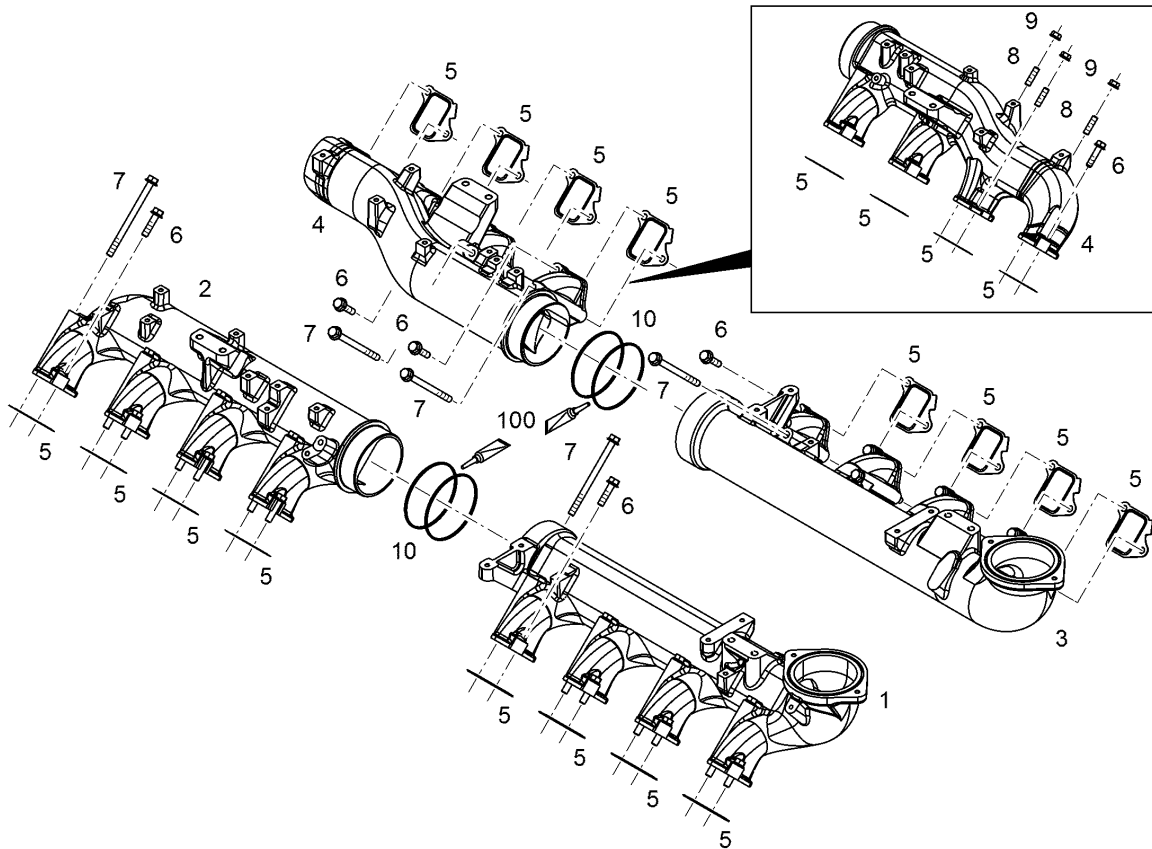
Leak oil line add-on 230612377

Po s.	Part No.	Ver	Description	Qty.	Un S/N from	S/N to	Page
33	230612324	-	Hex screw	1	UN		
34	230612325	-	Hex screw	5	UN		
35	230612326	-	Hex screw	2	UN		
36	230612327	-	Hex screw	4	UN		
37	230610051	-	Sealing ring	2	UN		
38	230612362	-	Hollow screw	1	UN		



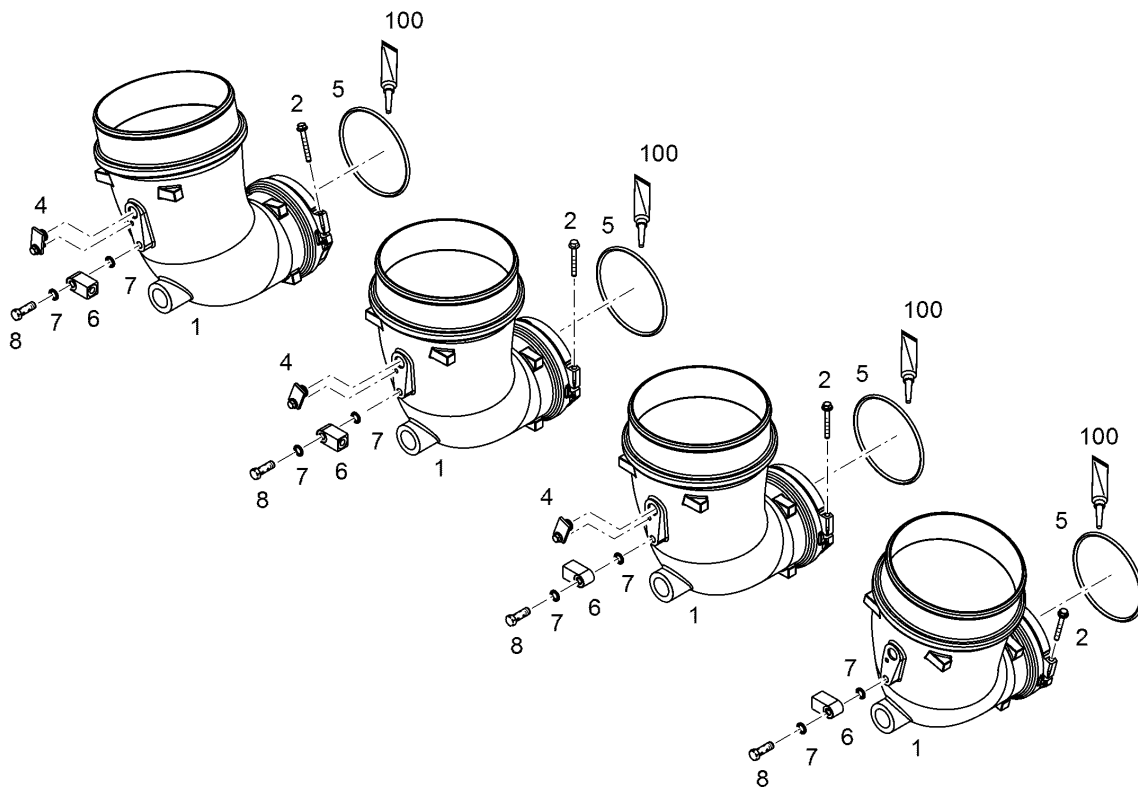
Air intake assembly 230612228

Po s.	Part No.	Ver	Description	Qty.	Un S/N from	S/N to	Page
1	230612231	-	Air intake pipe right	1	UN		
2	230612232	-	Air intake pipe right	1	UN		
3	230612229	-	Air intake pipe left	1	UN		
4	230612230	-	Air intake pipe left	1	UN		
5	230610186	-	Seal	16	UN		
6	230612328	-	Hex screw	15	UN		
7	230612321	-	Hex screw	14	UN		
8	230612278	-	Double-ended stud	3	UN		
9	230612311	-	Hex nut	3	UN		
10	230610412	-	O-ring	4	UN		
100	230610702	-	Grease	1	UN		7



Intake stack assembly 230612376

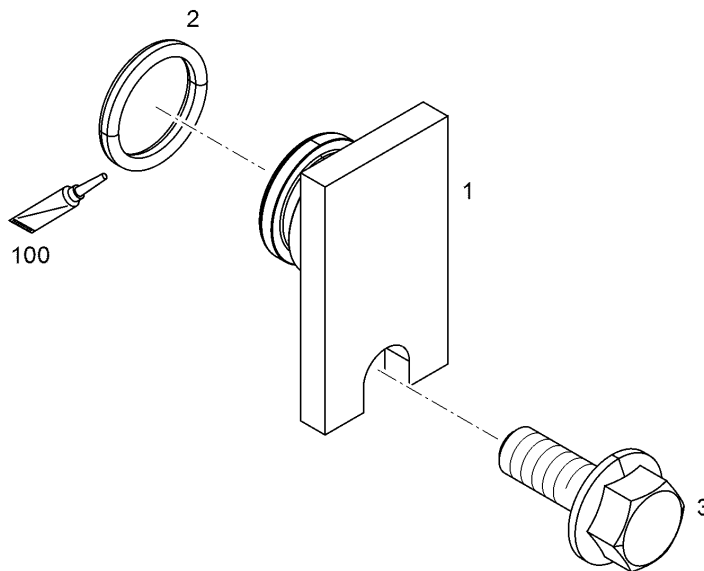
Po s.	Part No.	Ver	Description	Qty.	Un S/N from	S/N to	Page
1	230610851	-	Intake stack	4	UN		
2	230610320	-	Hex screw	4	UN		
4	230610574	-	Locking pieces	3	UN		74
5	230610209	-	O-ring	4	UN		
6	230612246	-	Connection piece	4	UN		
7	230610055	-	Sealing ring	8	UN		
8	230612277	-	Double banjo bolt	4	UN		
100	230610702	-	Grease	1	UN		7



Locking pieces

230610574

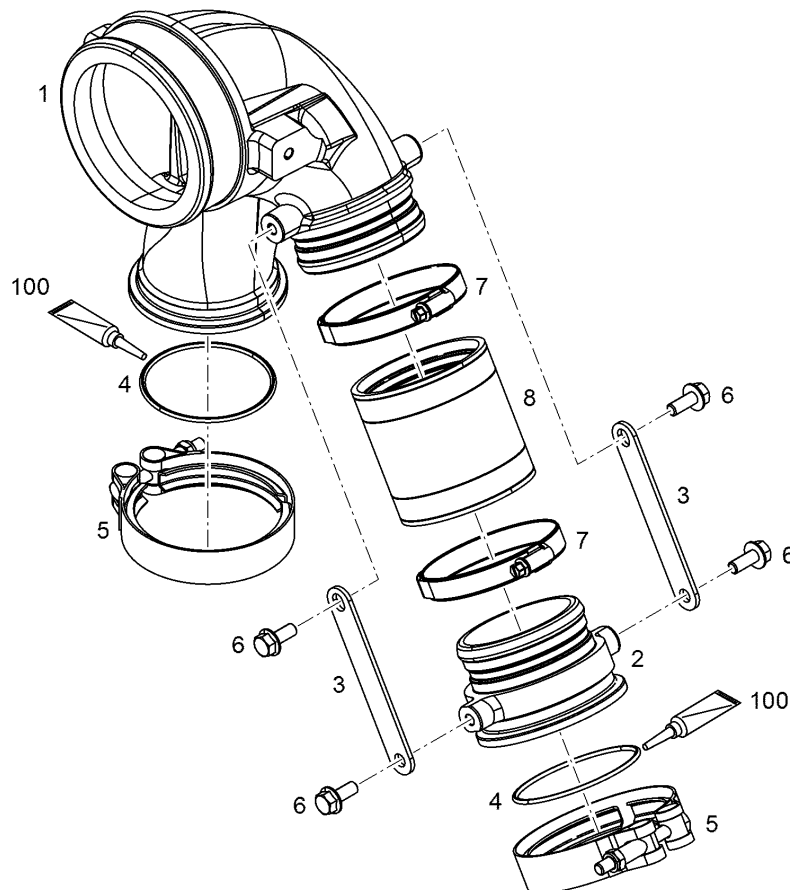
Po s.	Part No.	Ver	Description	Qty.	Un S/N from	S/N to	Page
1	230610151	-	Cover	1	UN		
2	230610199	-	O-ring	1	UN		
3	230610312	-	Hex screw	1	UN		
100	230610702	-	Grease	1	UN		7



Charge air line assembly

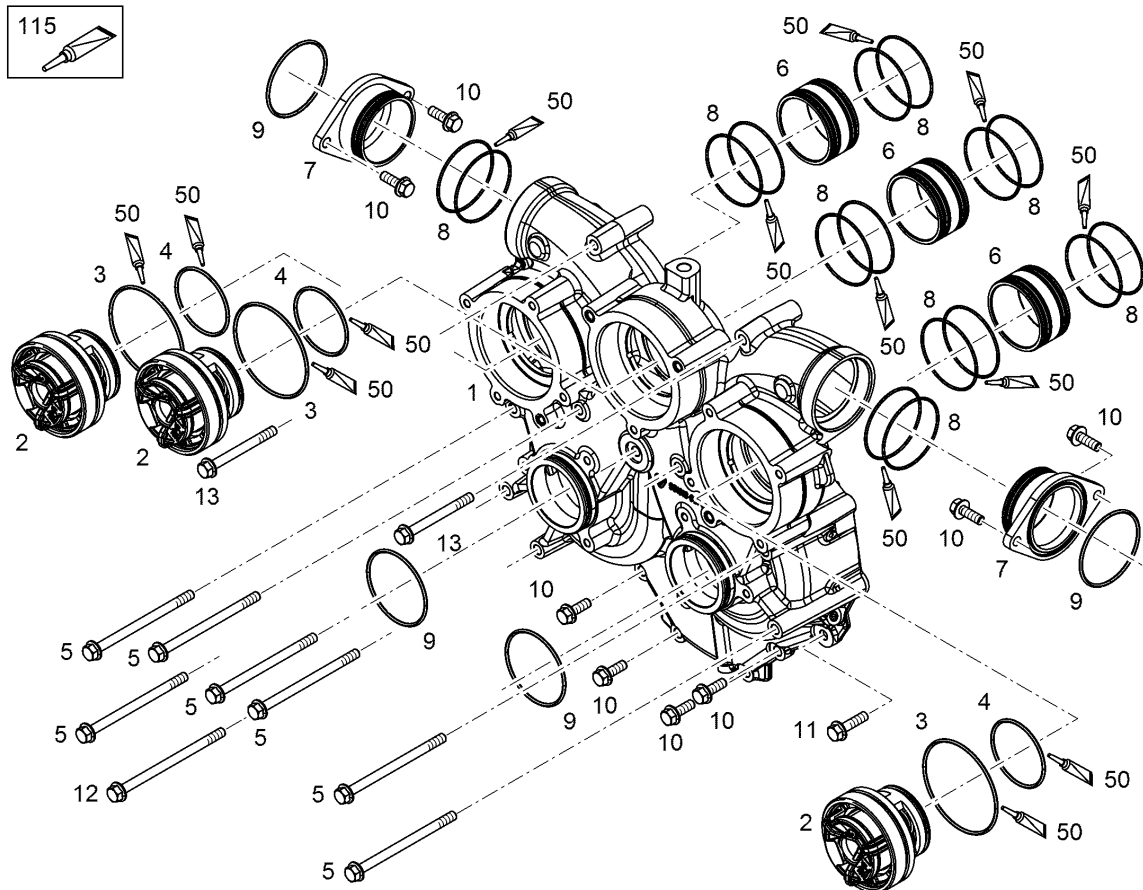
230610601

Po s.	Part No.	Ver	Description	Qty.	Un S/N from	S/N to	Page
1	230610959	-	Charge air pipe	1	UN		
2	230610960	-	Charge air pipe	1	UN		
3	230610961	-	Plate	2	UN		
4	230610202	-	O-ring	2	UN		
5	230610100	-	Retainer clip	2	UN		
6	230611470	-	Hex screw	4	UN		
7	230610099	-	Hose clamp	2	UN		
8	230610217	-	Rubber connection	1	UN		
100	230610702	-	Grease	1	UN		7



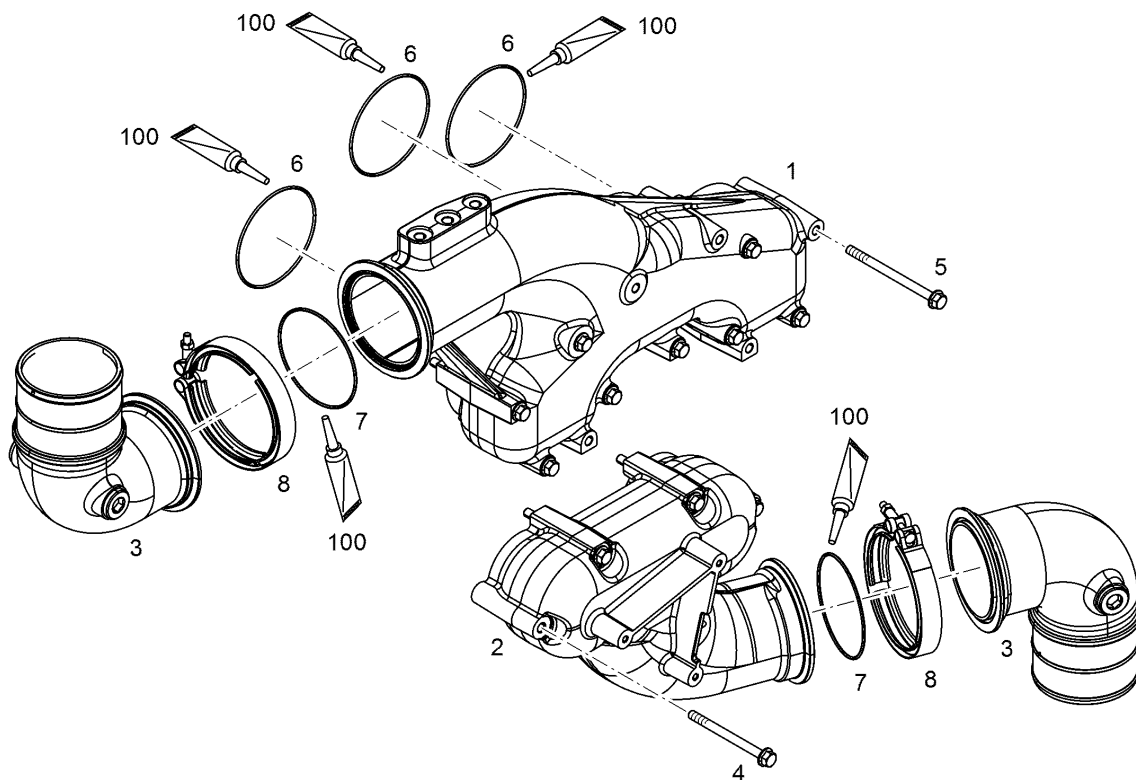
Water pump with fastening 230612452

Po s.	Part No.	Ver	Description	Qty.	Un S/N from	S/N to	Page
1	230612453	-	Water pump, pre-assembled	1	UN		
2	230610286	-	Thermostat	3	UN		
3	230610208	-	O-ring	3	UN		
4	230610200	-	O-ring	3	UN		
5	230612334	-	Hex screw	7	UN		
6	230610637	-	Tube	3	UN		
7	230610636	-	Flange	2	UN		
8	230610416	-	O-ring	16	UN		
9	230610420	-	O-ring	4	UN		
10	230610459	-	Hex screw	8	UN		
11	230612335	-	Hex screw	1	UN		
12	230612336	-	Hex screw	1	UN		
13	230612320	-	Hex screw	2	UN		
50	230610702	-	Grease	1	UN		7
115	230610710	-	Surface sealing	1	UN		



Thermostat housing assembly 230610756

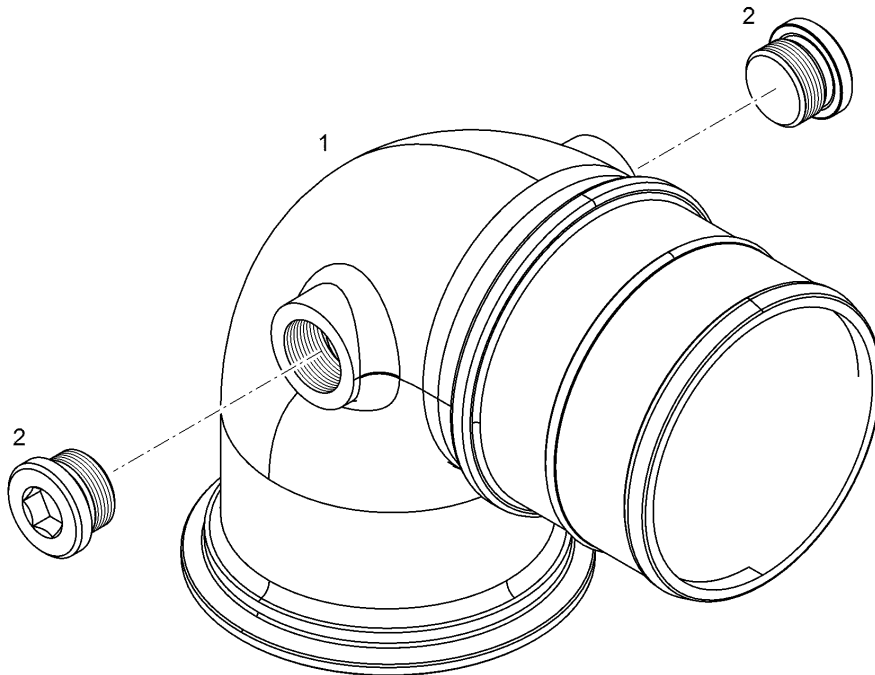
Po s.	Part No.	Ver	Description	Qty.	Un	S/N from	S/N to	Page
1	230610977	-	Coolant pipe bend	1	UN			
2	230610976	-	Coolant pipe bend	1	UN			
3	230610903	-	Connection f. water pipe	2	UN			78
4	230610340	-	Hex screw	6	UN			
5	230612321	-	Hex screw	9	UN			
6	230610407	-	O-ring	3	UN			
7	230610408	-	O-ring	2	UN			
8	230610541	-	Retainer clip	2	UN			
100	230610702	-	Grease	1	UN			7



Connection f.water pipe

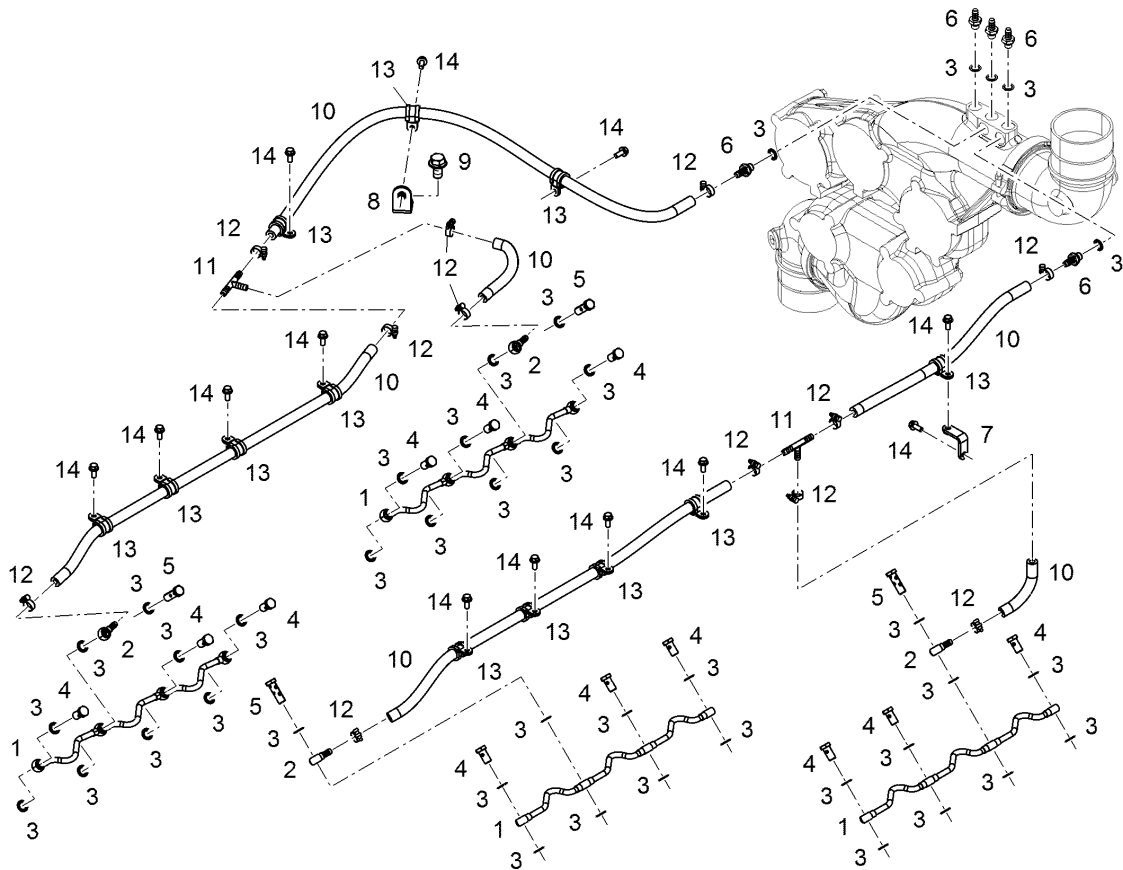
230610903

Po s.	Part No.	Ver	Description	Qty.	Un S/N from	S/N to	Page
1	230610896	-	Connecting elbow	1	UN		
2	230610071	-	Screw plug	2	UN		



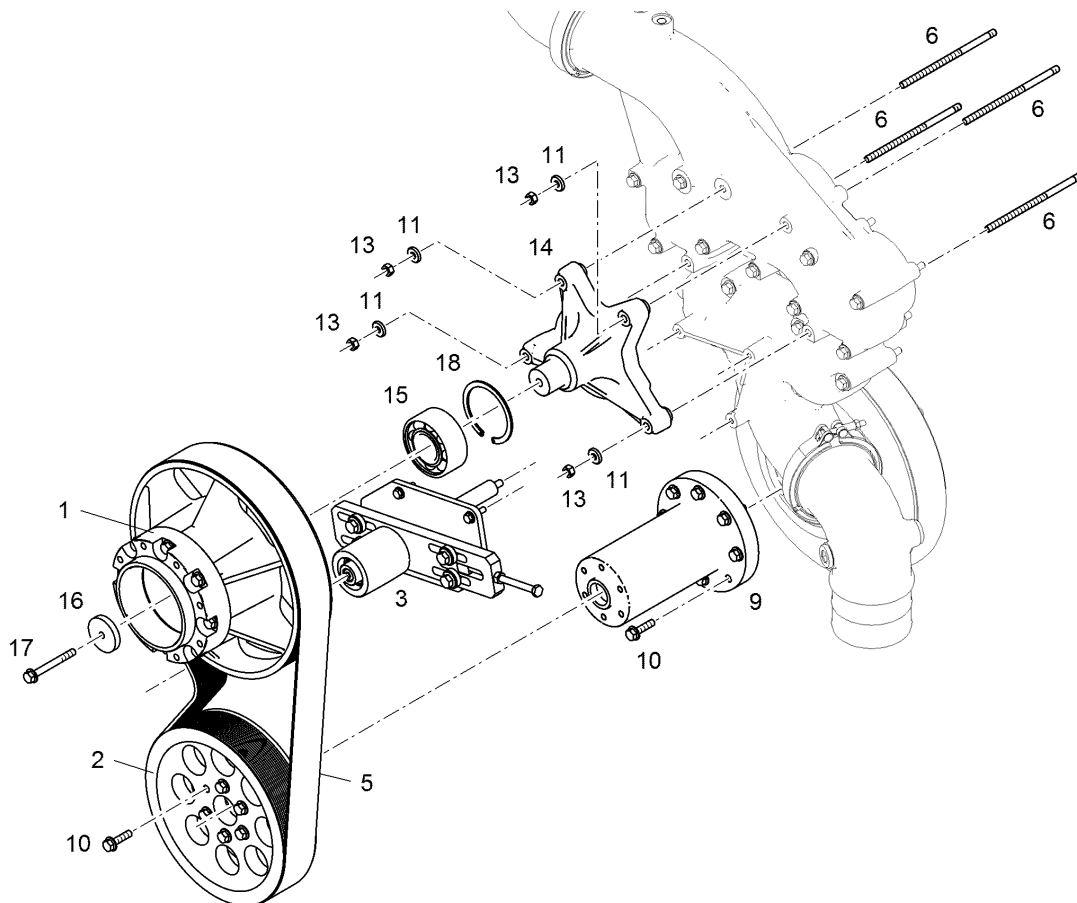
Vent tube assembly 230612449

Po s.	Part No.	Ver	Description	Qty.	Un S/N from	S/N to	Page
1	230610501	-	Ventilation line	4	UN		
2	230610421	-	Fittings	4	UN		
3	230610056	-	Sealing ring	41			
4	230612360	-	Hollow screw	12	UN		
5	230612274	-	Double banjo bolt	4	UN		
6	230610437	-	Hose nipple	5	UN		
7	230612348	-	Holder	1	UN		
8	230610999	-	Holder	1	UN		
9	230612332	-	Hex screw	1	UN		
10	230610927	-	Hose	3.791	UN		
11	230610985	-	Hose nipple	2	UN		
12	230610389	-	Hose clamp	12	UN		
13	230610410	-	Clamp	12	UN		
14	230612325	-	Hex screw	13	UN		



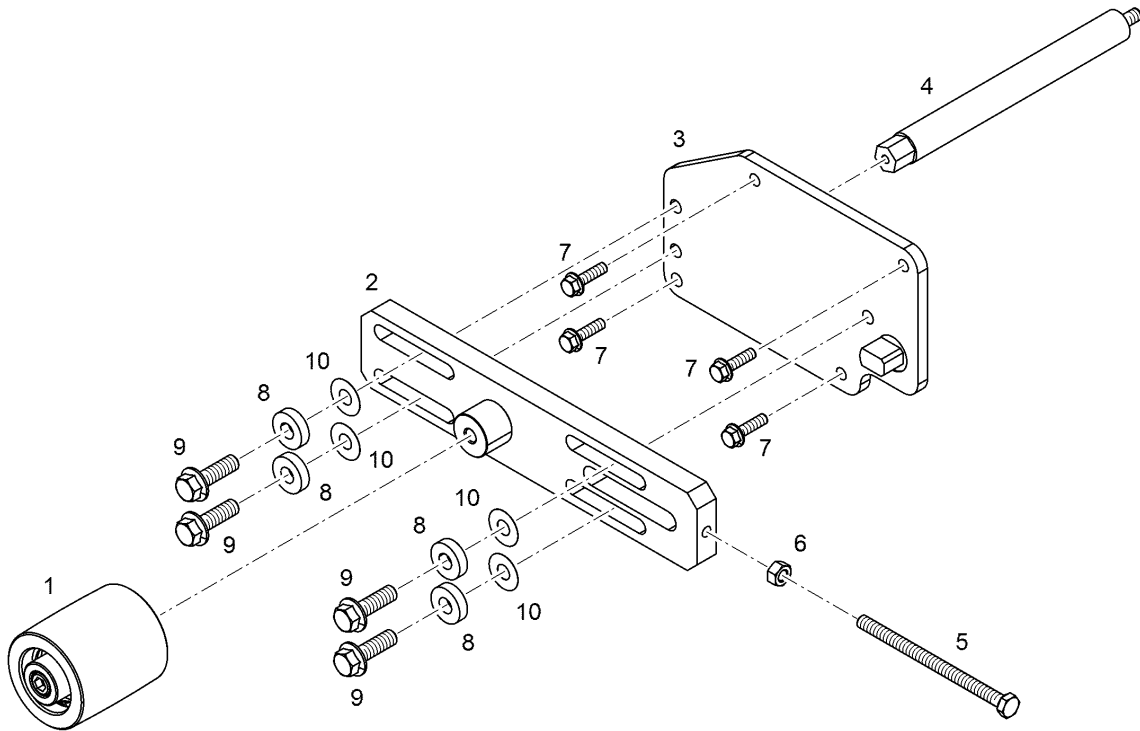
Fan drive assembly 230610841

Po s.	Part No.	Ver	Description	Qty.	Un	S/N from	S/N to	Page
1	230610998	-	V-belt pulley pre-ass.	1	UN			
2	230610862	-	Belt pulley	1	UN			
3	230610972	-	Tightening roller	1	UN			81
5	230612001	-	Belt	1	UN			
6	230610951	-	Double-ended stud	4	UN			
9	230610980	-	Spacer piece	1	UN			
10	230610489	-	Hex screw	14	UN			
11	230611949	-	Washer	4	UN			
13	230610162	-	Hex nut	4	UN			
14	230611974	-	Axis	1	UN			
15	230610860	-	Steep-angle bearing	1	UN			
16	230610553	-	Washer	1	UN			
17	230610717	-	Hex screw	1	UN			
18	230610382	-	Locking ring	1	UN			



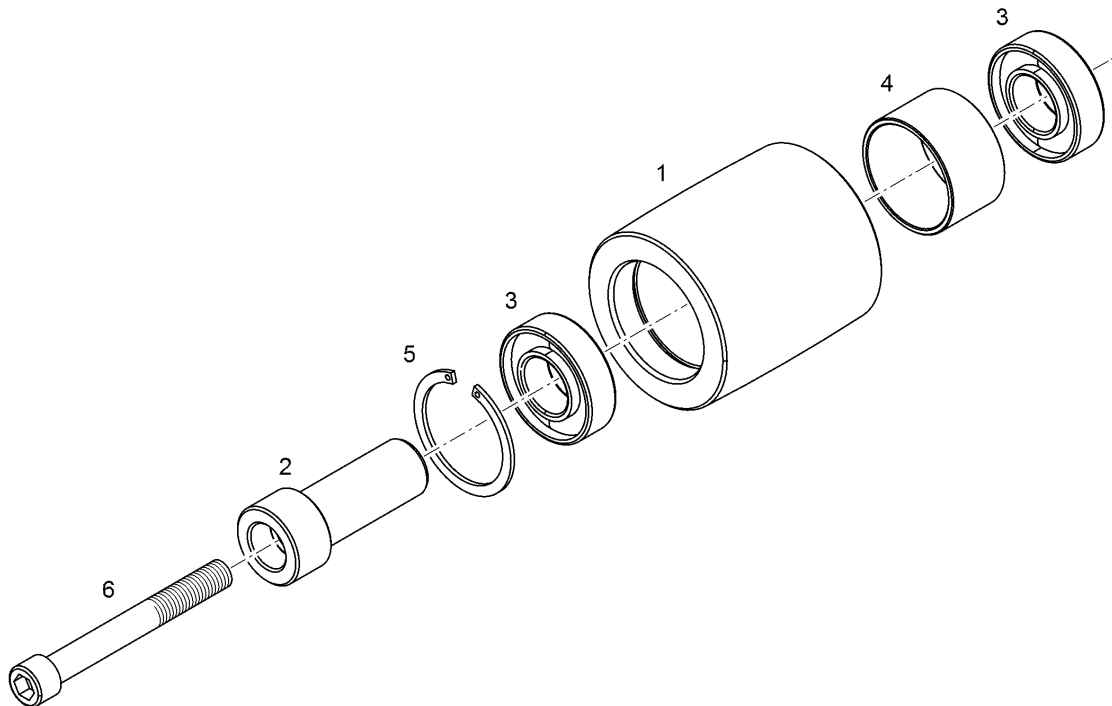
Tightening roller 230610972

Po s.	Part No.	Ver	Description	Qty.	Un S/N from	S/N to	Page																							
1	230610975	-	Guide pulley compl.	1	UN		82																							
2	230610973	-	Holder	1	UN																									
3	230610974	-	Holder	1	UN																									
4	230610971	-	Spacer piece	1	UN																									
5	230610704	-	Hex screw	1	UN																									
6	230610162	-	Hex nut	1	UN																									
7	230610322	-	Hex screw	4			8	230610432	-	Distance sleeve	4	UN			9	230610336	-	Hex screw	4	UN			10	230610911	-	Intermediate part	4	UN		
8	230610432	-	Distance sleeve	4	UN																									
9	230610336	-	Hex screw	4	UN																									
10	230610911	-	Intermediate part	4	UN																									



Guide pulley compl. 230610975

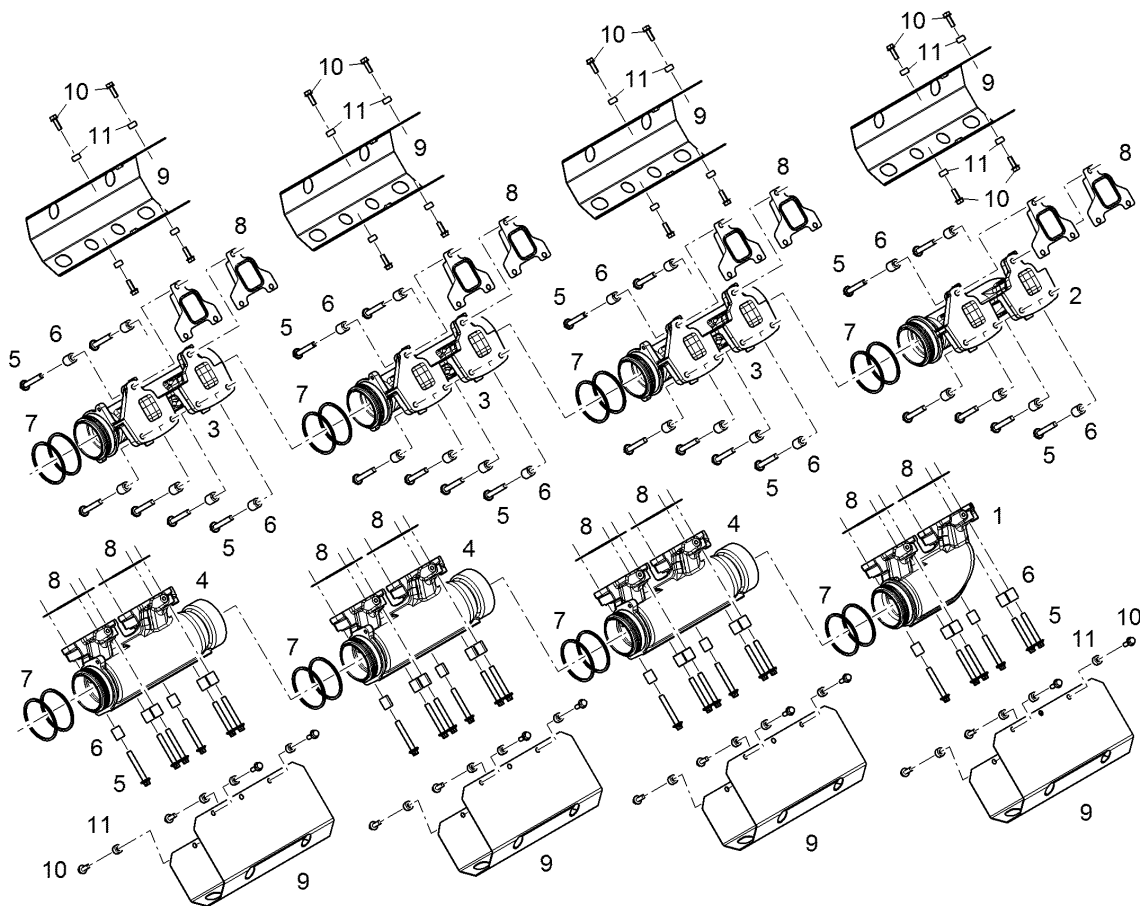
Po s.	Part No.	Ver	Description	Qty.	Un S/N from	S/N to	Page
1	230611979	-	Pulley	1	UN		
2	230611980	-	Bushing	1	UN		
3	230611981	-	Bearing	2	UN		
4	230611982	-	Brace	1	UN		
5	230611983	-	Snap ring	1	UN		
6	230612441	-	Socket head screw	1	UN		



Exhaust pipe assembly

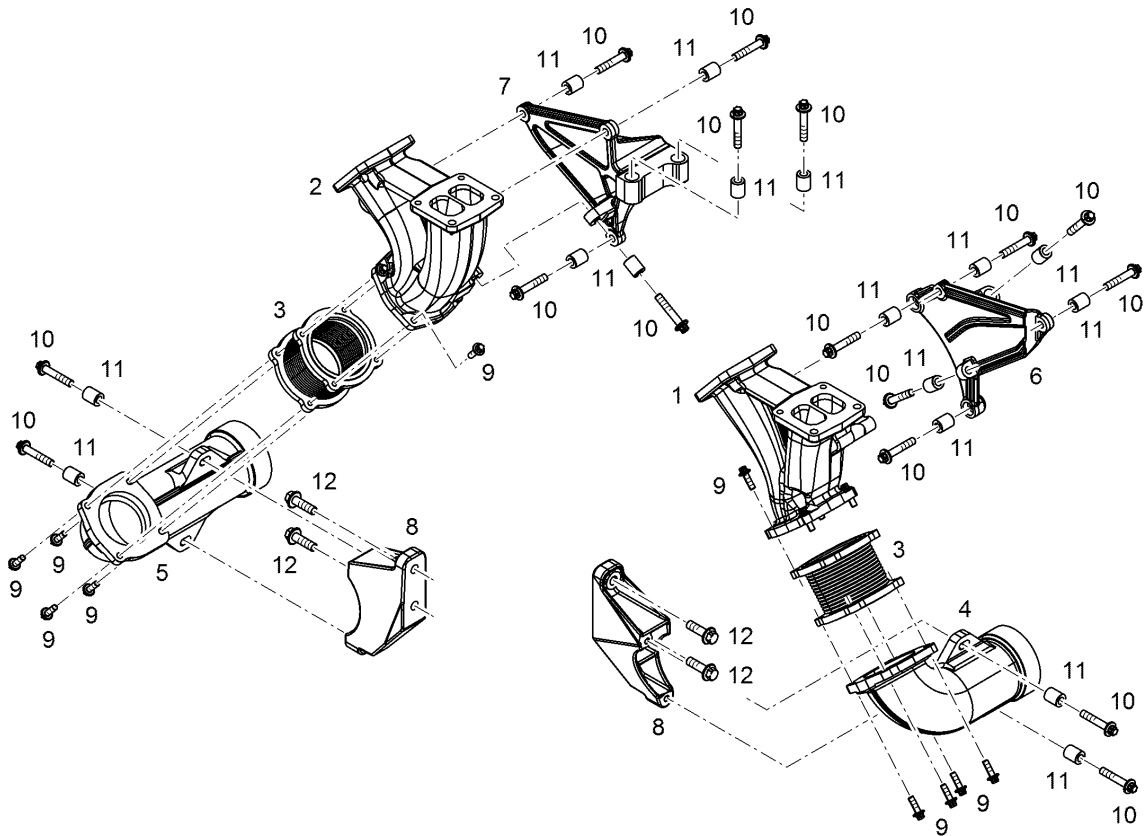
230612290

Po s.	Part No.	Ver	Description	Qty.	Un S/N from	S/N to	Page
1	230610993	-	Exhaust pipe	1	UN		
2	230610995	-	Exhaust pipe	1	UN		
3	230610994	-	Exhaust pipe	3	UN		
4	230610992	-	Exhaust pipe	3	UN		
5	230610350	-	Hexalobular head screw	48	UN		
6	230610539	-	Distance sleeve	48	UN		
7	230610597	-	Lamellar disk kit	16	UN		
8	230610189	-	Seal	16	UN		
9	230610610	-	Heat protection sheet	8	UN		
10	230610342	-	Hex screw	32	UN		
11	230610443	-	Distance sleeve	32	UN		



Outlet manifold add-on 230612408

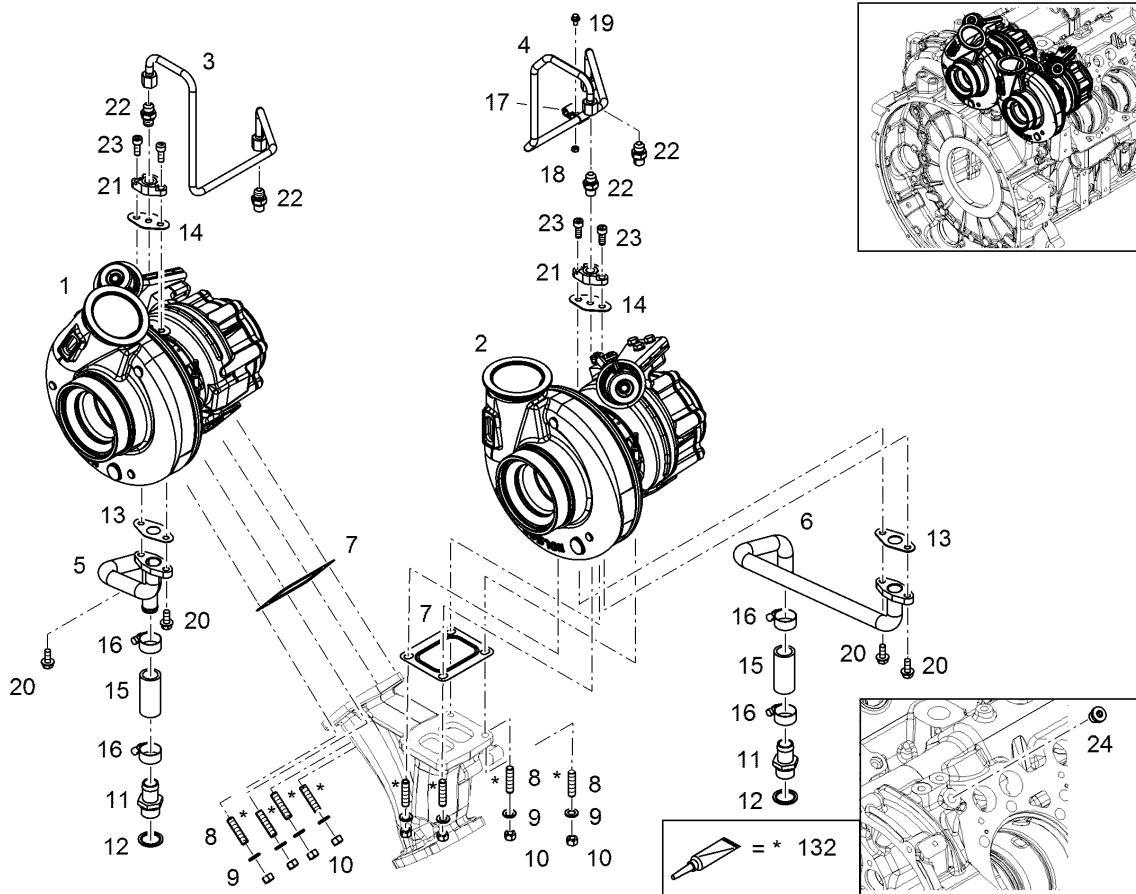
Po s.	Part No.	Ver	Description	Qty.	Un	S/N from	S/N to	Page
1	230612288	-	Exhaust nozzle	1	UN			
2	230612289	-	Exhaust nozzle	1	UN			
3	230610598	-	Compensator	2	UN			
4	230612406	-	Outlet manifold	1	UN			
5	230612407	-	Outlet manifold	1	UN			
6	230612250	-	Console	1	UN			
7	230612251	-	Console	1	UN			
8	230612447	-	Support	2	UN			
9	230610496	-	Hexalobular head screw	16	UN			
10	230612341	-	Hexalobular head screw	16	UN			
11	230610535	-	Distance sleeve	16	UN			
12	230612318	-	Hex screw	4	UN			



Exhaust tc mounting

230612293

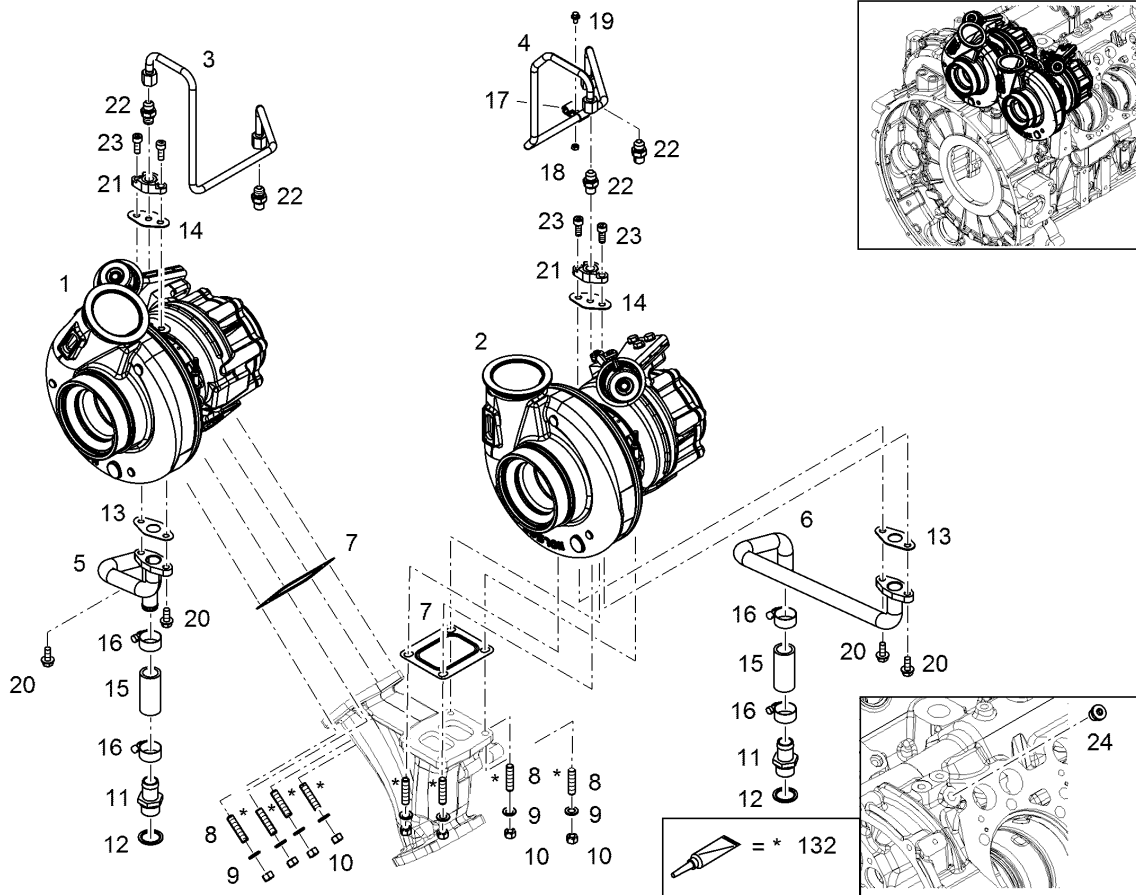
Po s.	Part No.	Ver	Description	Qty.	Un S/N from	S/N to	Page
1	230612286	-	Exhaust gas turbocharger	1	UN		
2	230612287	-	Exhaust gas turbocharger	1	UN		
3	230612380	-	Lubricating oil line	1	UN		
4	230612381	-	Lubricating oil line	1	UN		
5	230612394	-	Oil return pipe	1	UN		
6	230612395	-	Oil return pipe	1	UN		
7	230610516	-	Seal	2	UN		
8	230610180	-	Double-ended stud	8	UN		
9	230610263	-	Washer	8	UN		
10	230610163	-	Nut	8	UN		
11	230610253	-	Hose nipple	2	UN		
12	230610059	-	Sealing ring	2	UN		
13	230610448	-	Seal	2	UN		
14	230610447	-	Seal	2	UN		
15	230611926	-	Rubber sleeve	2	UN		
16	230610385	-	Hose clamp	4	UN		



Exhaust tc mounting

230612293

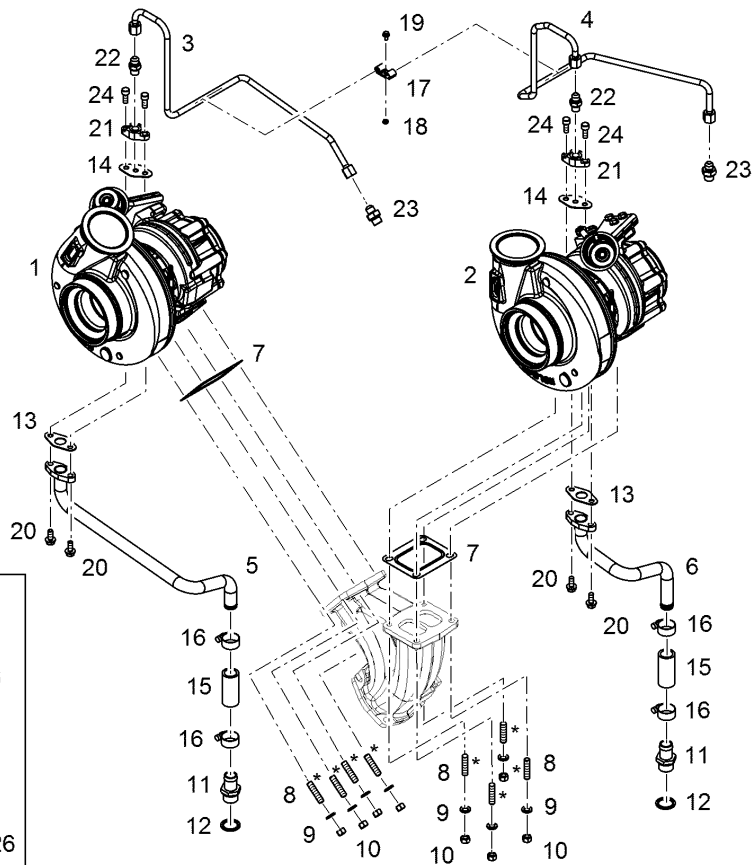
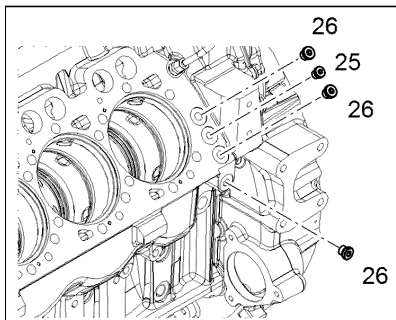
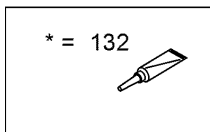
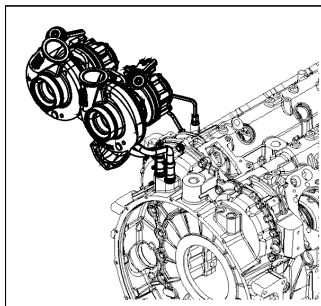
Po s.	Part No.	Ver	Description	Qty.	Un S/N from	S/N to	Page
17	230610366	-	Pipe clamp	1	UN		
18	230611975	-	Nut	1	UN		
19	230612337	-	Hex screw	1	UN		
20	230610319	-	Hex screw	4	UN		
21	230612296	-	Flange	2	UN		
22	230610243	-	Flange joint	4	UN		
23	230612446	-	Socket head screw	4	UN		
24	230610065	-	Screw plug	1	UN		
132	230610456	-	Copper paste	1	UN		



Exhaust tc mounting

230612294

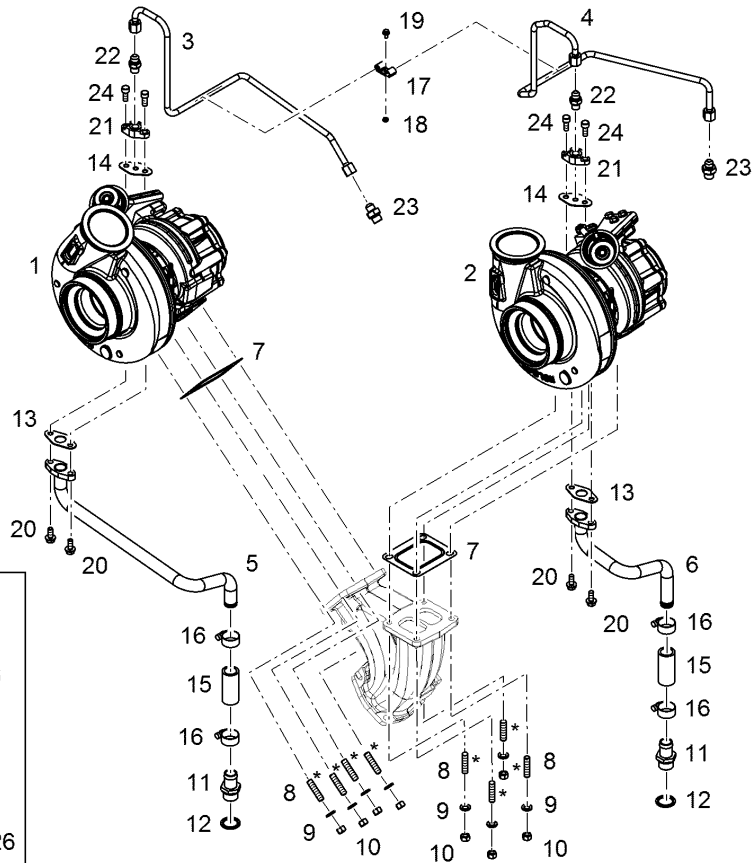
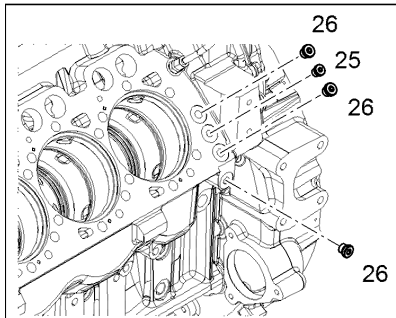
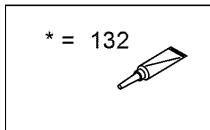
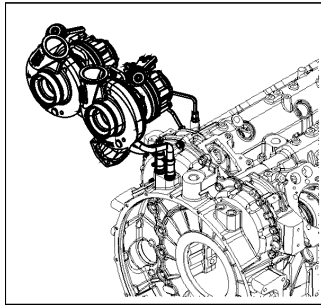
Po s.	Part No.	Ver	Description	Qty.	Un S/N from	S/N to	Page
1	230612286	-	Exhaust gas turbocharger	1	UN		
2	230612287	-	Exhaust gas turbocharger	1	UN		
3	230612382	-	Lubricating oil line	1	UN		
4	230612383	-	Lubricating oil line	1	UN		
5	230612396	-	Oil return pipe	1	UN		
6	230612397	-	Oil return pipe	1	UN		
7	230610516	-	Seal	2	UN		
8	230610180	-	Double-ended stud	8	UN		
9	230610263	-	Washer	8	UN		
10	230610163	-	Nut	8	UN		
11	230610253	-	Hose nipple	2	UN		
12	230610059	-	Sealing ring	2	UN		
13	230610448	-	Seal	2	UN		
14	230610447	-	Seal	2	UN		
15	230611926	-	Rubber sleeve	2	UN		
16	230610385	-	Hose clamp	4	UN		



Exhaust tc mounting

230612294

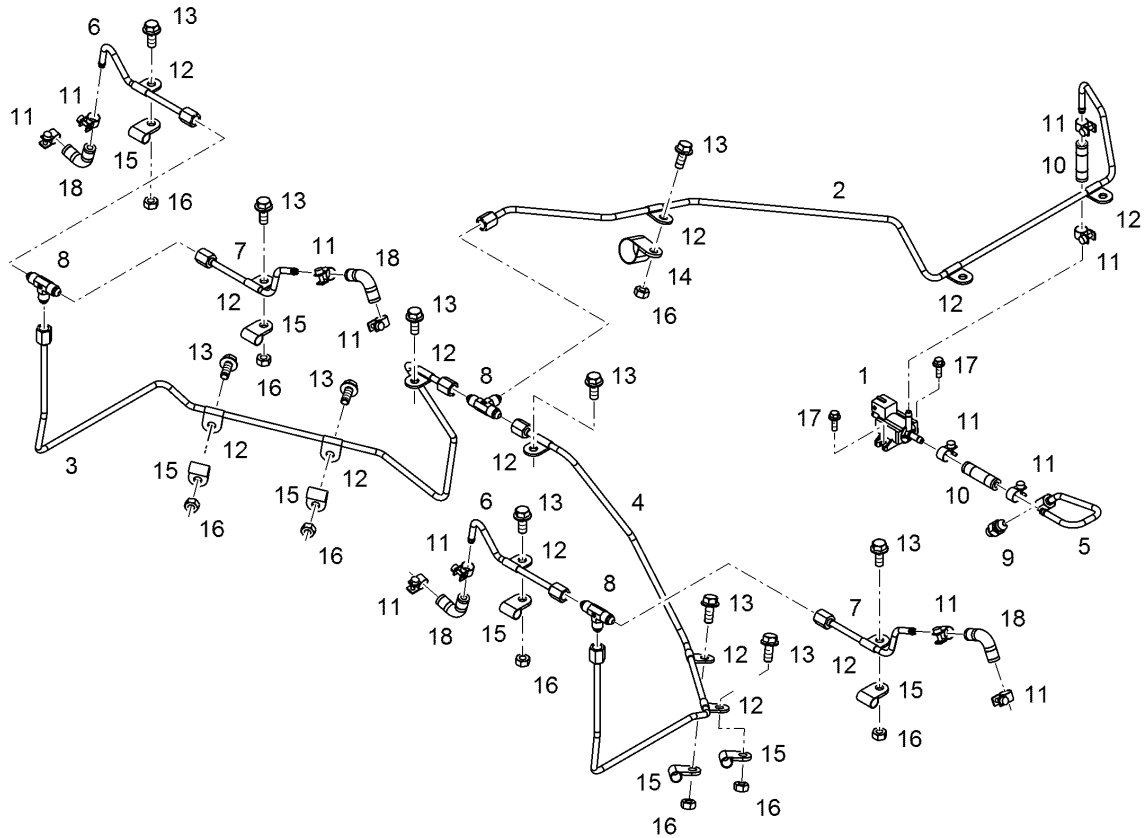
Po s.	Part No.	Ver	Description	Qty.	Un	S/N from	S/N to	Page																																																											
17	230610366	-	Pipe clamp	1	UN																																																														
18	230611975	-	Nut	1	UN																																																														
19	230612337	-	Hex screw	1	UN																																																														
20	230610319	-	Hex screw	4	21	230612296	-	Flange	2	UN				22	230610243	-	Flange joint	2	UN				23	230610721	-	Flange joint	2	UN				24	230612446	-	Socket head screw	4	UN				25	230610064	-	Screw plug	1	UN				26	230610065	-	Screw plug	3	UN				132	230610456	-	Copper paste	1	UN			
21	230612296	-	Flange	2	UN																																																														
22	230610243	-	Flange joint	2	UN																																																														
23	230610721	-	Flange joint	2	UN																																																														
24	230612446	-	Socket head screw	4	UN																																																														
25	230610064	-	Screw plug	1	UN																																																														
26	230610065	-	Screw plug	3	UN																																																														
132	230610456	-	Copper paste	1	UN																																																														



Regulation boost pressure

230612429

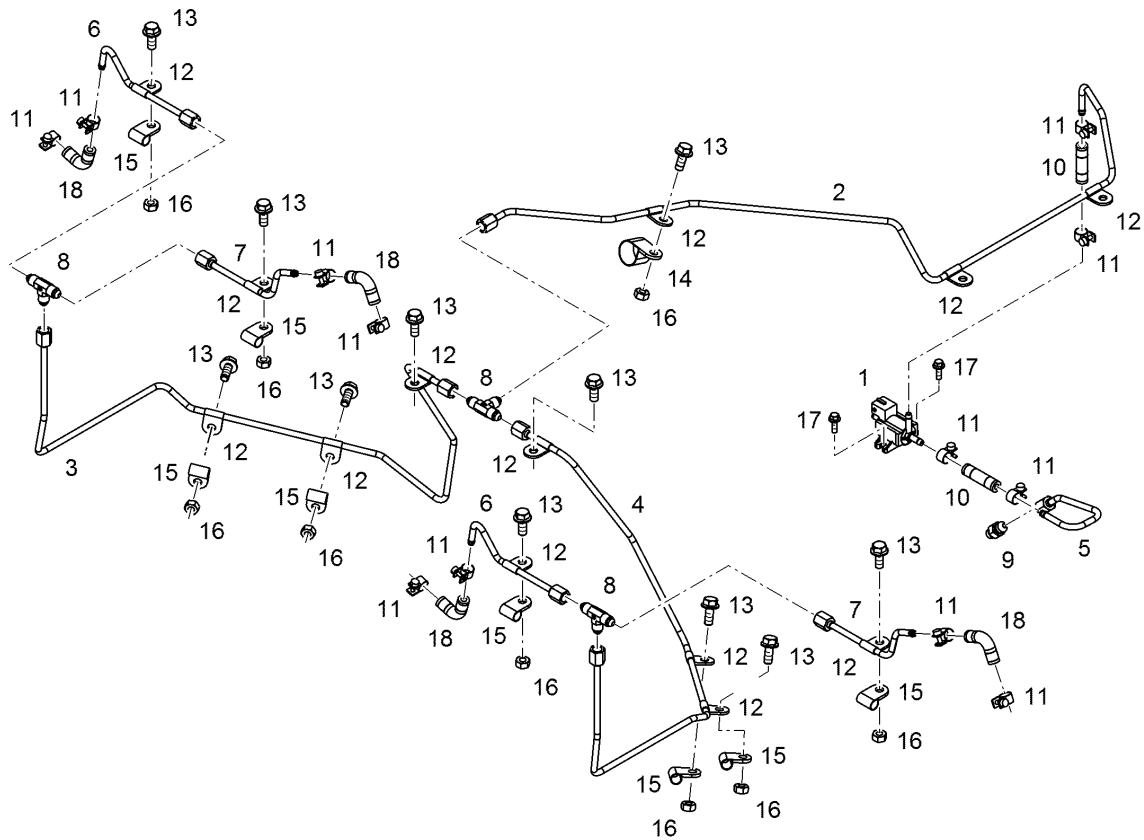
Po s.	Part No.	Ver	Description	Qty.	Un S/N from	S/N to	Page
1	230610082	-	Cycle valve	1	UN		
2	230612419	-	Pipeline	1	UN		
3	230612420	-	Pipeline	1	UN		
4	230612421	-	Pipeline	1	UN		
5	230612422	-	Pipeline	1	UN		
6	230612425	-	Pipeline	2	UN		
7	230612426	-	Pipeline	2	UN		
8	230612295	-	Fitting	3	UN		
9	230610242	-	Flange joint	1	UN		
10	230610212	-	Rubber connection	2	UN		
11	230610083	-	Hose clamp	12	UN		
12	230610096	-	Clamp	13	UN		
13	230610319	-	Hex screw	11	UN		
14	230610422	-	Clamp	1	UN		
15	230610084	-	Clamp	8	UN		
16	230612312	-	Hex nut	9	UN		



Regulation boost pressure

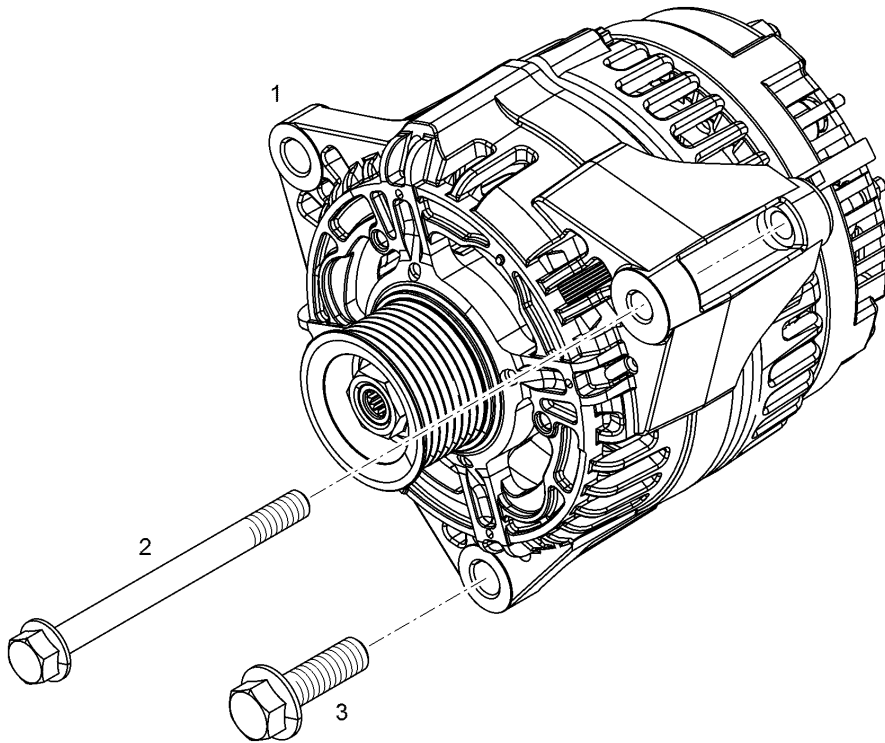
230612429

Po s.	Part No.	Ver	Description	Qty.	Un S/N from	S/N to	Page
17	230611946	-	Screw	2	UN		
18	230610214	-	Rubber connection	4	UN		



Generator add-on 230610814

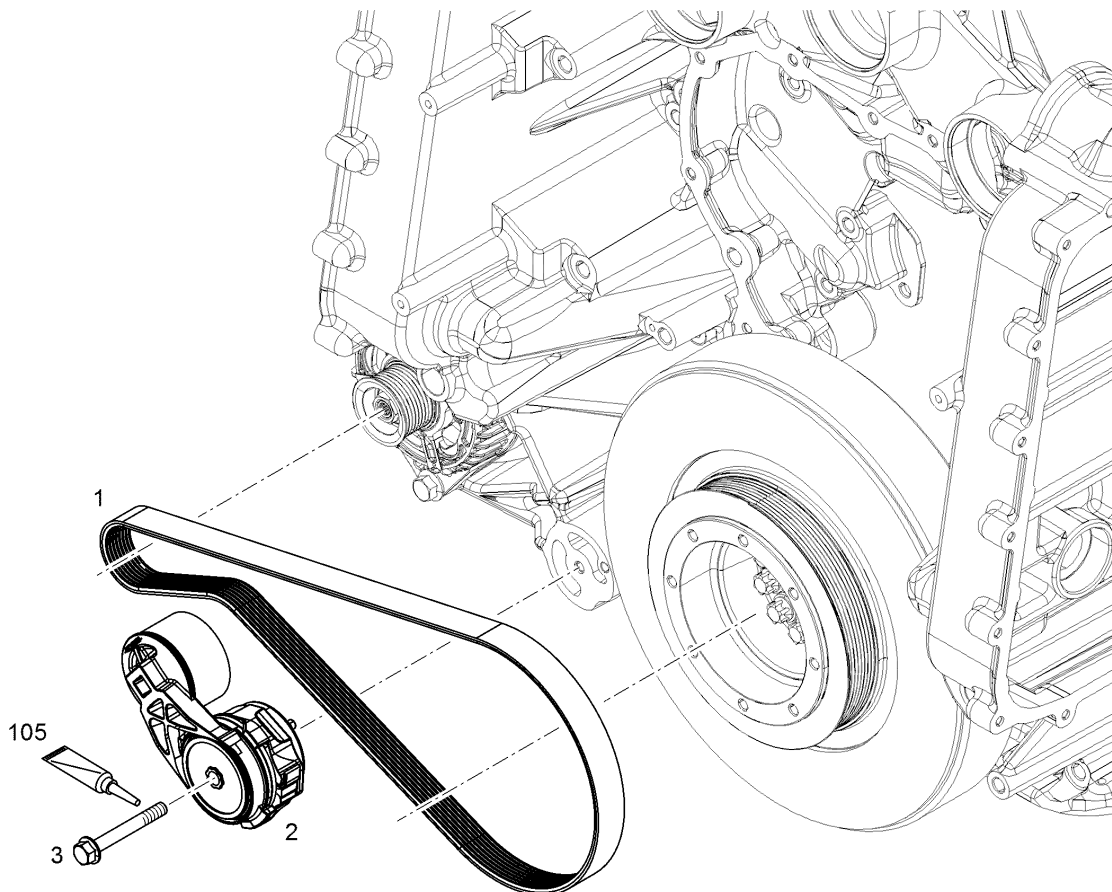
Po s.	Part No.	Ver	Description	Qty.	Un S/N from	S/N to	Page
1	230610917	-	Generator, pre-assembled	1	UN		
2	230610340	-	Hex screw	1	UN		
3	230610336	-	Hex screw	1	UN		
4	230611951	-	Nut	1	UN		
5	230611973	-	Bushing	1	UN		



Belt drive

230610815

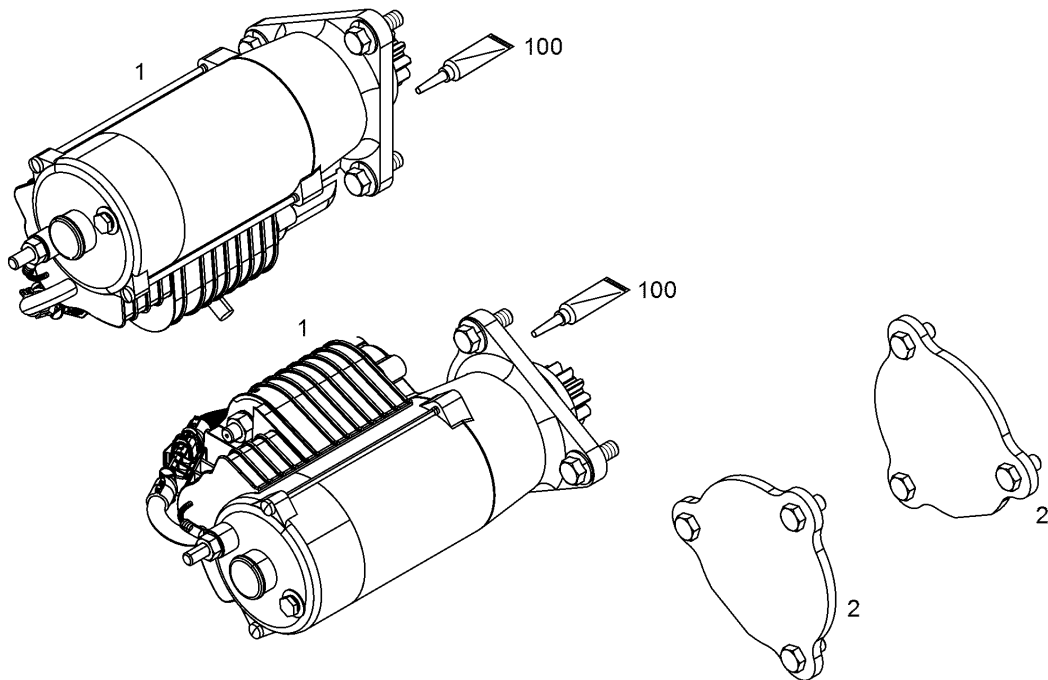
Po s.	Part No.	Ver	Description	Qty.	Un S/N from	S/N to	Page
1	230611648	-	Belt	1	UN		
2	230610650	-	Fastening device	1	UN		
3	230612322	-	Hex screw	1	UN		
105	230611017	-	Screw locking	1	UN		



Starter installation

230610861

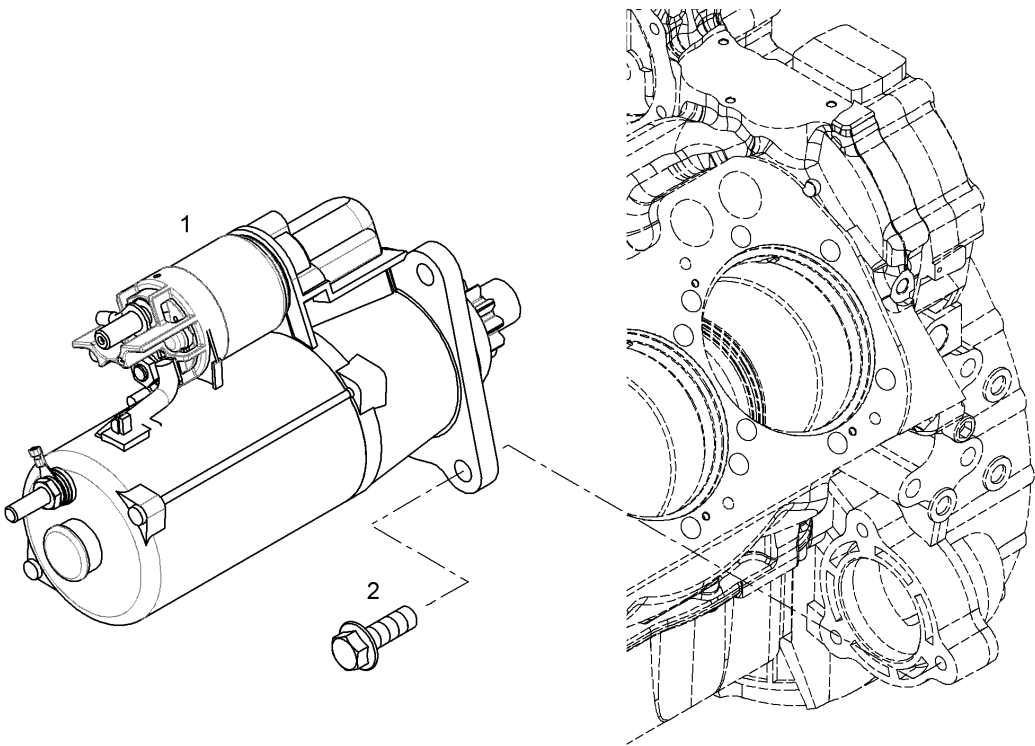
Po s.	Part No.	Ver	Description	Qty.	Un S/N from	S/N to	Page
1	230610505	-	Starter installation	2	UN		94
2	230610221	-	Locking pieces	2	UN		96
100	230610702	-	Grease	1	UN		7



Starter installation

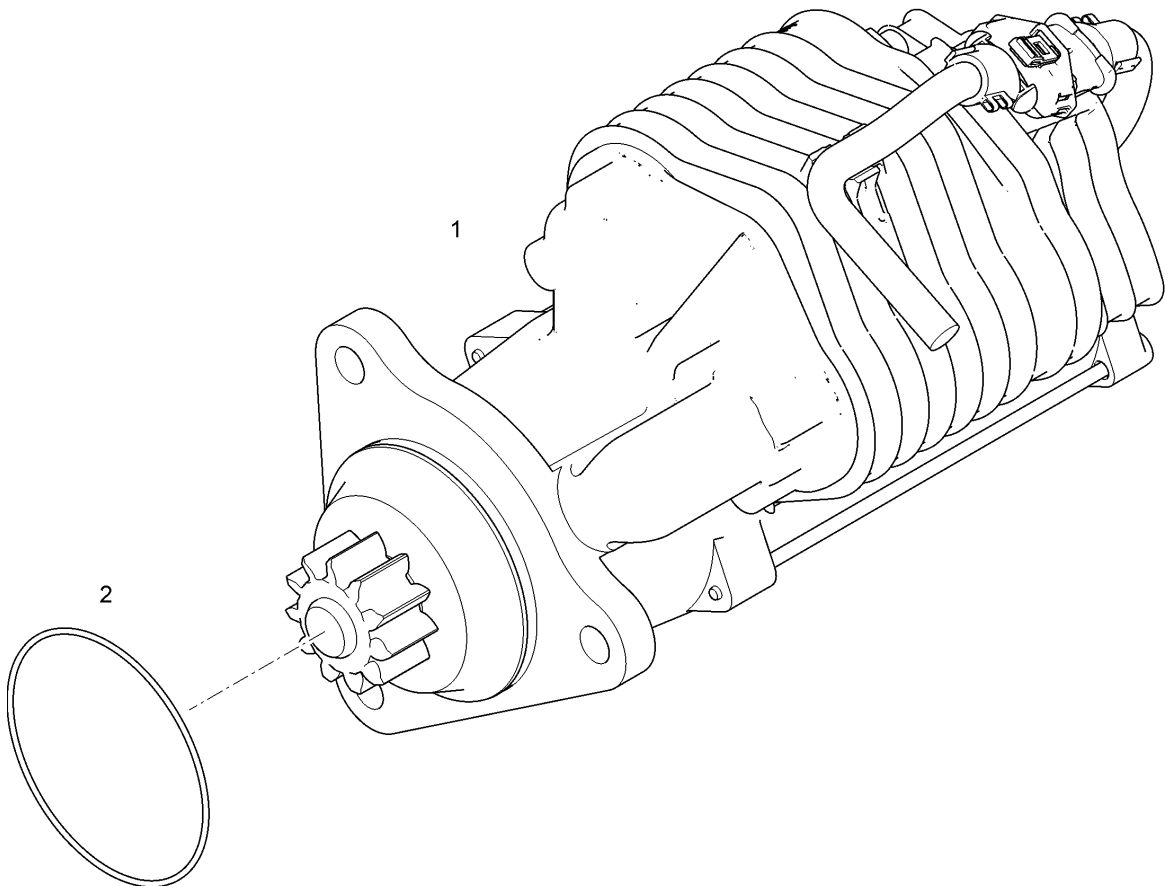
230610505

Po s.	Part No.	Ver	Description	Qty.	Un S/N from	S/N to	Page
1	230610506	-	Starter pre-assy.	1	UN		95
2	230611961	-	Screw	3	UN		



Starter pre-assy.
230610506

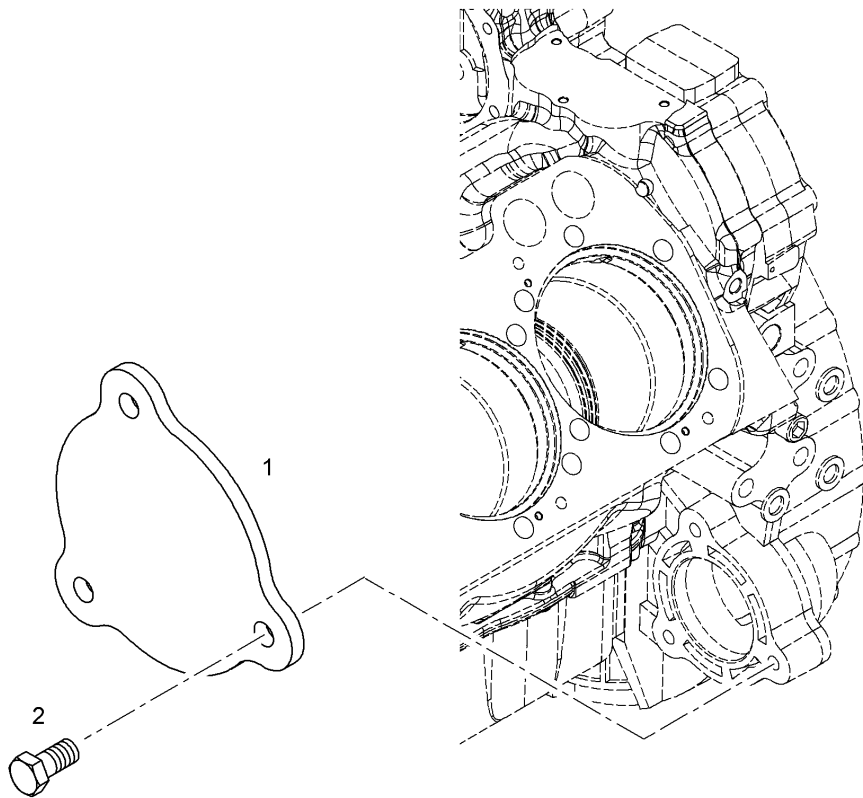
Po s.	Part No.	Ver	Description	Qty.	Un S/N from	S/N to	Page
1	230610507	-	Starter	1	UN		
2	230610701	-	O-ring	1	UN		



Locking pieces

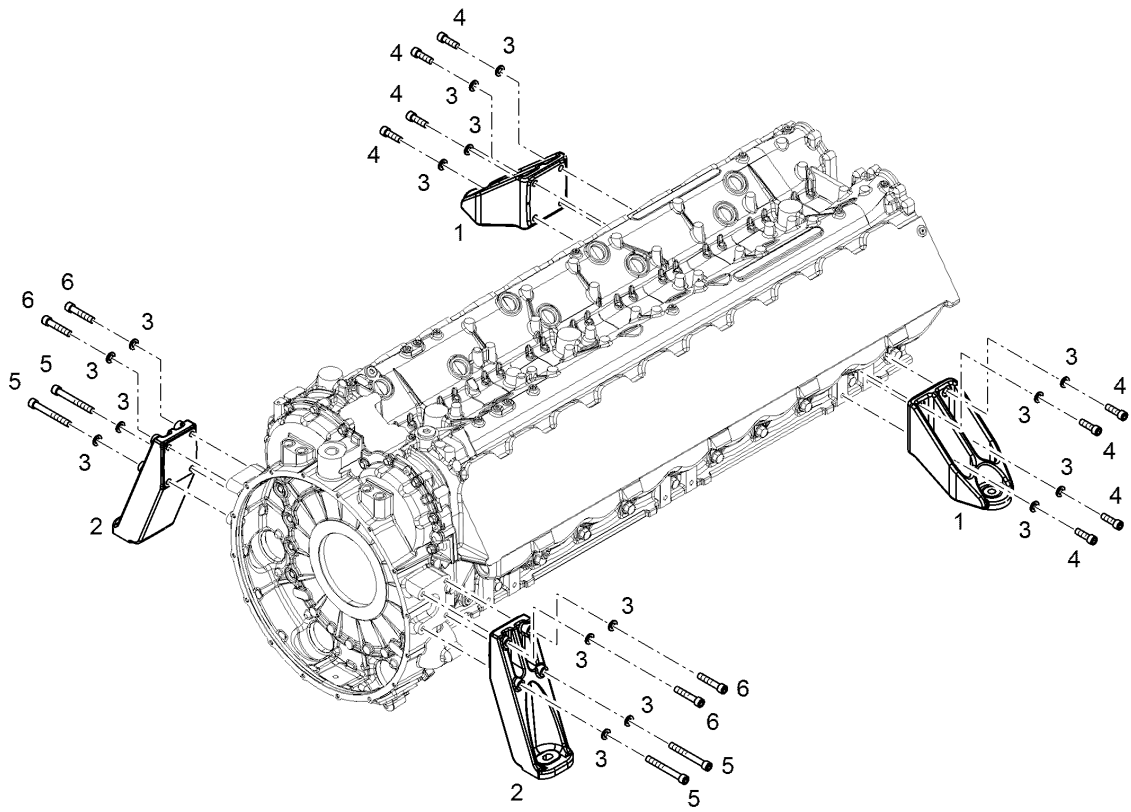
230610221

Po s.	Part No.	Ver	Description	Qty.	Un S/N from	S/N to	Page
1	230610436	-	Cover	1	UN		
2	230610386	-	Hex screw	3	UN		



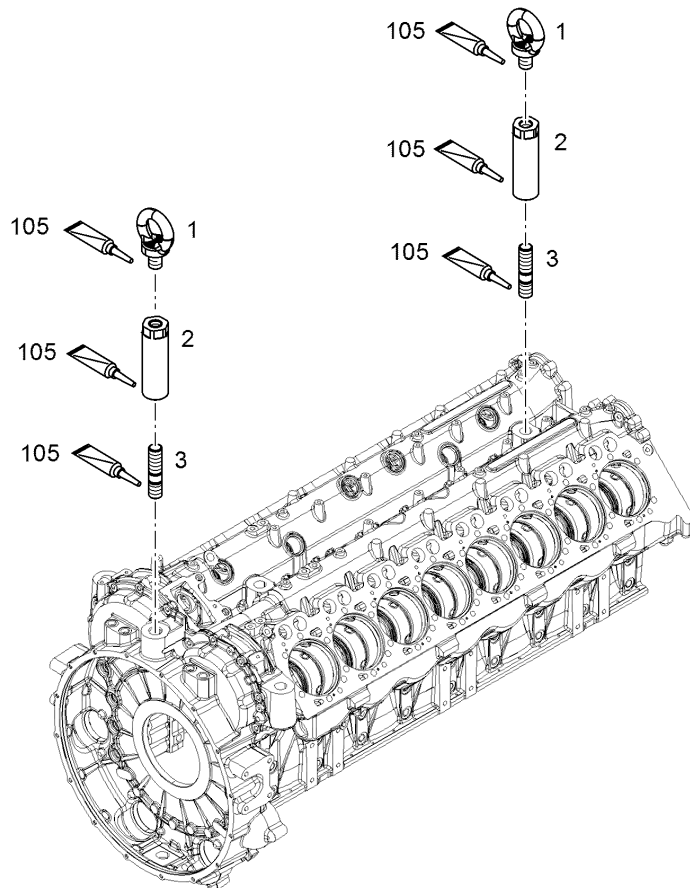
Fastening pieces assembly 230610811

Po s.	Part No.	Ver	Description	Qty.	Un S/N from	S/N to	Page
1	230610812	-	Fixing parts	2	UN		
2	230610813	-	Fixing parts	2	UN		
3	230611012	-	Washer	16	UN		
4	230610388	-	Socket head screw	8	UN		
5	230610387	-	Socket head screw	4	UN		
6	230610468	-	Socket head screw	4	UN		



Lifting device 230612378

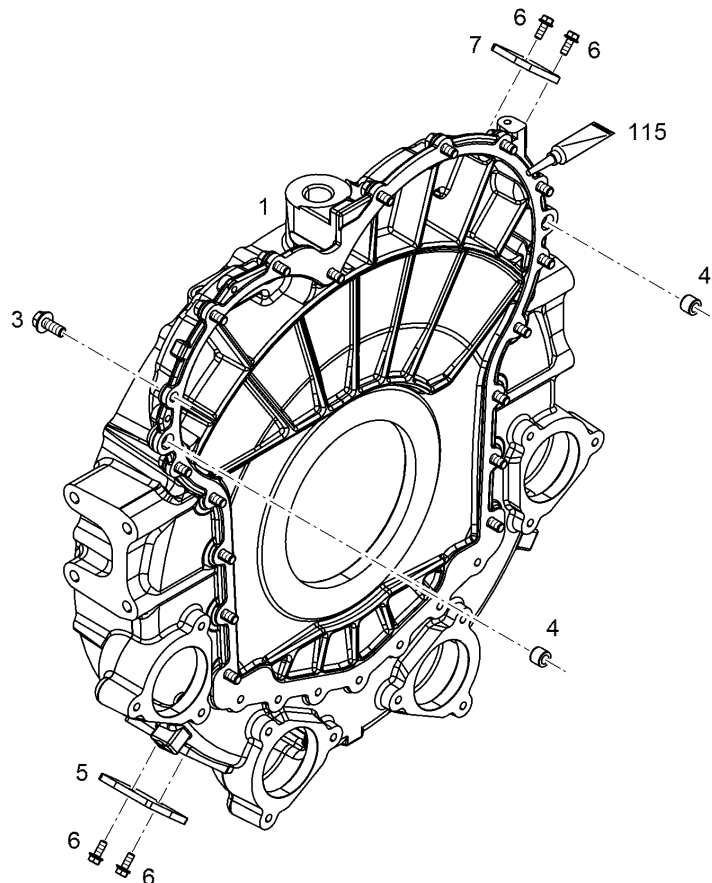
Po s.	Part No.	Ver	Description	Qty.	Un S/N from	S/N to	Page
1	230610935	-	Ring bolt	2	UN		
2	230610810	-	Spacer piece	2	UN		
3	230610954	-	Double-ended stud	2	UN		
105	230611017	-	Screw locking	1	UN		



Flywheel housing mounting

230610764

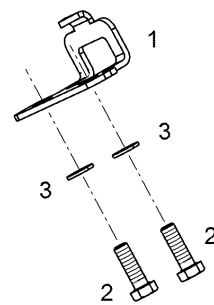
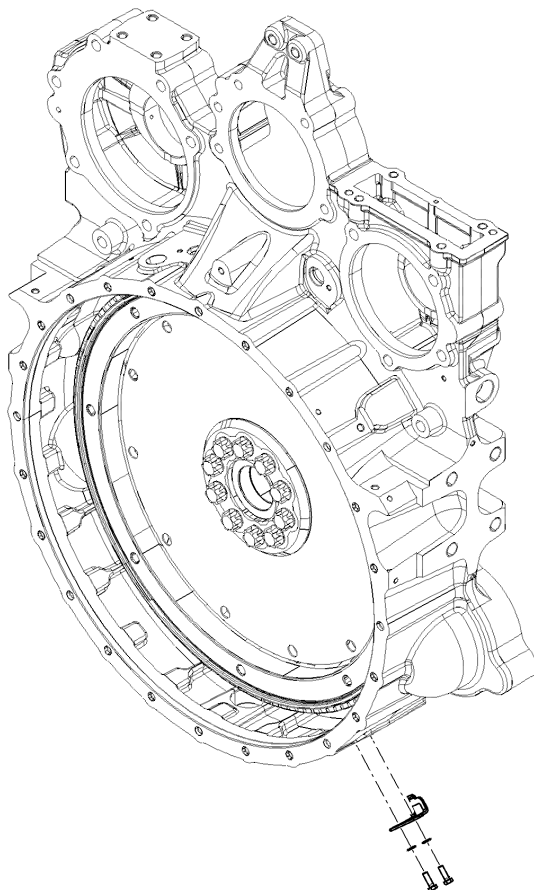
Po s.	Part No.	Ver	Description	Qty.	Un S/N from	S/N to	Page
1	230610898	-	Flywheel housing	1	UN		
3	230610942	-	Hex screw	18	UN		
4	230610510	-	Tight fit sleeve	2	UN		
5	230610440	-	Cover	1	UN		
6	230611470	-	Hex screw	4	UN		
7	230610908	-	Cover	1	UN		
131	230611964	-	Sealant paste	1	UN		



Control plate assembly

230610434

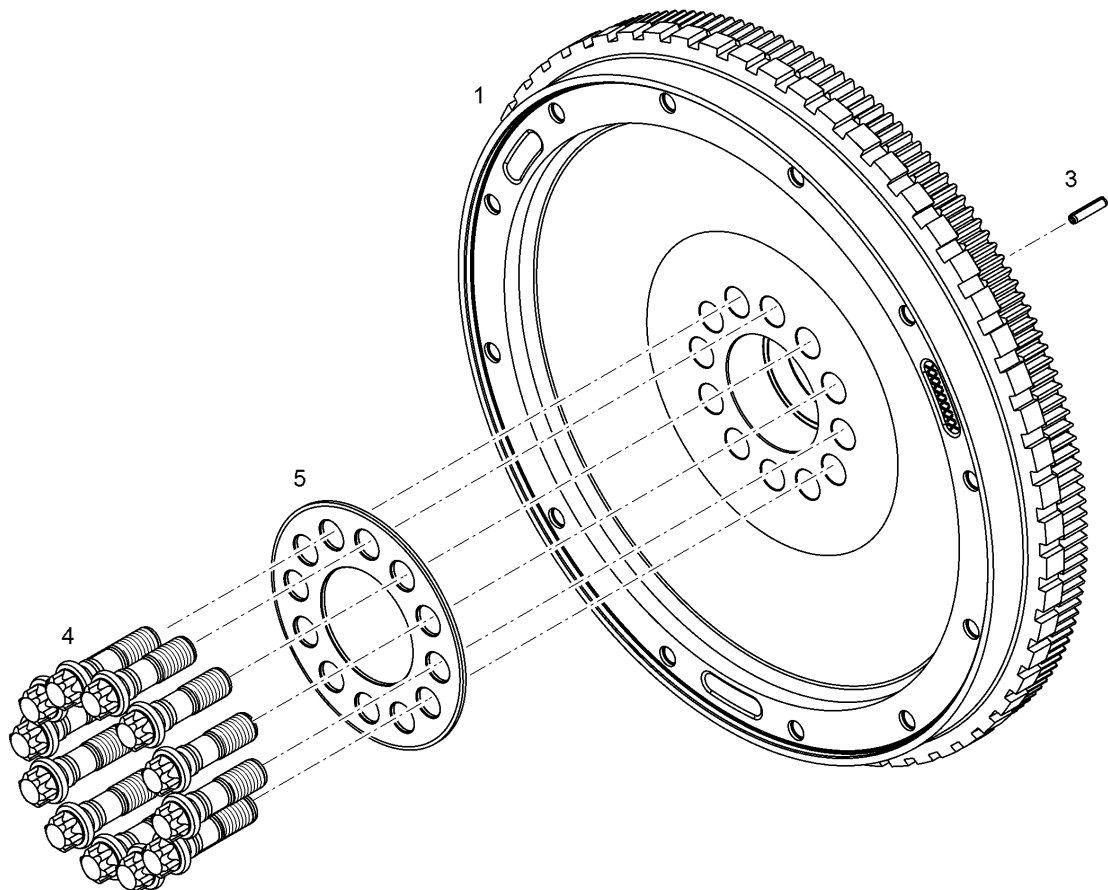
Po s.	Part No.	Ver	Description	Qty.	Un	S/N from	S/N to	Page
1	230610517	-	Ajdusting plate	1	UN			
2	230611010	-	Hex screw	2	UN			
3	230610395	-	Washer	2	UN			



Flywheel assembly

230612297

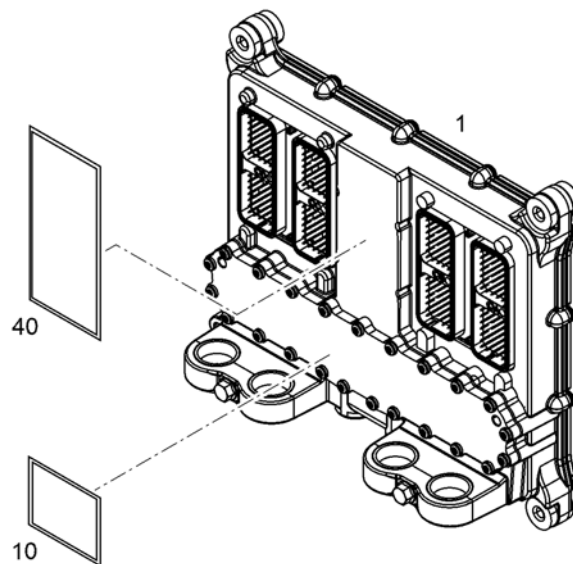
Po s.	Part No.	Ver	Description	Qty.	Un S/N from	S/N to	Page
1	230612298	-	Flywheel pre-ass.	1	UN		
3	230610462	-	Spiral dowel pin	1	UN		
4	230610349	-	Hexalobular head screw	12	UN		
5	230612245	-	Compression ring	1	UN		



Motor control device

230612386

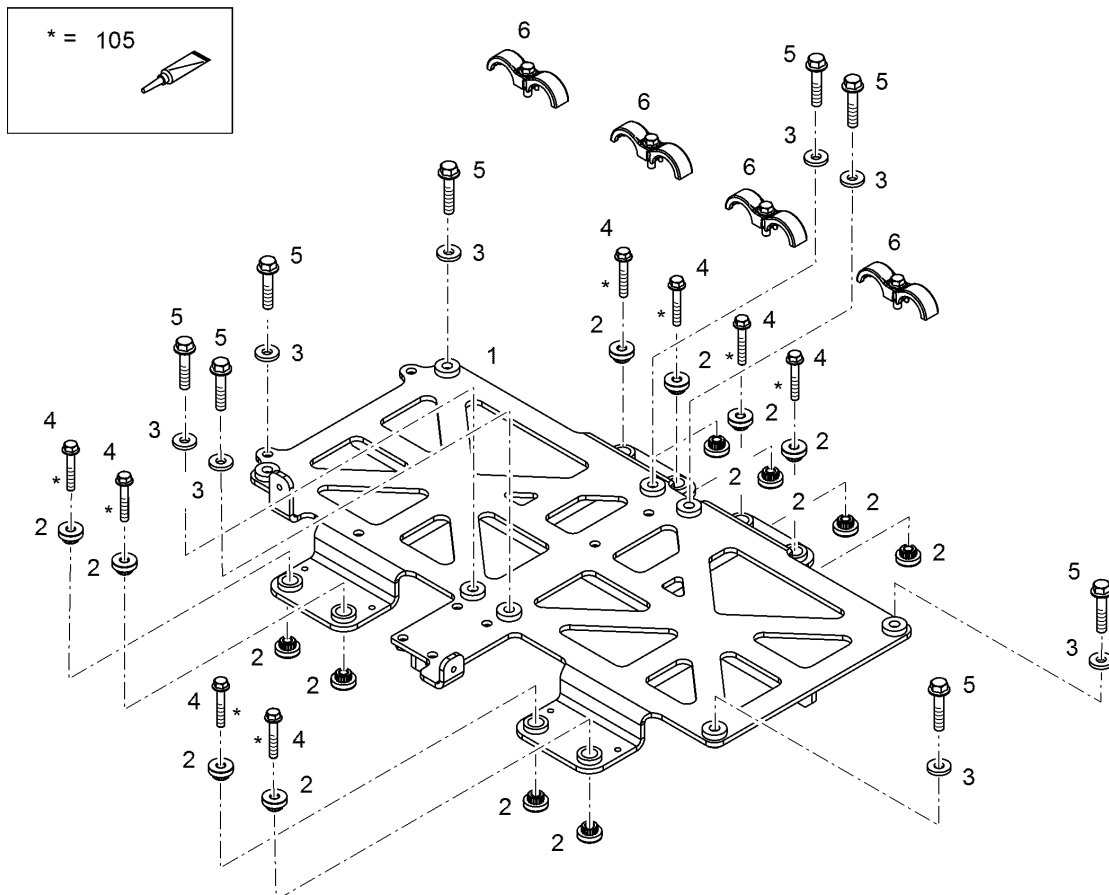
Po s.	Part No.	Ver	Description	Qty.	Un S/N from	S/N to	Page
1	230610256	-	Motor control device	1	UN		
10	230611942	-	Company name plate	1	UN		
40	230611644	-	Company name plate	1	UN		



Control box annexe

230612252

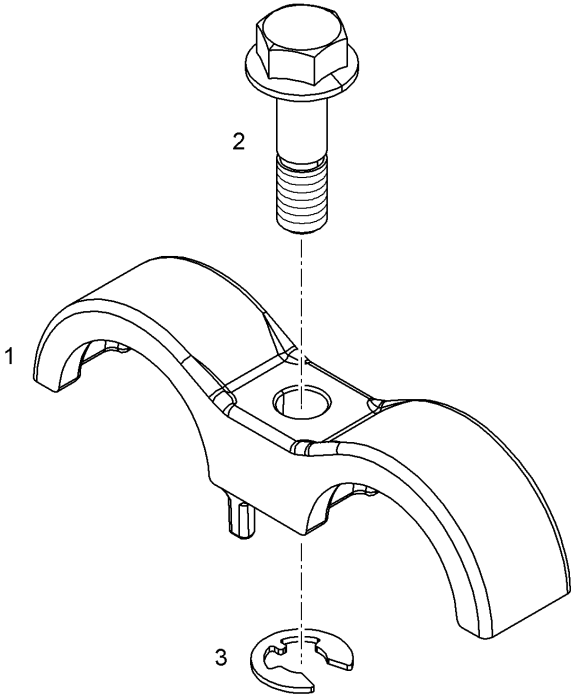
Po s.	Part No.	Ver	Description	Qty.	Un S/N from	S/N to	Page
1	230612247	-	Console	1	UN		
2	230610269	-	Rubber buffer	16	UN		
3	230612451	-	Washer	8	UN		
4	230612323	-	Hex screw	8	UN		
5	230612315	-	Hex screw	8	UN		
6	230610072	-	Fastening clamp	4	UN		104
105	230611017	-	Screw locking	1	UN		



Fastening clamp

230610072

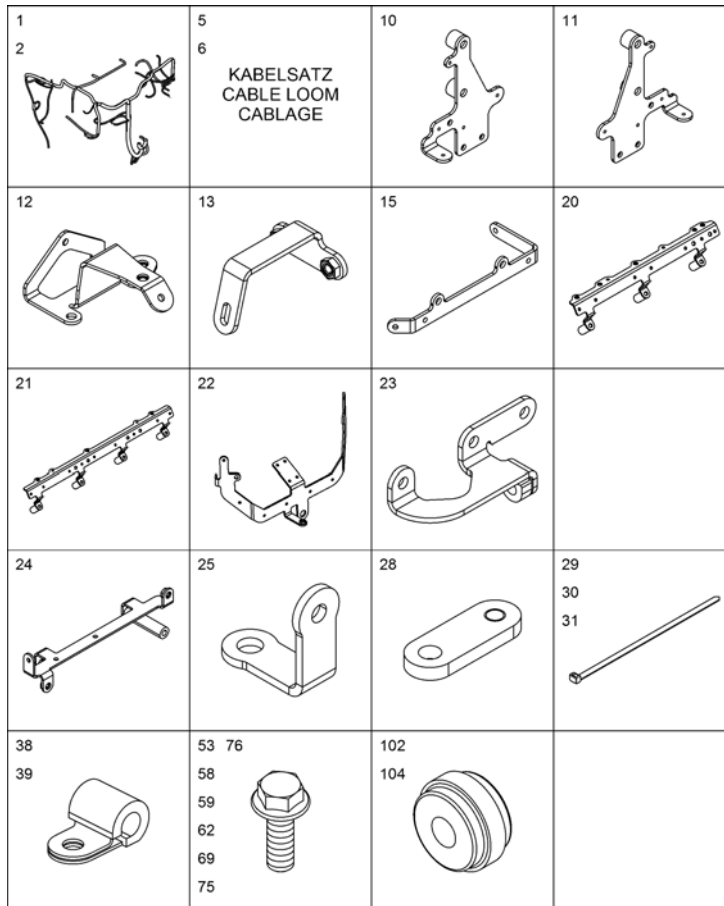
Po s.	Part No.	Ver	Description	Qty.	Un S/N from	S/N to	Page
1	230610511	-	Fastening clamp	1	UN		
2	230610544	-	Screw	1	UN		
3	230610375	-	Washer	1	UN		



Cable harness mounting

230612237

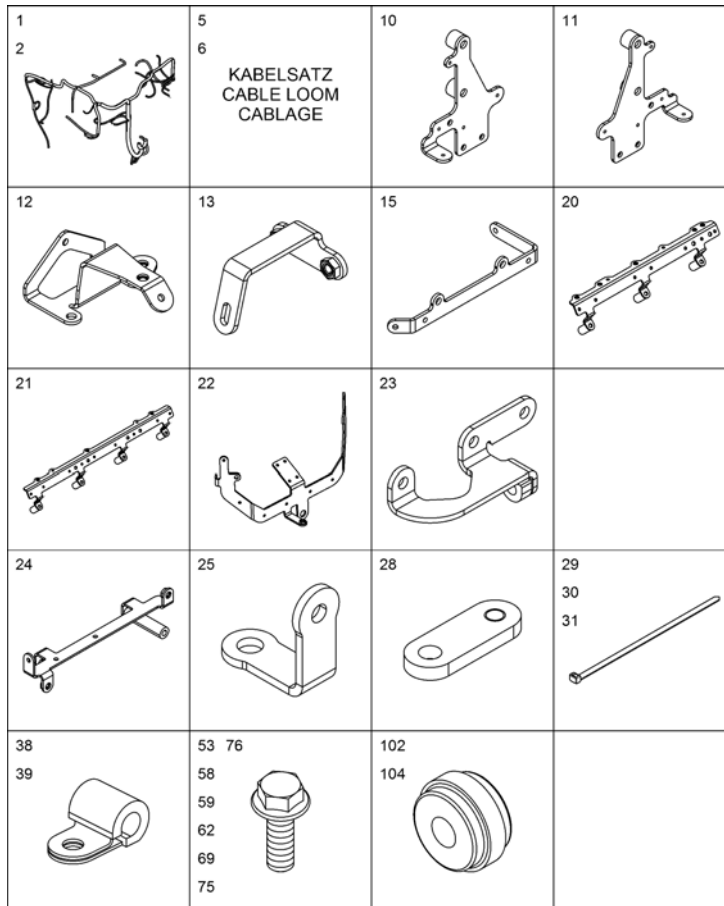
Po s.	Part No.	Ver	Description	Qty.	Un S/N from	S/N to	Page
1	230612235	-	Cable harness	1	UN		
2	230612236	-	Cable harness	1	UN		
5	230611985	-	Wiring harness	1	UN		
6	230611986	-	Wiring harness	1	UN		
10	230612350	-	Holder	1	UN		
11	230610830	-	Holder	1	UN		
12	230610833	-	Holder	1	UN		
13	230612351	-	Holder	3	UN		
15	230610840	-	Holder	1	UN		
20	230612352	-	Holder	2	UN		
21	230612353	-	Holder	2	UN		
22	230612354	-	Holder	1	UN		
23	230612355	-	Holder	2	UN		
24	230612356	-	Holder	1	UN		
25	230612357	-	Holder	1	UN		
28	230612358	-	Holder	2	UN		



Cable harness mounting

230612237

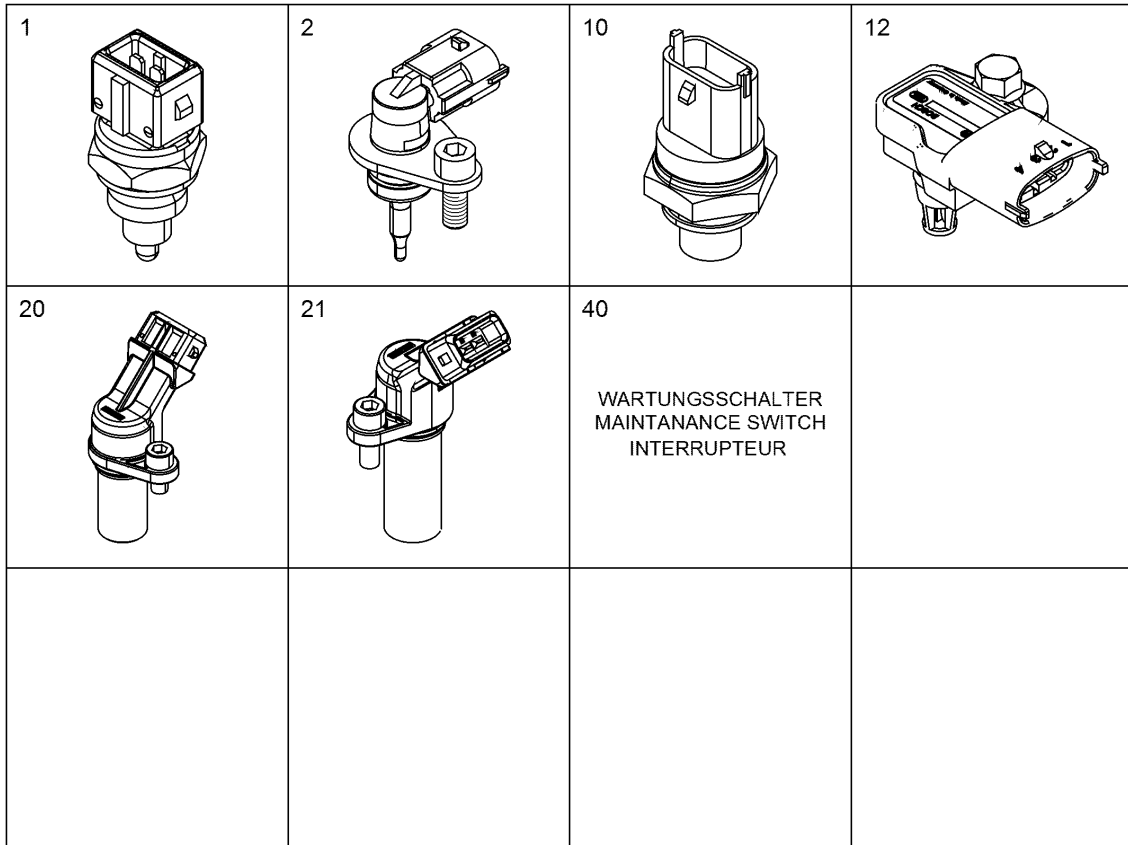
Po s.	Part No.	Ver	Description	Qty.	Un S/N from	S/N to	Page
29	230611015	-	Cable tie	2	UN		
30	230610938	-	Cable tie	6	UN		
31	230610939	-	Cable tie	82	UN		
38	230610087	-	Clamp	3	UN		
39	230610424	-	Clamp	3	UN		
53	230612338	-	Hex screw	2	UN		
58	230612333	-	Hex screw	6	UN		
59	230612325	-	Hex screw	14	UN		
62	230612323	-	Hex screw	15	UN		
69	230612339	-	Hex screw	4	UN		
75	230612332	-	Hex screw	1	UN		
76	230612340	-	Hex screw	1	UN		
102	230610534	-	Rubber ring	1	UN		
104	230611091	-	Ring	3	UN		



Engine control sensors

230612282

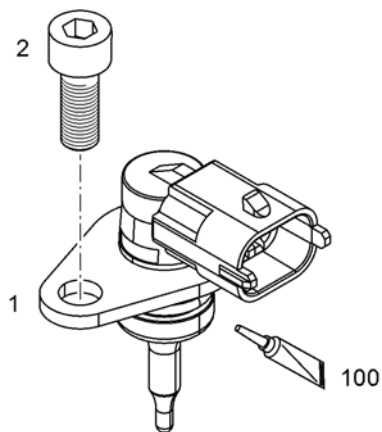
Po s.	Part No.	Ver	Description	Qty.	Un	S/N from	S/N to	Page
1	230610270	-	Temperature sensor	3	UN			
2	230610272	-	Temperature probe cpl.	1	UN			108
10	230610075	-	Pressure transmitter cpl.	2	UN			109
12	230610077	-	Temperature sensor cpl.	1	UN			110
20	230610078	-	Rotational speed sensor cpl.	1	UN			111
21	230610081	-	Rotational speed sensor cpl.	1	UN			112
40	230610184	-	Maintenance switch	4	UN			



Temperature probe cpl.

230610272

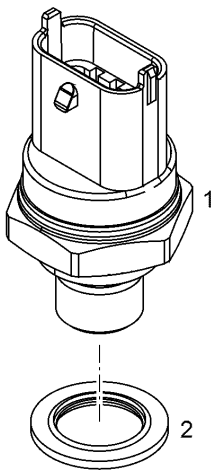
Po s.	Part No.	Ver	Description	Qty.	Un	S/N from	S/N to	Page
1	230610271	-	Temperature sensor	1	UN			
2	230612440	-	Socket head screw	1	UN			
100	230610702	-	Grease	1	UN			7



Pressure transmitter cpl.

230610075

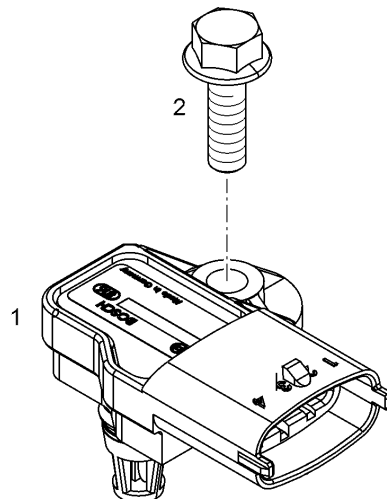
Po s.	Part No.	Ver	Description	Qty.	Un S/N from	S/N to	Page
1	230611019	-	Pressure transmitter	1	UN		
2	230610056	-	Sealing ring	1	UN		



Temperature sensor cpl.

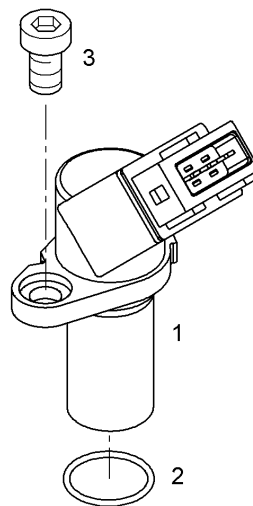
230610077

Po s.	Part No.	Ver	Description	Qty.	Un S/N from	S/N to	Page
1	230610076	-	Temperature sensor	1	UN		
2	230610315	-	Hex screw	1	UN		
100	230610702	-	Grease	1	UN		7



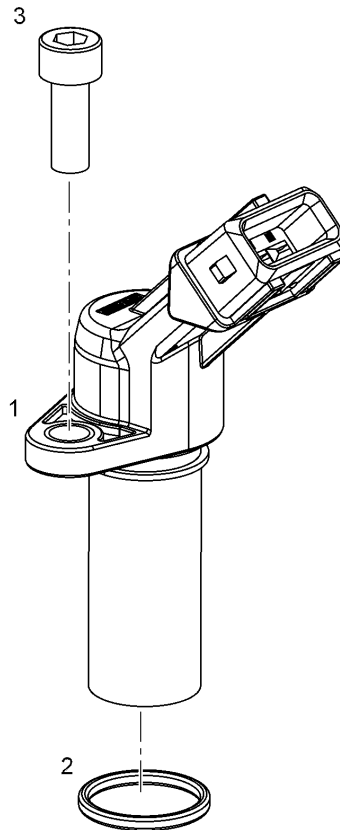
Rotational speed sensor cpl. 230610078

Po S.	Part No.	Ver	Description	Qty.	Un S/N from	S/N to	Page
1	230610079	-	Rotational speed sensor	1	UN		
2	230610198	-	O-ring	1	UN		
3	230612440	-	Socket head screw	1	UN		
100	230610702	-	Grease	1	UN		7



Rotational speed sensor cpl. 230610081

Po S.	Part No.	Ver	Description	Qty.	Un S/N from	S/N to	Page
1	230610080	-	Rotational speed sensor	1	UN		
2	230610198	-	O-ring	1	UN		
3	230612440	-	Socket head screw	1	UN		
100	230610702	-	Grease	1	UN		7



Engine electrics

230612283

Pos.	Part No.	Ver	Description	Qty.	Un S/N from	S/N to	Page
90	230612281	-	Electrical circuit diagram	1	UN		

Our apologies:
No illustration is currently
available.

Ordering PN

Part number	Ver	Description	Ordering PN
230510001	-	Oil filter	
230510004	-	Fuel filter	230510004
230610005	-	Regulating valve	230610005
230610050	-	Locking ring	230610050
230610051	-	Sealing ring	230610051
230610052	-	Sealing ring	230610052
230610053	-	Sealing ring	230610053
230610054	-	Sealing ring	230610054
230610055	-	Sealing ring	230610055
230610056	-	Sealing ring	230610056
230610057	-	Sealing ring	230610057
230610058	-	Sealing ring	230610058
230610059	-	Sealing ring	230610059
230610060	-	Connecting rod assembly	230610060
230610063	-	Screw plug	230610063
230610064	-	Screw plug	230610064
230610065	-	Screw plug	230610065
230610066	-	Screw plug	230610066
230610067	-	Screw plug	230610067
230610070	-	Screw plug	230610070
230610071	-	Screw plug	230610071
230610072	-	Fastening clamp	230610072
230610073	-	Cylinder head cover assembly	230610073
230610075	-	Pressure transmitter cpl.	230610075
230610076	-	Temperature sensor	230610076
230610077	-	Temperature sensor cpl.	230610077
230610078	-	Rotational speed sensor cpl.	230610078
230610079	-	Rotational speed sensor	230610079

Ordering PN

Part number	Ver	Description	Ordering PN
230610080	-	Rotational speed sensor	230610080
230610081	-	Rotational speed sensor cpl.	230610081
230610082	-	Cycle valve	230610082
230610083	-	Hose clamp	230610083
230610084	-	Clamp	230610084
230610085	-	Hose clamp	230610085
230610087	-	Clamp	230610087
230610096	-	Clamp	230610096
230610099	-	Hose clamp	230610099
230610100	-	Retainer clip	230610100
230610151	-	Cover	230610151
230610152	-	End cover	230610152
230610153	-	Cylinder head assembly	230610153
230610155	-	Cylinder	230610155
230610160	-	Rocker arms device cpl.	230610160
230610162	-	Hex nut	230610162
230610163	-	Nut	230610163
230610180	-	Double-ended stud	230610180
230610181	-	Parallel pin	230610181
230610182	-	Jaw	230610182
230610183	-	Rk injector	230610183
230610184	-	Maintenance switch	230610184
230610186	-	Seal	230610186
230610189	-	Seal	230610189
230610190	-	Cylinder head gasket	230610190
230610191	-	Seal	230610191
230610196	-	Rotary shaft lip seal	230610196
230610198	-	O-ring	230610198

Ordering PN

Part number	Ver	Description	Ordering PN
230610199	-	O-ring	230610199
230610200	-	O-ring	230610200
230610202	-	O-ring	230610202
230610203	-	O-ring	230610203
230610208	-	O-ring	230610208
230610209	-	O-ring	230610209
230610212	-	Rubber connection	230610212
230610213	-	Rubber connection	230610213
230610214	-	Rubber connection	230610214
230610217	-	Rubber connection	230610217
230610221	-	Locking pieces	230610221
230610222	-	Intermediate part	230610222
230610224	-	Piston cpl.	230610224
230610227	-	Seal kit high press.connector	230610227
230610228	-	Seal kit injector	230610228
230610239	-	Roller tappet	230610239
230610242	-	Flange joint	230610242
230610243	-	Flange joint	230610243
230610245	-	Flange joint	230610245
230610246	-	Flange joint	230610246
230610250	-	Fittings	230610250
230610251	-	High pressure connector	230610251
230610252	-	Double nipple	230610252
230610253	-	Hose nipple	230610253
230610256	-	Motor control device	230610256
230610257	-	Oil filler inlet	230610257
230610263	-	Washer	230610263
230610266	-	Dsf ring	230610266

Ordering PN

Part number	Ver	Description	Ordering PN
230610267	-	Piston ring mg	230610267
230610268	-	Kb-ring	230610268
230610269	-	Rubber buffer	230610269
230610270	-	Temperature sensor	230610270
230610271	-	Temperature sensor	230610271
230610272	-	Temperature probe cpl.	230610272
230610274	-	Shut-off valve	230610274
230610277	-	Support plate	230610277
230610278	-	Support plate	230610278
230610286	-	Thermostat	230610286
230610287	-	Tappet push rod	230610287
230610312	-	Hex screw	230610312
230610315	-	Hex screw	230610315
230610317	-	Socket head screw	230610317
230610318	-	Hex screw	230610318
230610319	-	Hex screw	230610319
230610320	-	Hex screw	230610320
230610322	-	Hex screw	230610322
230610323	-	Hex screw	230610323
230610324	-	Hex screw	230610324
230610326	-	Hex screw	230610326
230610329	-	Hex screw	230610329
230610332	-	Hex screw	230610332
230610333	-	Hex screw	230610333
230610336	-	Hex screw	230610336
230610340	-	Hex screw	230610340
230610342	-	Hex screw	230610342
230610349	-	Hexalobular head screw	230610349

Ordering PN

Part number	Ver	Description	Ordering PN
230610350	-	Hexalobular head screw	230610350
230610352	-	Hollow screw	230610352
230610354	-	Hollow screw	230610354
230610357	-	Hollow screw	230610357
230610358	-	Hollow screw	230610358
230610363	-	Cylinder screw	230610363
230610366	-	Pipe clamp	230610366
230610370	-	Hex screw	230610370
230610375	-	Washer	230610375
230610376	-	Screw plug	230610376
230610382	-	Locking ring	230610382
230610385	-	Hose clamp	230610385
230610386	-	Hex screw	230610386
230610387	-	Socket head screw	230610387
230610388	-	Socket head screw	230610388
230610389	-	Hose clamp	230610389
230610391	-	Parallel pin	230610391
230610393	-	Sealing ring	230610393
230610395	-	Washer	230610395
230610397	-	End cover	230610397
230610398	-	End cover	230610398
230610399	-	Hollow screw	230610399
230610400	-	Socket head screw	230610400
230610401	-	Parallel pin	230610401
230610406	-	Parallel pin	230610406
230610407	-	O-ring	230610407
230610408	-	O-ring	230610408
230610409	-	Sealing ring	230610409

Ordering PN

Part number	Ver	Description	Ordering PN
230610410	-	Clamp	230610410
230610412	-	O-ring	230610412
230610413	-	O-ring	230610413
230610415	-	Screw plug	230610415
230610416	-	O-ring	230610416
230610417	-	O-ring	230610417
230610418	-	Pipe clamp	230610418
230610420	-	O-ring	230610420
230610421	-	Fittings	230610421
230610422	-	Clamp	230610422
230610424	-	Clamp	230610424
230610425	-	Clamp	230610425
230610426	-	Clamp	230610426
230610428	-	Nozzle	230610428
230610431	-	Glue	230610431
230610432	-	Distance sleeve	230610432
230610434	-	Control plate assembly	230610434
230610435	-	Spring support	230610435
230610436	-	Cover	230610436
230610437	-	Hose nipple	230610437
230610440	-	Cover	230610440
230610441	-	O-ring	230610441
230610442	-	Fittings	230610442
230610443	-	Distance sleeve	230610443
230610444	-	Cover	230610444
230610445	-	Seal	230610445
230610446	-	Tight fit sleeve	230610446
230610447	-	Seal	230610447

Ordering PN

Part number	Ver	Description	Ordering PN
230610448	-	Seal	230610448
230610449	-	Rubber connection	230610449
230610453	-	Rubber connection	230610453
230610455	-	Rubber connection	230610455
230610456	-	Copper paste	230610456
230610459	-	Hex screw	230610459
230610462	-	Spiral dowel pin	230610462
230610463	-	Valve spring	230610463
230610464	-	Hex screw	230610464
230610468	-	Socket head screw	230610468
230610469	-	Hex screw	230610469
230610470	-	Sealing plug	230610470
230610477	-	Sealing plug	230610477
230610478	-	End cover	230610478
230610479	-	Spherical washer	230610479
230610482	-	Hex screw	230610482
230610484	-	Screw plug	230610484
230610486	-	Hex screw	230610486
230610488	-	Threaded insert	230610488
230610489	-	Hex screw	230610489
230610491	-	Pipe clamp	230610491
230610493	-	Support plate	230610493
230610496	-	Hexalobular head screw	230610496
230610500	-	Non-return valve	230610500
230610501	-	Ventilation line	230610501
230610504	-	Valve stem seal ring	230610504
230610505	-	Starter installation	230610505
230610506	-	Starter pre-assy.	230610506

Ordering PN

Part number	Ver	Description	Ordering PN
230610507	-	Starter	230610507
230610509	-	Connection piece	230610509
230610510	-	Tight fit sleeve	230610510
230610511	-	Fastening clamp	230610511
230610512	-	Rubber connection	230610512
230610516	-	Seal	230610516
230610517	-	Ajdusting plate	230610517
230610518	-	Rubber connection	230610518
230610522	-	O-ring	230610522
230610523	-	O-ring	230610523
230610526	-	O-ring	230610526
230610527	-	Camshaft bearing	230610527
230610528	-	Overflow-oil line	230610528
230610531	-	Rubber connection	230610531
230610534	-	Rubber ring	230610534
230610535	-	Distance sleeve	230610535
230610538	-	Holder	230610538
230610539	-	Distance sleeve	230610539
230610541	-	Retainer clip	230610541
230610544	-	Screw	230610544
230610545	-	Sheet gasket	230610545
230610546	-	Guiding pipe	230610546
230610552	-	Outlet valve	230610552
230610553	-	Washer	230610553
230610554	-	Exhaust valve seat insert	230610554
230610556	-	Cylinder head cover assembly	230610556
230610557	-	Connecting rod pre-assy.	230610557
230610558	-	Connecting rod bearing	230610558

Ordering PN

Part number	Ver	Description	Ordering PN
230610559	-	Connecting rod bearing	230610559
230610560	-	Main bearing	230610560
230610561	-	Main bearing	230610561
230610564	-	Main bearing	230610564
230610565	-	Main bearing	230610565
230610567	-	Bearing flange	230610567
230610568	-	Shaft	230610568
230610569	-	Flange	230610569
230610570	-	Piston cooling	230610570
230610574	-	Locking pieces	230610574
230610581	-	Hexagon head screw	230610581
230610582	-	Hexagon head screw	230610582
230610583	-	Thrust washer	230610583
230610584	-	Thrust washer	230610584
230610585	-	Crankshaft sealing	230610585
230610588	-	Piston bolt	230610588
230610589	-	Cylinder head cover assembly	230610589
230610591	-	Bearing	230610591
230610593	-	Valve stem guide	230610593
230610594	-	Locking screw	230610594
230610597	-	Lamellar disk kit	230610597
230610598	-	Compensator	230610598
230610601	-	Charge air line assembly	230610601
230610602	-	Plate	230610602
230610604	-	Distributor block	230610604
230610605	-	Fuel line	230610605
230610606	-	Fuel line	230610606
230610607	-	Fuel line	230610607

Ordering PN

Part number	Ver	Description	Ordering PN
230610608	-	Fuel line	230610608
230610610	-	Heat protection sheet	230610610
230610614	-	Distributor block	230610614
230610615	-	Overflow-oil line	230610615
230610618	-	Overflow-oil line	230610618
230610623	-	Oil line	230610623
230610624	-	Tube	230610624
230610630	-	Console	230610630
230610631	-	Tube	230610631
230610633	-	Pressure spring	230610633
230610634	-	Piston	230610634
230610635	-	Housing pre-assembled	230610635
230610636	-	Flange	230610636
230610637	-	Tube	230610637
230610638	-	Cover	230610638
230610639	-	Main bearing cap	230610639
230610640	-	Main bearing cap	230610640
230610647	-	Sleeve	230610647
230610650	-	Fastening device	230610650
230610654	-	Hex nut	230610654
230610655	-	Adjusting screw	230610655
230610656	-	Washer	230610656
230610657	-	Pressure limiting valve	230610657
230610660	-	Rocker arm bracket pre-ass.	230610660
230610671	-	Injector assy	230610671
230610672	-	Seal	230610672
230610678	-	Washer	230610678
230610683	-	Filler neck	230610683

Ordering PN

Part number	Ver	Description	Ordering PN
230610686	-	Power unit support attachment	230610686
230610688	-	Gearwheel pre-ass.	230610688
230610692	-	Gear wheel	230610692
230610693	-	Gear wheel	230610693
230610697	-	Valve bridge	230610697
230610701	-	O-ring	230610701
230610702	-	Grease	230610702
230610704	-	Hex screw	230610704
230610708	-	Socket head screw	230610708
230610709	-	O-ring	230610709
230610710	-	Surface sealing	230610710
230610711	-	Plug-in pipe	230610711
230610717	-	Hex screw	230610717
230610718	-	Clamp	230610718
230610720	-	Screw plug	230610720
230610721	-	Flange joint	230610721
230610729	-	O-ring	230610729
230610746	-	Seal	230610746
230610754	-	Oil cooler	230610754
230610756	-	Thermostat housing assembly	230610756
230610759	-	Rocker arm support	230610759
230610760	-	Nozzle pre-ass.	230610760
230610761	-	Rocker arm	230610761
230610762	-	Rocker arm	230610762
230610763	-	Rocker axle pre-ass.	230610763
230610764	-	Flywheel housing mounting	230610764
230610769	-	Final control valve	230610769
230610777	-	Valve collet	230610777

Ordering PN

Part number	Ver	Description	Ordering PN
230610779	-	Seal	230610779
230610785	-	Suction pipe	230610785
230610786	-	Suction pipe	230610786
230610799	-	Plate	230610799
230610800	-	Fuel line	230610800
230610805	-	Overflow-oil line	230610805
230610808	-	Cylinder head cover assembly	230610808
230610809	-	Cylinder head cover assembly	230610809
230610810	-	Spacer piece	230610810
230610811	-	Fastening pieces assembly	230610811
230610812	-	Fixing parts	230610812
230610813	-	Fixing parts	230610813
230610814	-	Generator add-on	230610814
230610815	-	Belt drive	230610815
230610830	-	Holder	230610830
230610833	-	Holder	230610833
230610840	-	Holder	230610840
230610841	-	Fan drive assembly	230610841
230610846	-	Timing disk	230610846
230610847	-	Piston	230610847
230610848	-	Inlet valve	230610848
230610851	-	Intake stack	230610851
230610860	-	Steep-angle bearing	230610860
230610861	-	Starter installation	230610861
230610862	-	Belt pulley	230610862
230610877	-	Cylinder liner	230610877
230610879	-	Tube	230610879
230610890	-	Inlet valve seat insert	230610890

Ordering PN

Part number	Ver	Description	Ordering PN
230610895	-	Cylinder head	230610895
230610896	-	Connecting elbow	230610896
230610898	-	Flywheel housing	230610898
230610903	-	Connection f.water pipe	230610903
230610904	-	Housing	230610904
230610905	-	Housing pre-assembled	230610905
230610908	-	Cover	230610908
230610911	-	Intermediate part	230610911
230610917	-	Generator, pre-assembled	230610917
230610918	-	Cylinder head	230610918
230610919	-	Cylinder head pre-assy.	230610919
230610927	-	Hose	230610927
230610930	-	Flange joint	230610930
230610931	-	Flange joint	230610931
230610932	-	Flange joint	230610932
230610933	-	Flange joint	230610933
230610934	-	Hex screw	230610934
230610935	-	Ring bolt	230610935
230610936	-	Countersunk screw	230610936
230610937	-	Flange joint	230610937
230610938	-	Cable tie	230610938
230610939	-	Cable tie	230610939
230610940	-	Hollow screw	230610940
230610942	-	Hex screw	230610942
230610943	-	Hex screw	230610943
230610944	-	Hex screw	230610944
230610946	-	Hex screw	230610946
230610947	-	Parallel pin	230610947

Ordering PN

Part number	Ver	Description	Ordering PN
230610949	-	Hex screw	230610949
230610950	-	Hex screw	230610950
230610951	-	Double-ended stud	230610951
230610953	-	Hex screw	230610953
230610954	-	Double-ended stud	230610954
230610959	-	Charge air pipe	230610959
230610960	-	Charge air pipe	230610960
230610961	-	Plate	230610961
230610962	-	Oil cooler housing	230610962
230610963	-	Oil cooler housing	230610963
230610971	-	Spacer piece	230610971
230610972	-	Tightening roller	230610972
230610973	-	Holder	230610973
230610974	-	Holder	230610974
230610975	-	Guide pulley compl.	230610975
230610976	-	Coolant pipe bend	230610976
230610977	-	Coolant pipe bend	230610977
230610980	-	Spacer piece	230610980
230610983	-	Oil cooler housing	230610983
230610984	-	Oil cooler housing	230610984
230610985	-	Hose nipple	230610985
230610992	-	Exhaust pipe	230610992
230610993	-	Exhaust pipe	230610993
230610994	-	Exhaust pipe	230610994
230610995	-	Exhaust pipe	230610995
230610998	-	V-belt pulley pre-ass.	230610998
230610999	-	Holder	230610999
230611005	-	Cylinder head cover	230611005

Ordering PN

Part number	Ver	Description	Ordering PN
230611006	-	Cylinder head cover assembly	230611006
230611010	-	Hex screw	230611010
230611012	-	Washer	230611012
230611013	-	Locking ring	230611013
230611015	-	Cable tie	230611015
230611016	-	Sealing compound	230611016
230611017	-	Screw locking	230611017
230611018	-	Glue	230611018
230611088	-	Oil breather filter	230611088
230611091	-	Ring	230611091
230611370	-	Hex screw	230611370
230611456	-	O-ring	230611456
230611470	-	Hex screw	230611470
230611473	-	Hex screw	230611473
230611644	-	Company name plate	230611644
230611648	-	Belt	230611648
230611882	-	Lubricant paste	230611882
230611926	-	Rubber sleeve	230611926
230611936	-	Dipstick	230611936
230611942	-	Company name plate	230611942
230611946	-	Screw	230611946
230611949	-	Washer	230611949
230611951	-	Nut	230611951
230611956	-	Filter head	230611956
230611960	-	Dipstick	230611960
230611961	-	Screw	230611961
230611963	-	Lipseal	230611963
230611964	-	Sealant paste	230611964

Ordering PN

Part number	Ver	Description	Ordering PN
230611966	-	Vibration damper	230611966
230611967	-	Oil module assembly	230611967
230611969	-	Fuel filter	230611969
230611973	-	Bushing	230611973
230611974	-	Axis	230611974
230611975	-	Nut	230611975
230611977	-	Screw	230611977
230611978	-	Thread lock	230611978
230611979	-	Pulley	230611979
230611980	-	Bushing	230611980
230611981	-	Bearing	230611981
230611982	-	Brace	230611982
230611983	-	Snap ring	230611983
230611985	-	Wiring harness	230611985
230611986	-	Wiring harness	230611986
230611987	-	Fuel filter	230611987
230611988	-	Oil module left	230611988
230611989	-	Oil module right	230611989
230611991	-	Vibration damper	230611991
230611992	-	Ring	230611992
230611993	-	Screw	230611993
230612001	-	Belt	230612001
230612228	-	Air intake assembly	230612228
230612229	-	Air intake pipe left	230612229
230612230	-	Air intake pipe left	230612230
230612231	-	Air intake pipe right	230612231
230612232	-	Air intake pipe right	230612232
230612233	-	Blanking plug	230612233

Ordering PN

Part number	Ver	Description	Ordering PN
230612234	-	Blanking plug	230612234
230612235	-	Cable harness	230612235
230612236	-	Cable harness	230612236
230612237	-	Cable harness mounting	230612237
230612238	-	Camshaft	230612238
230612239	-	Camshaft cpl.	230612239
230612240	-	Camshaft pre-ass.	230612240
230612245	-	Compression ring	230612245
230612246	-	Connection piece	230612246
230612247	-	Console	230612247
230612248	-	Console	230612248
230612249	-	Console	230612249
230612250	-	Console	230612250
230612251	-	Console	230612251
230612252	-	Control box annexe	230612252
230612253	-	Control parts	230612253
230612254	-	Cover	230612254
230612255	-	Cover lid	230612255
230612256	-	Cover lid	230612256
230612257	-	Cover lid	230612257
230612258	-	Cover lid	230612258
230612259	-	Cover lid	230612259
230612260	-	Covering caps - kit	230612260
230612261	-	Crankcase	230612261
230612262	-	Crankcase breather assembly	230612262
230612263	-	Crankcase cpl.	230612263
230612264	-	Crankcase pre-assy.	230612264
230612265	-	Crankshaft bearings	230612265

Ordering PN

Part number	Ver	Description	Ordering PN
230612266	-	Crankshaft cpl.	230612266
230612267	-	Crankshaft with gear	230612267
230612268	-	Cylinder head cover	230612268
230612269	-	Cylinder head cover	230612269
230612270	-	Distance sleeve	230612270
230612271	-	Distance sleeve	230612271
230612272	-	Distributor block	230612272
230612273	-	Distributor block	230612273
230612274	-	Double banjo bolt	230612274
230612275	-	Double banjo bolt	230612275
230612277	-	Double banjo bolt	230612277
230612278	-	Double-ended stud	230612278
230612279	-	Drive for high pressure pump	230612279
230612280	-	Drive shaft	230612280
230612281	-	Electrical circuit diagram	230612281
230612282	-	Engine control sensors	230612282
230612283	-	Engine electrics	230612283
230612286	-	Exhaust gas turbocharger	230612286
230612287	-	Exhaust gas turbocharger	230612287
230612288	-	Exhaust nozzle	230612288
230612289	-	Exhaust nozzle	230612289
230612290	-	Exhaust pipe assembly	230612290
230612293	-	Exhaust tc mounting	230612293
230612294	-	Exhaust tc mounting	230612294
230612295	-	Fitting	230612295
230612296	-	Flange	230612296
230612297	-	Flywheel assembly	230612297
230612298	-	Flywheel pre-ass.	230612298

Ordering PN

Part number	Ver	Description	Ordering PN
230612299	-	Fuel line	230612299
230612300	-	Fuel line	230612300
230612301	-	Fuel line	230612301
230612302	-	Fuel line	230612302
230612303	-	Fuel line	230612303
230612304	-	Fuel line	230612304
230612305	-	Fuel line	230612305
230612306	-	Fuel lines	230612306
230612307	-	Fuel return pipe	230612307
230612308	-	Gear wheel	230612308
230612309	-	Gear wheel	230612309
230612310	-	Grease	230612310
230612311	-	Hex nut	230612311
230612312	-	Hex nut	230612312
230612315	-	Hex screw	230612315
230612316	-	Hex screw	230612316
230612317	-	Hex screw	230612317
230612318	-	Hex screw	230612318
230612319	-	Hex screw	230612319
230612320	-	Hex screw	230612320
230612321	-	Hex screw	230612321
230612322	-	Hex screw	230612322
230612323	-	Hex screw	230612323
230612324	-	Hex screw	230612324
230612325	-	Hex screw	230612325
230612326	-	Hex screw	230612326
230612327	-	Hex screw	230612327
230612328	-	Hex screw	230612328

Ordering PN

Part number	Ver	Description	Ordering PN
230612329	-	Hex screw	230612329
230612330	-	Hex screw	230612330
230612331	-	Hex screw	230612331
230612332	-	Hex screw	230612332
230612333	-	Hex screw	230612333
230612334	-	Hex screw	230612334
230612335	-	Hex screw	230612335
230612336	-	Hex screw	230612336
230612337	-	Hex screw	230612337
230612338	-	Hex screw	230612338
230612339	-	Hex screw	230612339
230612340	-	Hex screw	230612340
230612341	-	Hexalobular head screw	230612341
230612342	-	High pressure pump	230612342
230612343	-	High pressure pump	230612343
230612344	-	High pressure pump w.fastening	230612344
230612345	-	Hight pressure rail	230612345
230612346	-	Hight pressure rail	230612346
230612347	-	Holder	230612347
230612348	-	Holder	230612348
230612349	-	Holder	230612349
230612350	-	Holder	230612350
230612351	-	Holder	230612351
230612352	-	Holder	230612352
230612353	-	Holder	230612353
230612354	-	Holder	230612354
230612355	-	Holder	230612355
230612356	-	Holder	230612356

Ordering PN

Part number	Ver	Description	Ordering PN
230612357	-	Holder	230612357
230612358	-	Holder	230612358
230612359	-	Hollow screw	230612359
230612360	-	Hollow screw	230612360
230612361	-	Hollow screw	230612361
230612362	-	Hollow screw	230612362
230612363	-	Hollow screw	230612363
230612365	-	Housing pre-assembled	230612365
230612366	-	Injection line	230612366
230612367	-	Injection line	230612367
230612368	-	Injection line	230612368
230612369	-	Injection line	230612369
230612370	-	Injection line	230612370
230612371	-	Injection line	230612371
230612372	-	Injection lines	230612372
230612373	-	Injector with fastening	230612373
230612376	-	Intake stack assembly	230612376
230612377	-	Leak oil line add-on	230612377
230612378	-	Lifting device	230612378
230612379	-	Lube oil pump with fastening	230612379
230612380	-	Lubricating oil line	230612380
230612381	-	Lubricating oil line	230612381
230612382	-	Lubricating oil line	230612382
230612383	-	Lubricating oil line	230612383
230612384	-	Lubricating oil pump	230612384
230612386	-	Motor control device	230612386
230612387	-	Mounting requirement	230612387
230612388	-	Mounting requirement	230612388

Ordering PN

Part number	Ver	Description	Ordering PN
230612389	-	Oil line	230612389
230612390	-	Oil return pipe	230612390
230612391	-	Oil return pipe	230612391
230612392	-	Oil return pipe	230612392
230612393	-	Oil return pipe	230612393
230612394	-	Oil return pipe	230612394
230612395	-	Oil return pipe	230612395
230612396	-	Oil return pipe	230612396
230612397	-	Oil return pipe	230612397
230612398	-	Oil separator	230612398
230612399	-	Oil sump	230612399
230612400	-	Oil sump pre-ass.	230612400
230612401	-	Oil sump with fastening	230612401
230612402	-	O-ring	230612402
230612403	-	O-ring	230612403
230612406	-	Outlet manifold	230612406
230612407	-	Outlet manifold	230612407
230612408	-	Outlet manifold add-on	230612408
230612409	-	Overflow-oil line	230612409
230612410	-	Overflow-oil line	230612410
230612411	-	Overflow-oil line	230612411
230612412	-	Overflow-oil line	230612412
230612413	-	Overflow-oil line	230612413
230612414	-	Overflow-oil line	230612414
230612415	-	Pipeline	230612415
230612416	-	Pipeline	230612416
230612417	-	Pipeline	230612417
230612418	-	Pipeline	230612418

Ordering PN

Part number	Ver	Description	Ordering PN
230612419	-	Pipeline	230612419
230612420	-	Pipeline	230612420
230612421	-	Pipeline	230612421
230612422	-	Pipeline	230612422
230612425	-	Pipeline	230612425
230612426	-	Pipeline	230612426
230612427	-	Prefeeding pump	230612427
230612429	-	Regulation boost pressure	230612429
230612431	-	Rk high pressure pump	230612431
230612432	-	Rk pre-feed pump	230612432
230612433	-	Rk volum control valve	230612433
230612435	-	Seal	230612435
230612436	-	Seal kit high pressure pump	230612436
230612437	-	Seal kit prefeeding pump	230612437
230612438	-	Sealing plug	230612438
230612439	-	Sheet	230612439
230612440	-	Socket head screw	230612440
230612441	-	Socket head screw	230612441
230612442	-	Socket head screw	230612442
230612443	-	Socket head screw	230612443
230612445	-	Socket head screw	230612445
230612446	-	Socket head screw	230612446
230612447	-	Support	230612447
230612448	-	Universal protection	230612448
230612449	-	Vent tube assembly	230612449
230612450	-	Volum control valve	230612450
230612451	-	Washer	230612451
230612452	-	Water pump with fastening	230612452

Ordering PN

Part number	Ver	Description	Ordering PN
230612453	-	Water pump, pre-assembled	230612453
230612799	-	Spherical washer	230612799

TP-7054 6/19

© 2019 by Kohler Co. All rights reserved.

KOHLER®

KOHLER CO., Kohler, Wisconsin 53044
Phone 920-457-4441, Fax 920-459-1646
For the nearest sales/service outlet in the
US and Canada, phone 1-800-544-2444
KOHLERPower.com