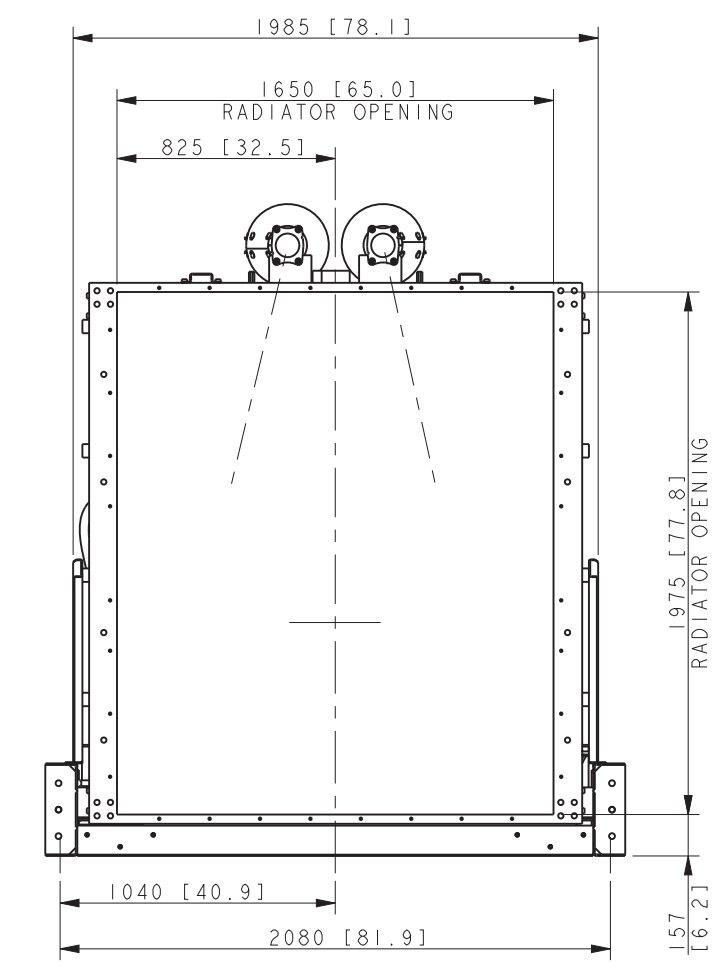


MODEL	ALTERNATOR	GENSET MAX WEIGHT kg [lb]	HORIZONTAL CG mm [in]	VERTICAL CG mm [in]
400RZXD/REZXD	4M4266	5,040 [11,115]	2,220 [87.50]	940 [37.00]
400RZXD/REZXD	5M4024	5,220 [11,510]	2,200 [86.50]	940 [37.00]
400RZXD/REZXD	5M4027	5,260 [11,600]	2,180 [85.75]	940 [37.00]
450/500REZXD	5M4028	5,360 [11,820]	2,160 [85.00]	940 [37.00]
500REZXD	5M4030	5,380 [11,860]	2,160 [85.00]	940 [37.00]
400RZXD	5M4160	5,220 [11,510]	2,200 [86.50]	940 [37.00]
450/500REZXD	5M4270	5,260 [11,600]	2,180 [85.75]	940 [37.00]
500REZXD	5M4272	5,380 [11,860]	2,160 [85.00]	940 [37.00]

WOOD BASE IS AN ADDITIONAL 170 kg [375 lb]

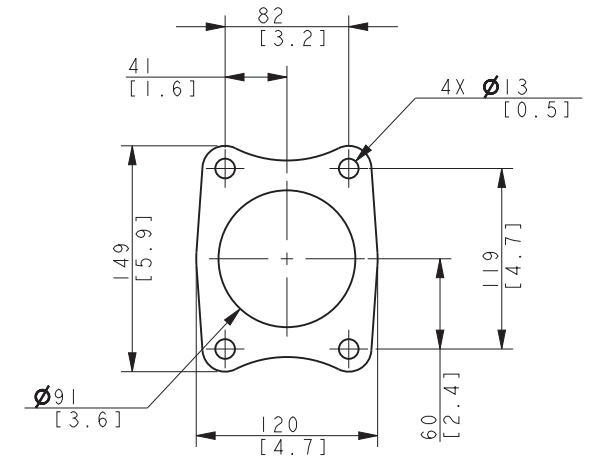
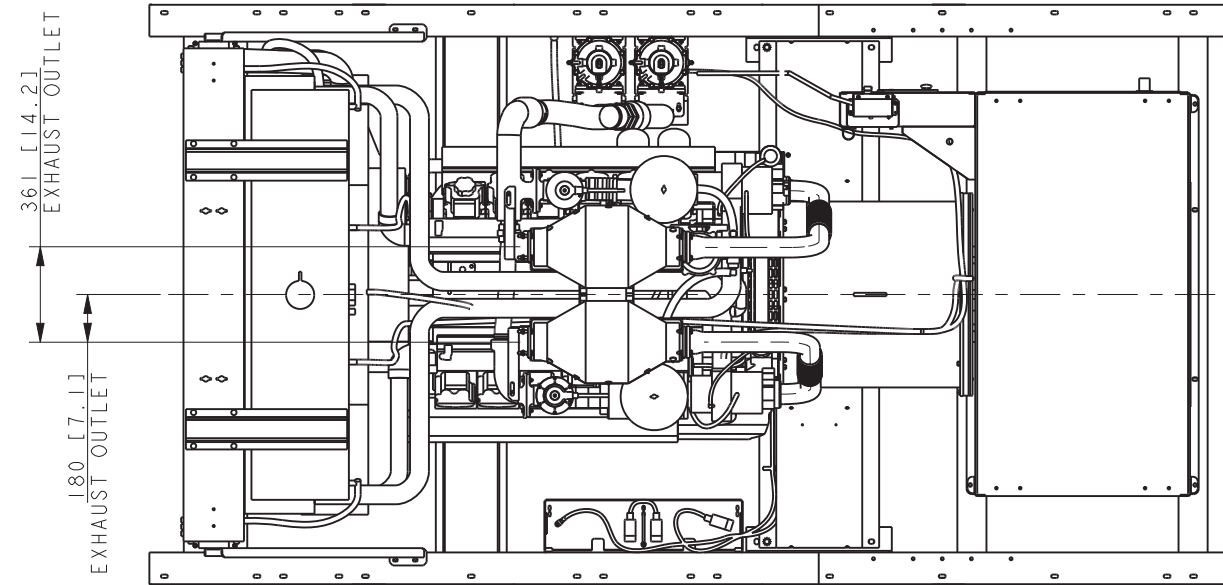
ALL LEAD CONNECTIONS USE 10MM [3/8] HARDWARE.

NOTES:
 CATALYSTS NOT SUPPLIED WITH NON-EPA GENSETS
 DIMENSIONS IN [] ARE ENGLISH EQUIVALENTS.
 THIS ASSEMBLY MUST COMPLY WITH PEP-RML-001.
 SIMILAR TO: ADV-9194

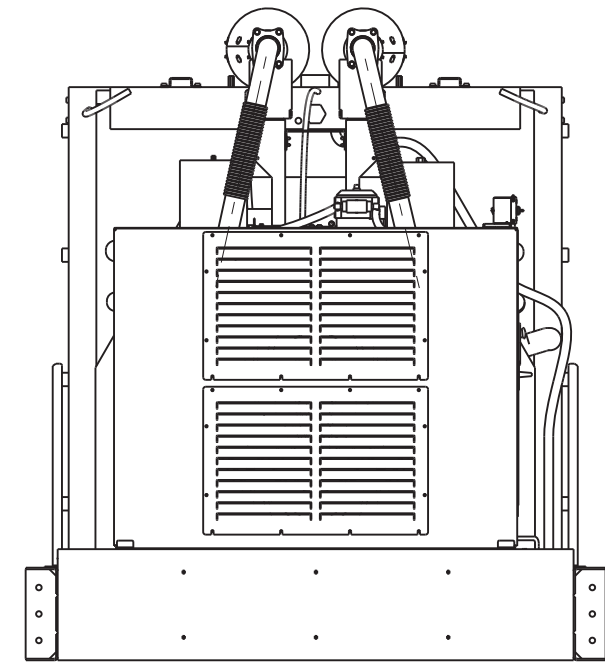
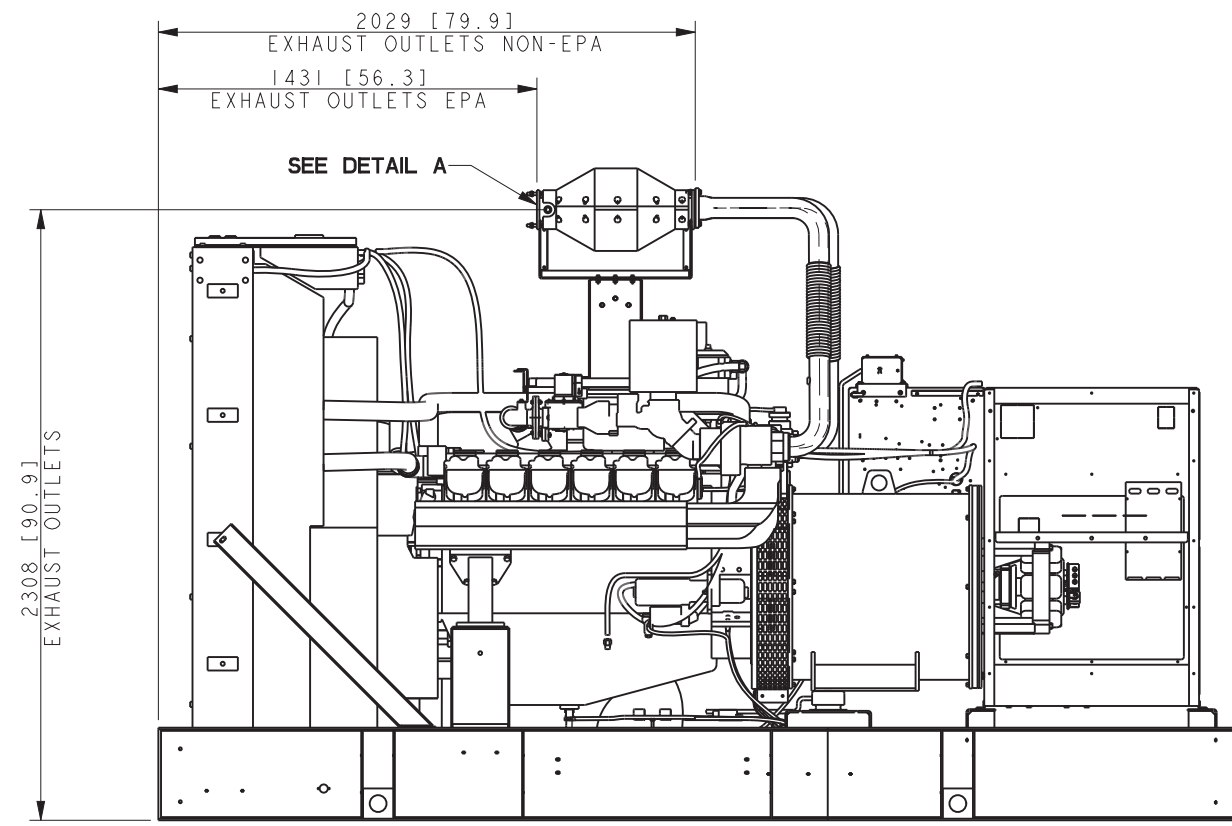


REV	DATE	ON COMPOSITE DWGS, SEE PART NO. FOR REVISION LEVEL	BY	DO NOT SCALE. REFERENCE THE MODEL FOR ALL UNSPECIFIED DIMENSIONS
-	9 JUL 2020	NEW DRAWING [CT205102]	CEK	UNLESS OTHERWISE SPECIFIED: ALL DIMENSIONS IN MILLIMETERS GENERAL TOLERANCES: X.XX ± 0.25 X.X ± 1.0 SURFACE FINISH X ± 1.5 MAX. ANGLES ± 0°30'
				KOHLER KOHLER, WISCONSIN 53044 THIS DRAWING IN DESIGN AND DETAIL IS KOHLER CO. PROPERTY AND MUST NOT BE USED EXCEPT IN CONNECTION WITH KOHLER CO. WORK. ALL RIGHTS OF DESIGN OR INVENTION ARE RESERVED.
				TITLE: DIMENSION PRINT, 400-500 REZXD/RZXD
				SCALE: 0.07 CAD NO. SHEET 1 of 3
				DWG NO. ADV-9195

**400-500KW MODELS
 RECONNECTABLE
 22 LITER DOOSAN, EPA & NON-EPA**

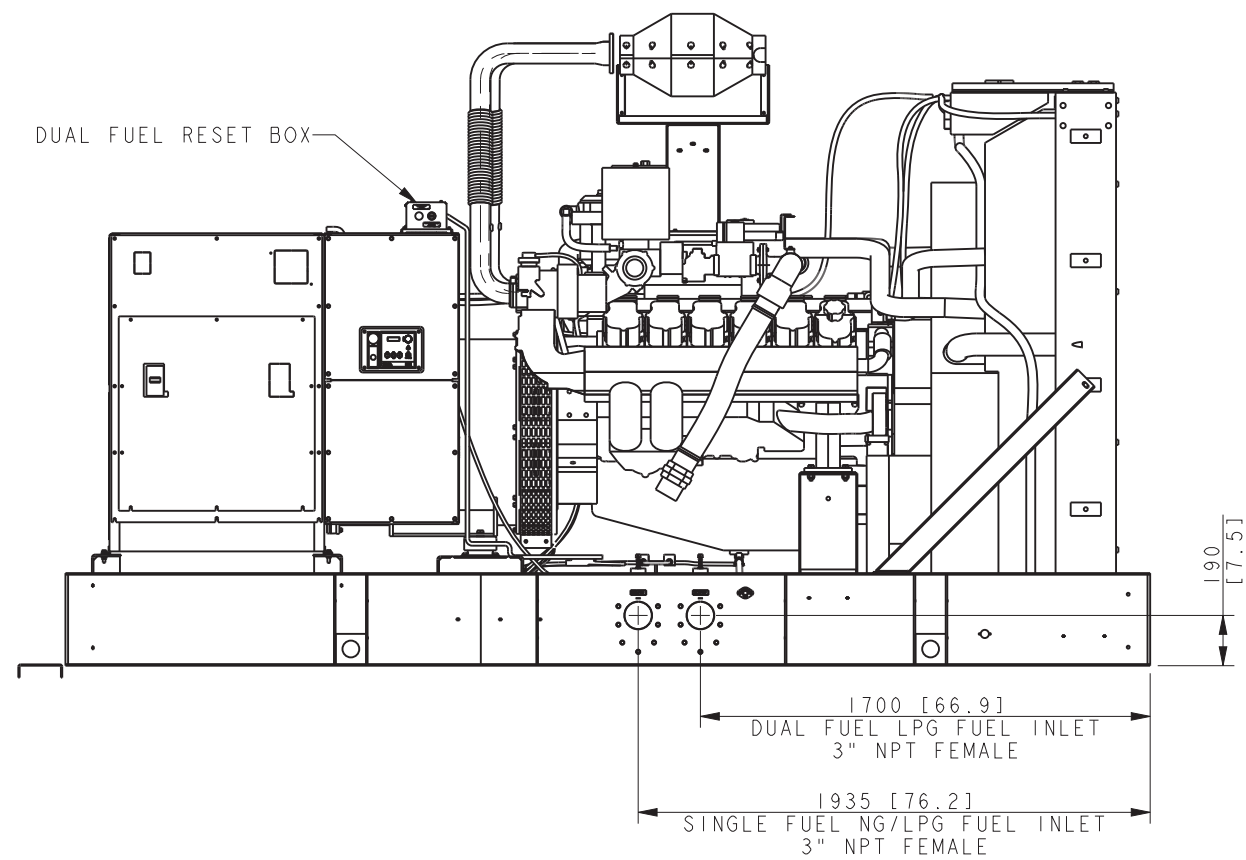


DETAIL A
EXHAUST OUTLETS
SCALE 0.50

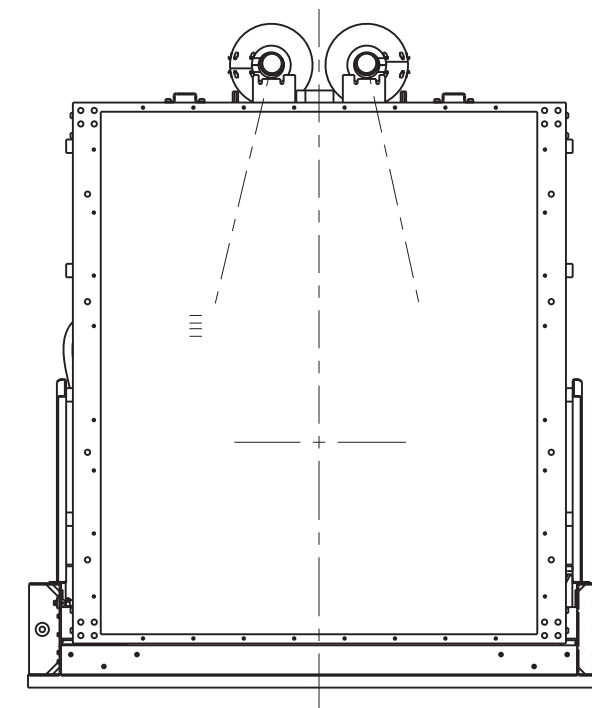


400-500KW MODELS
RECONNECTABLE
22 LITER DOOSAN, EPA & NON-EPA

REV	DATE	ON COMPOSITE DWGS. SEE PART NO. FOR REVISION LEVEL	BY	DO NOT SCALE. REFERENCE THE MODEL FOR ALL UNSPECIFIED DIMENSIONS
-	9 JUL 2020	NEW DRAWING [CT205102]	CEK	UNLESS OTHERWISE SPECIFIED: ALL DIMENSIONS IN MILLIMETERS GENERAL TOLERANCES: X.XX ± 0.25 X.X ± 1.0 X ± 1.5 ANGLES ± 0°30' MAX.
				KOHLER. KOHLER, WISCONSIN 53044 THIS DRAWING IN DESIGN AND DETAIL IS KOHLER CO. PROPERTY AND MUST NOT BE USED EXCEPT IN CONNECTION WITH KOHLER CO. WORK. ALL RIGHTS OF DESIGN OR INVENTION ARE RESERVED.
				TITLE DIMENSION PRINT, 400-500 REZXD/RZXD
				SCALE 0.07 CAD NO. SHEET 2 of 3
				DWG NO. ADV-9195



DUAL FUEL NATURAL GAS & LP GAS



400-500KW MODELS
RECONNECTABLE
22 LITER DOOSAN, EPA & NON-EPA

REV	DATE	ON COMPOSITE DWGS. SEE PART NO. FOR REVISION LEVEL	BY	DO NOT SCALE. REFERENCE THE MODEL FOR ALL UNSPECIFIED DIMENSIONS
-	9 JUL 2020	NEW DRAWING [CT205102]	CEK	UNLESS OTHERWISE SPECIFIED: ALL DIMENSIONS IN MILLIMETERS GENERAL TOLERANCES: X.XX ± 0.25 X.X ± 1.0 X ± 1.5 ANGLES ± 0°30' MAX.
				KOHLER. KOHLER, WISCONSIN 53044 THIS DRAWING IN DESIGN AND DETAIL IS KOHLER CO. PROPERTY AND MUST NOT BE USED EXCEPT IN CONNECTION WITH KOHLER CO. WORK. ALL RIGHTS OF DESIGN OR INVENTION ARE RESERVED.
				TITLE DIMENSION PRINT, 400-500 REZXD/RZXD
				SCALE 0.07 CAD NO. SHEET 3 of 3
				DWG NO. ADV-9195 D

APPROVALS	DATE
DRAWN CEK	9 JUL 2020
CHECKED DJV	9 JUL 2020
APPROVED LAC	9 JUL 2020