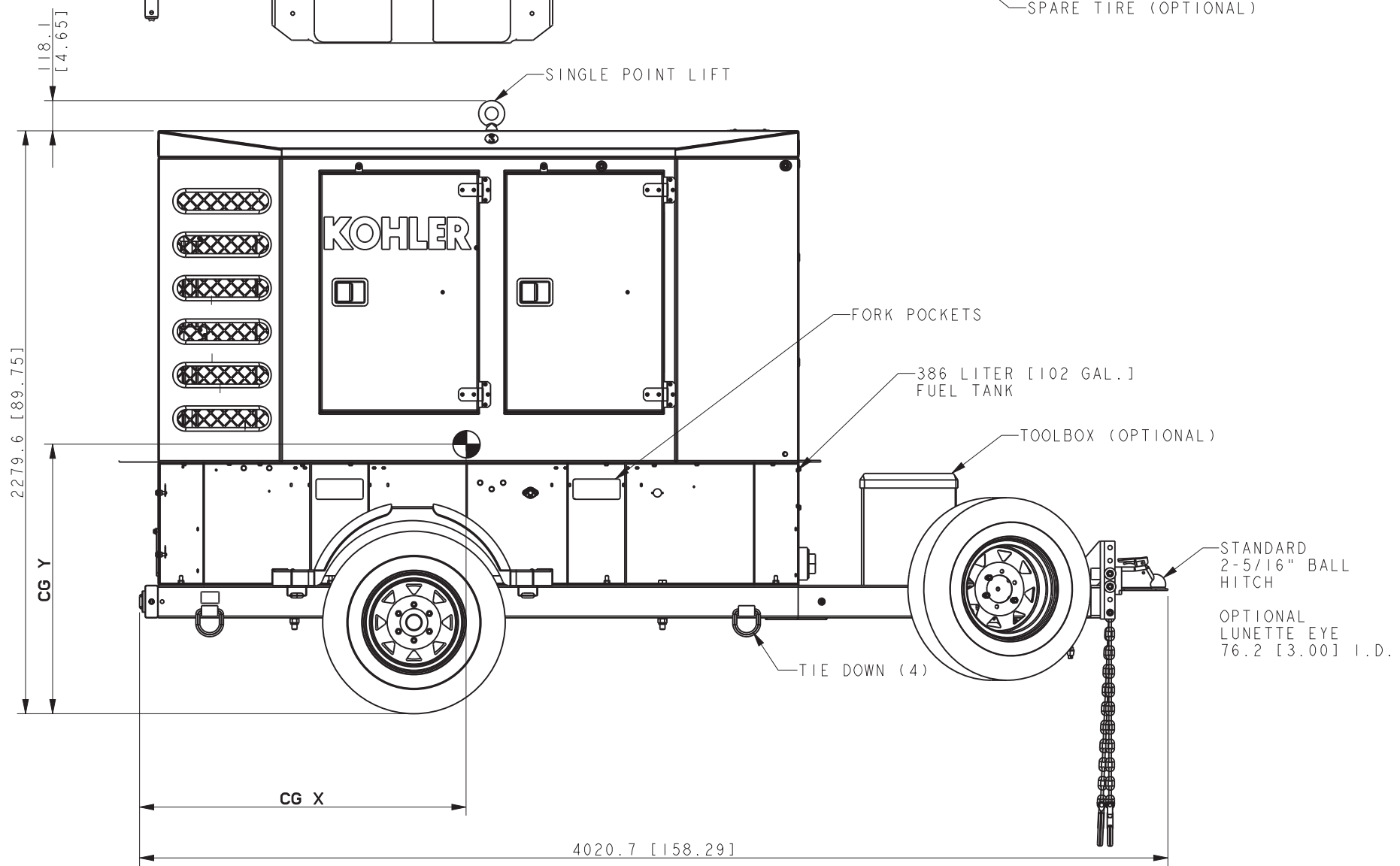
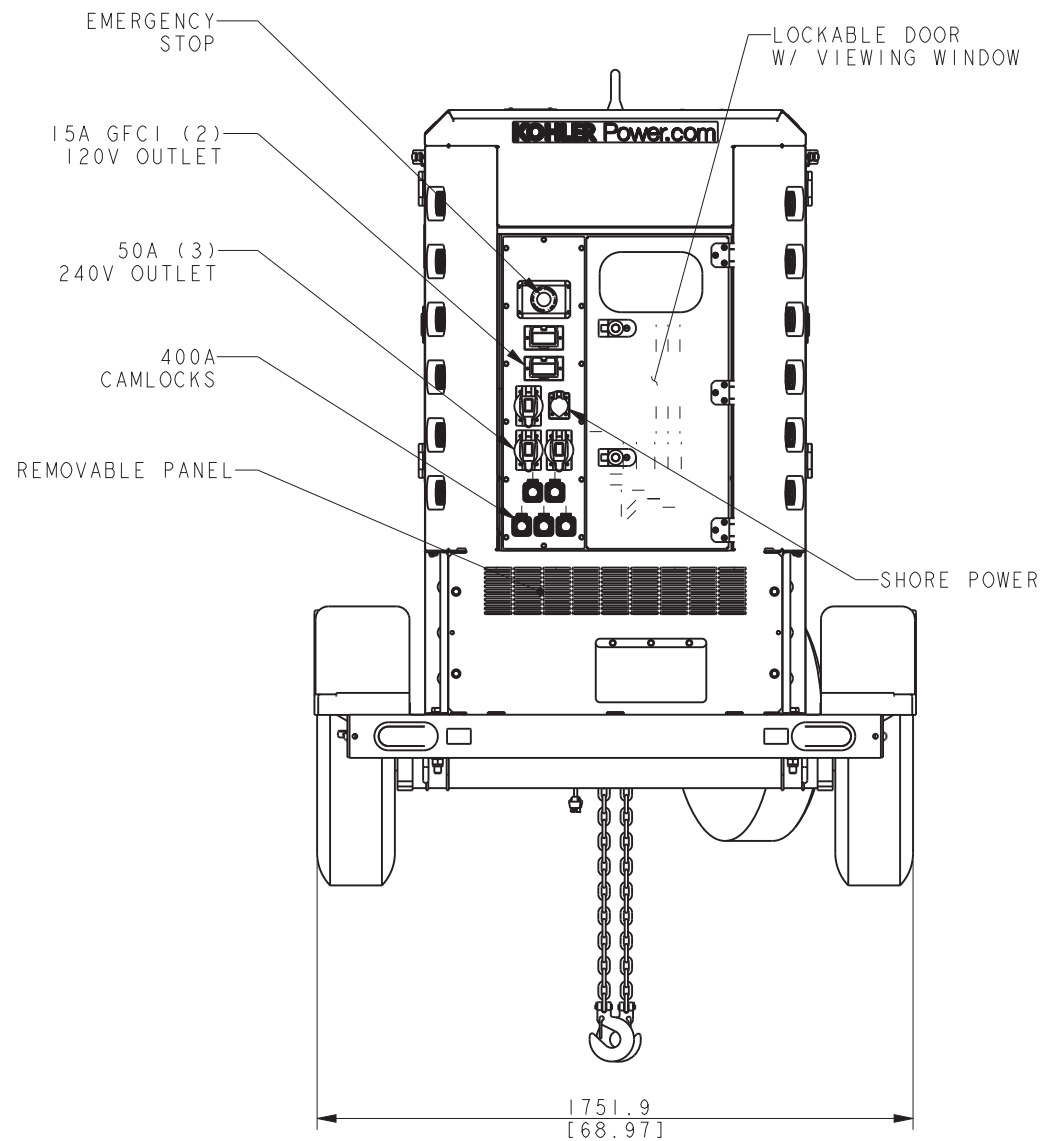
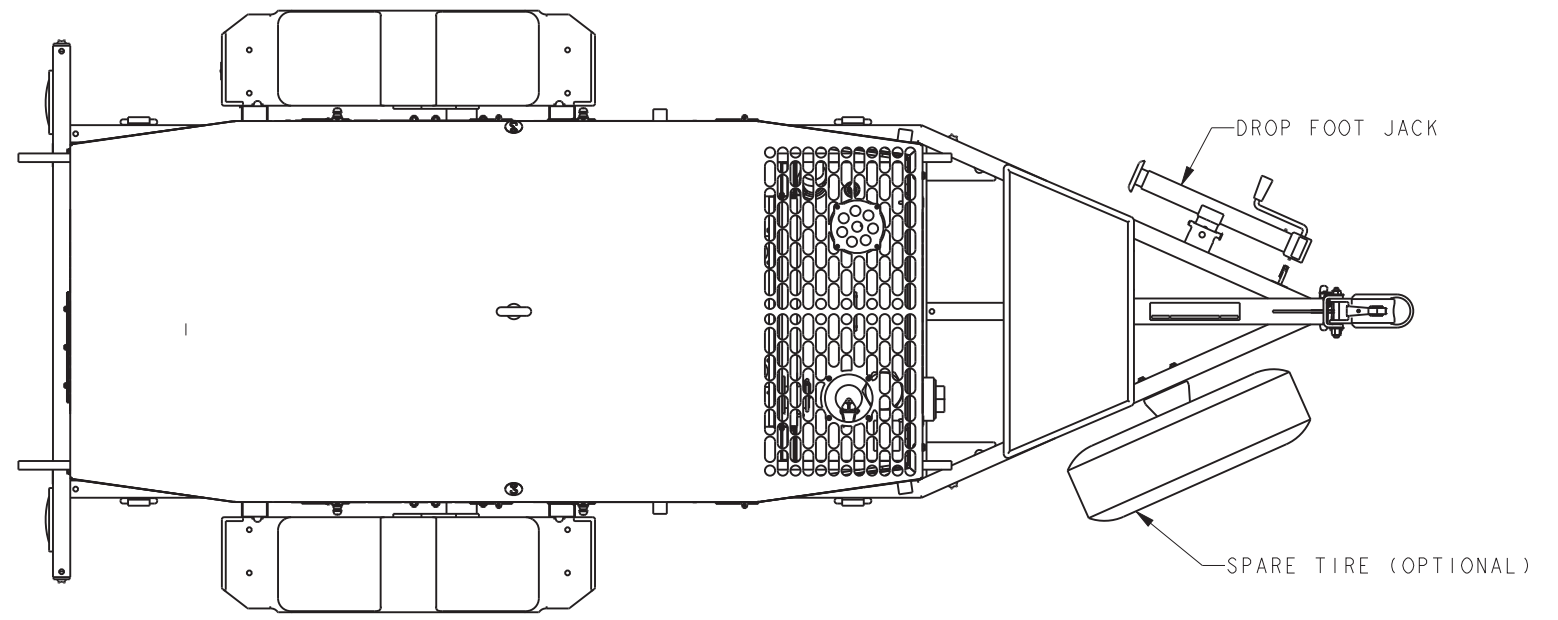


CENTER OF GRAVITY DIMENSIONS			WEIGHT DRY KG (LBS)	WEIGHT WET KG (LBS)
MODEL	CG X	CG Y		
55REOZT4	1255.0 [49.41]	1054.0 [41.50]	2214 [4881]	2241 [4941]



DIMENSIONS IN [] ARE IMPERIAL EQUIVALENTS
WET WEIGHT INCLUDES ENGINE FLUIDS, EXCLUDING FUEL WEIGHT.
WEIGHTS LISTED DO NOT INCLUDE OPTIONAL TOOL BOX AND SPARE TIRE KITS.

STANDARD TOWABLE
55REOZT4

REV	DATE	ON COMPOSITE DWGS, SEE PART NO. FOR REVISION LEVEL	BY	DO NOT SCALE. REFERENCE THE MODEL FOR ALL UNSPECIFIED DIMENSIONS	
-	04OCT2019	NEW DRAWING [CT198480]	CCL	UNLESS OTHERWISE SPECIFIED: ALL DIMENSIONS IN MILLIMETERS GENERAL TOLERANCES: X.XX ± 0.25 X.X ± 1.0 SURFACE FINISH X ± 1.5 MAX. ANGLES ± 0°30'	
A	12OCT2020	VIEWS UPDATED: (A-4) 4020.7 [158.29] WAS 4010.1 [157.88]; (D-8) 1255.0 [49.41] WAS 1290 [50.79]; (A-7) 1751.9 [68.97] WAS 1724.7 [67.90]; (B-5) 2279.6 [89.74] WAS 2278.6 [89.71]; (B-1) LUNETTE EYE 76.2 [3.00] WAS PINTLE HITCH 82.6 [3.25]; (D-7) CG X VALUE UPDATED [CT207348]	PAR		
			APPROVALS		DATE
			DRAWN		CCL 04OCT2019
			CHECKED		GFR 04OCT2019
			APPROVED	AJW 04OCT2019	

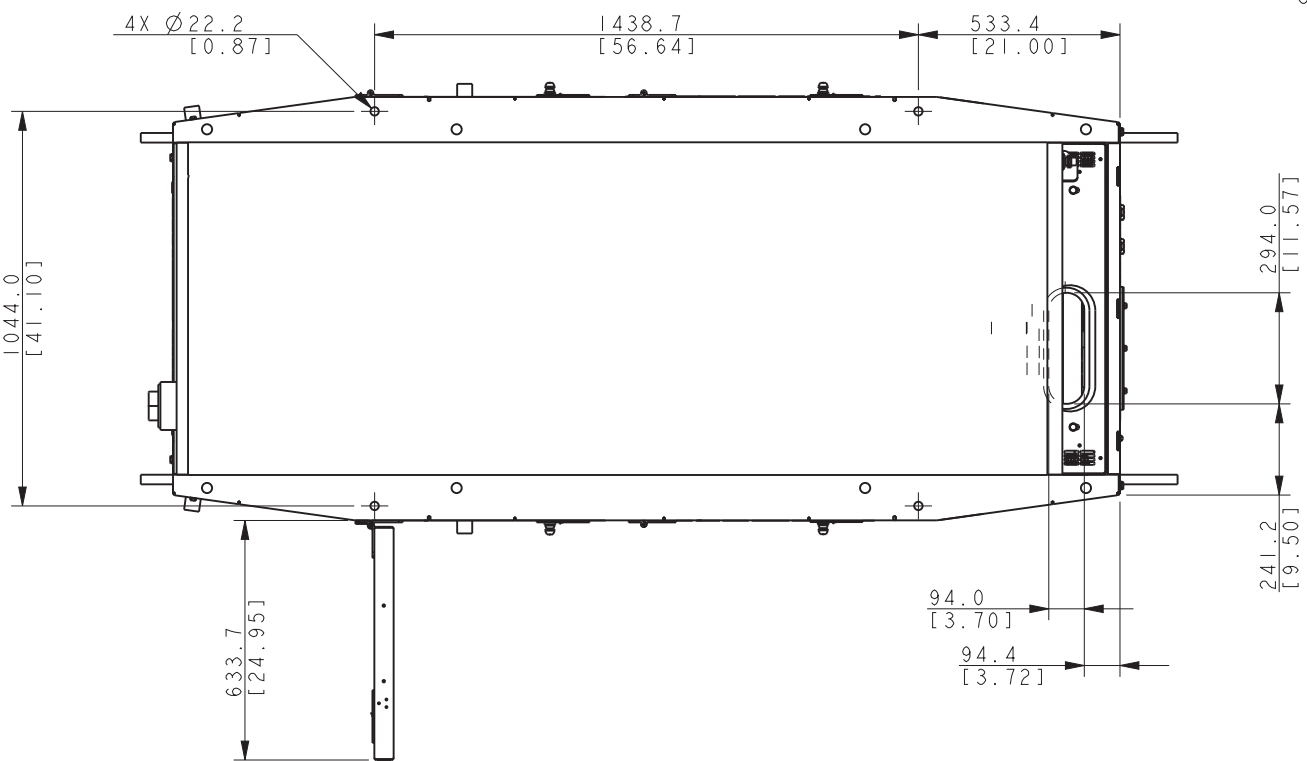
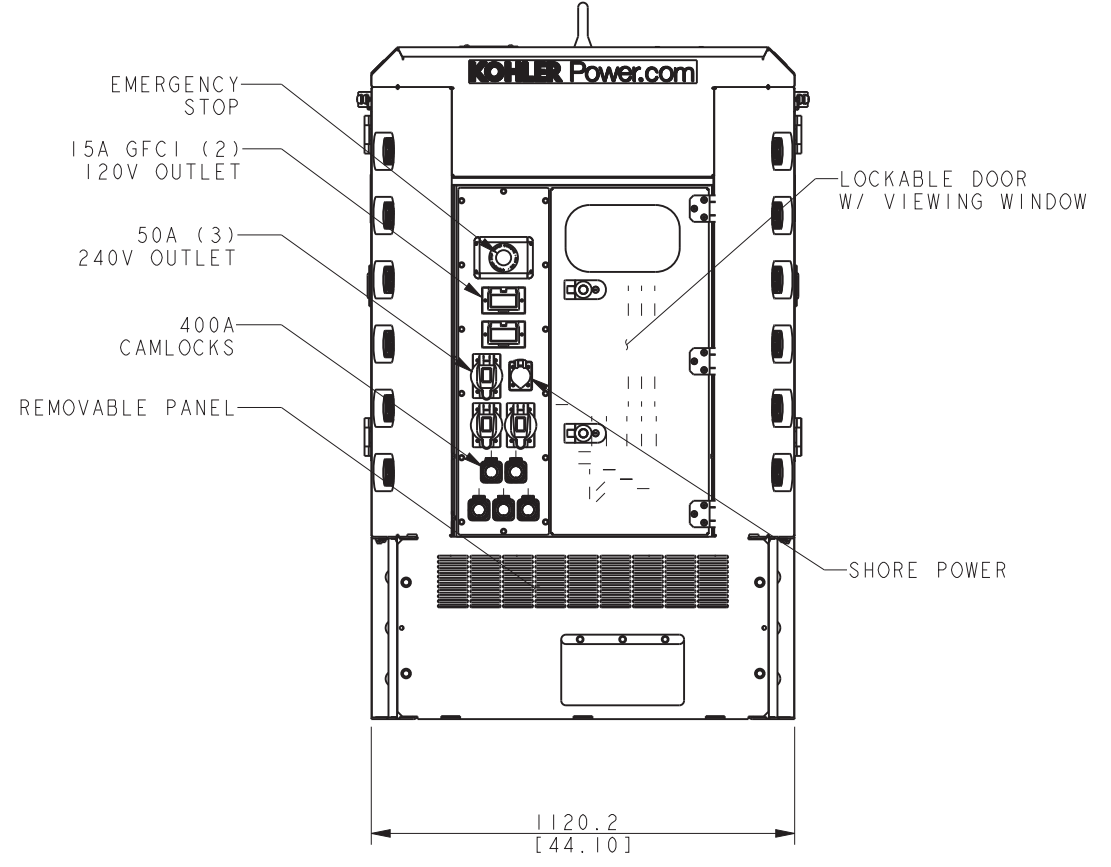
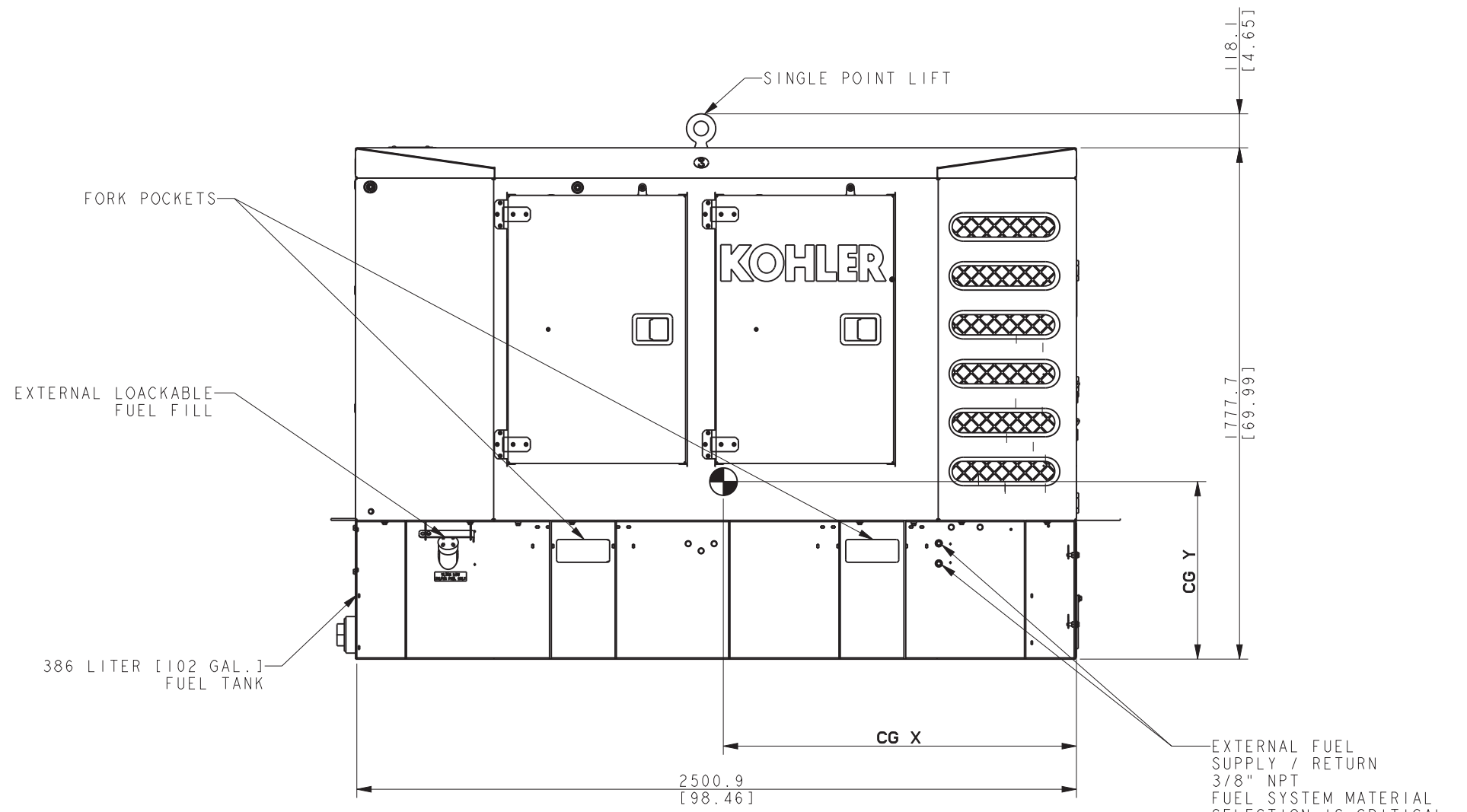
KOHLER
KOHLER, WISCONSIN 53044

THIS DRAWING IN DESIGN AND DETAIL IS KOHLER CO. PROPERTY AND MUST NOT BE USED EXCEPT IN CONNECTION WITH KOHLER CO. WORK. ALL RIGHTS OF DESIGN OR INVENTION ARE RESERVED.

TITLE
DIMENSION PRINT, 55REOZT4

SCALE 0.09 CAD NO. SHEET 1 of 3
DWG NO. **ADV-9174**

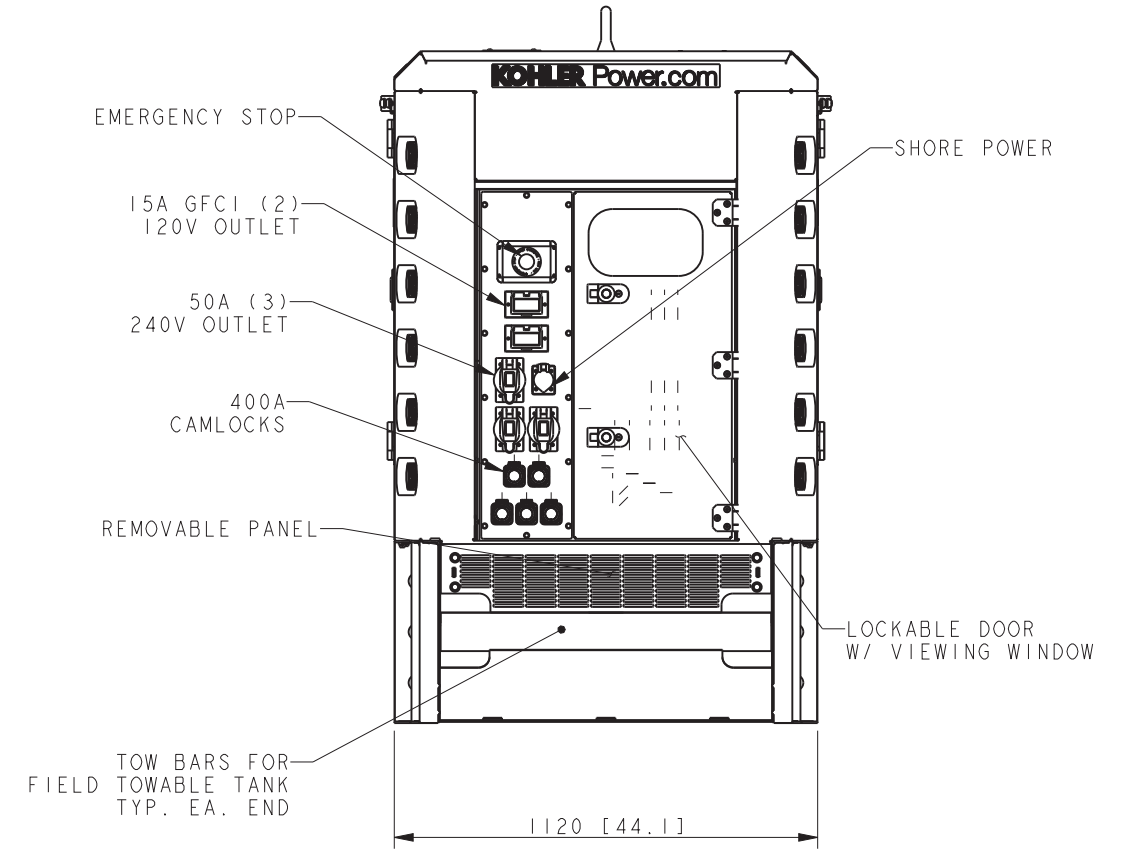
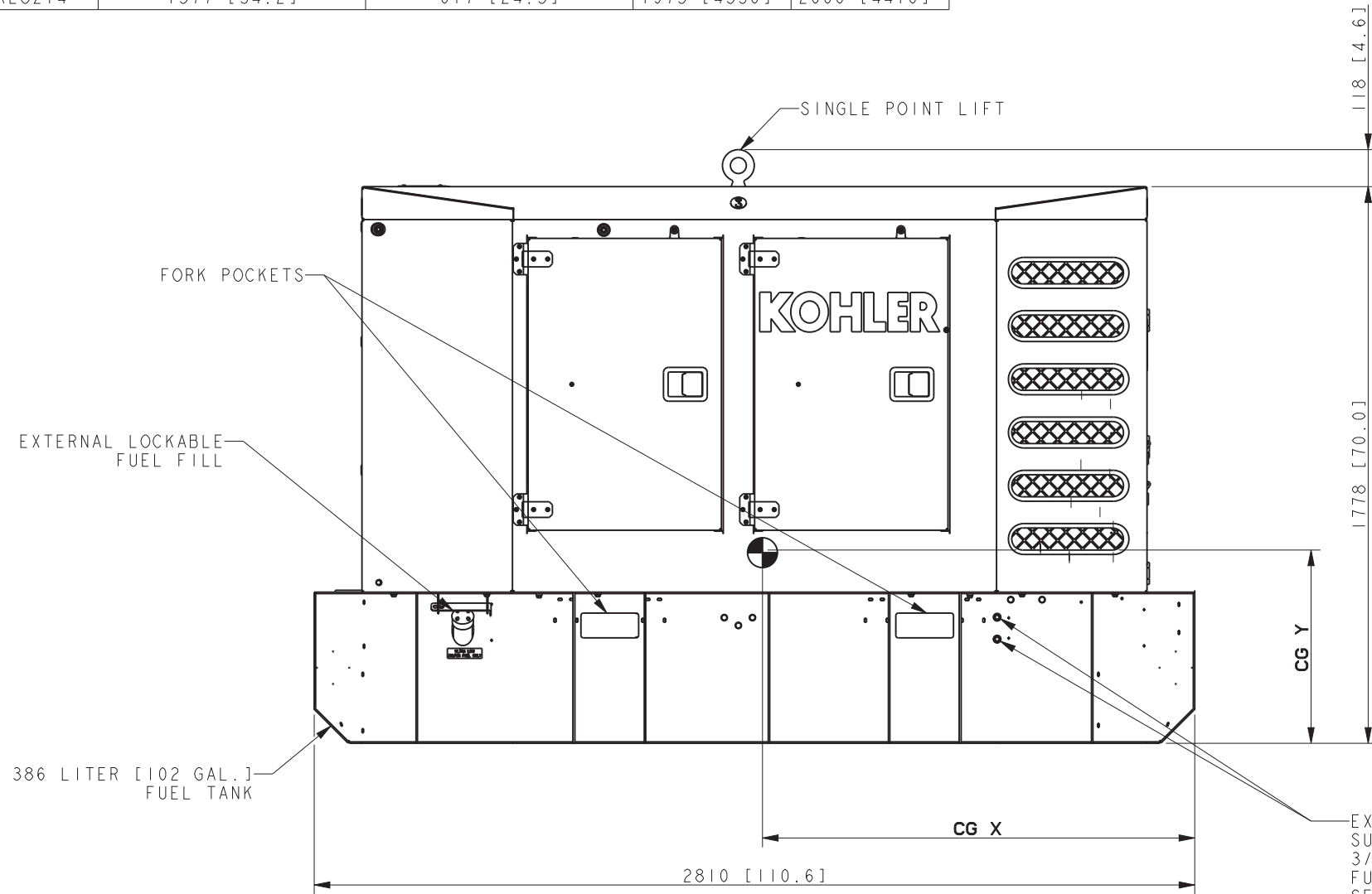
CENTER OF GRAVITY DIMENSIONS		WEIGHT DRY KG [LBS]	WEIGHT WET KG [LBS]
MODEL	CG X	CG Y	
55REOZT4	1225 [48.2]	617 [24.3]	1961 [4324] 1989 [4384]



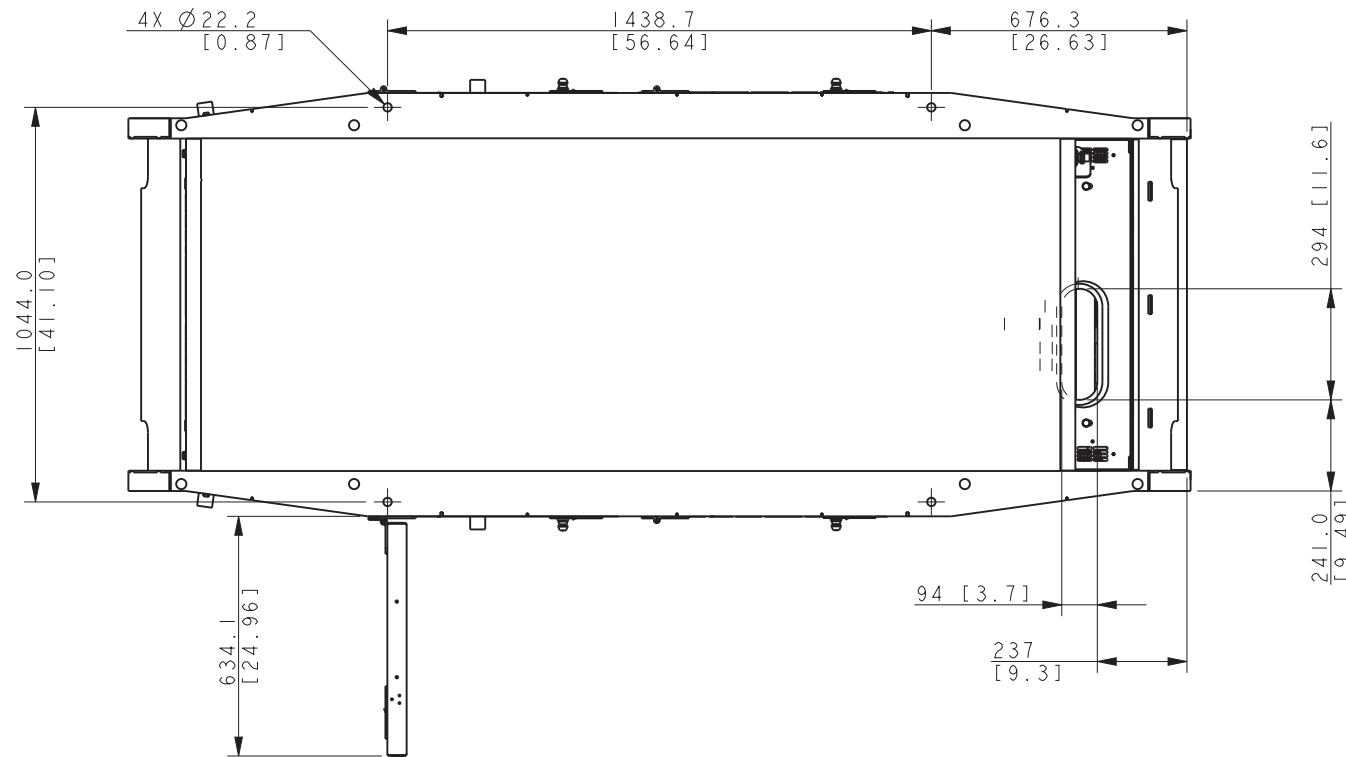
STANDARD
55REOZT4

REV	DATE	ON COMPOSITE DWGS. SEE PART NO. FOR REVISION LEVEL	BY	DO NOT SCALE. REFERENCE THE MODEL FOR ALL UNSPECIFIED DIMENSIONS
-	04OCT2019	NEW DRAWING [CT198480]	CCL	UNLESS OTHERWISE SPECIFIED: ALL DIMENSIONS IN MILLIMETERS GENERAL TOLERANCES: X.XX ± 0.25 X.X ± 1.0 SURFACE FINISH X ± 1.5 MAX. ANGLES ± 0°30'
A	12OCT2020	SEE SHEET 1 [CT207348]	PAR	
				KOHLER KOHLER, WISCONSIN 53044 THIS DRAWING IN DESIGN AND DETAIL IS KOHLER CO. PROPERTY AND MUST NOT BE USED EXCEPT IN CONNECTION WITH KOHLER CO. WORK. ALL RIGHTS OF DESIGN OR INVENTION ARE RESERVED. TITLE: DIMENSION PRINT, 55REOZT4
APPROVALS		DATE		SCALE 0.10 CAD NO. SHEET 2 of 3
DRAWN CCL		04OCT2019		DWG NO. ADV-9174
CHECKED GFR		04OCT2019		
APPROVED AJW		04OCT2019		

CENTER OF GRAVITY DIMENSIONS		WEIGHT DRY KG [LBS]	WEIGHT WET KG [LBS]
MODEL	CG X	CG Y	
55REOZT4	1377 [54.2]	617 [24.3]	1973 [4350] 2000 [4410]



EXTERNAL FUEL SUPPLY / RETURN 3/8" NPT FUEL SYSTEM MATERIAL SELECTION IS CRITICAL. SEE TP-5700 FOR DETAILS



FIELD DRAGGABLE 55REOZT4

REV	DATE	ON COMPOSITE DWGS, SEE PART NO. FOR REVISION LEVEL	BY	DO NOT SCALE. REFERENCE THE MODEL FOR ALL UNSPECIFIED DIMENSIONS
-	04OCT2019	NEW DRAWING [CT198480]	CCL	UNLESS OTHERWISE SPECIFIED: ALL DIMENSIONS IN MILLIMETERS GENERAL TOLERANCES: X.XX ± 0.25 X.X ± 1.0 SURFACE FINISH X ± 1.5 MAX. ANGLES ± 0°30'
A	12OCT2020	SEE SHEET 1 [CT207348]	PAR	
				KOHLER KOHLER, WISCONSIN 53044 THIS DRAWING IN DESIGN AND DETAIL IS KOHLER CO. PROPERTY AND MUST NOT BE USED EXCEPT IN CONNECTION WITH KOHLER CO. WORK. ALL RIGHTS OF DESIGN OR INVENTION ARE RESERVED.
				TITLE DIMENSION PRINT, 55REOZT4
APPROVALS		DATE		SCALE 0.10 CAD NO. SHEET 3 of 3
DRAWN CCL		04OCT2019		DWG NO. ADV-9174
CHECKED GFR		04OCT2019		
APPROVED AJW		04OCT2019		D