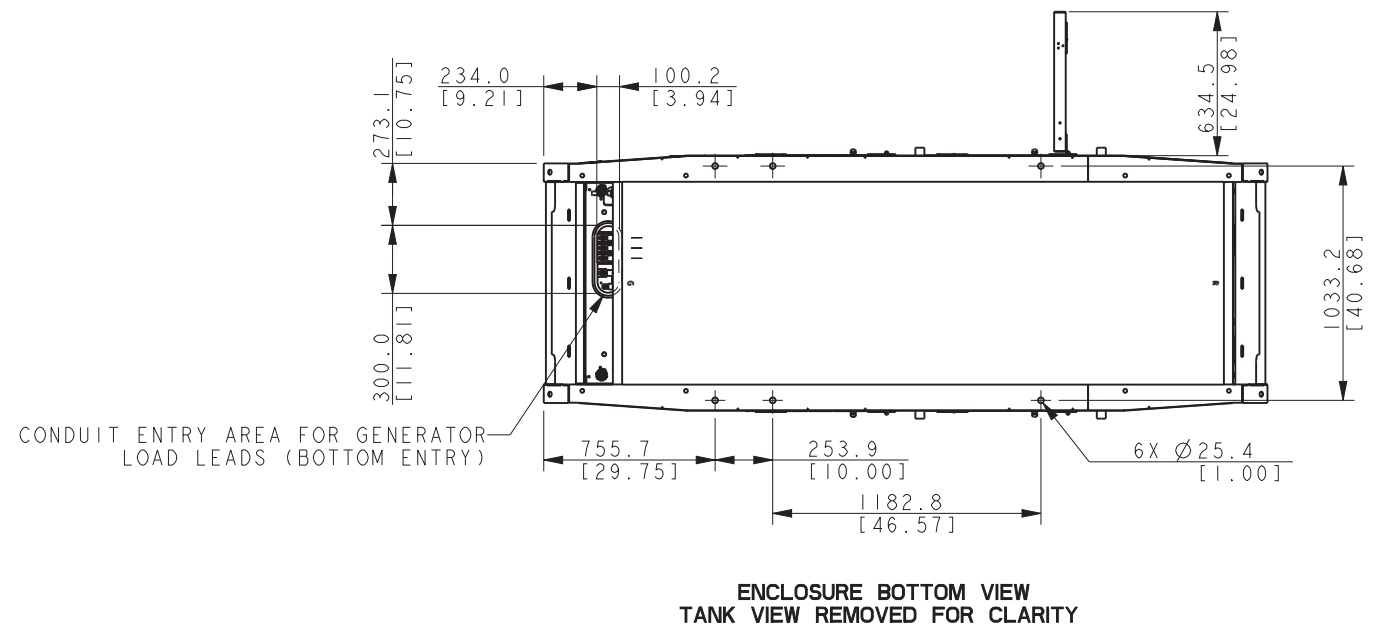
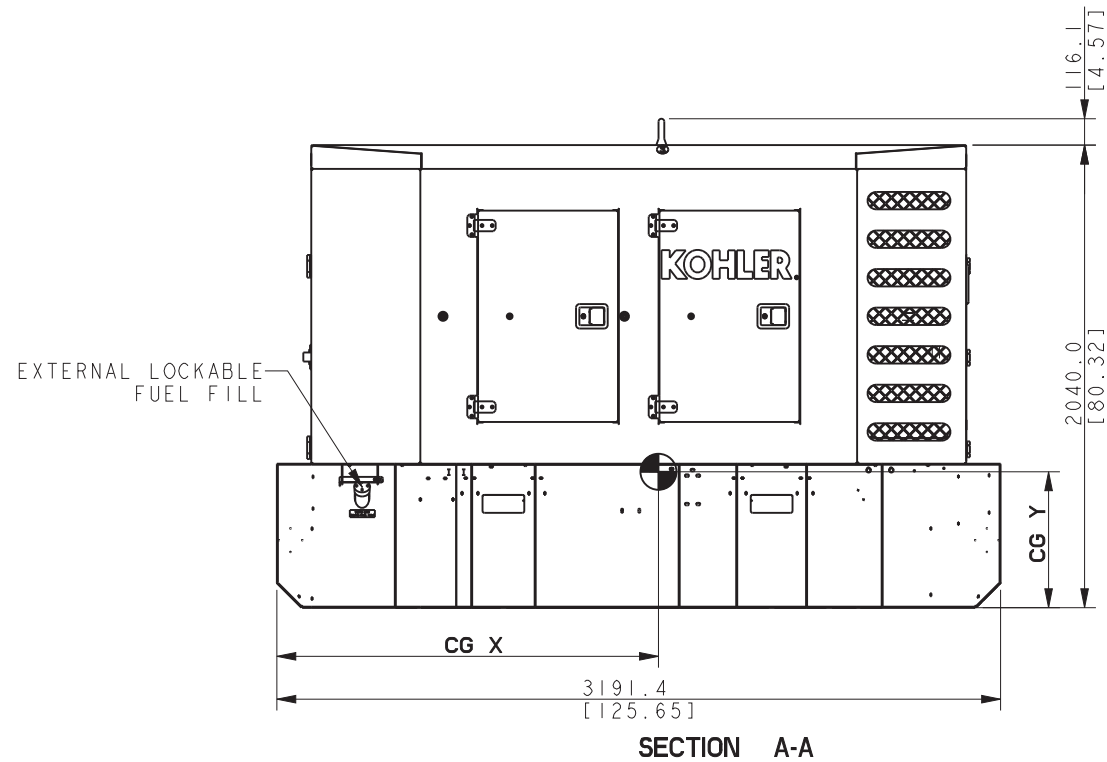
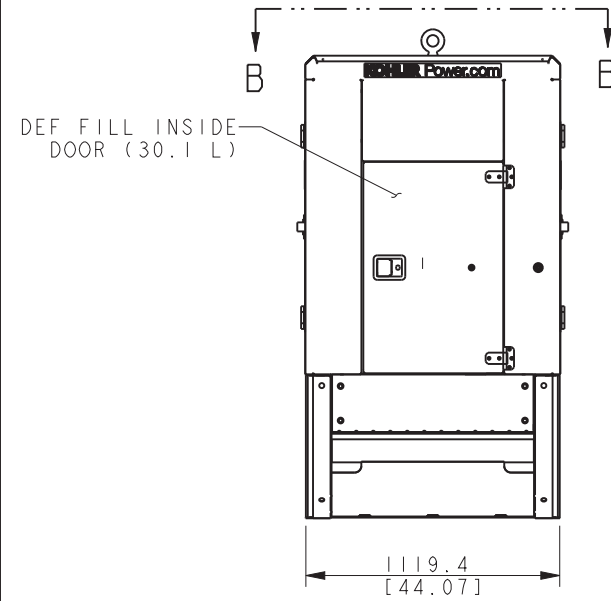
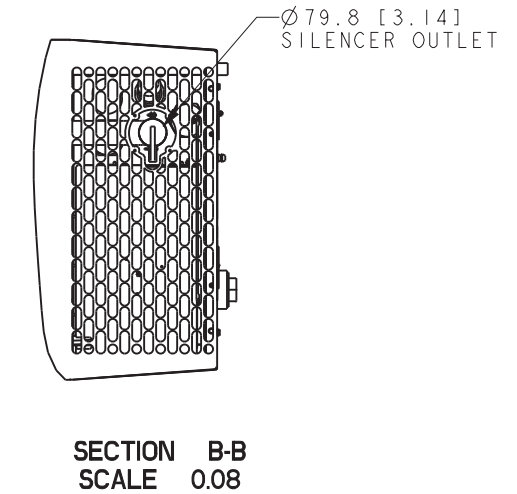
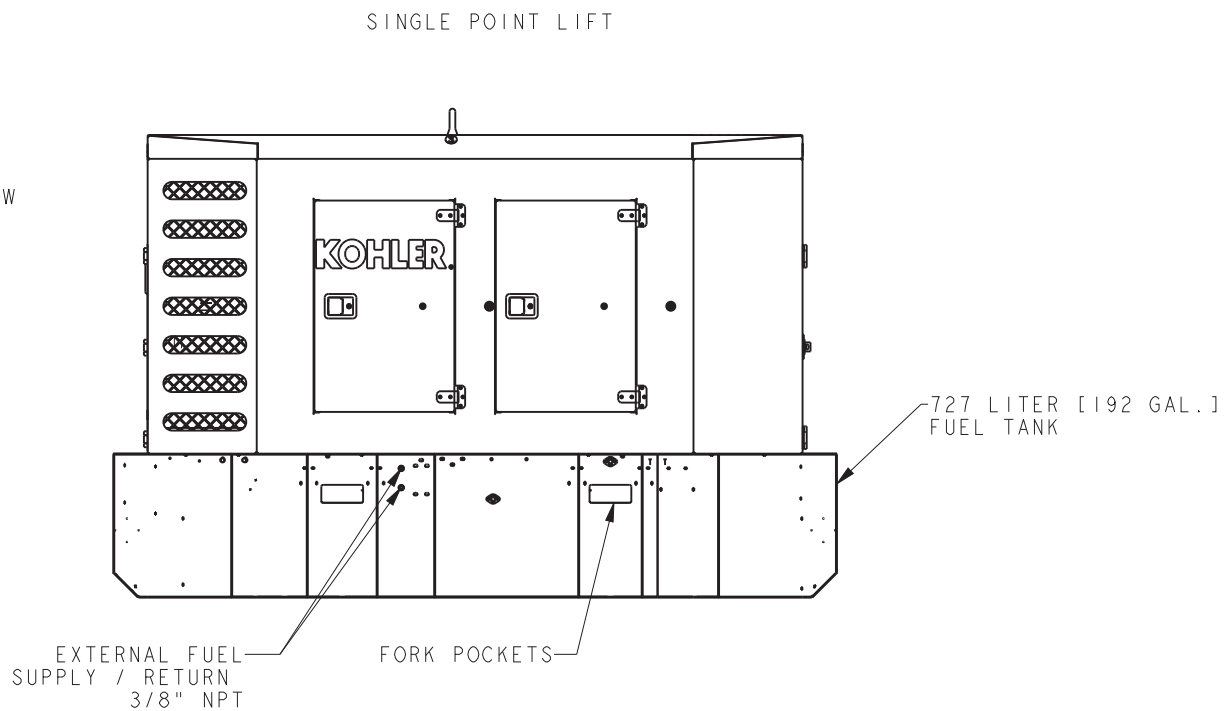
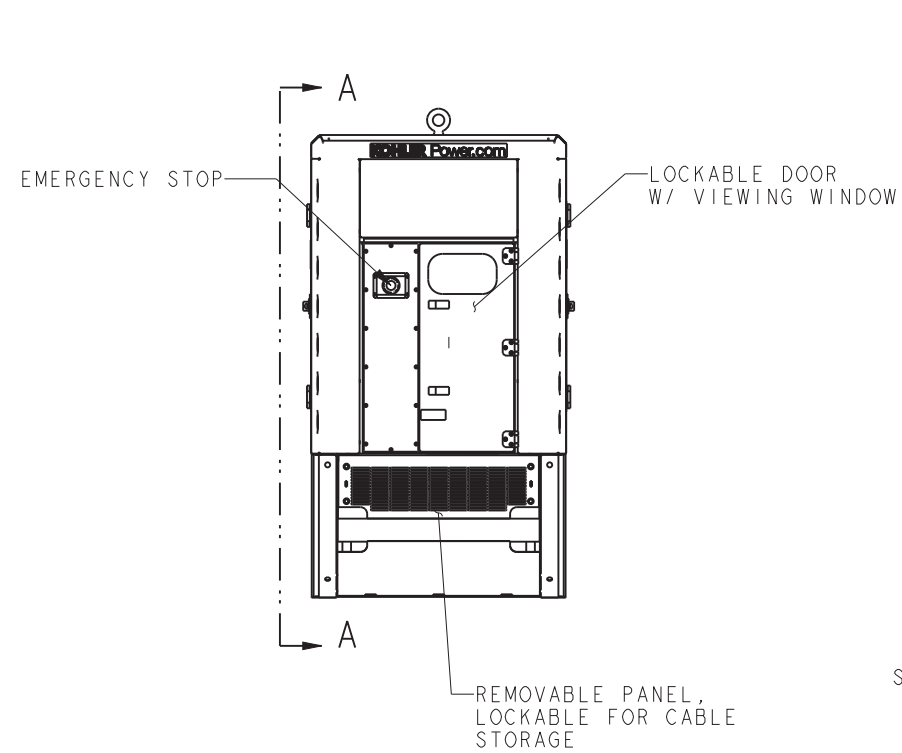


CENTER OF GRAVITY DIMENSIONS			WEIGHT DRY KG [LBS]	WEIGHT WET KG [LBS]
MODEL	CG X	CG Y		
80REOZJ4	1644 [64.7]	595 [23.4]	2577 [5680]	2624 [5785]
100REOZJ4	1659 [65.3]	600 [23.6]	2695 [5940]	2742 [6045]



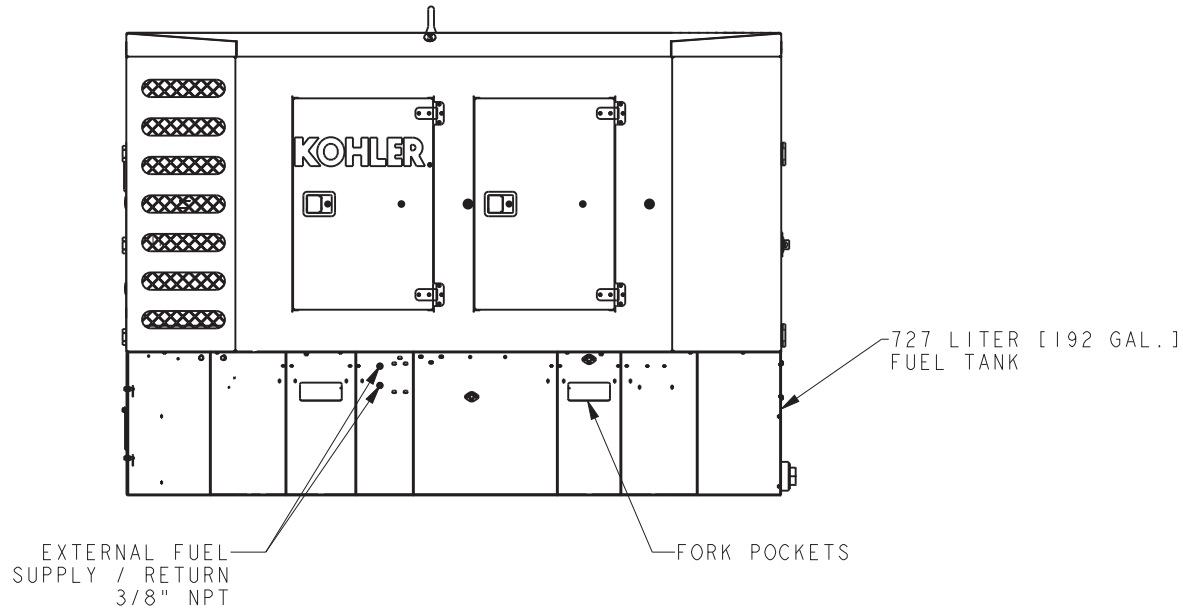
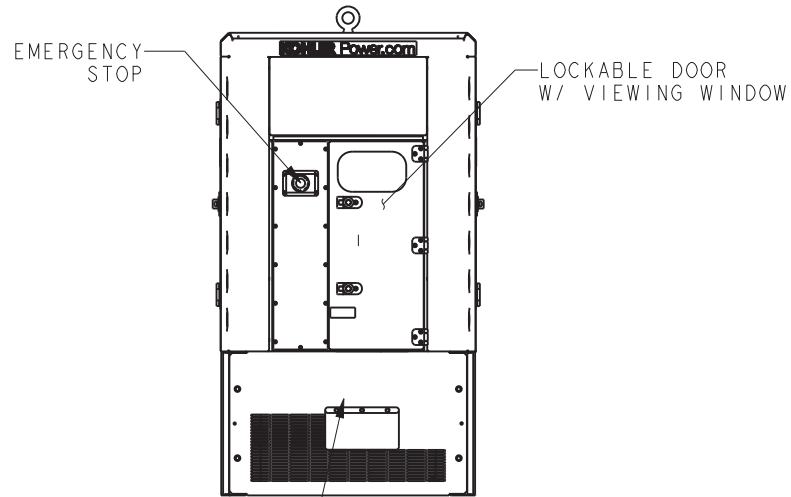
WET WEIGHT INCLUDES ENGINE FLUIDS, EXCLUDING FUEL & DEF FLUID WEIGHT. DIMENSIONS IN [] ARE ENGLISH EQUIVALENTS

REV	DATE	ON COMPOSITE DWGS. SEE PART NO. FOR REVISION LEVEL	BY	UNLESS OTHERWISE SPECIFIED - 1) DIMENSIONS ARE IN MILLIMETERS 2) TOLERANCES ARE:	KOHLER CO. METRIC PRO-E POWER SYSTEMS, KOHLER, WI 53044 U.S.A. THIS DRAWING IN DESIGN AND DETAIL IS KOHLER CO. PROPERTY AND MUST NOT BE USED EXCEPT IN CONNECTION WITH KOHLER CO. WORK. ALL RIGHTS OF DESIGN OR INVENTION ARE RESERVED.
-	11-3-15	NEW DRAWING [CT133155]	TAK	X.XX ± 0.25	
A	10-10-17	(B-2) VIEW ADDED [CT177004]	SRM	X.X ± 1.0	
B	3-22-18	(B-8) 30.1L WAS 41L; (D-5) NOTE MOVED; VIEW REPOSITIONED; (A-2) NOTE: ENCLOSURE BOTTOM VIEW... ADDED; SEE SHEET 2 CT[185418]	DS	X ± 1.5	
				ANGLES ± 0° 30'	
				THIRD ANGLE PROJECTION	
				APPROVALS	
				DATE	
				SCALE 0.06	
				CAD NO.	
				SHEET 1 of 2	
				DWG NO. ADV-8830	
				D	

FIELD DRAGGABLE

CENTER OF GRAVITY DIMENSIONS			WEIGHT DRY KG [LBS]	WEIGHT WET KG [LBS]
MODEL	CG X	CG Y		
80REOZJ4	1491 [58.7]	605 [23.8]	2497 [5505]	2545 [5610]
100REOZJ4	1506 [59.3]	607 [24.0]	2615 [5765]	2663 [5870]

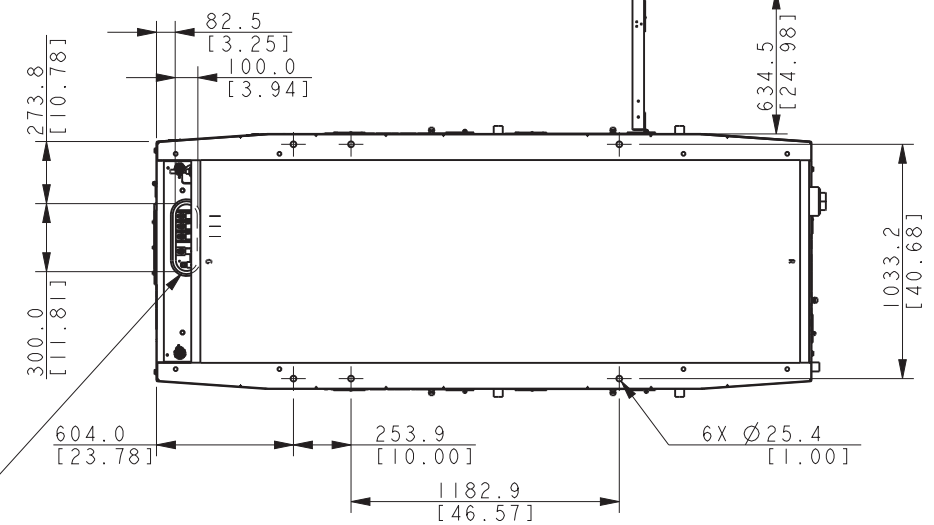
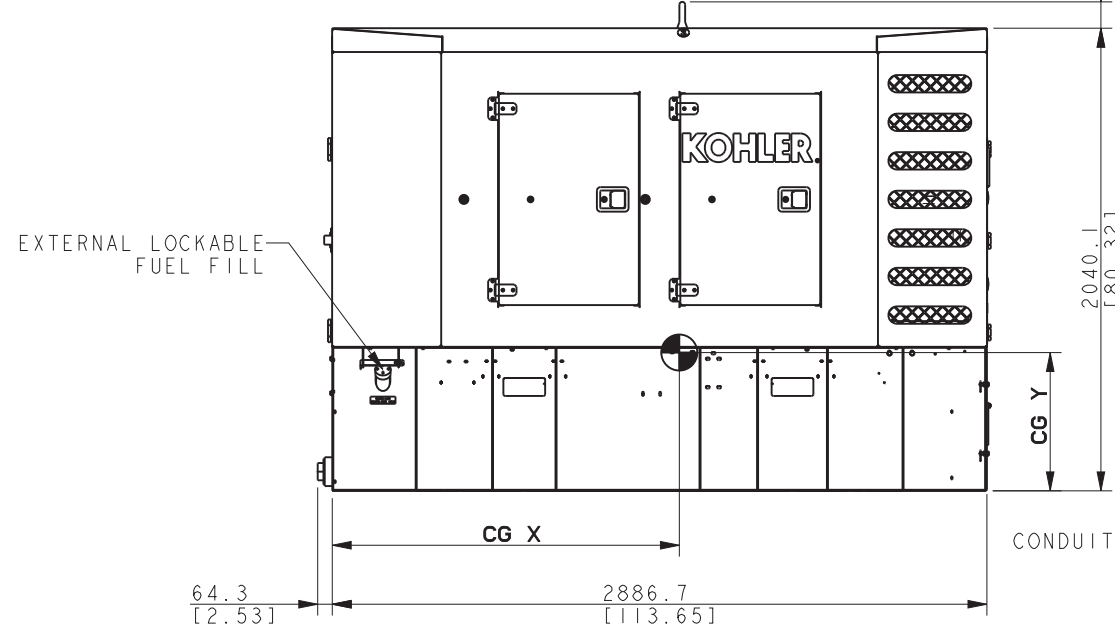
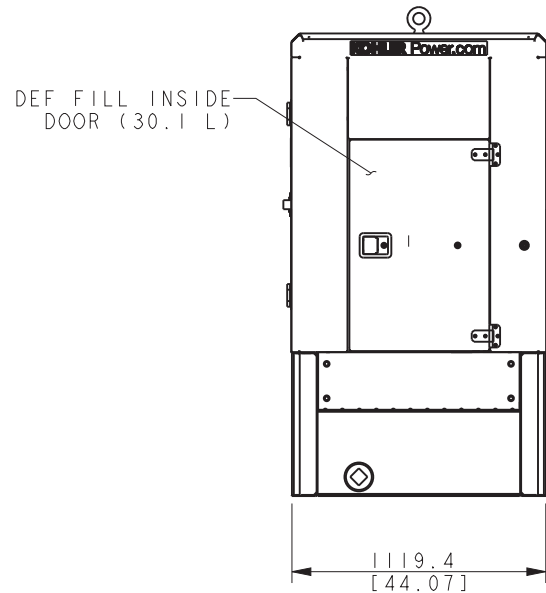
SINGLE POINT LIFT



REMOVABLE END CHANNEL
LOCKABLE FOR CABLE
STORAGE

EXTERNAL FUEL
SUPPLY / RETURN
3/8" NPT

FORK POCKETS



CONDUIT ENTRY AREA FOR GENERATOR
LOAD LEADS (BOTTOM ENTRY)

ENCLOSURE BOTTOM VIEW
TANK VIEW REMOVED FOR CLARITY

WET WEIGHT INCLUDES ENGINE FLUIDS, EXCLUDING FUEL & DEF FLUID WEIGHT.
DIMENSIONS IN [] ARE ENGLISH EQUIVALENTS

STANDARD MOBILE

REV	DATE	ON COMPOSITE DWGS. SEE PART NO. FOR REVISION LEVEL	BY	UNLESS OTHERWISE SPECIFIED - 1) DIMENSIONS ARE IN MILLIMETERS 2) TOLERANCES ARE:
-	11-3-15	NEW DRAWING [CT133155]	TAK	X.XX ± 0.25
A	10-10-17	SEE SHEET 1 [CT177004]	SRM	X.X ± 1.0
B	3-22-18	(B-8) 30.1L WAS 41L; VIEW REPOSITIONED;(A-2)		X ± 1.5
		NOTE: ENCLOSURE BOTTOM VIEW... ADDED; SEE SHEET 1 [CT185418]	DS	ANGLES ± 0° 30' MAX.
				THIRD ANGLE PROJECTION
				APPROVALS
				DATE
				DRAWN TAK 11-3-15
				CHECKED WDG 11-3-15
				APPROVED WDG 11-3-15

KOHLER CO. METRIC PRO-E	
POWER SYSTEMS, KOHLER, WI 53044 U.S.A.	
THIS DRAWING IN DESIGN AND DETAIL IS KOHLER CO. PROPERTY AND MUST NOT BE USED EXCEPT IN CONNECTION WITH KOHLER CO. WORK. ALL RIGHTS OF DESIGN OR INVENTION ARE RESERVED.	
TITLE DIMENSION PRINT, 80/100 STATIONARY PRIME	
SCALE 0.06	CAD NO.
DWG NO.	SHEET 2 of 2
ADV-8830	