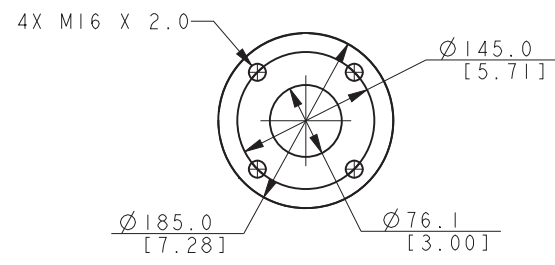
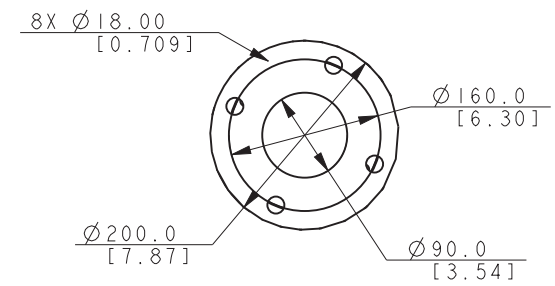


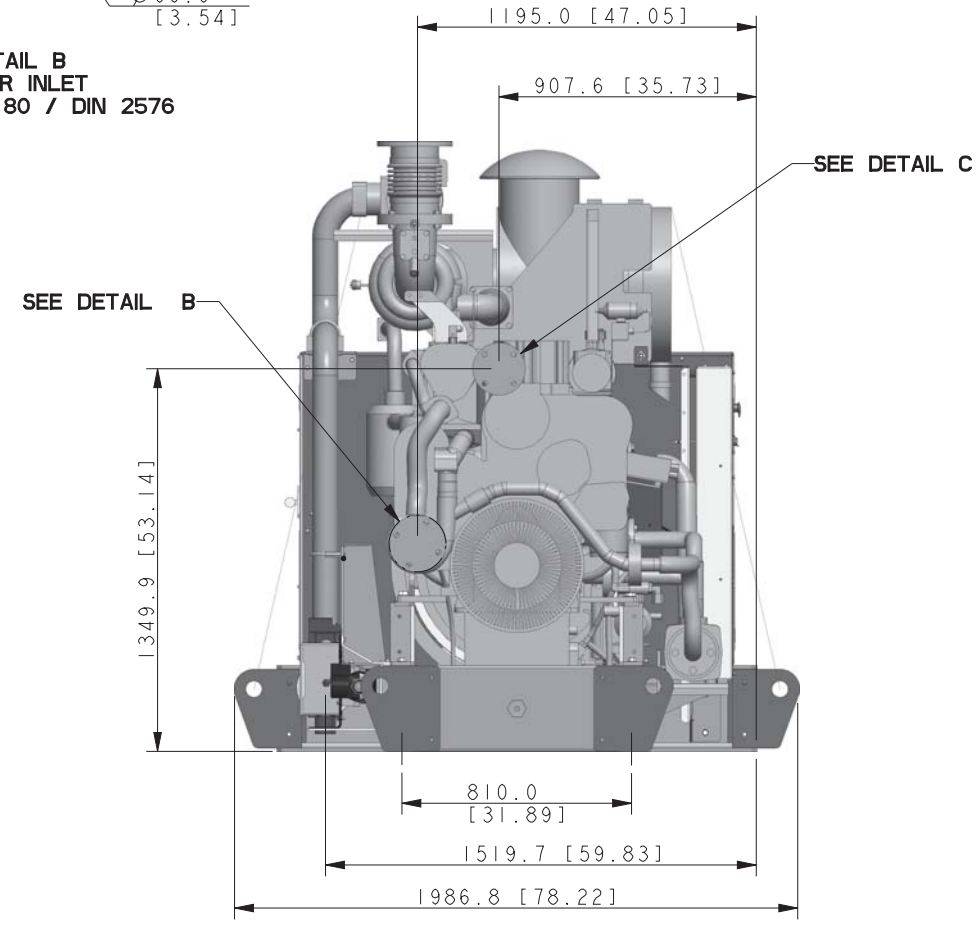
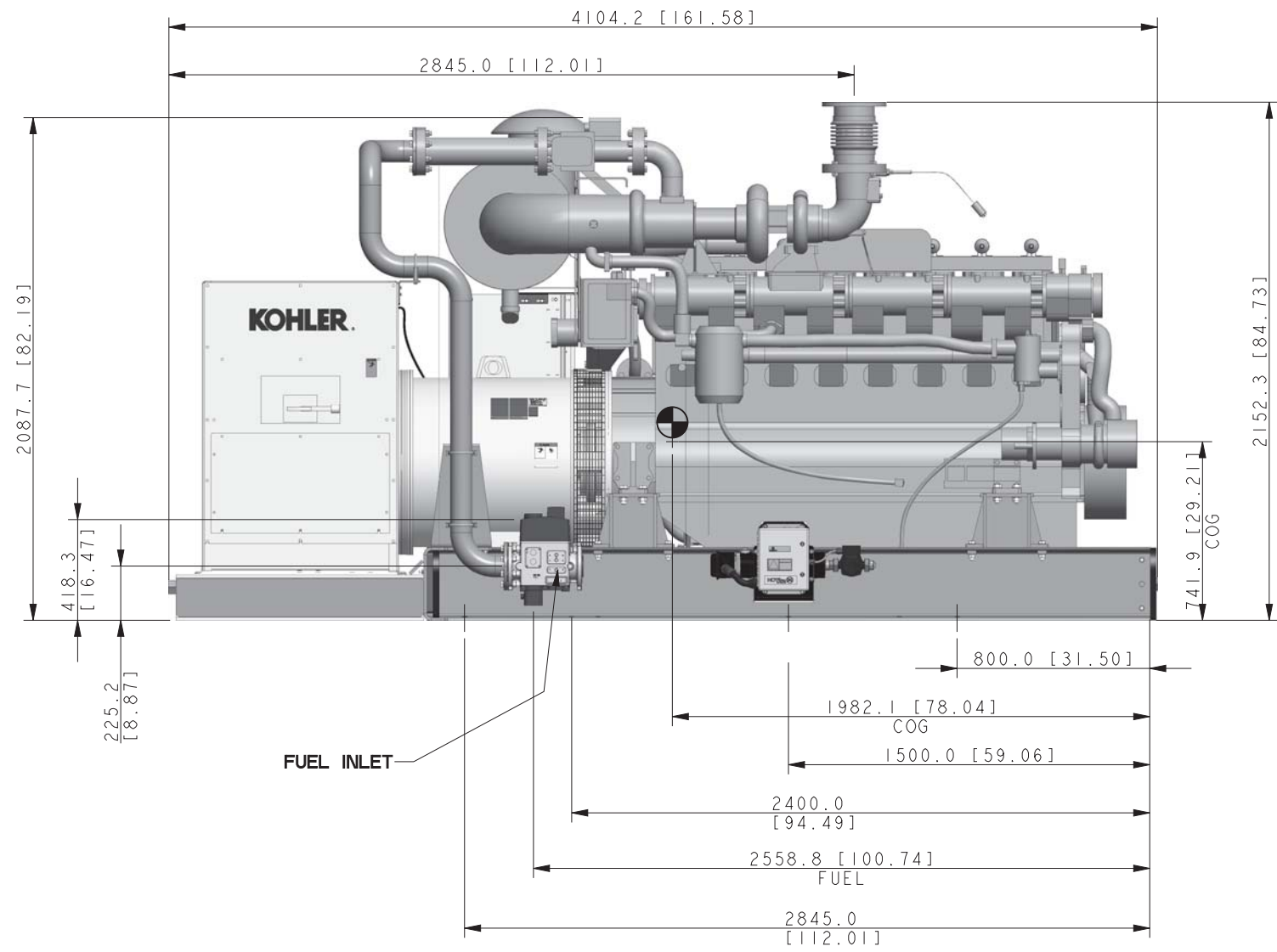
DETAIL A  
EXHAUST



DETAIL C  
WATER OUTLET  
USE WITH DN 65 / DIN 2576

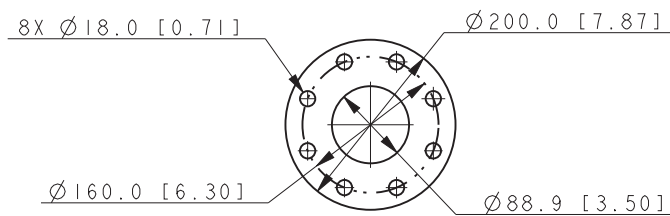


DETAIL B  
WATER INLET  
USE WITH DN 80 / DIN 2576

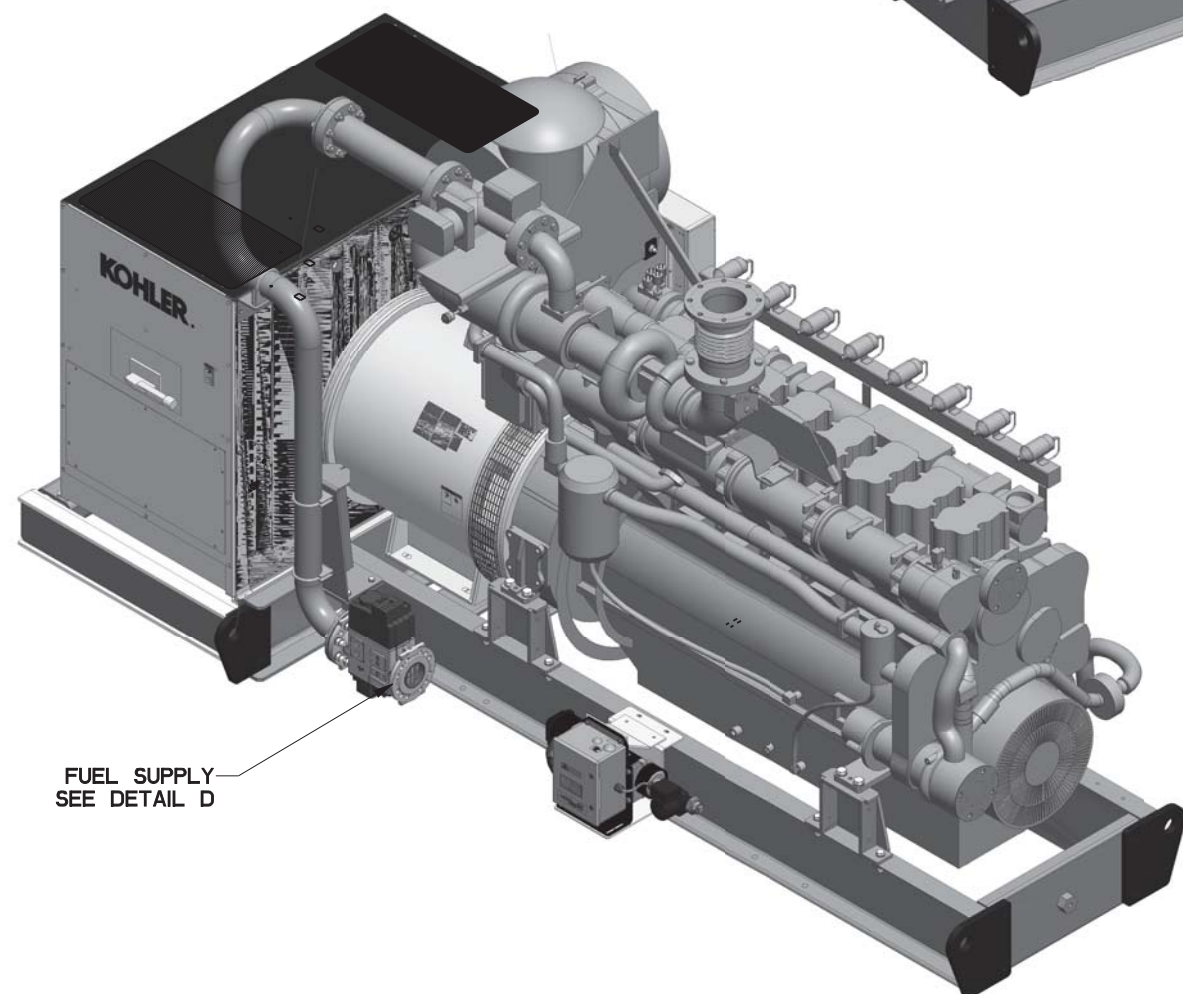
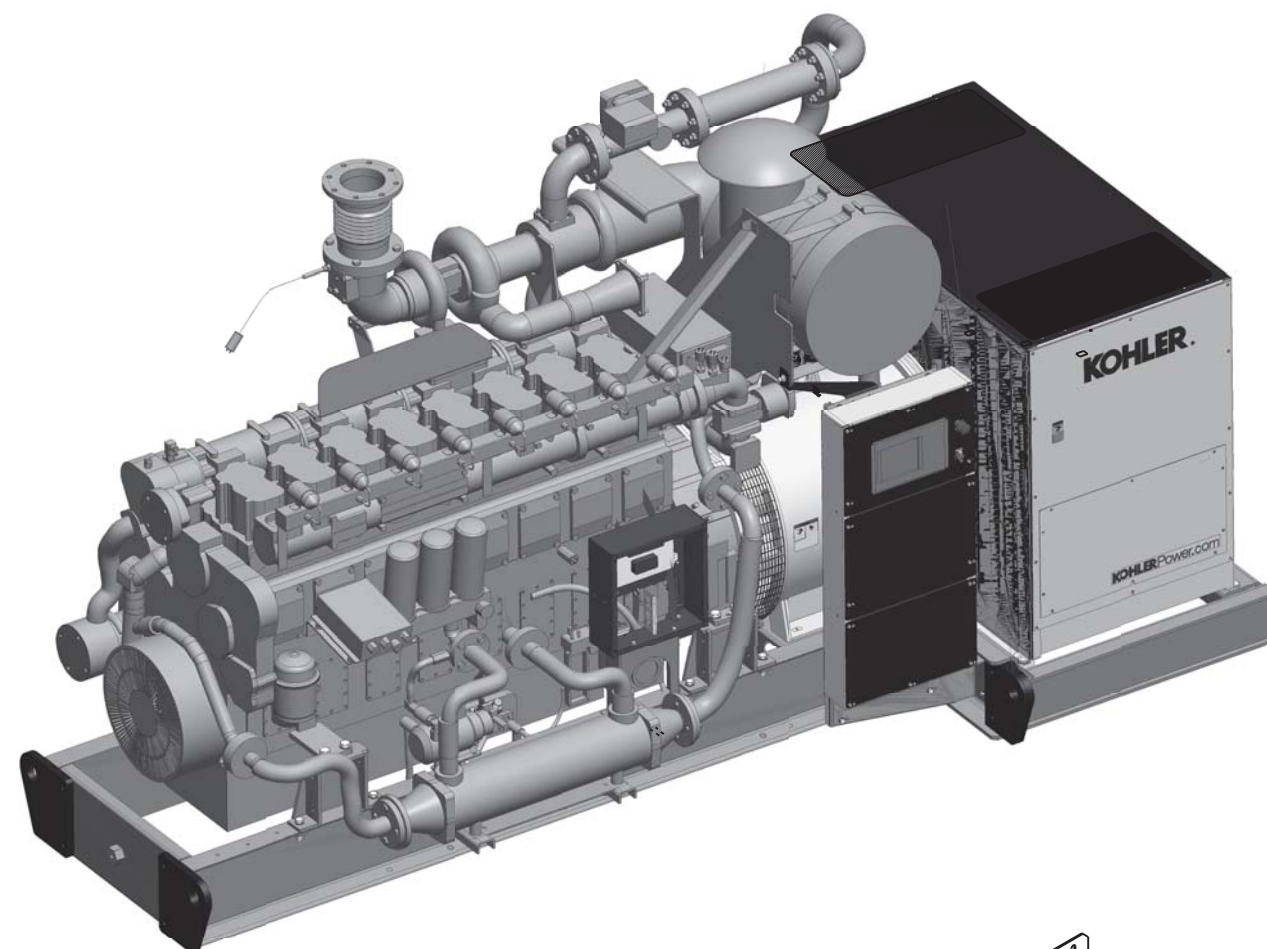


REV	DATE	ON COMPOSITE DWGS. SEE PART NO. FOR REVISION LEVEL	BY	UNLESS OTHERWISE SPECIFIED - 1) DIMENSIONS ARE IN MILLIMETERS 2) TOLERANCES ARE:	APPROVALS	DATE	TITLE
-	10-17-15	NEW DRAWING [ ]	SAK	X.XX ± 0.25 X.X ± 1.0 X ± 1.5 ANGLES ± 0° 30' MAX.	SAK	10-17-15	<b>KOHLER CO. METRIC PRO-E</b> POWER SYSTEMS, KOHLER, WI 53044 U.S.A. THIS DRAWING IN DESIGN AND DETAIL IS KOHLER CO. PROPERTY AND MUST NOT BE USED EXCEPT IN CONNECTION WITH KOHLER CO. WORK. ALL RIGHTS OF DESIGN OR INVENTION ARE RESERVED.
A	03-30-17	(A-6/5) 800.0 [31.50] WAS 1040.7 [40.97], 1500.0 [59.06] WAS 2289.9 [90.15], 2400.0 [94.49] WAS 2840.7 [111.84]; SEE SHEET 2; (C-6) 4104.2 [161.58] WAS 4126.1 [162.44] & SPRING ISOLATORS REMOVED; SEE SHEET 2 [CT17275]	SAK	THIRD ANGLE PROJECTION	SAK	10-17-15	<b>DIMENSION PRINT, 500REZK</b>
					CHECKED	VPP	SCALE 0.40 CAD NO.
					APPROVED	RAM	DWG NO. <b>ADV-8827</b> SHEET 1 of 3

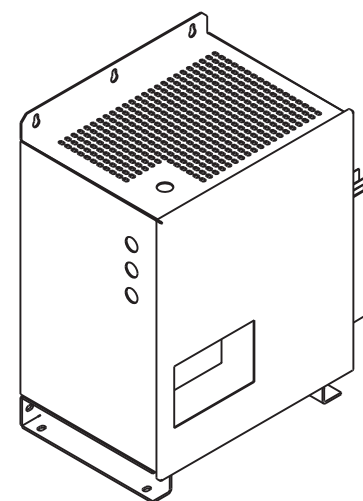
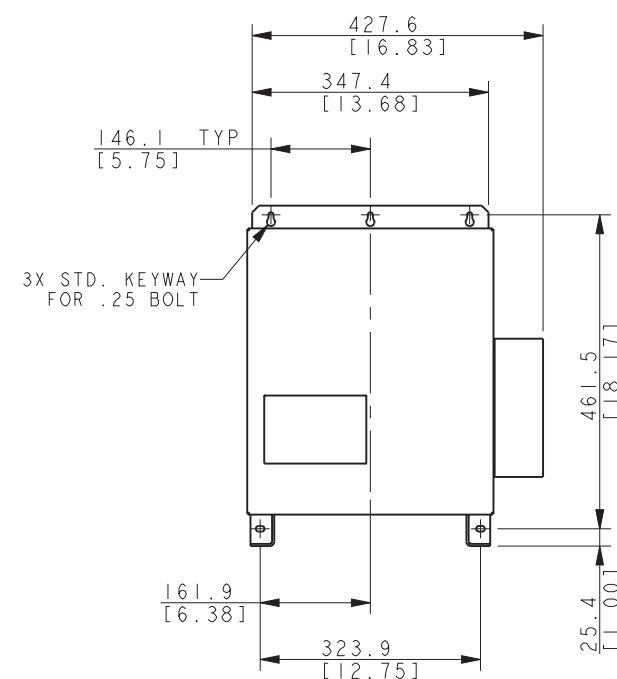




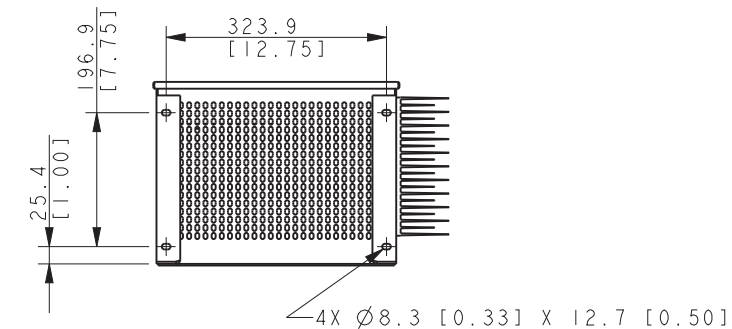
DETAIL D  
FUEL INLET  
USE WITH DN 80 / DIN 2576



FUEL SUPPLY  
SEE DETAIL D



BATTERY CHARGER  
MOUNTING DETAIL



REV	DATE	ON COMPOSITE DWGS. SEE PART NO. FOR REVISION LEVEL	BY	UNLESS OTHERWISE SPECIFIED - 1) DIMENSIONS ARE IN MILLIMETERS 2) TOLERANCES ARE:	<b>KOHLER CO. METRIC PRO-E</b> POWER SYSTEMS, KOHLER, WI 53044 U.S.A. THIS DRAWING IN DESIGN AND DETAIL IS KOHLER CO. PROPERTY AND MUST NOT BE USED EXCEPT IN CONNECTION WITH KOHLER CO. WORK. ALL RIGHTS OF DESIGN OR INVENTION ARE RESERVED.
-	10-19-15	NEW DRAWING [ ]	SAK	X.XX ± 0.25 X.X ± 1.0 X ± 1.5 ANGLES ± 0° 30'	
A	03-30-17	SEE SHEET 1 & 2 [CT172725]	SAK	THIRD ANGLE PROJECTION	<b>TITLE</b> DIMENSION PRINT, 500REZK
				APPROVALS	SCALE 0.40 CAD NO. SHEET 3 of 3 DWG NO. <b>ADV-8827</b>
				DATE	<b>D</b>
				APPROVED	