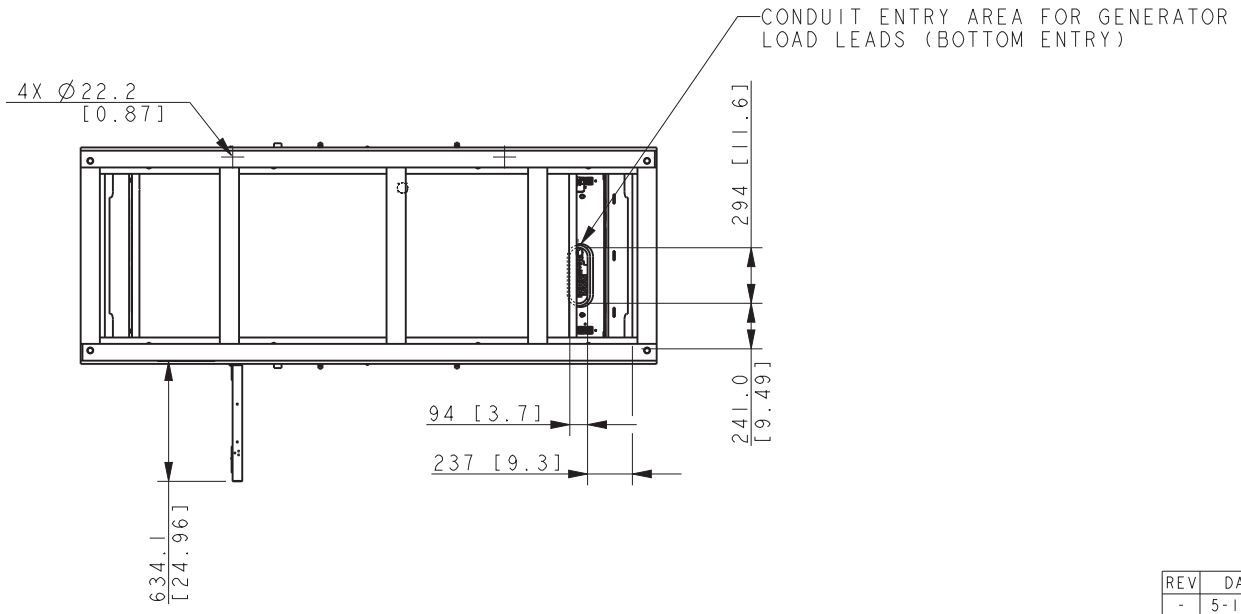
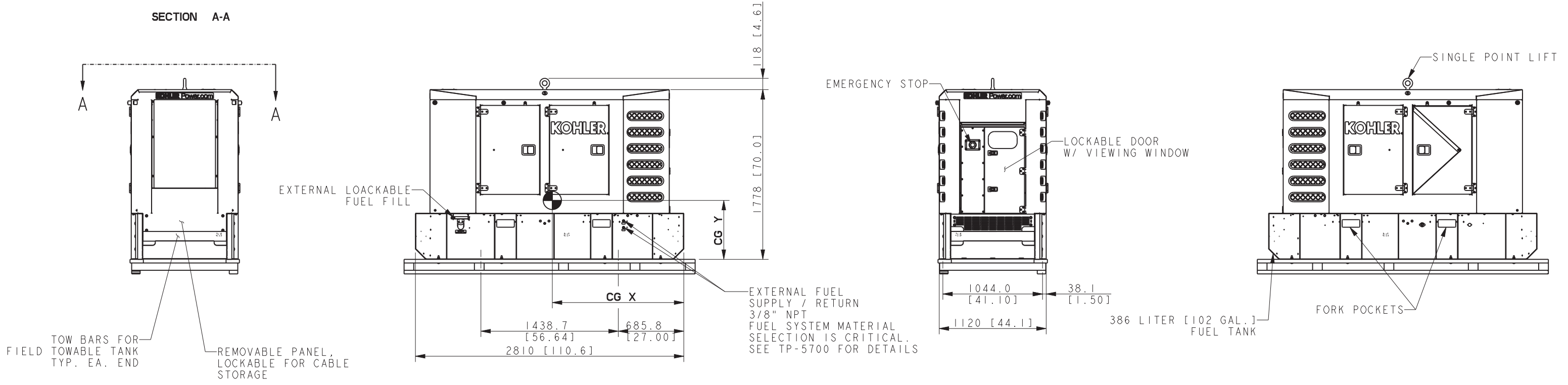
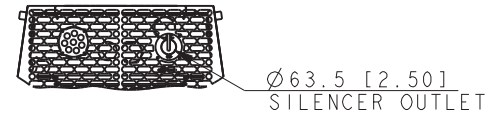


CENTER OF GRAVITY DIMENSIONS			WEIGHT DRY KG [LBS]	WEIGHT WET KG [LBS]
MODEL	CG X	CG Y		
48REOZK4	1377 [54.2]	617 [24.3]	1973 [4350]	2000 [4410]



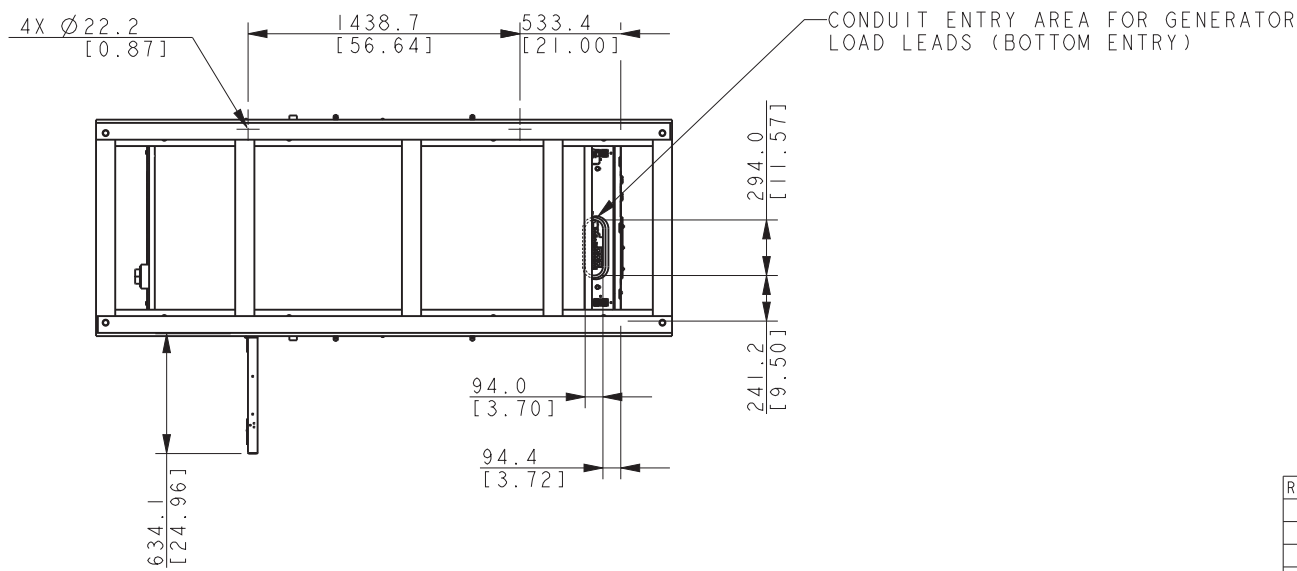
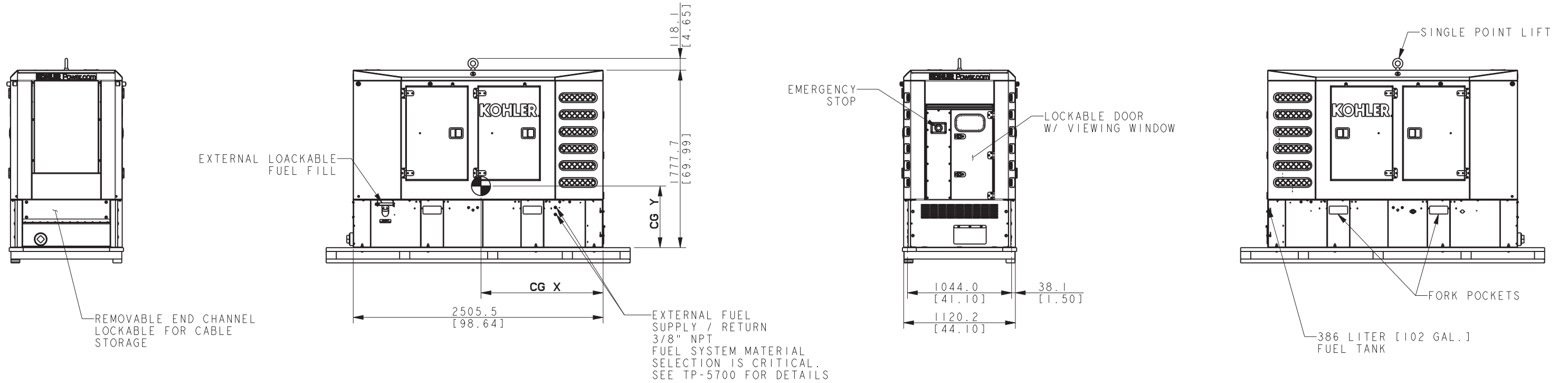
WET WEIGHT INCLUDES ENGINE FLUIDS, EXCLUDING FUEL AND DEF WEIGHT.
DIMENSIONS IN [] ARE ENGLISH EQUIVALENTS

FIELD DRAGGABLE
48REOZK4

REV	DATE	ON COMPOSITE DWGS. SEE PART NO. FOR REVISION LEVEL	BY	UNLESS OTHERWISE SPECIFIED - 1) DIMENSIONS ARE IN MILLIMETERS 2) TOLERANCES ARE:	APPROVALS	DATE
-	5-18-15	NEW DRAWING [CT113610]	TAK	X.XX ± 0.25	ASB	5-18-15
A	9-29-17	(B-2) VIEW ADDED & (C-2) VIEW REARRANGED [CT177004]	SRM	X.X ± 1.0 X ± 1.5 ANGLES ± 0° 30' MAX.	TAK	5-18-15
B	2-23-18	(C-4) EXTERNAL FUEL SYSTEM NOTE UPDATED [CT183599]	SAK	THIRD ANGLE PROJECTION	CEK	5-18-15
C	04OCT2023	(C-3,4) 38.1 & 1044.0 ADDED; SEE SHEET 2 [CT230504]	ASB		WDG	5-18-15

KOHLER CO. METRIC PRO-E	
POWER SYSTEMS, KOHLER, WI 53044 U.S.A.	
THIS DRAWING IN DESIGN AND DETAIL IS KOHLER CO. PROPERTY AND MUST NOT BE USED EXCEPT IN CONNECTION WITH KOHLER CO. WORK. ALL RIGHTS OF DESIGN OR INVENTION ARE RESERVED.	
TITLE DIMENSION PRINT, 48REOZK4	
SCALE 0.05	CAD NO.
DWG NO. ADV-8775	SHEET 1 of 2

CENTER OF GRAVITY DIMENSIONS			WEIGHT DRY KG [LBS]	WEIGHT WET KG [LBS]
MODEL	CG X	CG Y		
48REOZK4	1225 [48.2]	617 [24.3]	1961 [4324]	1989 [4384]



WET WEIGHT INCLUDES ENGINE FLUIDS, EXCLUDING FUEL AND DEF WEIGHT.
DIMENSIONS IN [] ARE ENGLISH EQUIVALENTS

STANDARD TOWABLE
48REOZK4

REV	DATE	ON COMPOSITE DWGS, SEE PART NO. FOR REVISION LEVEL	BY	UNLESS OTHERWISE SPECIFIED - 1) DIMENSIONS ARE IN MILLIMETERS 2) TOLERANCES ARE:	APPROVALS	DATE
-	5-18-15	NEW DRAWING [CT113610]	TAK	X.XX ± 0.25		
A	9-29-17	SEE SHEET 1 [CT177004]	SRM	X.X ± 1.0		
B	2-23-18	(C-4) EXTERNAL FUEL SYSTEM NOTE UPDATED [CT183599]	SAK	X ± 1.5		
C	04OCT2023	(C-3,4) 38.1 & 1044.0 ADDED; SEE SHEET 1 [CT230504]	ASB	ANGLES ± 0° 30' MAX.		

THIRD ANGLE PROJECTION	
APPROVALS	DATE
DRAWN TAK	5-18-15
CHECKED CEK	5-18-15
APPROVED WDG	5-18-15

KOHLER CO. METRIC PRO-E	
POWER SYSTEMS, KOHLER, WI 53044 U.S.A.	
THIS DRAWING IN DESIGN AND DETAIL IS KOHLER CO. PROPERTY AND MUST NOT BE USED EXCEPT IN CONNECTION WITH KOHLER CO. WORK. ALL RIGHTS OF DESIGN OR INVENTION ARE RESERVED.	
TITLE: DIMENSION PRINT, 48REOZK4	
SCALE 0.07	CAD NO. SHEET 2 of 2
DWG NO. ADV-8775	D