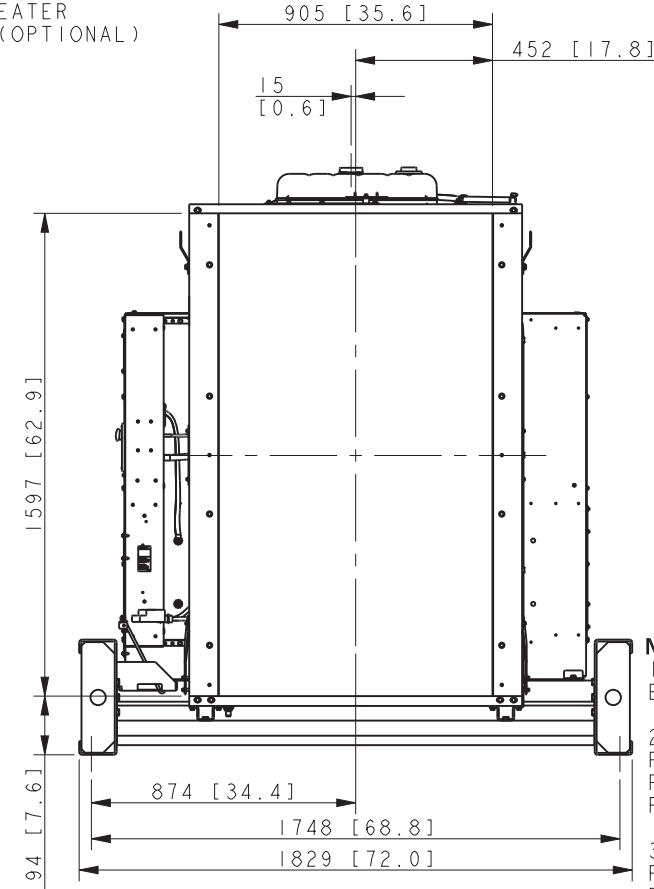
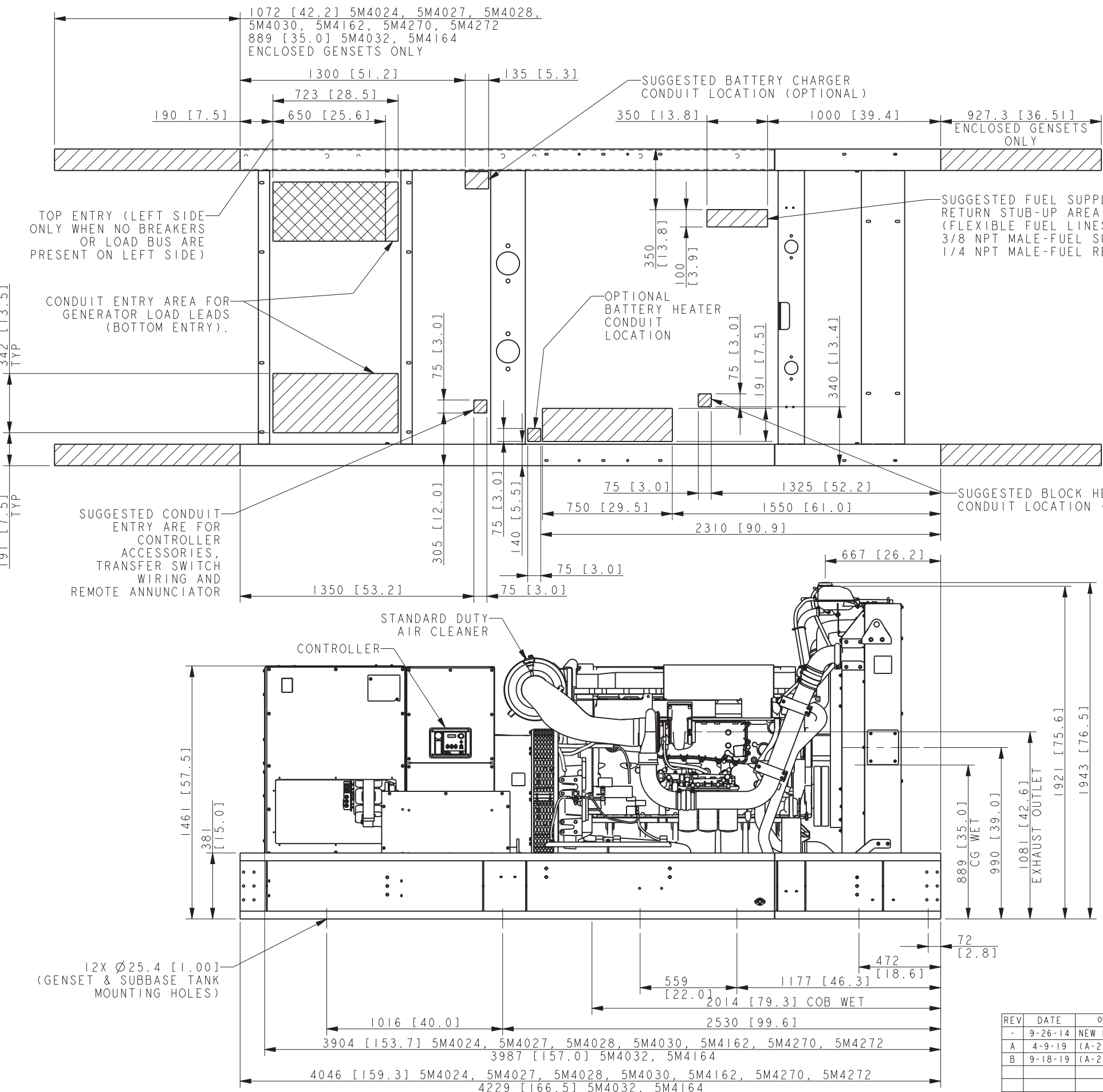


MODEL	ALTERNATOR FRAME	CONNECTION	GENSET WEIGHT (WET)
500 50/60 HZ	5M4024	10 LEAD	3778 KG [8330 LBS]
500 50/60 HZ	5M4027	12 LEAD	3828 KG [8440 LBS]
500 50/60 HZ	5M4028	10 LEAD	3924 KG [8650 LBS]
500 50/60 HZ	5M4030	10 LEAD	3924 KG [8650 LBS]
500 50/60 HZ	5M4032	10 LEAD	4082 KG [9000 LBS]
500 60 HZ	5M4162	4 LEAD	3828 KG [8440 LBS]
500 60 HZ	5M4164	4 LEAD	4082 KG [9000 LBS]
500 60 HZ	5M4270	4 LEAD	3828 KG [8440 LBS]
500 60 HZ	5M4272	4 LEAD	3924 KG [8650 LBS]

INSTALLATION NOTE
 IF SUBBASE FUEL TANK AND/OR ENCLOSURE IS USED, REFER TO SUBBASE FUEL TANK/ENCLOSURE ADV TO DETERMINE MOUNTING LOCATIONS.



NOTES:
 1) DIMENSIONS IN [] ARE ENGLISH EQUIVALENTS.
 2) IF AN ENCLOSURE IS USED THE FUEL LINE MUST BE STUBBED UP FROM DIRECTLY UNDER THE UNIT. REFER TO ENCLOSURE ADV.
 3) IF IBC CERTIFICATION IS REQUIRED SEE SEISMIC ADV FOR INSTALLATION INSTRUCTIONS.

REV	DATE	ON COMPOSITE DWGS. SEE PART NO. FOR REVISION LEVEL	BY	UNLESS OTHERWISE SPECIFIED: ALL DIMENSIONS IN MILLIMETERS GENERAL TOLERANCES: N/A
-	9-26-14	NEW DRAWING [CT92986]	SAM	
A	4-9-19	(A-2) TOLERANCES REMOVED [CT194818]	SUD	
B	9-18-19	(A-2) DIMENSION 1829 [72.0] ADDED [CT198657]	HM	

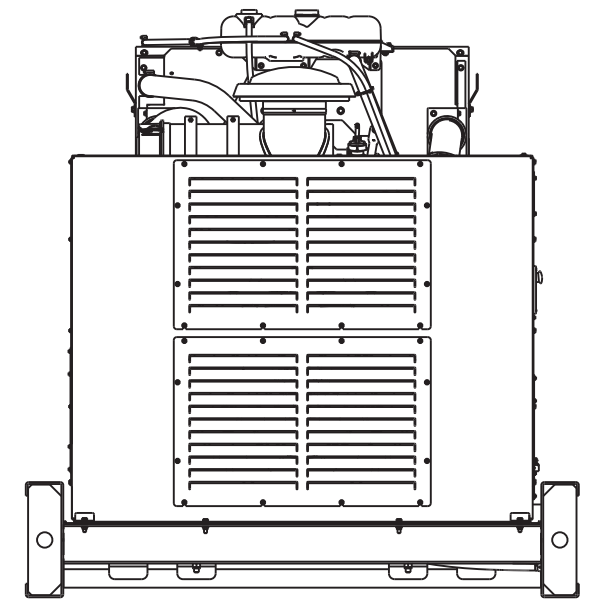
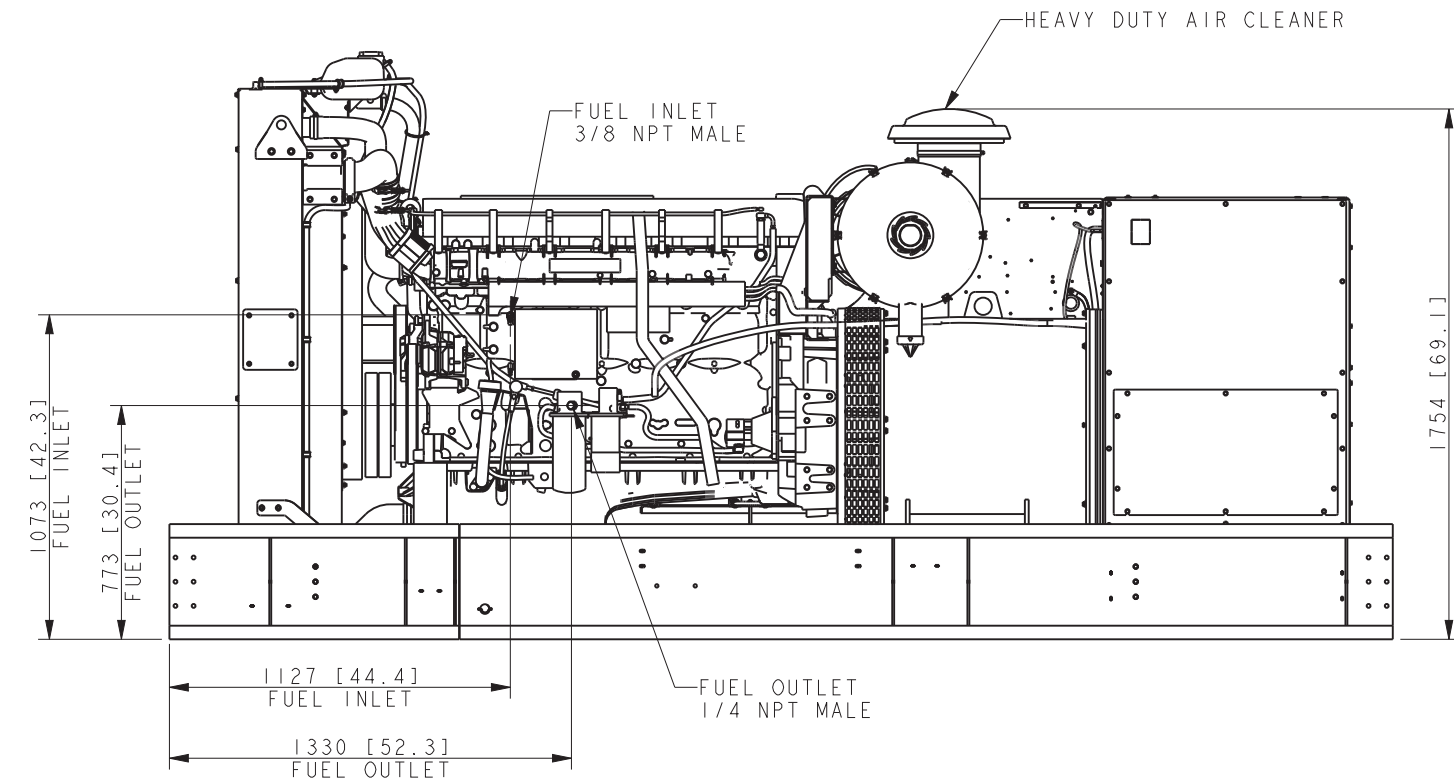
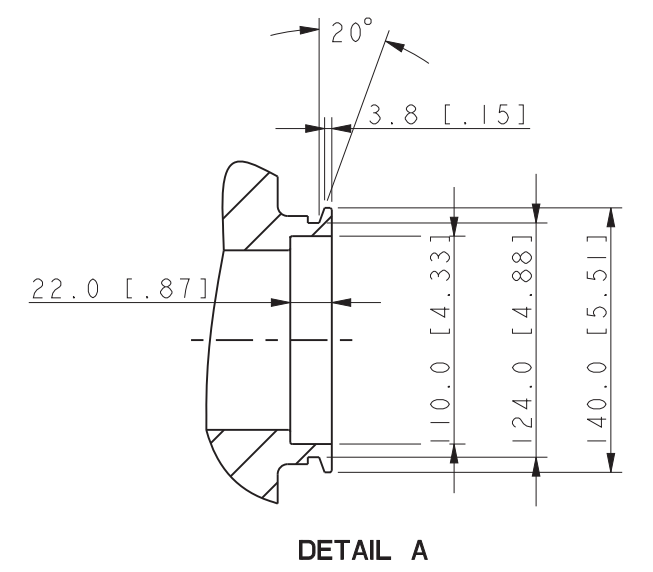
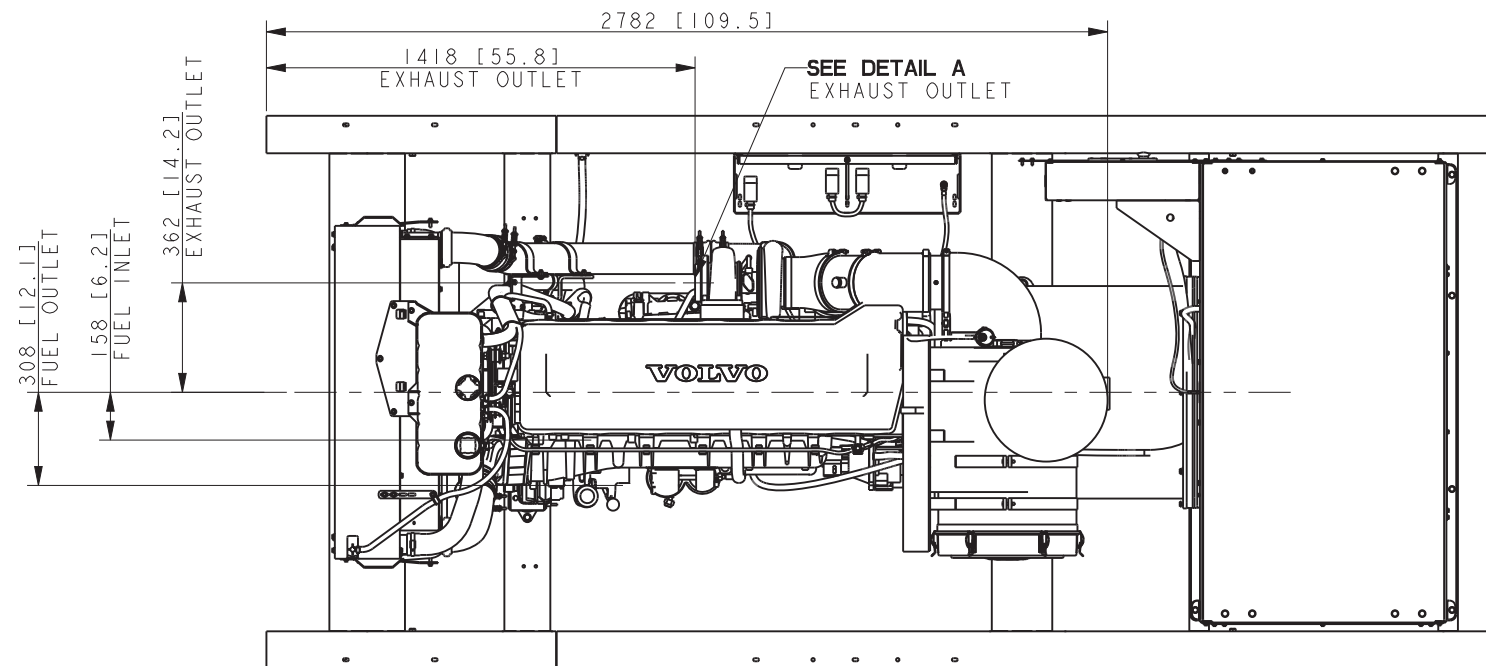
KOHLER CO. METRIC PRO-E
 POWER SYSTEMS, KOHLER, WI 53044 U.S.A.
 THIS DRAWING IN DESIGN AND DETAIL IS KOHLER CO. PROPERTY AND MUST NOT BE USED EXCEPT IN CONNECTION WITH KOHLER CO. WORK. ALL RIGHTS OF DESIGN OR INVENTION ARE RESERVED.

TITLE
 DIMENSION PRINT, 500 KW VOLVO

SCALE 0.08 CAD NO. SHEET 1 of 2
 DWG NO. ADV-8745

APPROVALS DATE
 DRAWN SAM 9-26-14
 CHECKED SAM 9-26-14
 APPROVED PBT 9-26-14

500-550 MODEL 50/60 HZ
 5M4024, 5M4027, 5M4028, 5M4030, 5M4032
 5M4162, 5M4164, 5M4270, 5M4272
 RECONN., 380V, 600V ALTERNATORS, VOLVO



REV	DATE	ON COMPOSITE DWGS. SEE PART NO. FOR REVISION LEVEL	BY
-	9-26-14	NEW DRAWING [CT92986]	SAM
A	4-9-19	(A-2) TOLERANCES REMOVED [CT194818]	SUD
B	9-18-19	SEE SHEET 1 [CT198657]	HM

APPROVALS	DATE
DRAWN SAM	9-26-14
CHECKED SAM	9-26-14
APPROVED PBT	9-26-14

UNLESS OTHERWISE SPECIFIED:
ALL DIMENSIONS IN MILLIMETERS
GENERAL TOLERANCES: N/A

KOHLER CO. METRIC PRO-E
POWER SYSTEMS, KOHLER, WI 53044 U.S.A.
THIS DRAWING IN DESIGN AND DETAIL IS KOHLER CO. PROPERTY AND MUST NOT BE USED EXCEPT IN CONNECTION WITH KOHLER CO. WORK. ALL RIGHTS OF DESIGN OR INVENTION ARE RESERVED.

TITLE: **DIMENSION PRINT, 500 KW VOLVO**

SCALE: 0.08 | CAD NO. | SHEET 2 of 2

DWG NO. **ADV-8745** | **D**